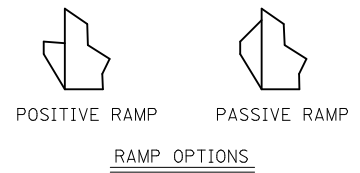
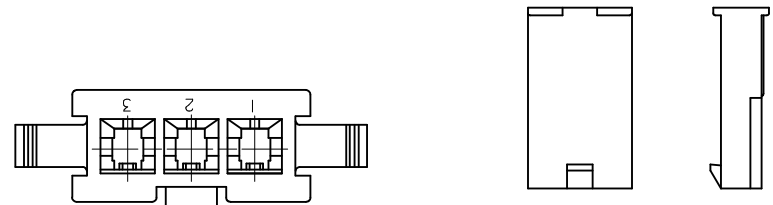
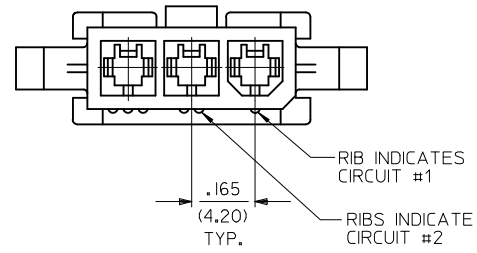
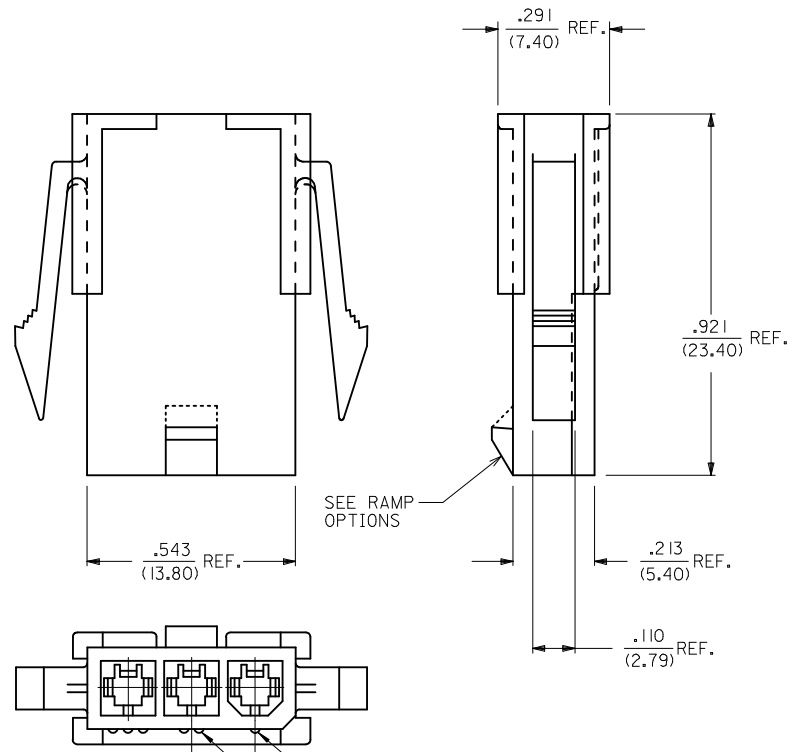


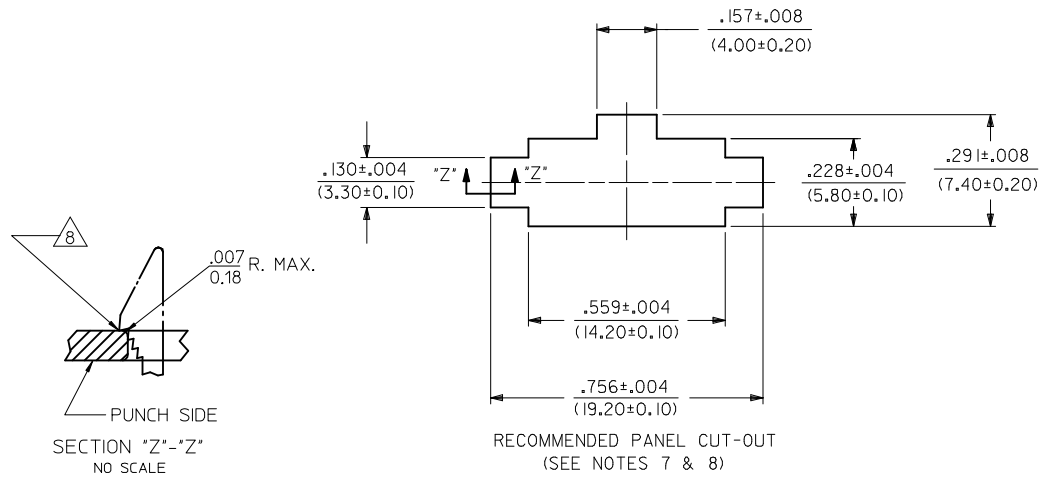
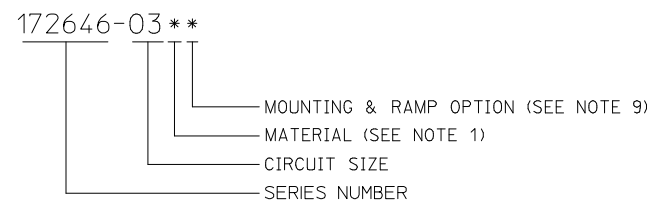
PART NO.	CKT. NO.	MOUNT OPTION	RAMP OPTION	COLOR
172646-0313	3	3	POSITIVE	BLACK
172646-0312	3	2	POSITIVE	BLACK
172646-0303	3	3	POSITIVE	BEIGE
172646-0302	3	2	POSITIVE	BEIGE



5559-03P3-***
WITHOUT MOUNTING EARS



LEGEND



- NOTES:
- MATERIAL:
 "0" = NYLON, UL94V-2, IEC 60335-1, 5TH EDITION GLOW WIRE CAPABLE, COLOR: NATURAL (BEIGE).
 "1" = NYLON, UL94V-2, IEC 60335-1, 5TH EDITION GLOW WIRE CAPABLE, COLOR: BLACK.
 - FINISH: NOT APPLICABLE
 - PRODUCT SPECIFICATION: PS-5556-001
 - PACKAGING: BULK PER PK-5559-003
 - THIS PART MATES WITH MOLEX RECEPTACLE #46994-03*2.
 - THIS PART IS FOR USE WITH MOLEX MALE TERMINAL NO. 5558-*.
 - PANEL MOUNT VERSION IS FOR USE WITH .031/.079 (0.80/2.00) THICK PANELS.
 - PANEL SHOULD BE PUNCHED IN THE DIRECTION OF CONNECTOR INSERTION.
 - MOUNTING & RAMP OPTION: 2 = WITH EARS, WITH POSITIVE RAMP
 3 = WITHOUT EARS, WITH POSITIVE RAMP
 4 = WITH EARS, WITH PASSIVE RAMP
 5 = WITHOUT EARS, WITH PASSIVE RAMP
 - CONNECTORS ARE NOT TO BE MATED OR UNMATED WHILE CIRCUITS ARE LIVE.
 - WIRES ARE TO BE DRESSED IN SUCH A MANNER TO ALLOW THE TERMINALS TO FLOAT FREELY IN THE POCKET.
 - PART CONFORMS TO CLASS 'B' REQUIREMENTS OF COSMETIC SPECIFICATION PS-45499-002 WITH THE EXCEPTION OF DISCOLORATION, FLASH AND SINK MEET CLASS 'C' REQUIREMENTS.
 - PART IS NOT DESIGNED FOR CURRENT SHARING.

ADD 172646-0302 EC NO: UCP2015-2734 DRAWINGS 2015/01/09 CHKD: 2015/01/19 APPR:FSMITH	QUALITY SYMBOLS	GENERAL TOLERANCES (UNLESS SPECIFIED)	DIMENSION STYLE	SCALE	DESIGN UNITS	THIRD ANGLE PROJECTION
	▽=0	mm INCH	IN/MM	4:1	METRIC	
	▽=0	4 PLACES ± --- ± ---	DRAWN BY DATE	TITLE		
	▽=0	3 PLACES ± --- ± .010	NGUYEN 2013/04/12	MINI-FIT JR. SERIES, 3 CKT. PLUG		
▽=0	2 PLACES ± 0.25 ± .015	CHECKED BY DATE	molex DOCUMENT NO. SD-172646-0001 SHEET NO. 1 OF 1			
▽=0	1 PLACE ± 0.38 ± ---	JBELL 2013/04/12				
▽=0	0 PLACE ± --- ± ---	APPROVED BY DATE	THIS DRAWING CONTAINS INFORMATION THAT IS PROPRIETARY TO MOLEX INCORPORATED AND SHOULD NOT BE USED WITHOUT WRITTEN PERMISSION			
REV: A3	ANGULAR ±1/2°	MATERIAL NO.				
	DRAFT WHERE APPLICABLE MUST REMAIN WITHIN DIMENSIONS	SEE CHART				