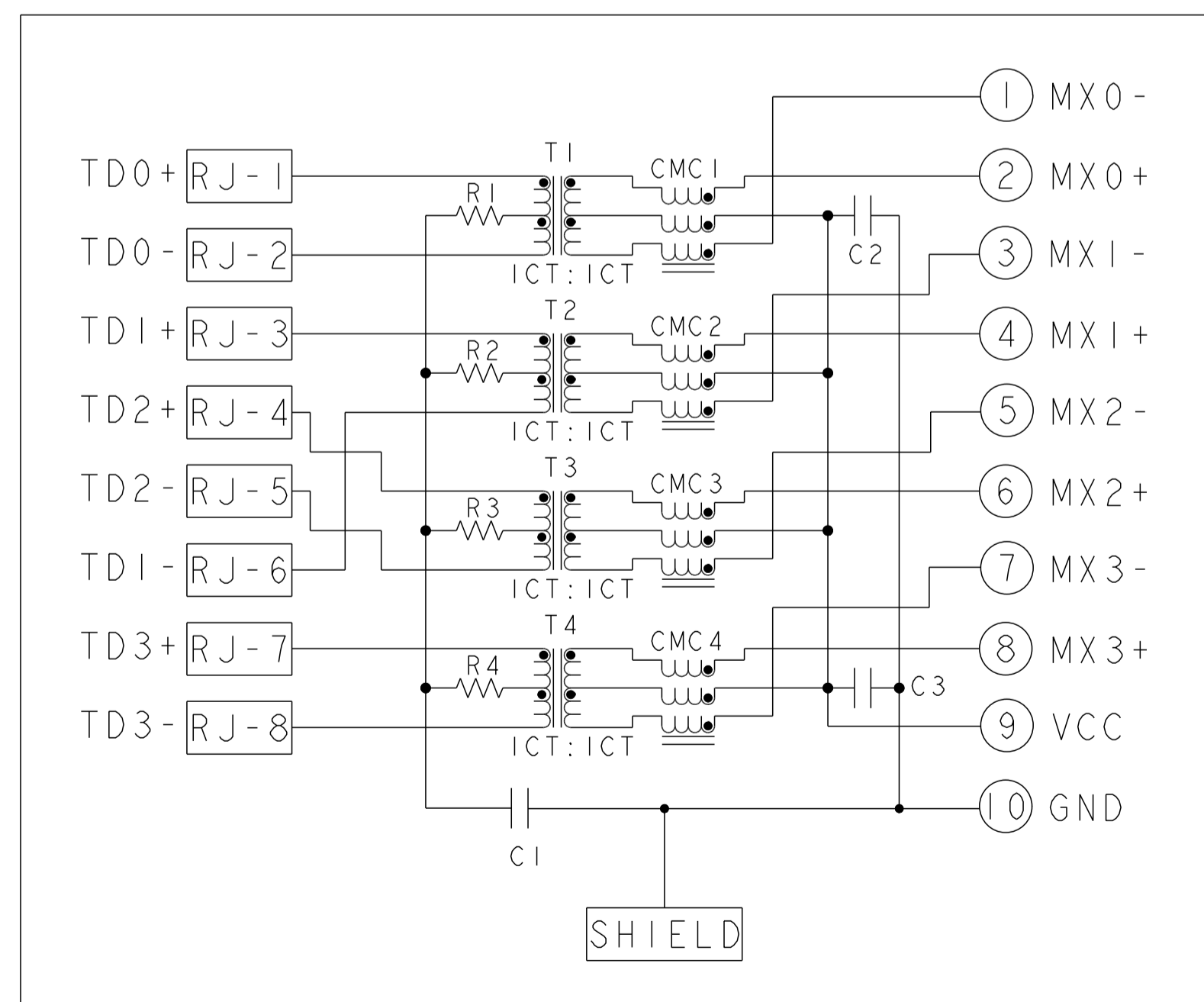


S8G56 GIGABIT CIRCUIT  
TOP AND BOTTOM PORTS



C1 = 1000pF, 2kV CAPACITOR  
 C2 - C3 = 10nF, 50V CAPACITORS  
 R1-R4 = 75 Ohms, 1/16 W, RESISTORS

- MATERIALS:**  
 PLASTIC HOUSING: BLACK, THERMOPLASTIC FLAMMABILITY RATING UL 94V-0  
 SHIELD: BRASS, PREPLATED WITH 0.76um MIN SEMI-BRIGHT NICKEL, POST DIPPED WITH 2.54um MIN SAC SOLDER OR PURE TIN SOLDER ON SOLDER TAILS  
 CONTACTS: PHOSPHOR BRONZE, 1.27um MIN OVERALL NICKEL UNDERPLATE WITH SELECTED 1.27um MIN GOLD OR WITH SELECT 0.05um MIN GOLD OVER 0.76um MIN PALLADIUM-NICKEL AT MATING INTERFACE AND 2.54um MIN MATTE TIN ON SOLDER TAILS.  
 LED: DIFFUSED EPOXY LENS, CARBON STEEL LEAD FRAME TAILS OF LED ARE PREPLATED WITH 2.03um MIN SILVER OVER 1.02um MIN NICKEL UNDERPLATE OVER 1.02um MIN COPPER UNDERPLATE, POST-PLATED WITH 2.54um MIN MATTE TIN AND/OR SAC SOLDER DIP OR PURE TIN SOLDER DIP
- MAGNETICS**  
 APPLICATION: 10/100/1000 BASE-T  
 IMPEDANCE: 100 OHMS  
 TURNS RATIO (CHIP:CABLE): 1:1 ALL FOUR PAIRS  
 OPEN CIRCUIT INDUCTANCE (OCL): 350uH MIN @100kHz, 0.1VRMS, 8mADC BIAS FROM 0°C TO 70°C, ALL FOUR PAIRS  
 ALL FOUR PAIRS BI-DIRECTIONAL  
 PERFORMANCE @ 25°C:  
 INSERTION LOSS (IL): 1.1dB MAX FROM 0.5MHz TO 100MHz  
 RETURN LOSS (RL): 18dB MIN FROM 0.5MHz TO 40MHz  
 12-20LOG(f/80)dB MIN FROM 40.1MHz TO 100MHz  
 CROSSTALK ATTENUATION: 35dB MIN FROM 0.5MHz TO 40MHz  
 33-20LOG(f/50)dB MIN FROM 40.1MHz TO 100MHz  
 COMMON MODE REJECTION RATIO (CMRR): 30dB MIN FROM 0.5MHz TO 100MHz  
 ISOLATION VOLTAGE: 2250VDC(MAX) FOR 60 SECONDS WITH A RISE TIME OF 500V/SEC AND WITH ALL PORTS CONNECTED.
- PART NUMBER, DATE CODE AND COUNTRY OF ORIGIN ARE LOCATED IN APPROXIMATE AREA SHOWN. DATE CODE: "YY" IS YEAR, "WW" IS WORK WEEK, "D" IS DAY OF WEEK, WITH SUNDAY=1
- TRP CONNECTOR LOGO AND AGENCY APPROVAL LOGO ARE LOCATED IN APPROXIMATE AREA SHOWN.
- OPERATING TEMP: FROM 0°C TO +70°C.
- RJ45 CAVITY CONFORMS TO FCC RULES AND REGULATION PART 68 SUBPART F.
- INDICATED MAGNETIC CONNECTIONS ARE SYMMETRICAL AND SUPPORT AUTO-MDI/MDIX.
- DATUM AND BASIC DIMENSION ESTABLISHED BY CUSTOMER.
- BASIC DIMENSION ESTABLISHED BY CUSTOMER, BUT MAY NOT BE GREATER THAN 5.08mm.
- LEDS ARE DRIVEN WITH CONSTANT CURRENT AT APPROX 20mA  
 LED COLOR: DOMINANT WAVELENGTH (λD): GREEN 568 nm TYP. @ IF=20mA  
 FORWARD VOLTAGE (VF): GREEN 2.2V TYP. @ IF=20mA  
 DOMINANT WAVELENGTH (λD): YELLOW 588 nm TYP. @ IF=20mA  
 FORWARD VOLTAGE (VF): YELLOW 2.1V TYP. @ IF=20mA
- THE PARTS ARE RECOMMENDED FOR WAVE SOLDERING PROCESS, PEAK TEMPERATURE 260°C MAX, 10 SECONDS MAX.

4.06	GRN/YEL	GRN/YEL	GRN/YEL	GRN/YEL	GRN/YEL	1-1840697-4
3.04	GRN/YEL	GRN/YEL	GRN/YEL	GRN/YEL	GRN/YEL	1840697-4
3.04	GREEN	YELLOW	GREEN	YELLOW	YELLOW	1840697-3
3.04	GREEN	GREEN	GREEN	GREEN	GREEN	1840697-1
DIM A	BOTTOM LED 2	BOTTOM LED 1	TOP LED 2	TOP LED 1		PART NUMBER

THIS DRAWING IS A CONTROLLED DOCUMENT.

DRW: TOMMY REN/CHEN MA 08MAR2012  
 CHK: TONY YUAN 08MAR2012  
 APVD: KEITH ZHU 08MAR2012

DIMENSIONS: mm  
 TOLERANCES UNLESS OTHERWISE SPECIFIED:  
 0 PLC ±0.25  
 1 PLC ±0.25  
 2 PLC ±0.25  
 3 PLC ±0.25  
 4 PLC ±  
 ANGLES ±

PRODUCT SPEC: 108-104004

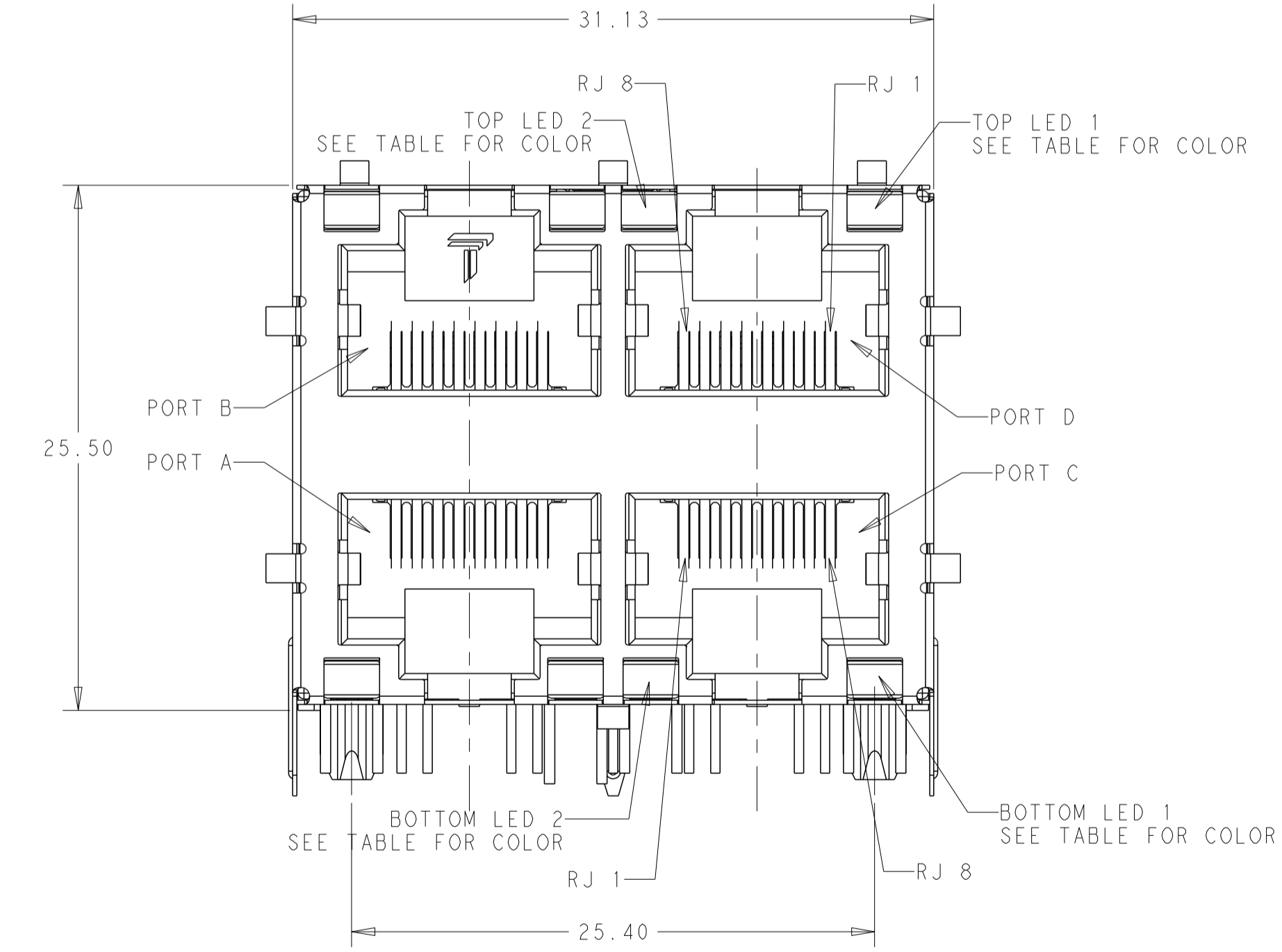
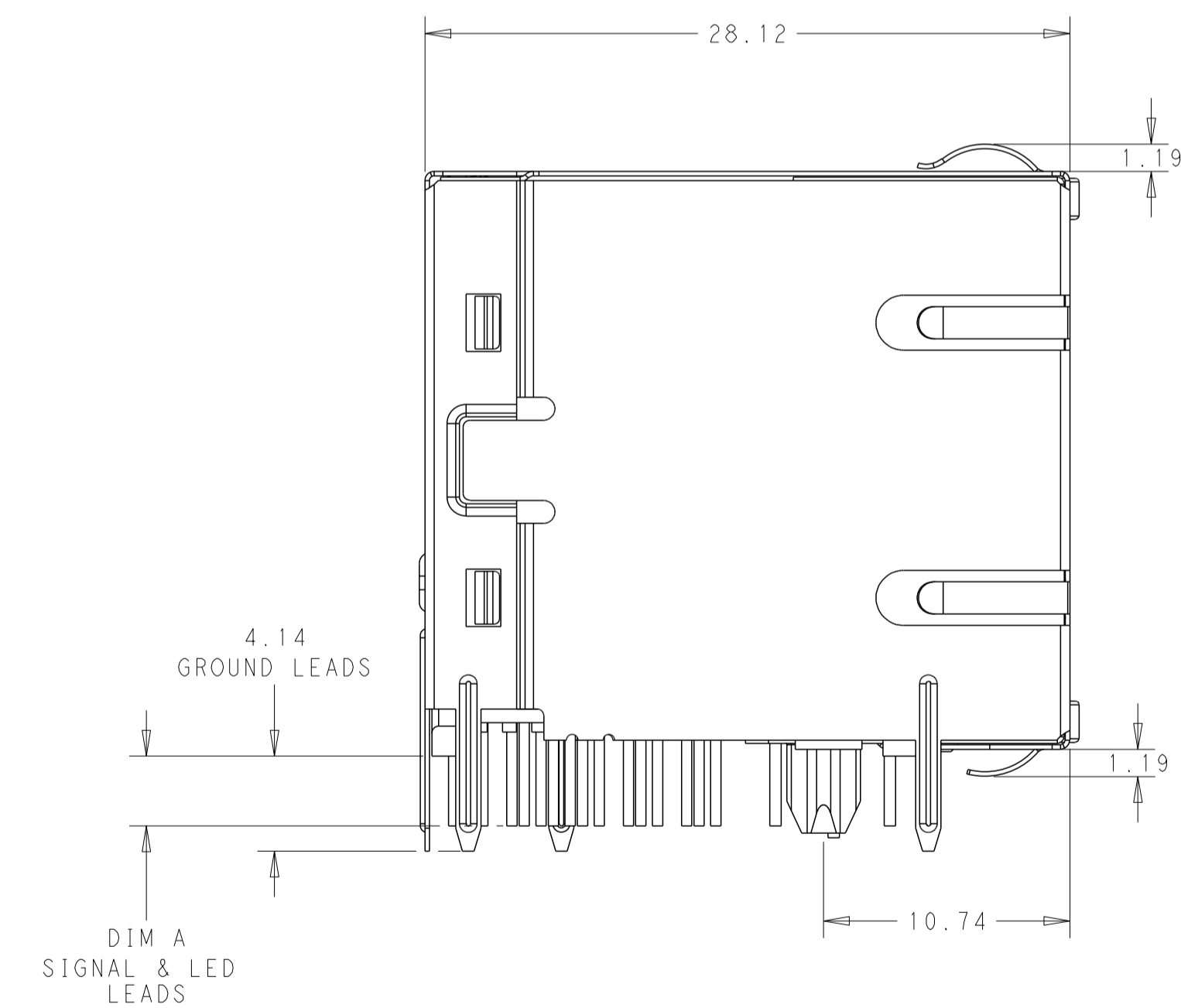
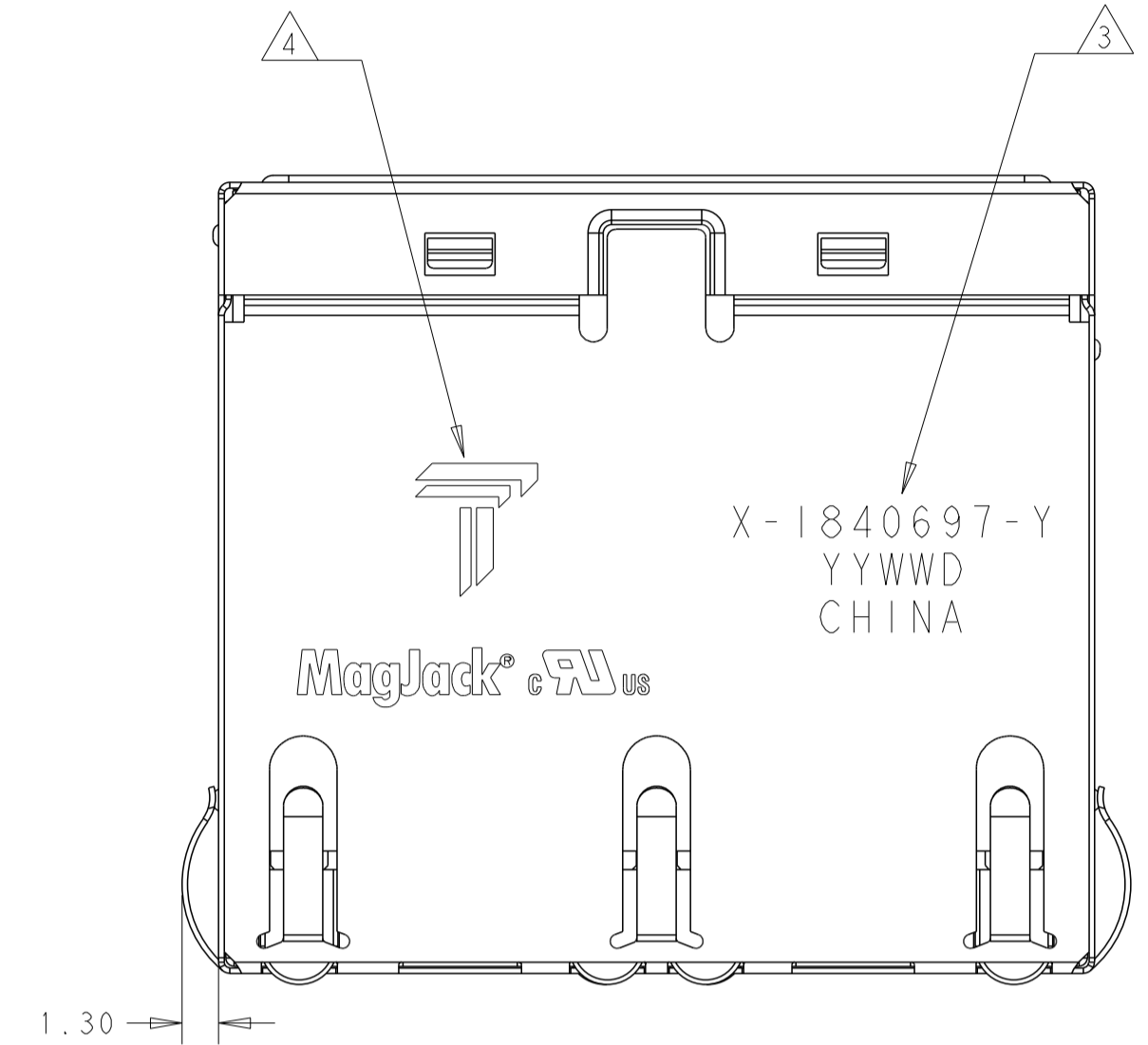
MODEL NAME: MAGJACK  
 DESC: 2X2 S8G56 GIGABIT W/ LED

SIZE: A1  
 CAGE CODE: C=1840697  
 DRAWING NO: 108-104004

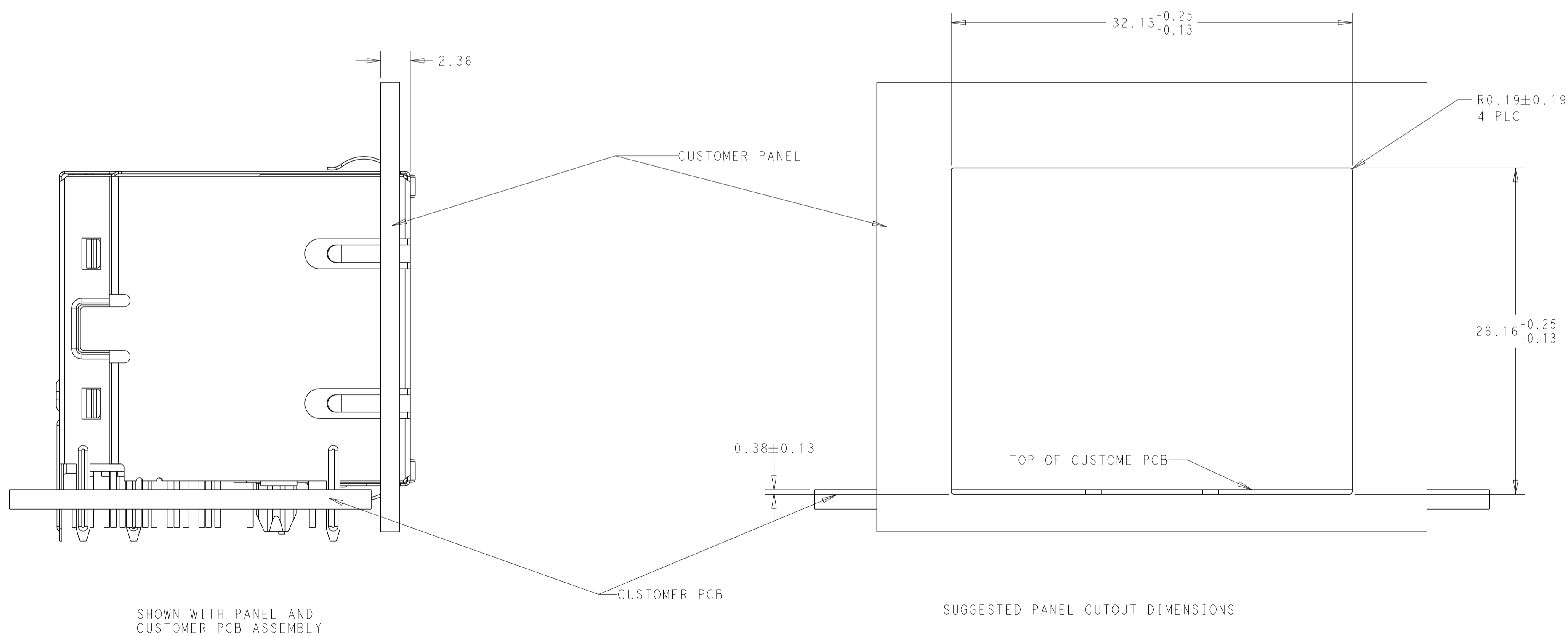
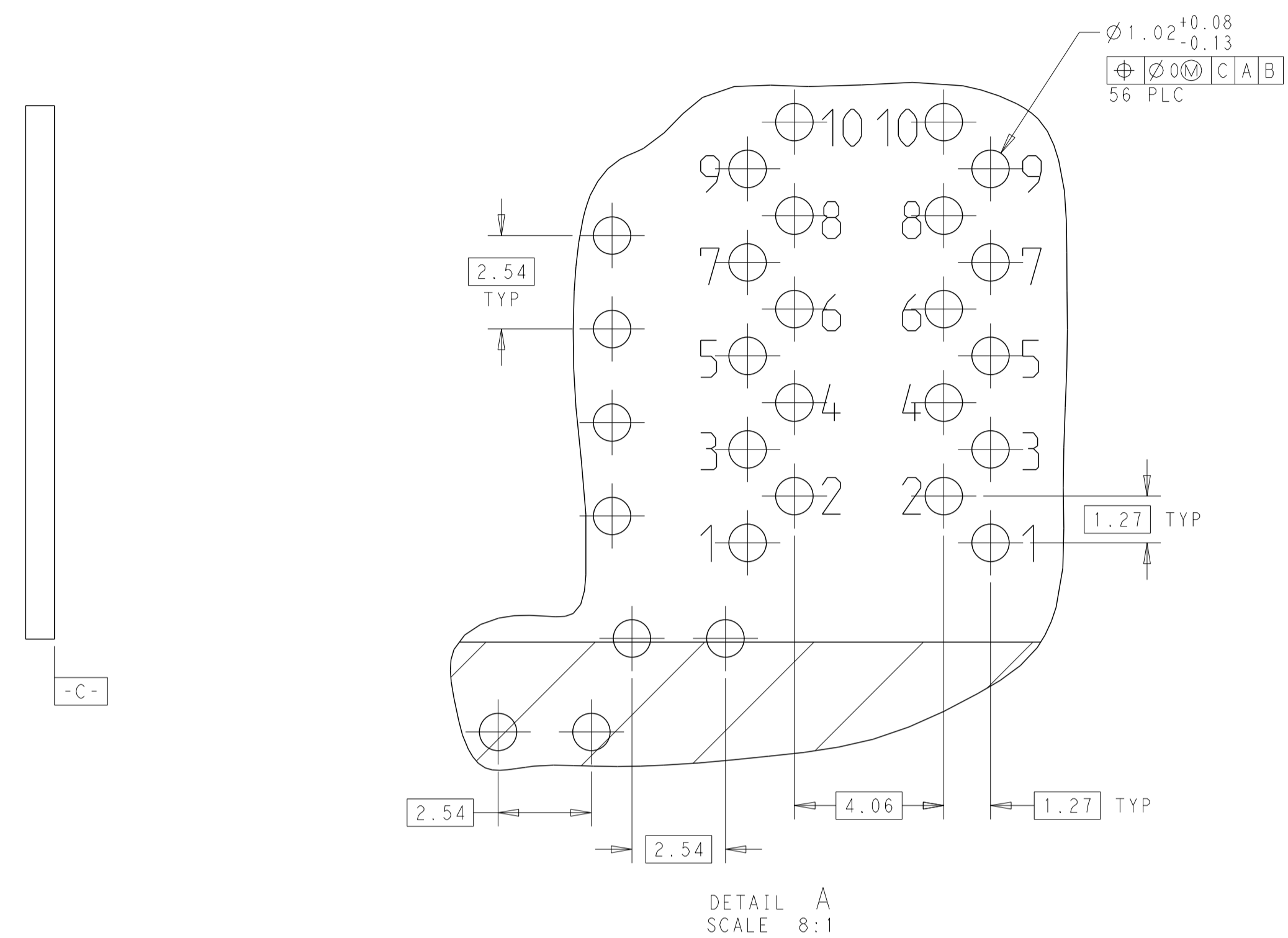
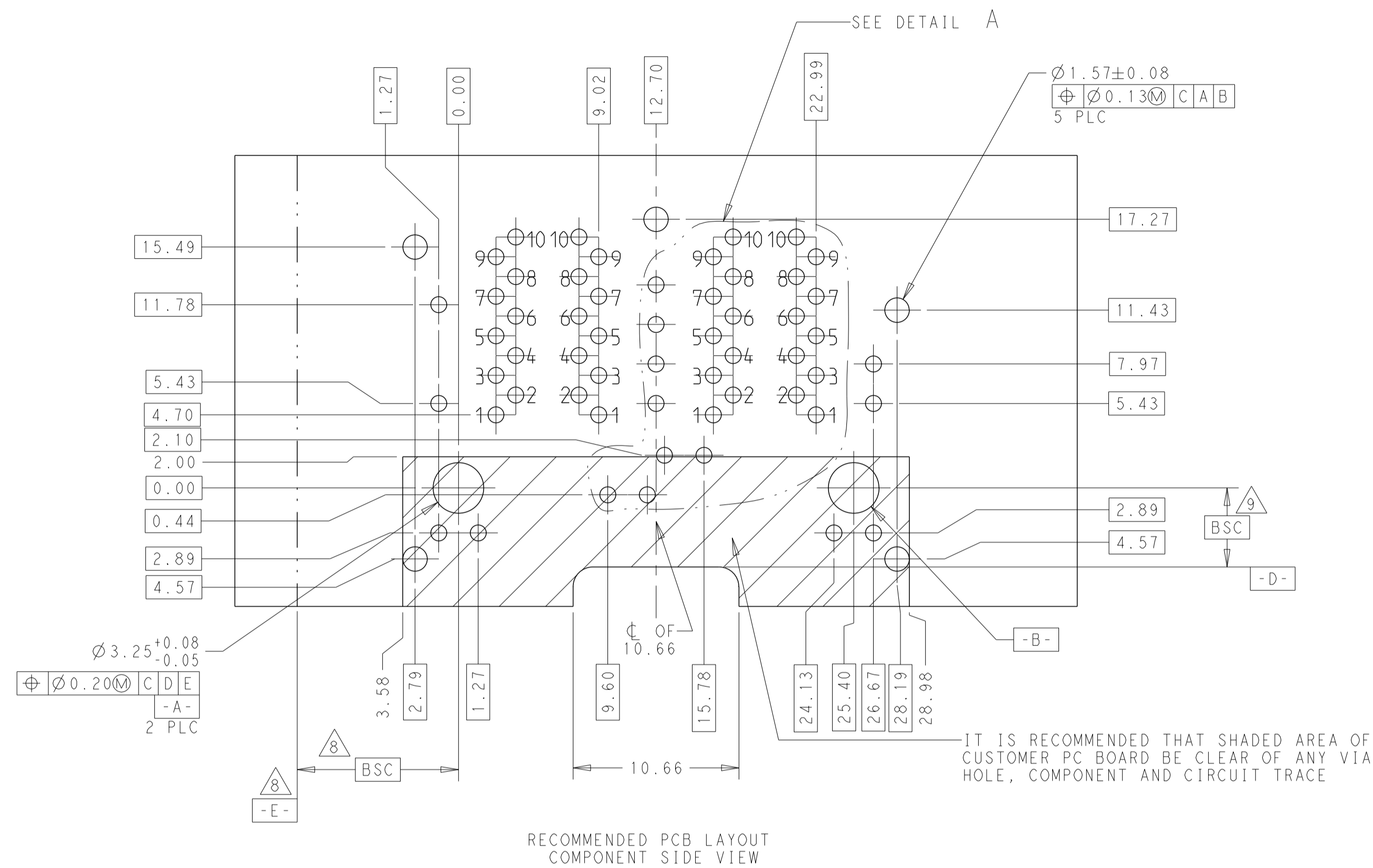
CUSTOMER DRAWING


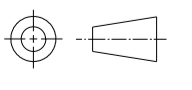
SCALE: 4:1  
 SHEET: 1 OF 4  
 REV: E

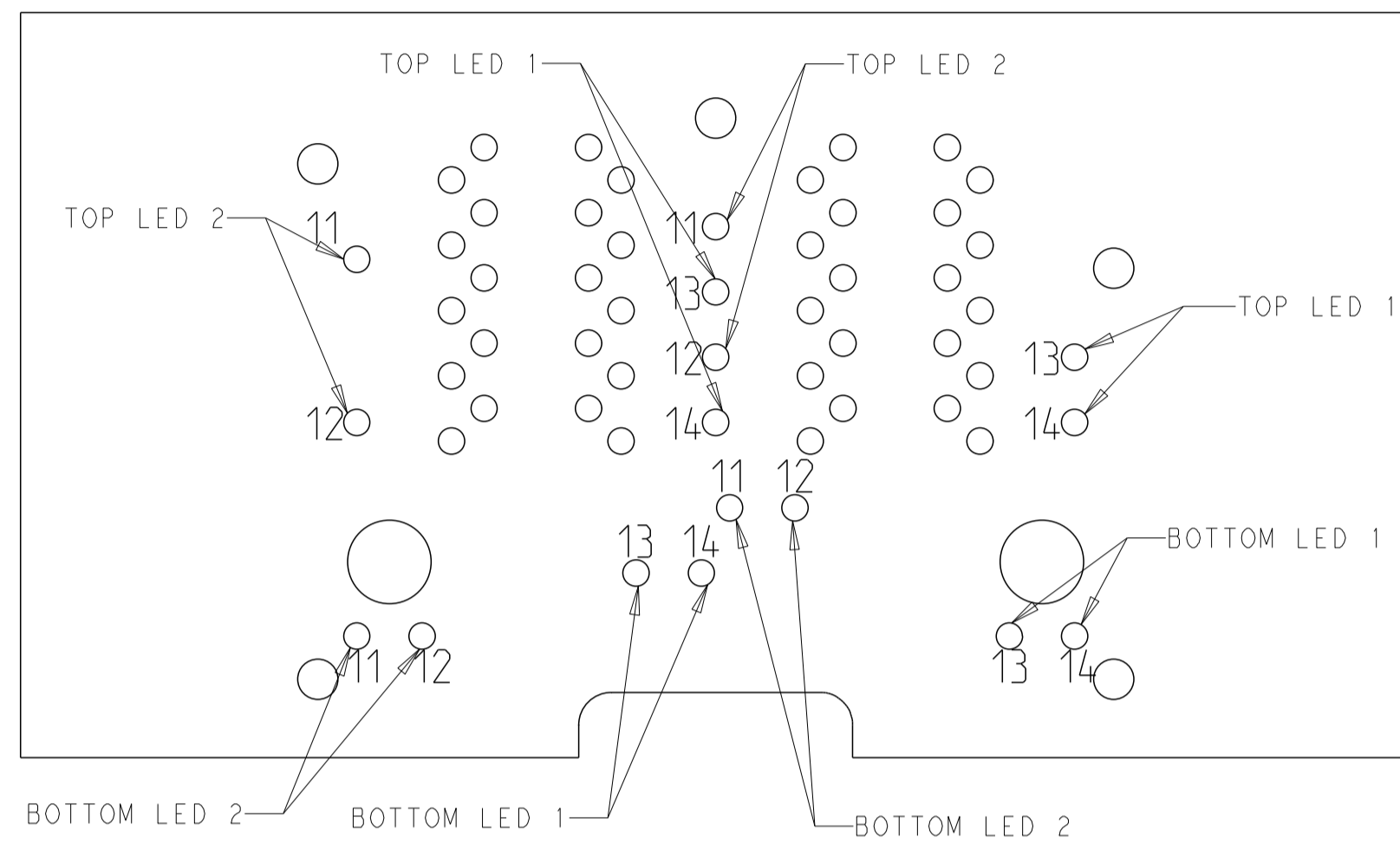
trp CONNECTOR  
 a bel group  
 DONGGUAN CHINA



THIS DRAWING IS A CONTROLLED DOCUMENT.		DWN: 08MAR2012 TOMMY REN/YUAN MA CHK: 08MAR2012 TONY YUAN APVD: 08MAR2012 KEITH ZHU MODEL NAME:		DONGGUAN CHINA
DIMENSIONS: mm 		TOLERANCES UNLESS OTHERWISE SPECIFIED: 0 PLC ±0.25 1 PLC ±0.25 2 PLC ±0.25 3 PLC ±0.25 4 PLC ± ANGLES ± APPLICATION SPEC ±		
PRODUCT SPEC: 108-104004		CUSTOMER DRAWING		SCALE: 4:1 SHEET: 2 OF 4 REV: E

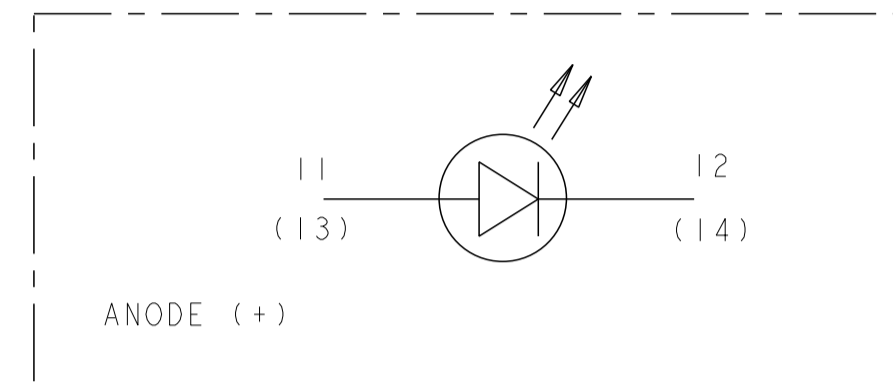


THIS DRAWING IS A CONTROLLED DOCUMENT.		DW: 08MAR2012 TOMMY REN/EVAN MA		 <b>trp</b> CONNECTOR a bel group DONGGUAN CHINA	
DIMENSIONS: mm		CHK: 08MAR2012 TONY YUAN			
TOLERANCES UNLESS OTHERWISE SPECIFIED:		APD: 08MAR2012 KEITH ZHU		DESC: 2X2 S8G56 GIGABIT W/ LED	
		0 PLC ±0.25 1 PLC ±0.25 2 PLC ±0.25 3 PLC ±0.25 4 PLC ± ANGLES ±		MODEL NAME: MAGJACK	
PRODUCT SPEC: 108-104004		APPLICATION SPEC: -		SIZE: A1	
CUSTOMER DRAWING		SCALE: 4:1		SHEET 3 OF 4 REV E	

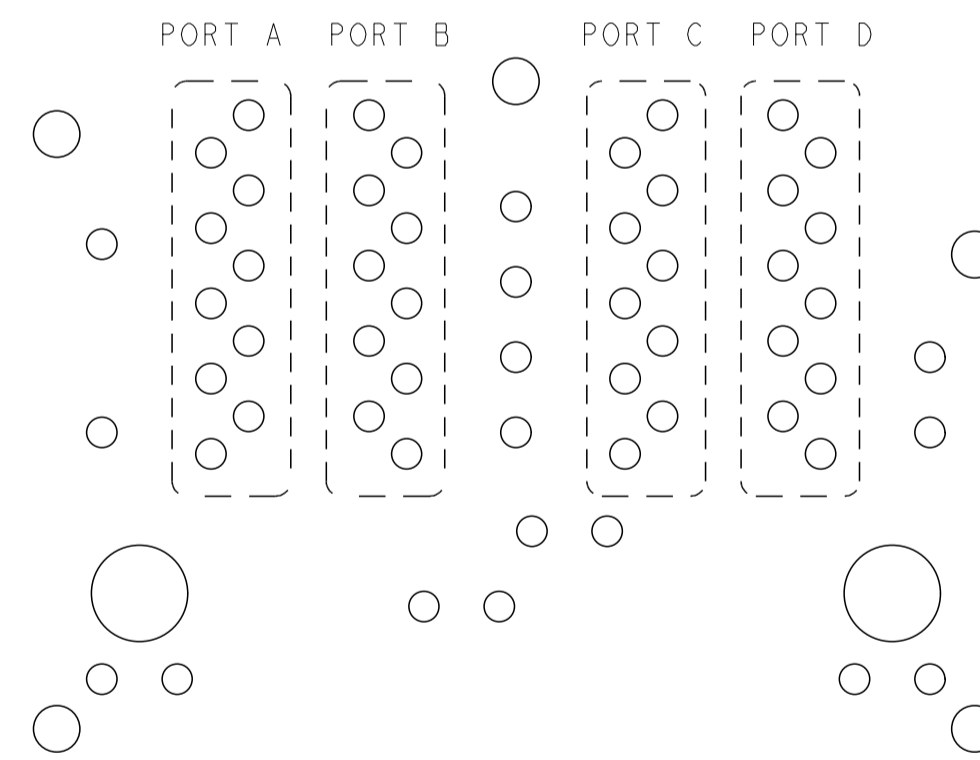
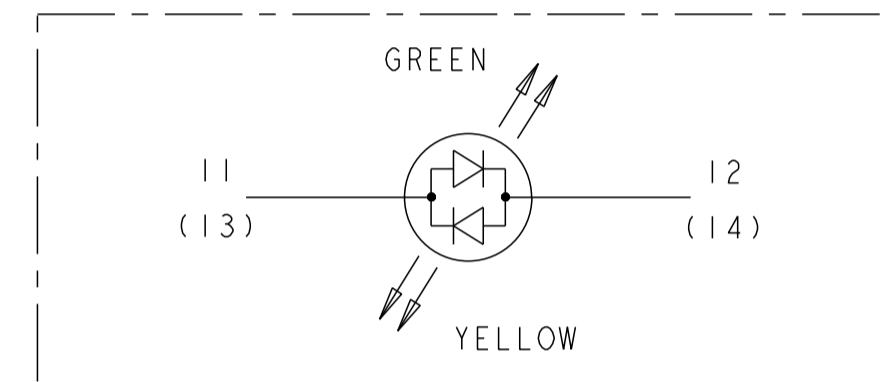


LED HOLE DESIGNATIONS  
VIEWED FROM COMPONENT SIDE


SINGLE COLOR LED



BI-COLOR LED



PORT ASSIGNMENT  
COMPONENT SIDE VIEW

THIS DRAWING IS A CONTROLLED DOCUMENT.		DW: TOMMY REN/EVAN MA 08MAR2012		 <b>trp</b> CONNECTOR <small>a bel group</small>		DONGGUAN CHINA	
DIMENSIONS: mm		CHK: TONY YUAN 08MAR2012				DESC: 2X2 S8G56 GIGABIT W/ LED	
TOLERANCES UNLESS OTHERWISE SPECIFIED:		APVD: KEITH ZHU 08MAR2012		MODEL NAME: MAGJACK		SIZE: A1	
0 PLC ±0.25		1 PLC ±0.25		STACK Non-PoE		DRAWING NO: C=1840697	
2 PLC ±0.25		3 PLC ±		CUSTOMER DRAWING		SCALE: 4:1	
4 PLC ±		ANGLES ±		SHEET: 4 OF 4		REV: E	
PRODUCT SPEC: 108-104004		APPLICATION SPEC: -					