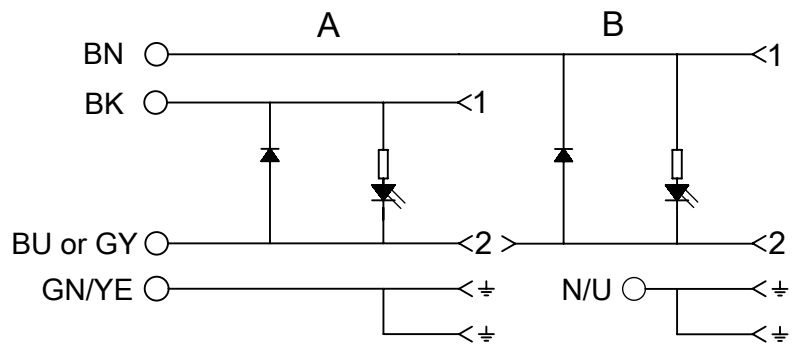
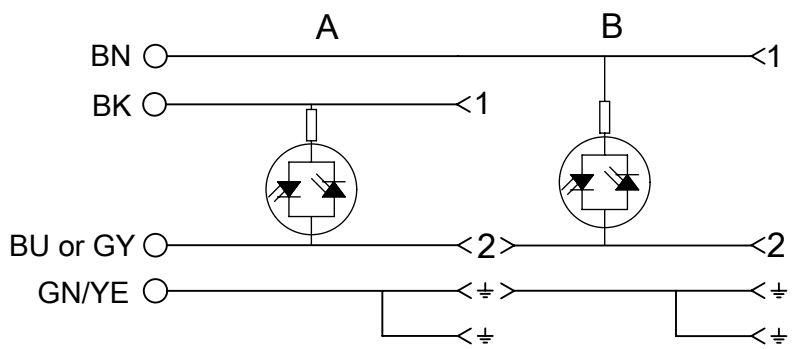


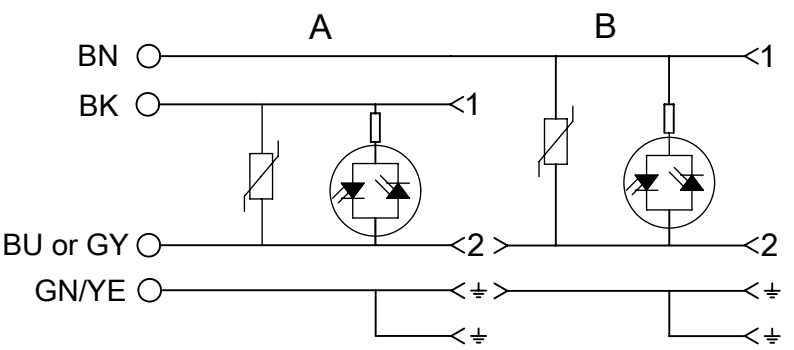
ELECTRICAL DIAGRAM - C3



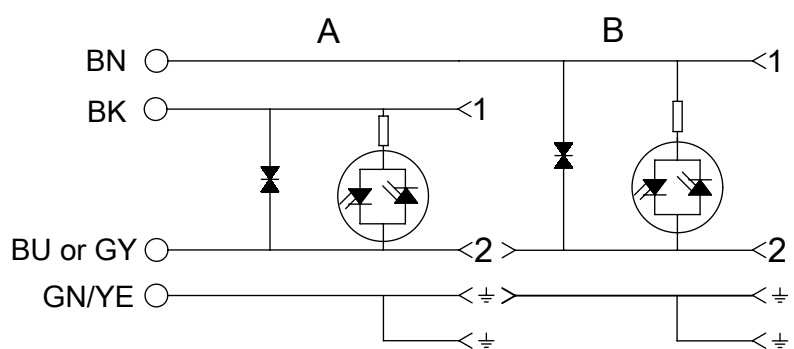
ELECTRICAL DIAGRAM - A1



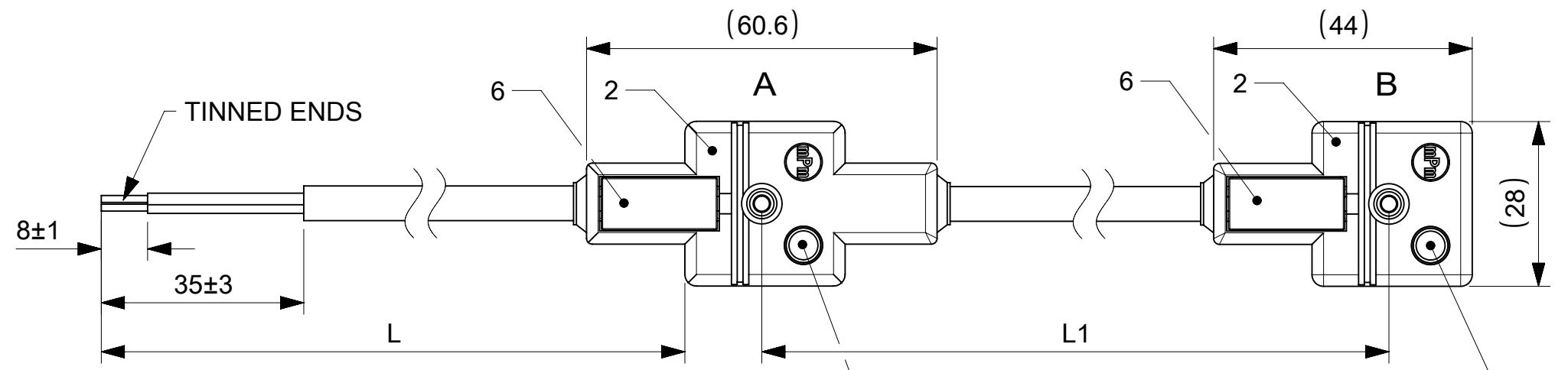
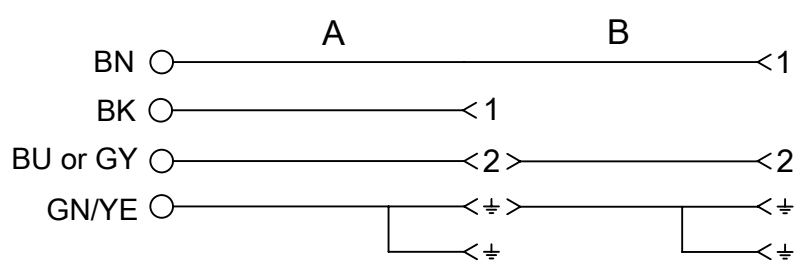
ELECTRICAL DIAGRAM - C4



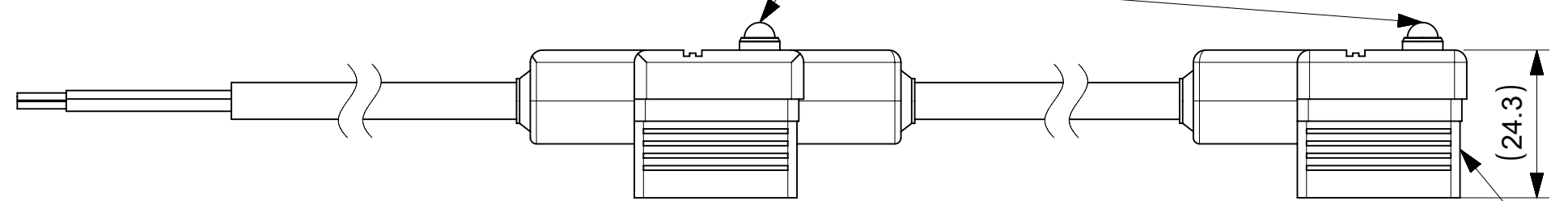
ELECTRICAL DIAGRAM - S0



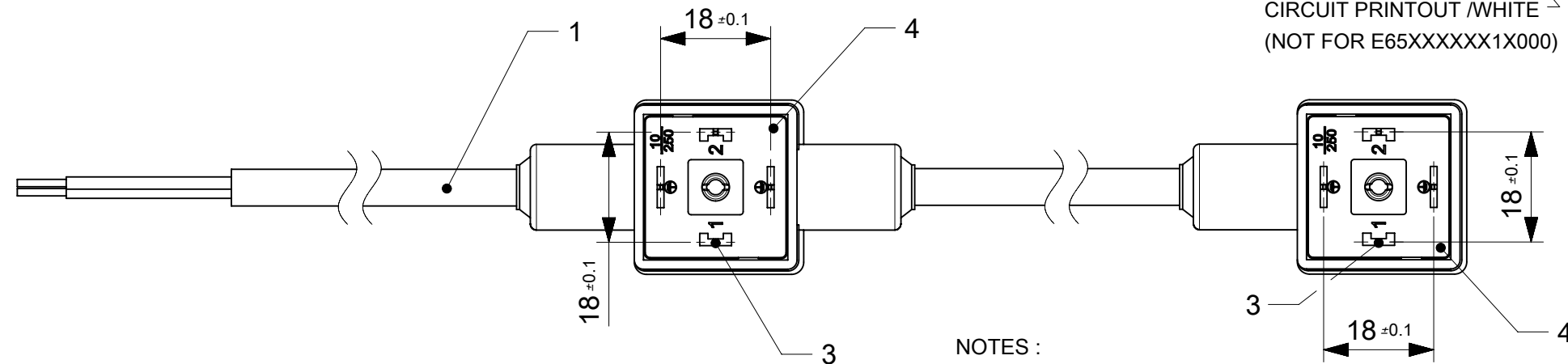
ELECTRICAL DIAGRAM - 00



IN CASE OF E65XXXXXXX1X000, WITHOUT LED



CIRCUIT PRINTOUT /WHITE (NOT FOR E65XXXXXXX1X000)



NOTES :

- ELECTRICAL - CURRENT : MAX. 5.0A
- CONTACT RESISTANCE : ≤15 milliohms MAX.
- INSULATION RESISTANCE : 100 Megaohms MIN.
- PHYSICAL - OPERATING TEMPERATURE WITH : NITRILE RUBBER (NBR) GASKET : -40°C TO +90°C
- LIVE CONTACT DISTANCE : FORM A - 18.00mm
- ENVIRONMENTAL - IP65 SEALING PROTECTION(FIXING SCREW)

BILL OF MATERIALS

ITEM	QTY.	DESCRIPTION	MATERIAL	FINISH
12	0/2	INTEGRATED GASKET	NBR	-
11	0/2	WASHER	NBR	-
10	0/2	SCREW M3x27	STEEL	ZINC
9	0/2	FLAT GASKET	NBR/SILICONE	-
8	0/2	PROFILE GASKET	NBR/SILICONE	-
7	0/2	SCREW M3x25	STEEL	ZINC
6	2	LABEL WHITE	ABS	-
5	0/2	PCB	-	-
4	2	INSERT DIN A	PA66+25%G V0	-
3	8	CONTACT DIN	BRASS	SILVER
2	-	MOULDING MATERIAL	PP	-
1	-	CABLE (SEE SHEET 3)	-	-

THIS DRAWING CONTAINS INFORMATION THAT IS PROPRIETARY TO MOLEX ELECTRONIC TECHNOLOGIES, LLC AND SHOULD NOT BE USED WITHOUT WRITTEN PERMISSION

DIMENSION UNITS	SCALE	CURRENT REV DESC: OBSOLETE PART NUMBERS	
mm	1:1		
GENERAL TOLERANCES (UNLESS SPECIFIED)			
ANGULAR TOL	± 1.0°		
4 PLACES	±	EC NO: 650268	2020/10/29
3 PLACES	±	DRWN: SUGEEB	2020/12/18
2 PLACES	± 0.05	CHK'D: GGA	2020/12/18
1 PLACE	± 0.3	APPR: GGA	2020/12/18
0 PLACES	± 0.5	INITIAL REVISION:	
DRAFT WHERE APPLICABLE MUST REMAIN WITHIN DIMENSIONS		DRWN: SSM	2020/07/31
THIRD ANGLE PROJECTION		APPR: RSILLER	2020/09/04
DRAWING	SERIES	MATERIAL NUMBER	CUSTOMER
A3-SIZE	121055	SEE SHEET 4	GENERAL MARKET

STANDARD E653 DIN FORM A

PRODUCT CUSTOMER DRAWING

DOCUMENT NUMBER: 1210550038

DOC TYPE: PSD

DOC PART: 000

REVISION: A1

SHEET NUMBER: 1 OF 4

ENGINEERING No. MATRIX

E 6 5 3 X X X X X X 1 X X X X

E - Packing without bag
W - Single Packing
Q - Quick Packing

Number of Wires
2 - 2 Poles
3 - 2 Poles + Ground
A - M12 STR , B - 90°

Cable type:
See Table

Head Colour:
G - Grey
N - Black
A - CSA-UL Black
B - CSA-UL Grey

Cable Length in Meters (L):
A=1
B=1.5
C=2
D=2.5
E=3
F=3.5
G=4
H=4.5
L=5
M=5.5
N=6
P=6.5
Q=7
R=7.5
S=8
T=8.5
U=9
K=10

Cable Length in cm Between 2 connectors (L1)
15=15 cm
30=30 cm
1K=100 cm
min length=13 cm

Earth PIN Location:
1=6/12 - earth on 6H/12H
2=12/1 earth on 12H
6=6/1 1 earth on 6H

Internal Circuit
see Wiring Configuration

Type of Gasket and Screw:
1 = NBR Profile Gasket + Fixing Screw M3x25mm
2 = NBR Flat Gasket + Fixing Screw M3x25mm
3 = Silicone Profile Gasket + Fixing Screw M3x25mm
4 = Silicone Flat Gasket + Fixing Screw M3x25mm
P = NBR Integrated Gasket + Fixing Screw with Washer M3x27mm Assembled on Connector
R = NBR Integrated Gasket + Fixing Screw with Washer M3x27mm NOT Assembled on Connector
T = NBR Profile Gasket + Fixing Screw with Washer M3x27mm

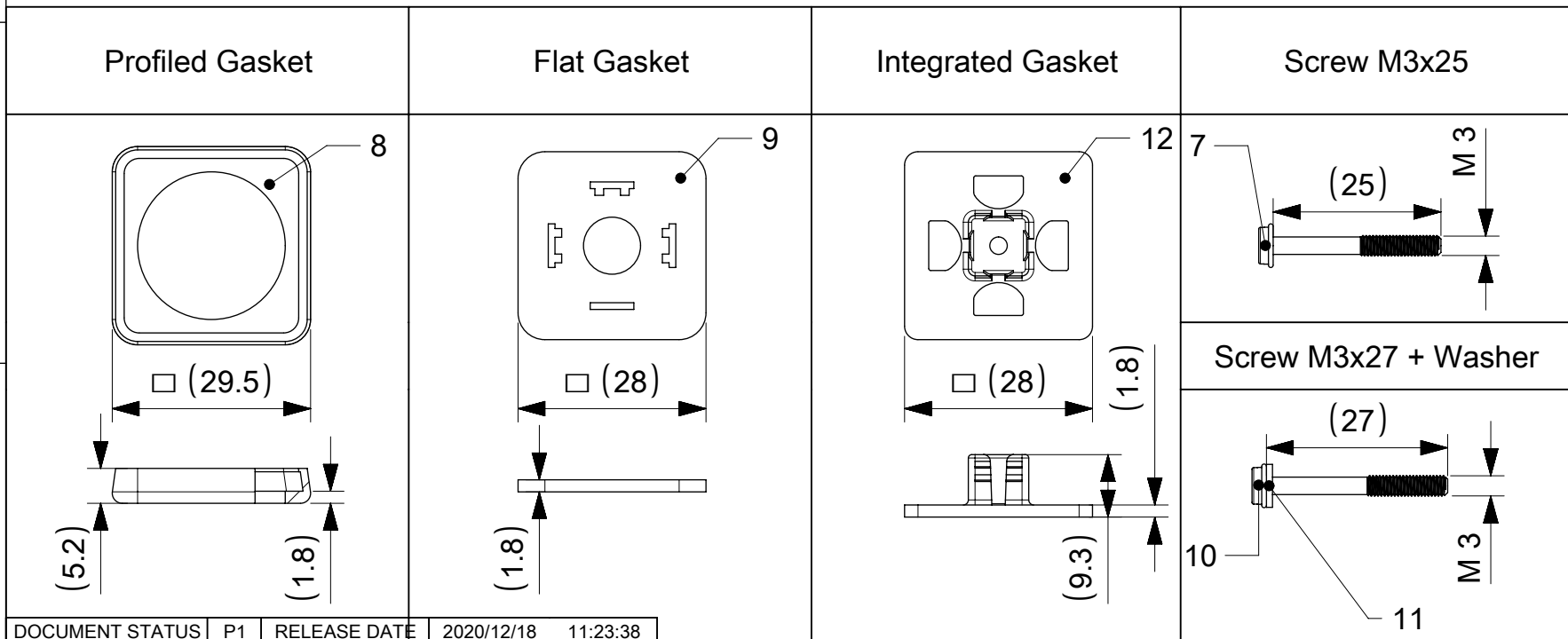
Voltage and LED color

1= 12V
2= 24V
3= 48V
4= 115V
5= 230V
RED LED

A= 12V
B= 24V
C= 48V
D= 115V
E= 230V
GREEN LED

G= 12V
H= 24V
K= 48V
L= 115V
M= 230V
YELLOW LED

Type of Screws and Gaskets


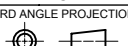


THIS DRAWING CONTAINS INFORMATION THAT IS PROPRIETARY TO MOLEX ELECTRONIC TECHNOLOGIES, LLC AND SHOULD NOT BE USED WITHOUT WRITTEN PERMISSION		CURRENT REV DESC: OBSOLETE PART NUMBERS		molex	
STANDARD E653 DIN FORM A		PRODUCT CUSTOMER DRAWING			
EC NO: 650268		2020/10/29		DOCUMENT NUMBER	
DRWN: SUGEEB		2020/12/18		1210550038	
CHK'D: GGA		2020/12/18		DOC TYPE	
APPR: GGA		2020/12/18		PSD	
INITIAL REVISION:		2020/07/31		DOC PART	
DRWN: SSM		2020/09/04		000	
APPR: RSILLER		2020/09/04		REVISION	
DRAFT WHERE APPLICABLE MUST REMAIN WITHIN DIMENSIONS		THIRD ANGLE PROJECTION		A1	
DRAWING		SERIES		SHEET NUMBER	
A3-SIZE		121055		2 OF 4	
MATERIAL NUMBER		CUSTOMER		DATE	
SEE SHEET 4		GENERAL MARKET		2020/12/18	

TABLE 1 - CABLES

mPm	Code	Wires	Cross Section	Material	Colour	Diameter ϕ
I	0	3	1 mm ²	PVC CEI 2022 II O.R.	Grey RAL7035	6.4±0.2 mm
A	2	2	20 AWG	PVC CSA/UL 2661	Black	5.4±0.2 mm
A	2	3	20 AWG	PVC CSA/UL 2661	Black	5.6±0.2 mm
A	2	4	20 AWG	PVC CSA/UL 2661	Black	6.2±0.25 mm
A	2	5	20 AWG	PVC CSA/UL 2661	Black	7±0.2 mm
B	2	2	20 AWG	PUR CSA/UL 20668	Black	5.6±0.2 mm
B	2	3	20 AWG	PUR CSA/UL 20668	Black	5.6±0.2 mm
B	2	4	20 AWG	PUR CSA/UL 20668	Black	6.2±0.2 mm
B	2	5	20 AWG	PUR CSA/UL 20668	Black	7±0.2 mm
D	2	3	0.5 mm ²	PVC TI2 CEI 20-20	Grey	5.5±0.2 mm
F	2	3	0.5 mm ²	CNEOMO	Grey RAL7000	5.5±0.2 mm
I	2	2	0.5 mm ²	PVC CEI 2022 II O.R.	Grey RAL7035	5.5+0.3/-0 mm
I	2	3	0.5 mm ²	PVC CEI 2022 II O.R.	Grey RAL7035	5.5+0.3/-0 mm
I	2	4	0.5 mm ²	PVC CEI 2022 II O.R.	Grey RAL7035	6.5±0.2 mm
I	2	5	0.5 mm ²	PVC CEI 2022 II O.R.	Grey RAL7035	7±0.2 mm
N	2	2	0.5 mm ²	PVCH03	Black	5.2±0.2 mm
N	2	3	0.5 mm ²	PVCH03	Black	5.5±0.2 mm
N	2	4	0.5 mm ²	PVCH03	Black	6.9 mm max
P	2	2	0.5 mm ²	PUR-BLEND	Black	5.5±0.2 mm
P	2	3	0.5 mm ²	PUR-BLEND	Black	5.5+0.3/-0 mm
P	2	4	0.5 mm ²	PUR-BLEND	Black	6.5±0.2 mm
P	2	5	0.5 mm ²	PUR-BLEND	Black	7+0.3/-0.1 mm
A	3	2	18 AWG	PVC CSA/UL 2661	Black	6.5±0.25 mm
A	3	3	18 AWG	PVC CSA/UL 2661	Black	6.5±0.25 mm
A	3	4	18 AWG	PVC CSA/UL 2661	Black	7±0.3 mm
A	3	5	18 AWG	PVC CSA/UL 2661	Black	7.8±0.25 mm
B	3	2	18 AWG	PUR CSA/UL 20668	Black	6.8±0.2 mm
B	3	3	18 AWG	PUR CSA/UL 20668	Black	6.5±0.2 mm
B	3	4	18 AWG	PUR CSA/UL 20668	Black	7±0.2 mm
B	3	5	18 AWG	PUR CSA/UL 20668	Black	7.8±0.2 mm
D	3	3	0.75 mm ²	PVC TI2 CEI 20-20	Grey	6.5±0.2 mm
D	3	4	0.75 mm ²	PVC TI2 CEI 20-20	Grey	7.1±0.2 mm
I	3	2	0.75 mm ²	PVC CEI 2022 II O.R.	Grey RAL7001	5.5±0.2 mm
I	3	3	0.75 mm ²	PVC CEI 2022 II O.R.	Grey RAL7035	6±0.2 mm
I	3	4	0.75 mm ²	PVC CEI 2022 II O.R.	Grey RAL7035	7±0.2 mm
N	3	2	0.75 mm ²	PVCH05	Black	6.2±0.2 mm
N	3	3	0.75 mm ²	PVCH05	Black	6.5±0.2 mm
N	3	4	0.75 mm ²	PVCH05	Black	7.1±0.2 mm
N	3	5	0.75 mm ²	PVCH05	Black	8.0+0.2/-0 mm
P	3	2	0.75 mm ²	PUR-BLEND	Black	6.5±0.2 mm

mPm	Code	Wires	Cross Section	Material	Colour	Diameter ϕ
P	3	3	0.75 mm ²	PUR-BLEND	Black	6.5±0.2 mm
P	3	4	0.75 mm ²	PUR-BLEND	Black	7±0.2 mm
R	3	3	0.75 mm ²	TPR HAL. FREE	Black	6.5±0.2 mm
T	3	3	0.75 mm ²	PUR CSA/UL	Yellow	6.5±0.2 mm
Y	3	3	0.75 mm ²	SIL/0300	Red	6.5±0.2 mm
F	4	3	1 mm ²	CNEOMO	Grey RAL7000	7.1+0.2/-0 mm
F	4	4	1 mm ²	CNEOMO	Grey RAL7000	7.1+0.2/-0 mm
I	4	2	1 mm ²	PVC CEI 2022 II O.R.	Grey RAL7035	7.1+0.2/-0 mm
I	4	3	1 mm ²	PVC CEI 2022 II O.R.	Grey RAL7035	7.1+0.2/-0 mm
N	4	2	1 mm ²	PVCH05	Black	6.5±0.2 mm
N	4	3	1 mm ²	PVCH05	Black	6.9±0.2 mm
R	4	3	1 mm ²	TPR HAL. FREE	Black	7.1±0.2 mm
N	5	3	1.5 mm ²	PVCH05	Black	8.3+0.2/-0 mm
I	6	2	0.35 mm ²	PVC CEI 2022 II O.R.	Grey RAL7035	4.8±0.2 mm
A	7	3	20 AWG	PVC CSA/UL 2661	Yellow	5.6±0.2 mm
I	9	4	0.75 mm ²	PVC CEI 2022 II O.R.	Grey RAL7035	7.3±0.2 mm

THIS DRAWING CONTAINS INFORMATION THAT IS PROPRIETARY TO MOLEX ELECTRONIC TECHNOLOGIES, LLC AND SHOULD NOT BE USED WITHOUT WRITTEN PERMISSION									
DIMENSION UNITS	SCALE	CURRENT REV DESC: OBSOLETE PART NUMBERS							
mm	1:1								
GENERAL TOLERANCES (UNLESS SPECIFIED)									
ANGULAR TOL	± 1.0°	STANDARD E653 DIN FORM A							
4 PLACES	±	PRODUCT CUSTOMER DRAWING							
3 PLACES	±	EC NO: 650268 DRWN: SUGEEB 2020/10/29 CHK'D: GGA 2020/12/18 APPR: GGA 2020/12/18							
2 PLACES	± 0.05	INITIAL REVISION:							
1 PLACE	± 0.3	DRWN: SSM 2020/07/31 APPR: RSILLER 2020/09/04							
0 PLACES	± 0.5	DOCUMENT NUMBER		DOC TYPE		DOC PART		REVISION	
DRAFT WHERE APPLICABLE MUST REMAIN WITHIN DIMENSIONS		THIRD ANGLE PROJECTION		DRAWING		SERIES		MATERIAL NUMBER	
				A3-SIZE		121055		SEE SHEET 4	
				GENERAL MARKET		CUSTOMER		SHEET NUMBER	
						1210550038		3 OF 4	

