



**ANATECH ELECTRONICS INC**  
RF & Microwave Filters & Products

# 1601.5 MHz Ceramic Bandpass Filter

**Part Number: AM1601B1157**



## Electrical specifications

**Center Frequency:** 1601.5 MHz

**Bandwidth:** 17 MHz min

**VSWR:** 1.5:1

**Input / Output Impedance:** 50 Ohms

**Passband:** 1593-1610 MHz

**Passband Insertion Loss:** 4.8 dB max

**Passband Ripple:** 1.0 dB max

**Rejection:** 5 dB at 1588 MHz

**Rejection 2:** 15 dB at 1581 MHz

**Rejection 3:** 18 dB at 1623 MHz

**Rejection 4:** 40 dB at 1645 MHz

**Power Handling:** 1 W

## Mechanical

**Mounting Method:** SMT

**Dimensions:** 18.2 x 14 x 5 mm

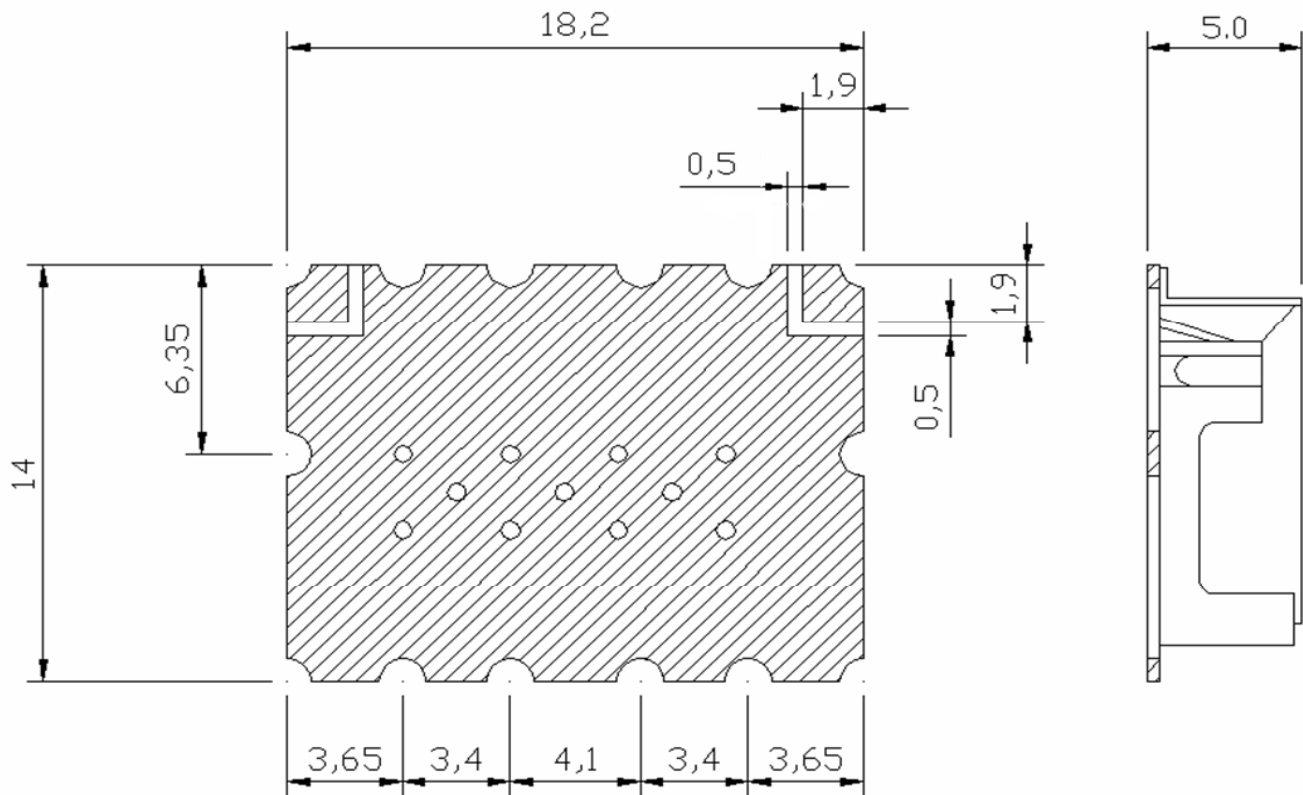
## Environmental

**Operating Temperature:** -20°C to 85°C

**Storage Temperature:** -50°C to +90°C

**This product is RoHS compliant.**

## Outline Drawing:



Unit : mm

Tolerance :  $\pm 0.3$