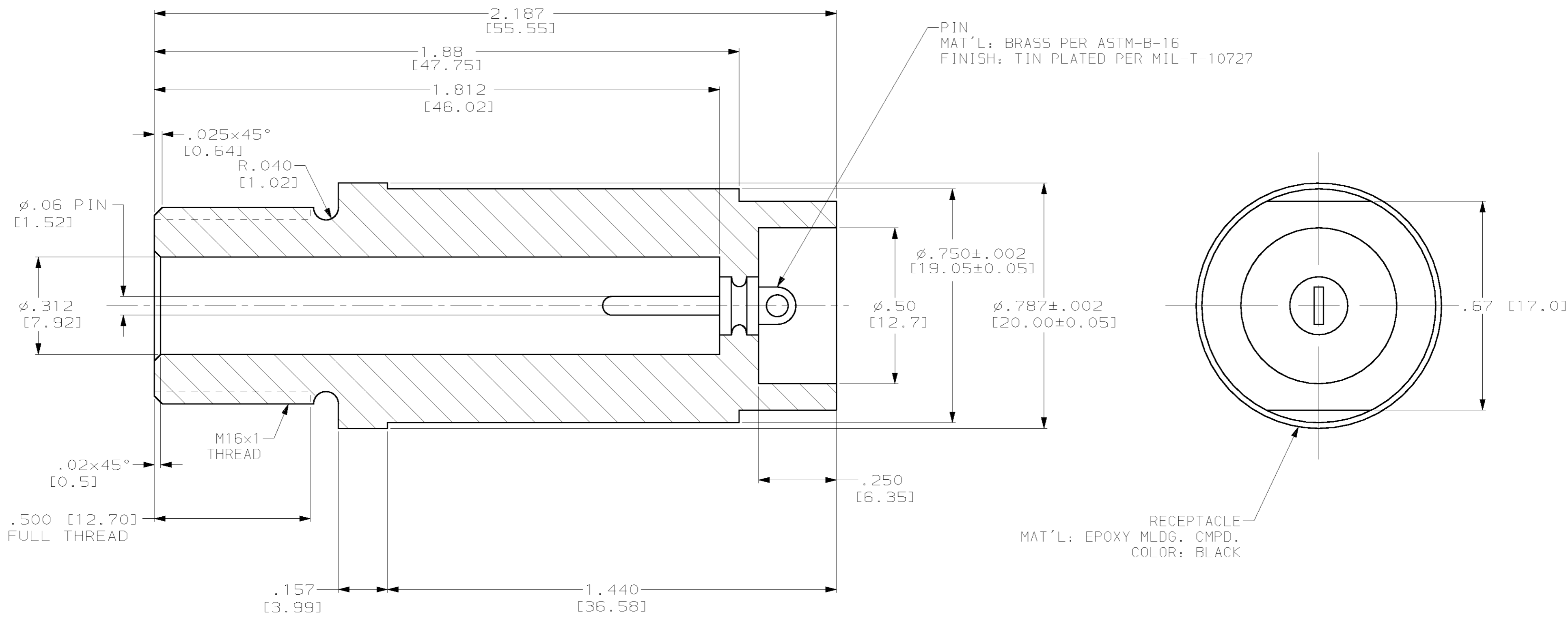


THIS DRAWING IS UNPUBLISHED. RELEASED FOR PUBLICATION
 BY AMP INCORPORATED, ALL RIGHTS RESERVED.

PROD	LOC	DIST	REVISIONS					
4087	DF	50	P	LTR	DESCRIPTION	DATE	DWN	APVD
			B		REV PER 063D-0193-02	12-02	JR	DE



1. MARKED PER MIL-STD-130.
2. RECEPTACLE TO MATE WITH ANY AMP LGH-3 LEAD ASSEMBLY.
3. RECEPTACLE IS HERMETICALLY SEALED.

443067-1
 PART NO.

THIS DRAWING IS A CONTROLLED DOCUMENT FOR AMP INCORPORATED. IT IS SUBJECT TO CHANGE AND THE CONTROLLING ENGINEERING ORGANIZATION SHOULD BE CONTACTED FOR THE LATEST REVISION.		C.C. THOMAS 10-4-94 D. WEYANDT 10-5-94 D. WEYANDT 10-5-94	AMP AMP Incorporated Harrisburg, PA 17105-3608
DIMENSIONS: INCHES [mm]	TOLERANCES UNLESS OTHERWISE SPECIFIED: 0 PLC ± - 1 PLC ± - 2 PLC ± .01 [0.3] 3 PLC ± .005 [0.13] 4 PLC ± - ANGLES ± -	NAME RCPT., MOLDED, LGH-3 (SPECIAL)	SIZE A2
MATERIAL SEE CALLOUTS	FINISH SEE CALLOUTS	APPLICATION SPEC -	CAGE CODE 00779
		WEIGHT -	DRAWING NO. ©=443067
		CUSTOMER DRAWING	SCALE 4:1
		SHEET 1 OF 1	REV B