

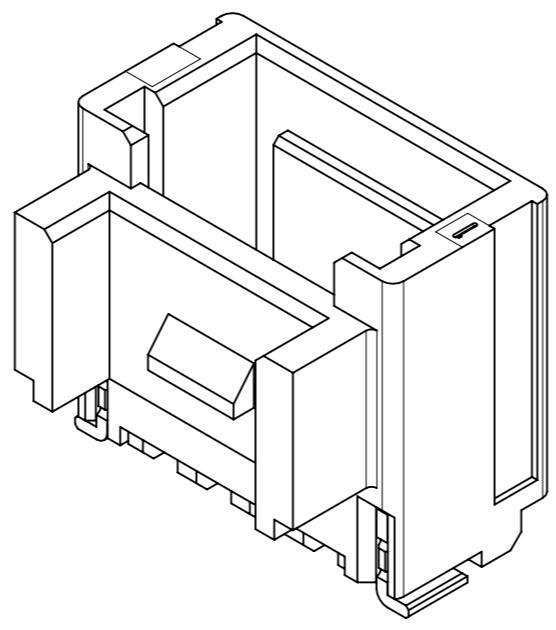
NOTES

- 1. 材料及び仕上げ(めっき仕様) : TABLE 1 参照  
MATERIAL AND FINISHES : SEE TABLE 1
- 2. 製品仕様書 : 5019400000 PS 000  
PRODUCT SPECIFICATION:
- 3. 梱包形態 : SEE SHEET 3  
PACKAGING INFORMATION:
- 4. 嵌合相手 : 501939 シリーズ  
MATES WITH:501939 SERIES
- 5. アプリケーション仕様書(コネクタ取扱い説明書) : 5013300000-AS A00(JAPANESE)/A01(ENGLISH)  
APPLICATION SPECIFICATION(CONNECTOR MANUAL):
- 6. ソルダーピン及びネイルの平坦度:0.1 MAX  
SOLDER PIN AND NAIL COPLANARITY: 0.1 MAX
- 7. 偶数極に適用  
APPLY FOR EVEN CIRCUIT
- 8. その他金めっき厚品及び錫めっき品は以下の図面を御参照下さい。  
PLEASE REFER TO THE FOLLOWING DRAWING FOR OTHER GOLD PLATING VERSION AND TIN PLATING VERSION.

PLATING	PLATING THICKNESS [micro-meter MIN]	SERIES No	DRAWING No
TIN	1.0	501940 **07	5019400000-SD PSD 000
GOLD	0.38	203560 **03	2035600000-SD PSD 000
	0.76	203561 **03	2035610000-SD PSD 000

TABLE 1

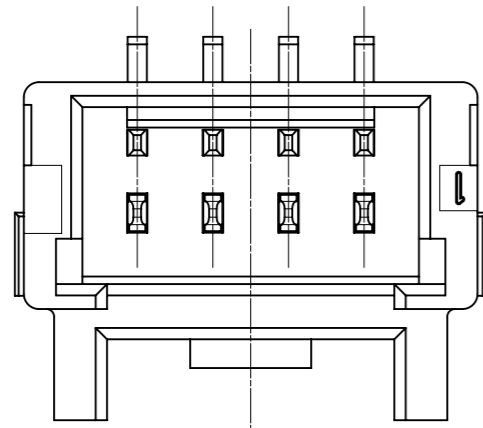
番号 NO	部品 PART	材質 MATERIAL
1	ウエハー WAFER	ポリアミド(PA), UL94V-0, 色 : SEE SHEET 5 POLYAMIDE(PA), UL94V-0, COLOR : SEE SHEET 5
2	ソルダーピン SOLDER PIN	リン青銅 PHOSPHOR BRONZE
		接点部 CONTACT AREA 金めっき : 0.1 MICRO-METER MIN GOLD PLATING
		テール部 TAIL AREA 金めっき : 0.1 MICRO-METER MIN GOLD PLATING
3	ネイル NAIL	リン青銅 PHOSPHOR BRONZE
		テール部 TAIL AREA 錫めっき : 1.0 MICRO-METER MIN MATTE TIN PLATING
		下地めっき UNDER PLATING ニッケルめっき : 1.0 MICRO-METER MIN NICKEL
4	カバーテープ COVER TAPE	ポリイミドテープ POLYIMIDE TAPE



5.2	6.5	4.0	7.0	5
	5.5	3.0	6.0	4
4.2	4.5	2.0	5.0	3
D	C	B	A	極数 CIRCUIT SIZE

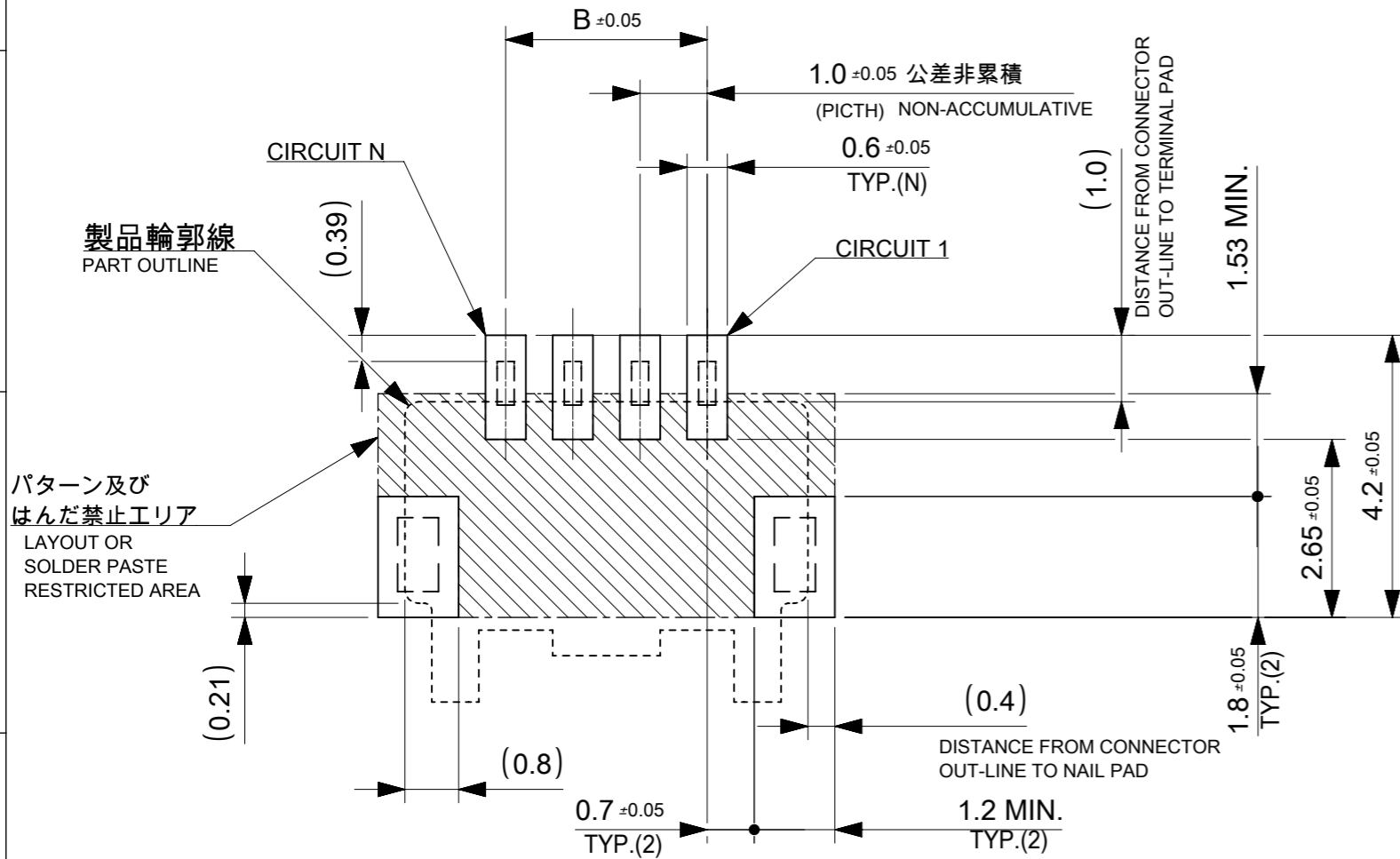
THIS DRAWING CONTAINS INFORMATION THAT IS PROPRIETARY TO MOLEX ELECTRONIC TECHNOLOGIES, LLC AND SHOULD NOT BE USED WITHOUT WRITTEN PERMISSION

DIMENSION UNITS	SCALE	CURRENT REV DESC:	<b>molex</b>		
mm	NTS				
GENERAL TOLERANCES (UNLESS SPECIFIED)			PICO-CLASP 1.0 W/B SINGLE ROW VT SMT OUTER LOCK GOLD PLATING 0.1 MICRO-METER		
ANGULAR TOL	± 3.0 °	EC NO: 635683	PRODUCT CUSTOMER DRAWING		
4 PLACES	± 0.2	DRWN: MIKEDA01 2020/05/12	DOCUMENT NUMBER		
3 PLACES	± 0.2	CHK'D: SAKIYAMA 2020/05/13	DOC TYPE DOC PART REVISION		
2 PLACES	± 0.2	APPR: KOMURAKAMI 2020/05/14	5019400001-SD PSD 000 B		
1 PLACE	± 0.2	INITIAL REVISION:	MATERIAL NUMBER CUSTOMER SHEET NUMBER		
0 PLACES	± 0.2	DRWN: AISHIKAWA 2019/04/01	SEE SHEET5 GENERAL 1 OF 5		
DRAFT WHERE APPLICABLE MUST REMAIN WITHIN DIMENSIONS		THIRD ANGLE PROJECTION	DRAWING	SERIES	
			A3-SIZE	501940	




製品レイアウト  
PRODUCT LAYOUT

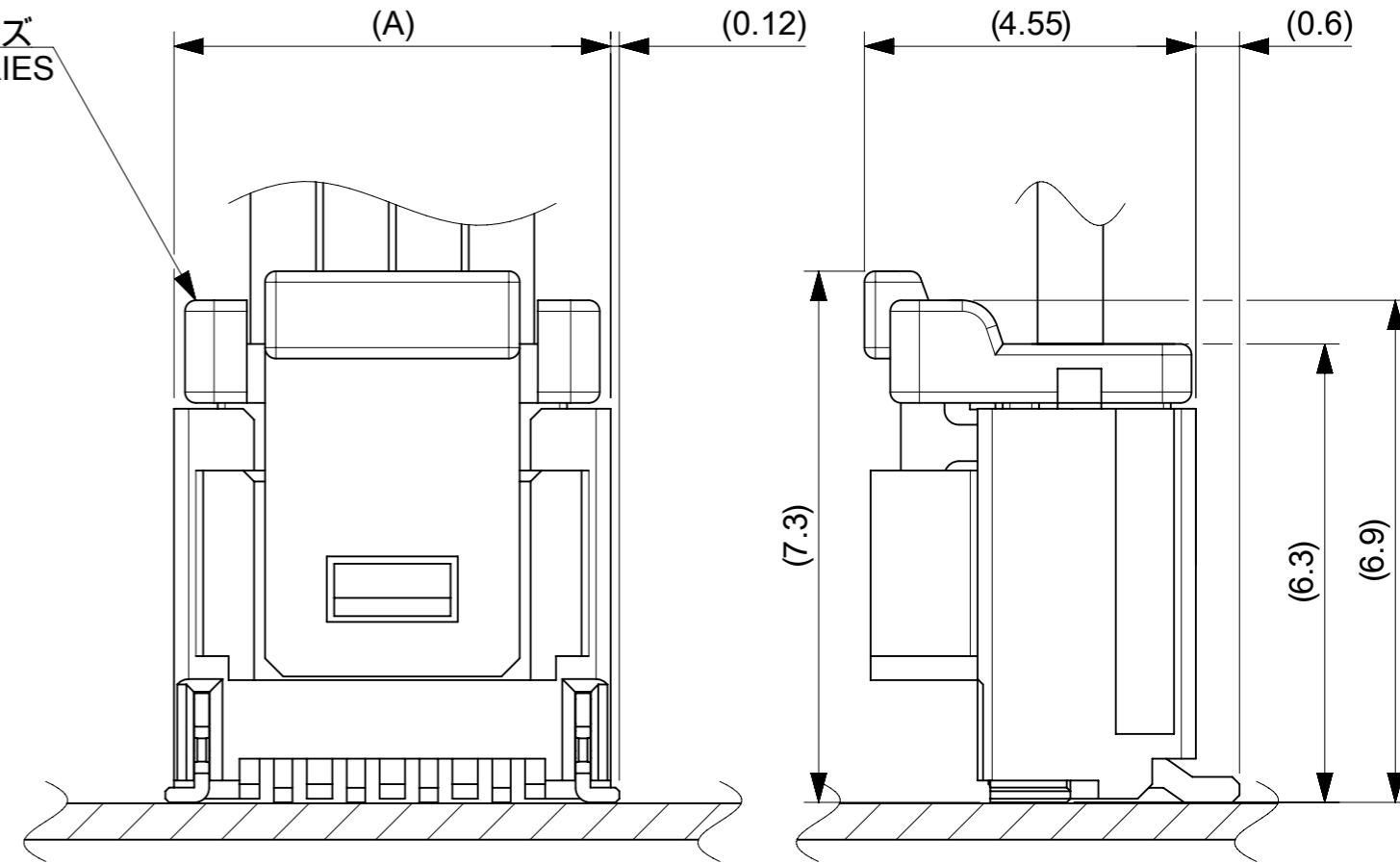
△ 4 嵌合相手 : 501939 シリーズ  
MATE WITH : 501939 SERIES



推奨基板レイアウト(全極数適用) : 実装面側  
(参考 : 基板厚 1.0mm, メタルマスク厚さ 0.12mm, マスク開口率100%)

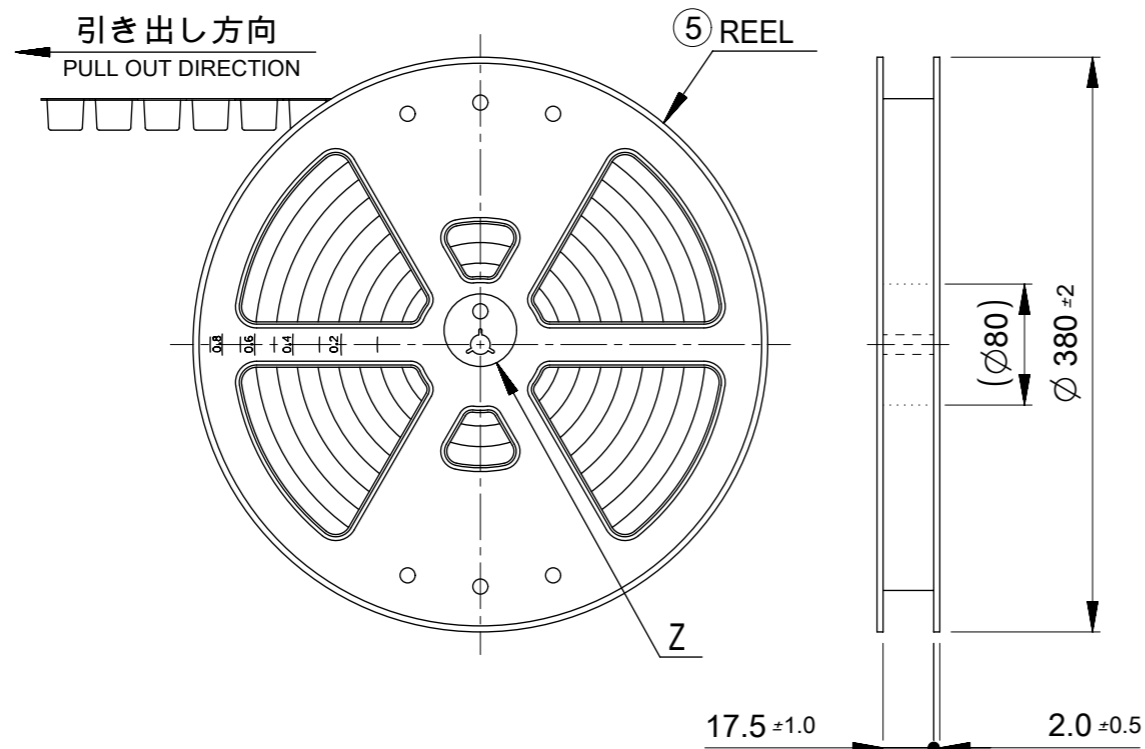
POLARIZED RECOMMENDED PCB LAYOUT(APPLY TO ALL CIRCUIT) : COMPONENT SIDE  
(REFERENCE: PCB THICKNESS 1.0mm, STENCIL THICKNESS 0.12mm, APERTURE RATIO 100%)

 :パターン禁止エリア  
RESTRICTED AREA  
NO PCB COMPONENTS ALLOWED



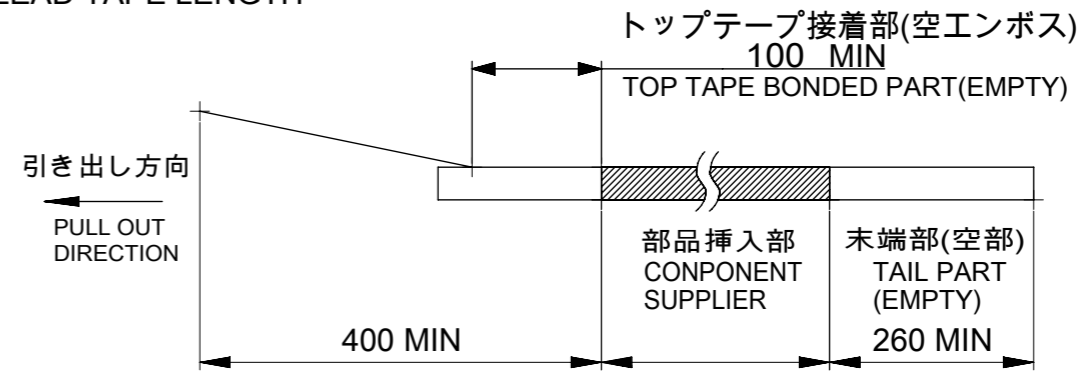
嵌合図  
MATED CONNECTORS

THIS DRAWING CONTAINS INFORMATION THAT IS PROPRIETARY TO MOLEX ELECTRONIC TECHNOLOGIES, LLC AND SHOULD NOT BE USED WITHOUT WRITTEN PERMISSION		CURRENT REV DESC:		<b>molex</b>	
DIMENSION UNITS	SCALE				
mm	NTS			PICO-CLASP 1.0 W/B SINGLE ROW VT SMT OUTER LOCK GOLD PLATING 0.1 MICRO-METER	
GENERAL TOLERANCES (UNLESS SPECIFIED)				PRODUCT CUSTOMER DRAWING	
ANGULAR TOL	± 3.0 °			DOCUMENT NUMBER	
4 PLACES	± 0.2	EC NO: 635683		5019400001-SD	
3 PLACES	± 0.2	DRWN: MIKEDA01 2020/05/12		DOC TYPE	
2 PLACES	± 0.2	CHK'D: SAKIYAMA 2020/05/13		PSD	
1 PLACE	± 0.2	APPR: KOMURAKAMI 2020/05/14		DOC PART	
0 PLACES	± 0.2	INITIAL REVISION:		000	
DRAFT WHERE APPLICABLE MUST REMAIN WITHIN DIMENSIONS		DRWN: AISHIKAWA 2019/04/01		REVISION	
THIRD ANGLE PROJECTION		APPR: KOMURAKAMI 2019/04/03		B	
DRAWING		SERIES		SHEET NUMBER	
A3-SIZE		501940		2 OF 5	
MATERIAL NUMBER		CUSTOMER			
SEE SHEET5		GENERAL			

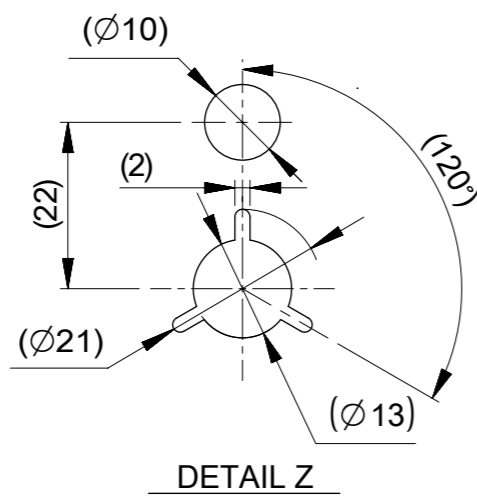


**NOTES**

- 9. 梱包数量:1100個/リール  
NUMBER OF CONNECTORS : 1100 PIECES/REEL
- 10. リードテープ長さ  
LEAD TAPE LENGTH



- 11. トップテープの剥離強度はIEC60286-3に準拠。  
TOP TAPE PEELING FORCE IS DEFINED BY IEC60286-3.
- 12. 梱包仕様書 : SPK-501940-001  
PACKAGE SPECIFICATION:
- 13. 発注番号 : SHEET 5 参照  
ORDER No. : PLEASE REFER TO SHEET 5 FOR PRODUCT LIST.



**501940**    \*\* \* \*

極数 CIRCUIT SIZE	ハウジングカラー HOUSING COLOR	製品識別番号 IDENTIFICATION NUMBER
	0:NATURAL(BEIGE)	3:EMBOSSED PACKAGE

THIS DRAWING CONTAINS INFORMATION THAT IS PROPRIETARY TO MOLEX ELECTRONIC TECHNOLOGIES, LLC AND SHOULD NOT BE USED WITHOUT WRITTEN PERMISSION		CURRENT REV DESC:		<b>molex</b>	
DIMENSION UNITS mm	SCALE NTS	EC NO: 635683			
GENERAL TOLERANCES (UNLESS SPECIFIED)		DRWN: MIKEDA01 2020/05/12		PICO-CLASP 1.0 W/B SINGLE ROW VT SMT OUTER LOCK GOLD PLATING 0.1 MICRO-METER	
ANGULAR TOL	± 3.0 °	CHK'D: SAKIYAMA 2020/05/13		PRODUCT CUSTOMER DRAWING	
4 PLACES	± 0.2	APPR: KOMURAKAMI 2020/05/14		DOCUMENT NUMBER	
3 PLACES	± 0.2	INITIAL REVISION:		5019400001-SD	
2 PLACES	± 0.2	DRWN: AISHIKAWA 2019/04/01		DOC TYPE	DOC PART
1 PLACE	± 0.2	APPR: KOMURAKAMI 2019/04/03		PSD	000
0 PLACES	± 0.2	THIRD ANGLE PROJECTION		CUSTOMER	REVISION
DRAFT WHERE APPLICABLE MUST REMAIN WITHIN DIMENSIONS		DRAWING		SHEET NUMBER	
		A3-SIZE		3 OF 5	
		SERIES			
		501940			
		MATERIAL NUMBER			
		SEE SHEET5			

番号 NO.	部品 PART	材質 MATERIAL
⑤	リール REEL	ポリスチレン(PS) <リサイクル材を含む> POLYSTYRENE(PS) <RECYCLE MATERIAL CONTAINED>
DOCUMENT STATUS	P1	RELEASE DATE 2020/05/14 10:49:40

引き出し方向  
PULL OUT DIRECTION

16mm幅テープ  
TAPE WIDTH:16mm

⑦ TOP TAPE

CONNECTOR

⑥ CARRIER TAPE

SECTION Y-Y

SECTION X-X

(7.5) コネクタ中心位置  
CENTER OF CONNECTOR

(2.0) エンボスポケット中心位置  
CENTER OF EMBOSSED POCKET

累積ピッチ : 40±0.2  
ACUUMLATIVE PITCH:

CIRCUIT 1

∅ 1.50<sup>+0.10</sup><sub>-0.00</sub>

1.75<sup>±0.10</sup>

16<sup>±0.30</sup>

0.5<sup>±0.05</sup>

(5.65)

(5.8)  
(6.8)

12.0<sup>±0.1</sup>

(5.65)

(2.55)

Y →

X ↑

X ↑

(D)

8.3	5
7.3	4
6.3	3
D	極数 CIRCUIT SIZE

THIS DRAWING CONTAINS INFORMATION THAT IS PROPRIETARY TO MOLEX ELECTRONIC TECHNOLOGIES, LLC AND SHOULD NOT BE USED WITHOUT WRITTEN PERMISSION

DIMENSION UNITS	SCALE	CURRENT REV DESC:	
mm	NTS		
GENERAL TOLERANCES (UNLESS SPECIFIED)			
ANGULAR TOL	± 3.0 °		
4 PLACES	± 0.2		
3 PLACES	± 0.2		
2 PLACES	± 0.2		
1 PLACE	± 0.2		
0 PLACES	± 0.2		
DRAFT WHERE APPLICABLE MUST REMAIN WITHIN DIMENSIONS		THIRD ANGLE PROJECTION	DRAWING
			A3-SIZE
		SERIES	501940
		MATERIAL NUMBER	SEE SHEET5
		CUSTOMER	GENERAL
		SHEET NUMBER	4 OF 5

EC NO: 635683  
DRWN: MIKEDA01 2020/05/12  
CHK'D: SAKIYAMA 2020/05/13  
APPR: KOMURAKAMI 2020/05/14

INITIAL REVISION:  
DRWN: AISHIKAWA 2019/04/01  
APPR: KOMURAKAMI 2019/04/03

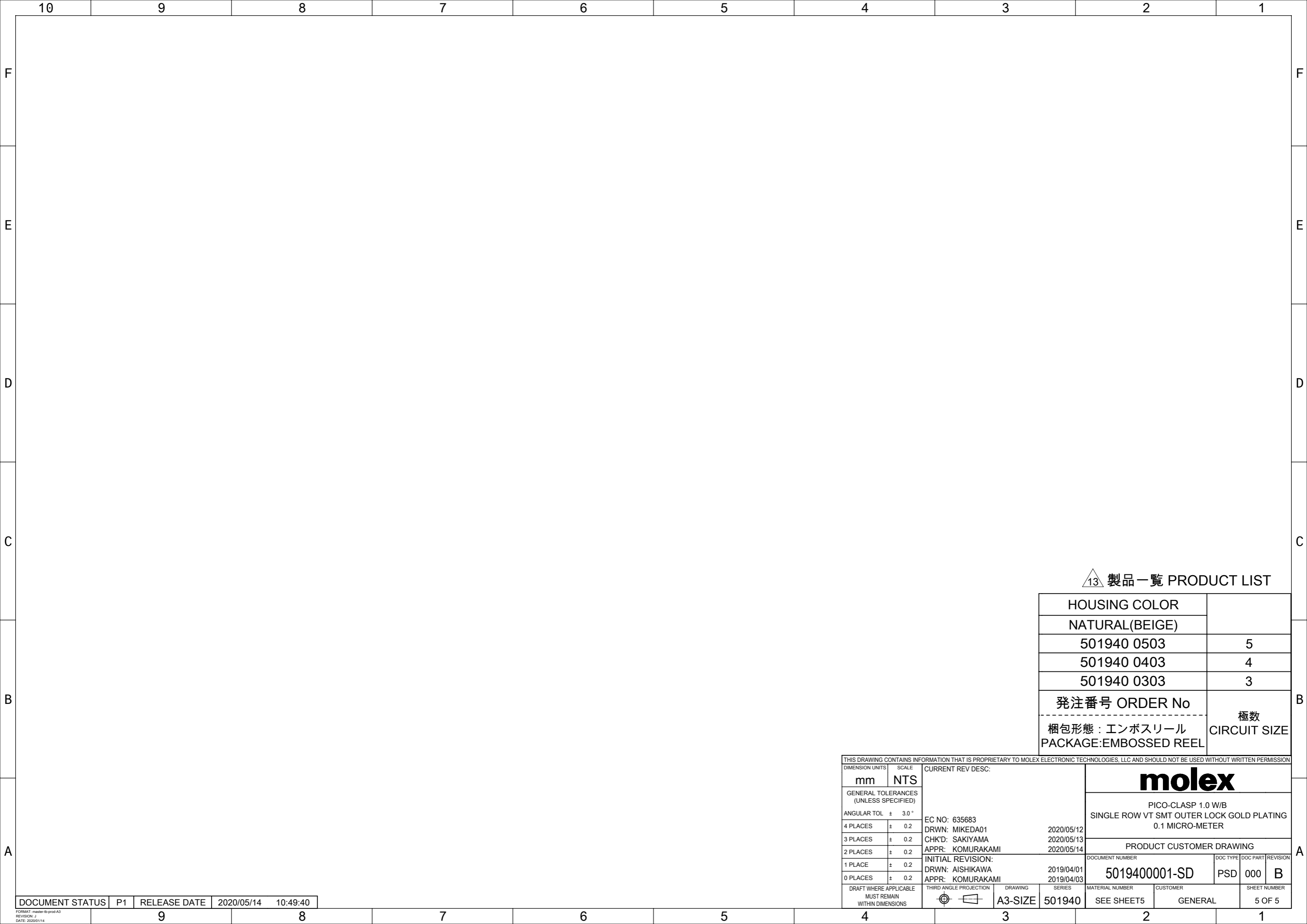
**molex**  
PICO-CLASP 1.0 W/B  
SINGLE ROW VT SMT OUTER LOCK GOLD PLATING  
0.1 MICRO-METER

PRODUCT CUSTOMER DRAWING

DOCUMENT NUMBER: 5019400001-SD  
DOC TYPE: PSD  
DOC PART: 000  
REVISION: B



番号 NO.	部品 PART	材質 MATERIAL
⑥	キャリアテープ CARRIER TAPE	ポリプロピレン(PP)、その他 POLYPROPYLENE(PP), etc
⑦	トップテープ TOP TAPE	ポリエチレン(PE)、その他 POLYETHYLENE(PE), etc

DOCUMENT STATUS	P1	RELEASE DATE	2020/05/14	10:49:40
-----------------	----	--------------	------------	----------



△13 製品一覧 PRODUCT LIST

HOUSING COLOR	
NATURAL(BEIGE)	
501940 0503	5
501940 0403	4
501940 0303	3
発注番号 ORDER No	極数
梱包形態 : エンボスリール PACKAGE:EMBOSSED REEL	CIRCUIT SIZE

THIS DRAWING CONTAINS INFORMATION THAT IS PROPRIETARY TO MOLEX ELECTRONIC TECHNOLOGIES, LLC AND SHOULD NOT BE USED WITHOUT WRITTEN PERMISSION										
DIMENSION UNITS	SCALE	CURRENT REV DESC:								
mm	NTS									
GENERAL TOLERANCES (UNLESS SPECIFIED)		EC NO: 635683			PICO-CLASP 1.0 W/B SINGLE ROW VT SMT OUTER LOCK GOLD PLATING 0.1 MICRO-METER					
ANGULAR TOL	± 3.0 °	DRWN: MIKEDA01 2020/05/12			PRODUCT CUSTOMER DRAWING					
4 PLACES	± 0.2	CHK'D: SAKIYAMA 2020/05/13			DOCUMENT NUMBER					
3 PLACES	± 0.2	APPR: KOMURAKAMI 2020/05/14			5019400001-SD			DOC TYPE	DOC PART	REVISION
2 PLACES	± 0.2	INITIAL REVISION:			2019/04/01			PSD	000	B
1 PLACE	± 0.2	DRWN: AISHIKAWA			2019/04/03					
0 PLACES	± 0.2	APPR: KOMURAKAMI								
DRAFT WHERE APPLICABLE MUST REMAIN WITHIN DIMENSIONS	THIRD ANGLE PROJECTION	DRAWING	SERIES	MATERIAL NUMBER	CUSTOMER		SHEET NUMBER			
		A3-SIZE	501940	SEE SHEET5	GENERAL		5 OF 5			

DOCUMENT STATUS	P1	RELEASE DATE	2020/05/14	10:49:40
-----------------	----	--------------	------------	----------