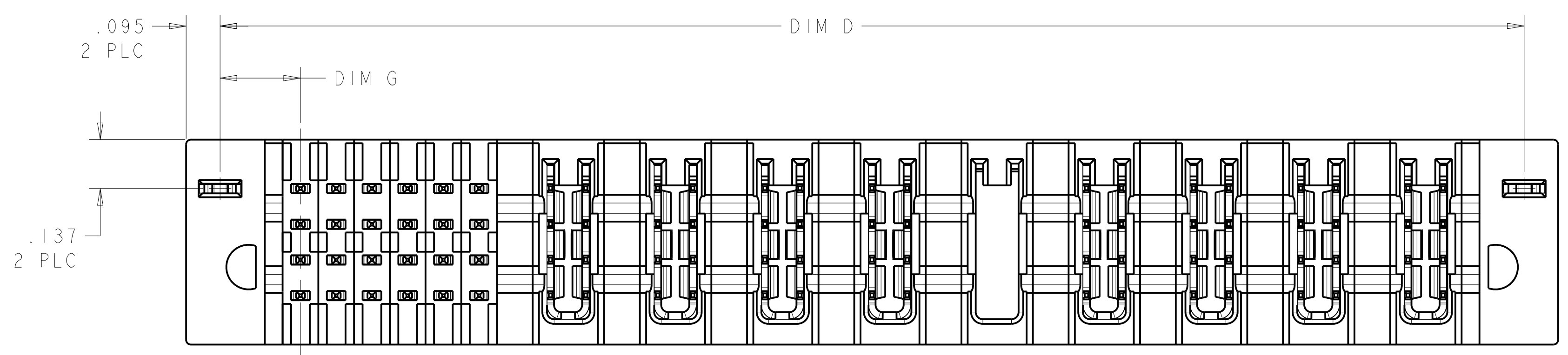
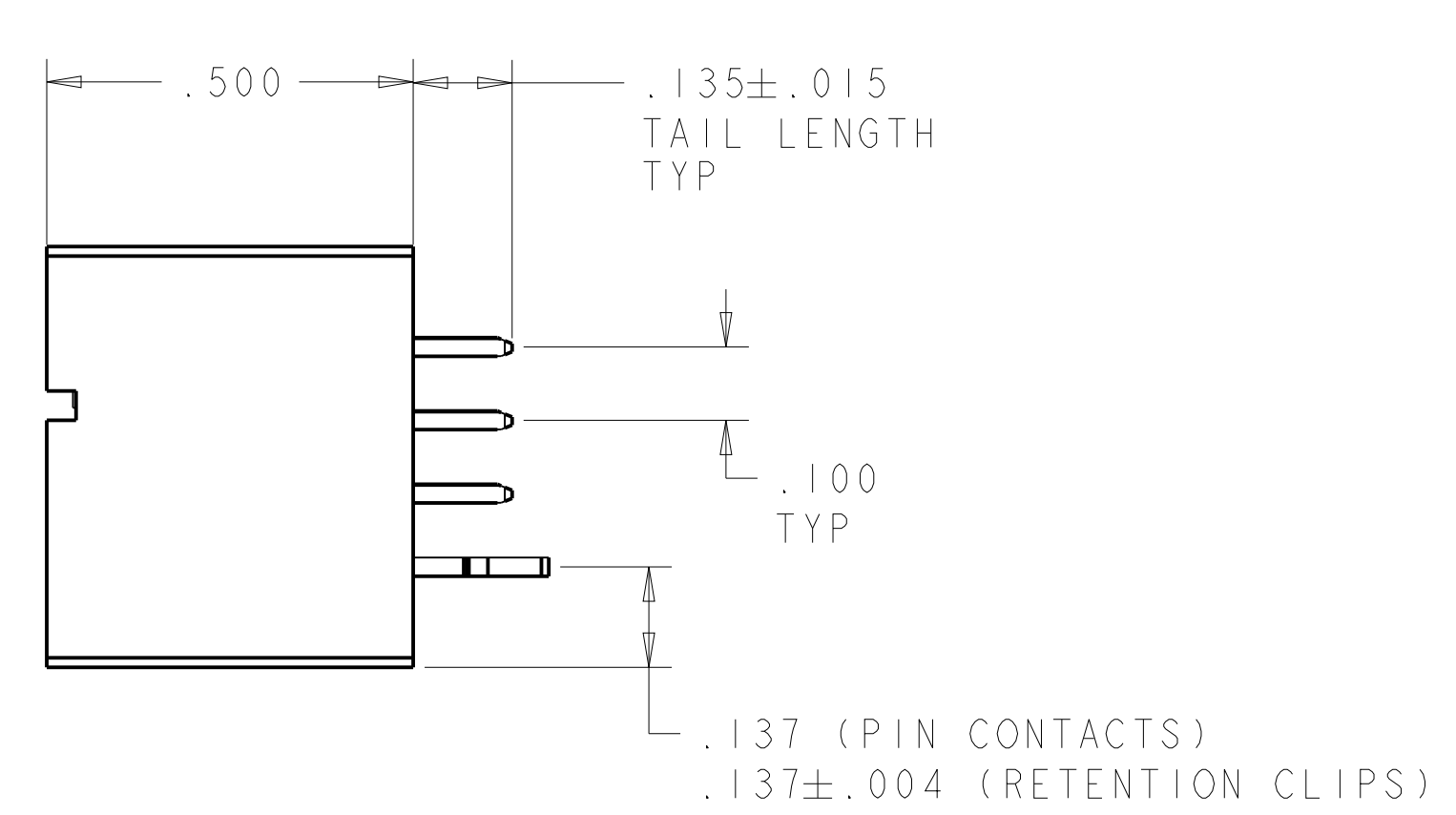
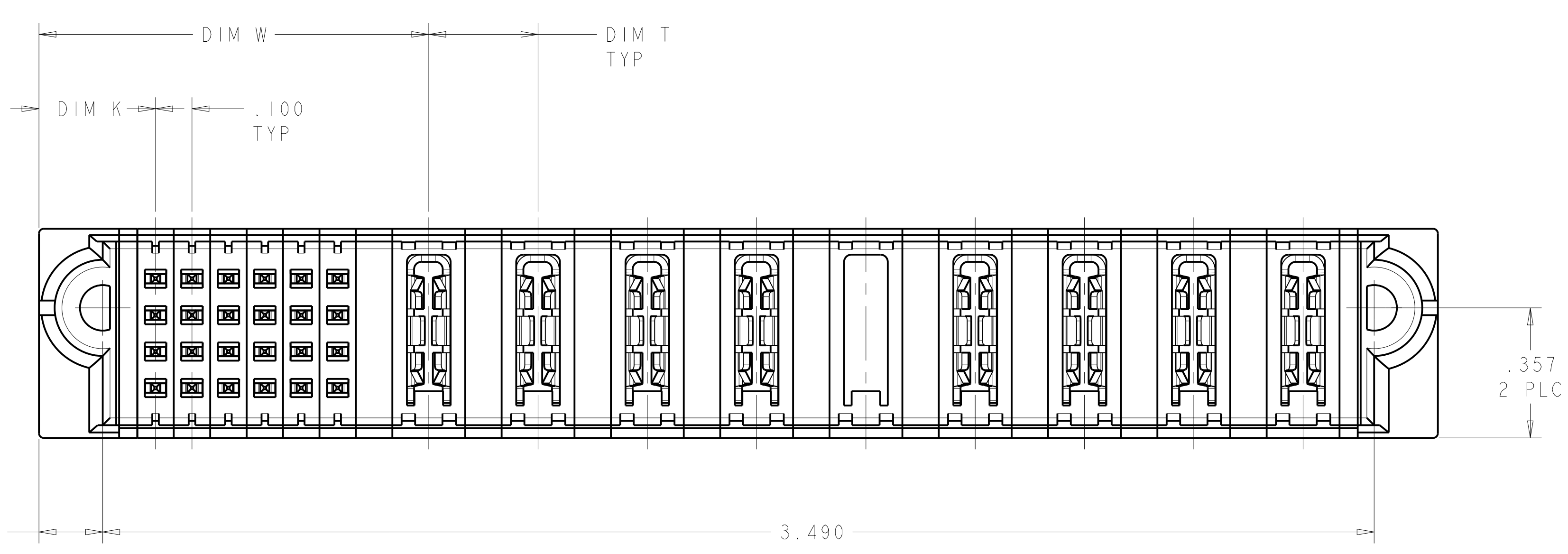
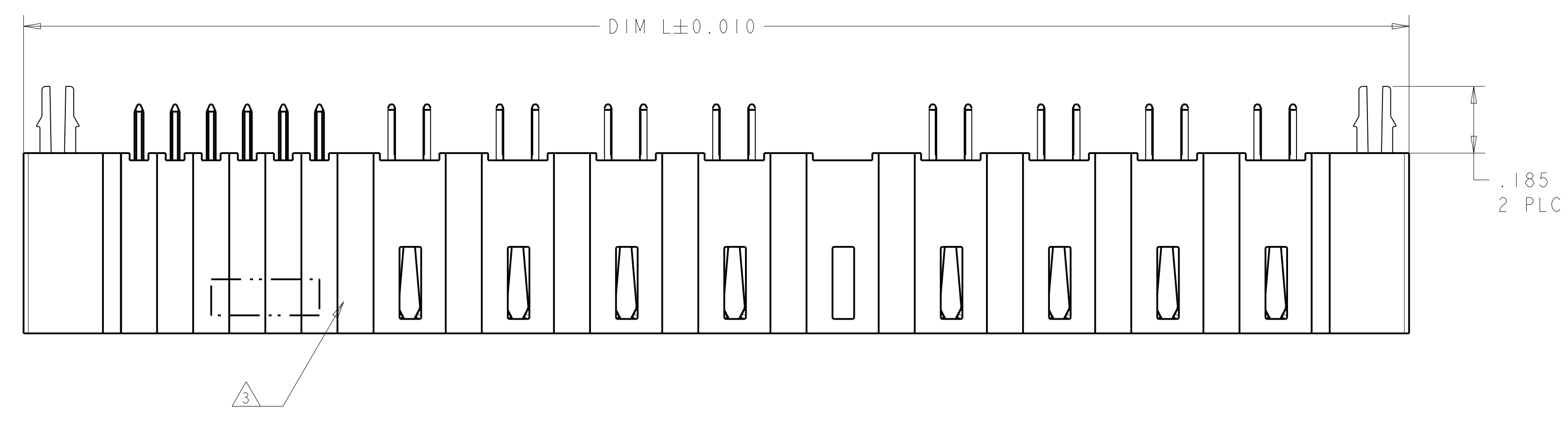


LOC		DIST		REVISIONS			
ES	00	P	LTN	DESCRIPTION	DATE	DWN	APVD
		A2		ADD NEW PART -2	26DEC2012	AY	SZ
		A3		UPDATE -2 MODEL	07JAN2013	AY	SZ
		A5		ADD NEW DASH NUMBER -3	14NOV2014	CZ	SZ



- ⚠️ HEADER HOUSING: THERMO PLASTIC, BLACK, UL94 V-0; CONTACTS AND RETENTION CLIPS: COPPER ALLOY.
- ⚠️ CONTACT PLATING: NOBLE METAL PLATING ON CONTACT FUNCTIONAL AREA OF POWER AND SIGNAL CONTACTS
- ⚠️ "AMP", PART NUMBER AND DATE CODE MARKED IN THIS AREA. PARTS UNDER 2.50 LONG MAY BE MARKED ON BOTH SIDES.
- ⚠️ DATUM AND BASIC DIMENSIONS ESTABLISHED BY CUSTOMER.
- ⚠️ PCB - ALL HOLE DIAMETERS ARE FINISHED HOLE SIZES.
- ⚠️ MECHANICAL CONNECTOR KEEP OUT ZONE.



DIM K	DIM T	DIM W	DIM G	DIM D	DIM L	DESCRIPTION	PART NO
.320	.300	1.070	.275	3.650	3.840	24S + 9P	6450811-3
.270	-	-	.225	.650	.840	16S	6450811-2
.270	-	-	.225	.850	1.040	24S	6450811-1

THIS DRAWING IS A CONTROLLED DOCUMENT. DWN: C. ZHOU 05MAR2008  
 CHK: S. ZHAO 05MAY2008

DIMENSIONS: INCHES. TOLERANCES UNLESS OTHERWISE SPECIFIED:  
 0 PLC ±.005  
 1 PLC ±.005  
 2 PLC ±.005  
 3 PLC ±.005  
 4 PLC ±.005  
 ANGLES ±.005

MATERIAL: FINISH:

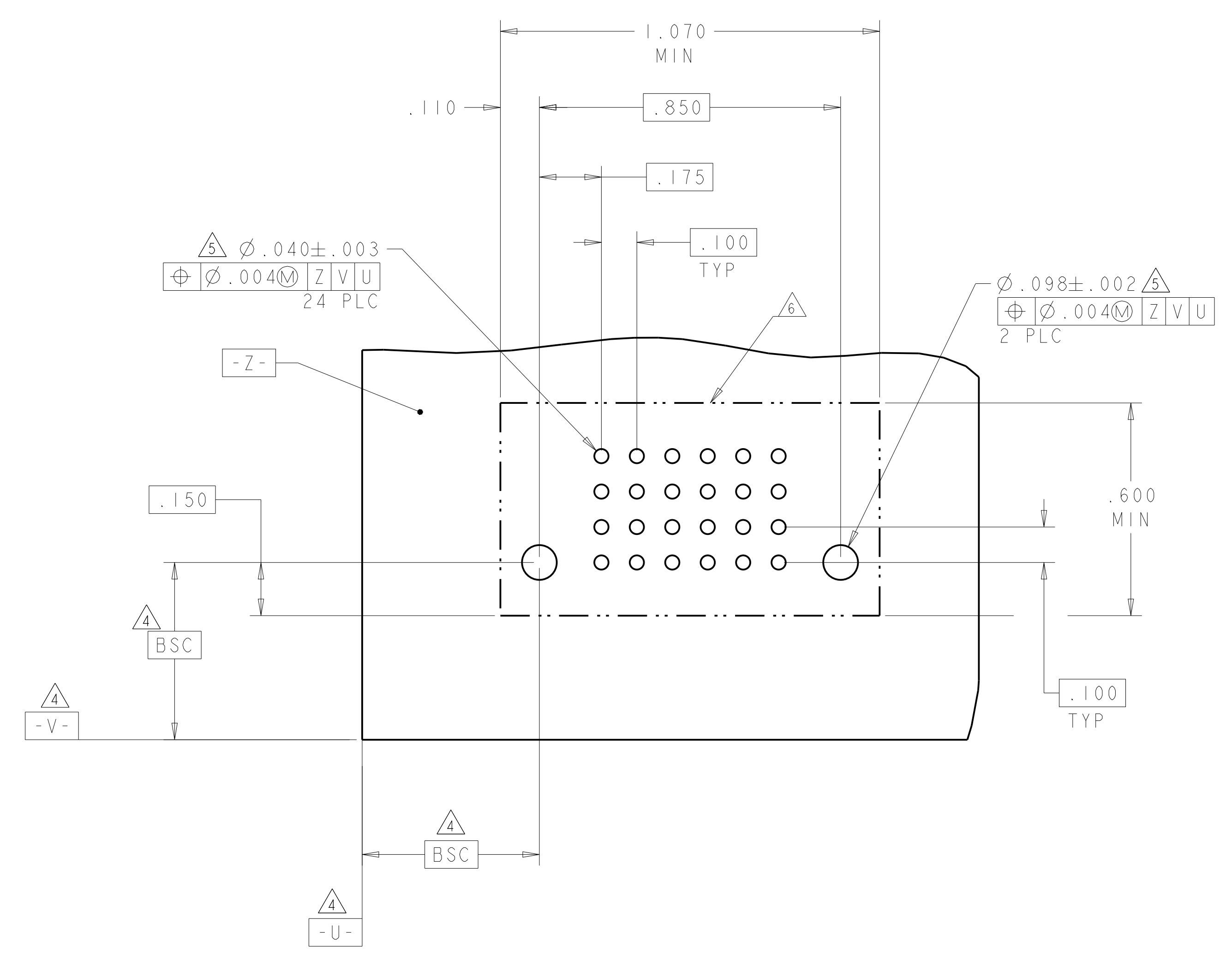
PRODUCT SPEC: 108-2292  
 APPLICATION SPEC: 114-13038  
 WEIGHT: -

NAME: VERTICAL HEADER ASSEMBLY, WITH SHORT END MODULE MULTI-BEAM XLE  
 SIZE: A1 CAGE CODE: 6450811 DRAWING NO: 100779  
 RESTRICTED TO: CUSTOMER DRAWING

SCALE: 4:1 SHEET 1 OF 4 REV: A5

LOC	DIST	REVISIONS			
P	LTN	DESCRIPTION	DATE	DWN	APVD
ES	00	SEE SHEET 1	-	-	-

PART NUMBER	ROWS	SIGNAL					
		1	2	3	4	5	6
6450811-1	D	SS	SS	SS	SS	SS	SS
	C	SS	SS	SS	SS	SS	SS
	B	SS	SS	SS	SS	SS	SS
	A	SV	SV	SV	SV	SV	SV
24S	HD						HD



MATING SEQUENCE	DESCRIPTION	IDENTIFIER
-	RETENTION CLIP	HD
MLBF	SIGNAL CONTACT	SS
STANDARD	SIGNAL CONTACT	SV

THIS DRAWING IS A CONTROLLED DOCUMENT.

DWN: C. ZHOU 05MAR2008  
 CHK: S. ZHAO 05MAY2008  
 APVD: -

TE Connectivity

NAME: VERTICAL HEADER ASSEMBLY, WITH SHORT END MODULE MULTI-BEAM XLE

PRODUCT SPEC: 108-2292  
 APPLICATION SPEC: 114-13038

SIZE: A1  
 CAGE CODE: 00779  
 DRAWING NO: 6450811

RESTRICTED TO: -

CUSTOMER DRAWING

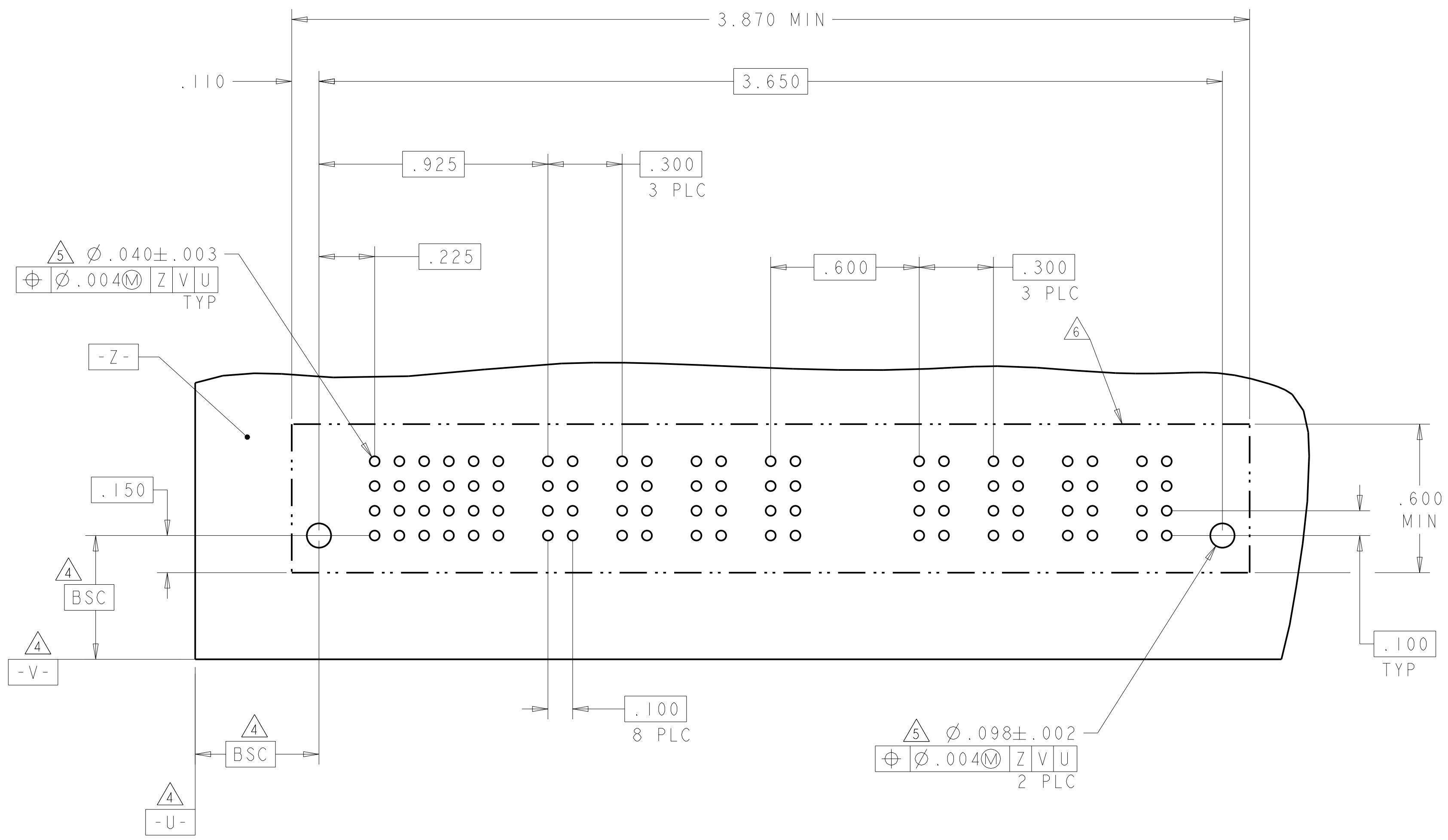
SCALE: 4:1 SHEET: 2 OF 4 REV: A5



LOC	DIST	REVISIONS			
ES	00	REV	DATE	BY	APPV
-	-	SEE SHEET 1	-	-	-

PART NUMBER	ROWS	SIGNAL						POWER								
		1	2	3	4	5	6	P1	P2	P3	P4	P5	P6	P7	P8	P9
6450811-3	D	SV	SV	SV	SV	SV	SV	SZ	SZ	SZ	SZ	SZ	SZ	SZ	SZ	SZ
	C	SV	SV	SV	SV	SV	SV									
	B	SV	SV	SV	SV	SV	SV									
	A	SV	SV	SV	SV	SV	SV									
24S + 9ACP	HD	HD														

NO CONTACT LOADED



THIS DRAWING IS A CONTROLLED DOCUMENT.		DWN C. ZHOU 05MAR2008	 TE Connectivity
DIMENSIONS: INCHES		CHK S. ZHAO 05MAY2008	
TOLERANCES UNLESS OTHERWISE SPECIFIED: 0 PLC ± 1 PLC ± 2 PLC ± 3 PLC ±.005 4 PLC ± ANGLES ±		APVD -	NAME VERTICAL HEADER ASSEMBLY, WITH SHORT END MODULE MULTI-BEAM XLE
MATERIAL -		FINISH -	RESTRICTED TO -
CUSTOMER DRAWING		SCALE 4:1	SHEET 4 OF 4
DIMENSIONS: INCHES 		PRODUCT SPEC 108-2292 APPLICATION SPEC 114-13038 WEIGHT -	SIZE A100779C=6450811 REV A5