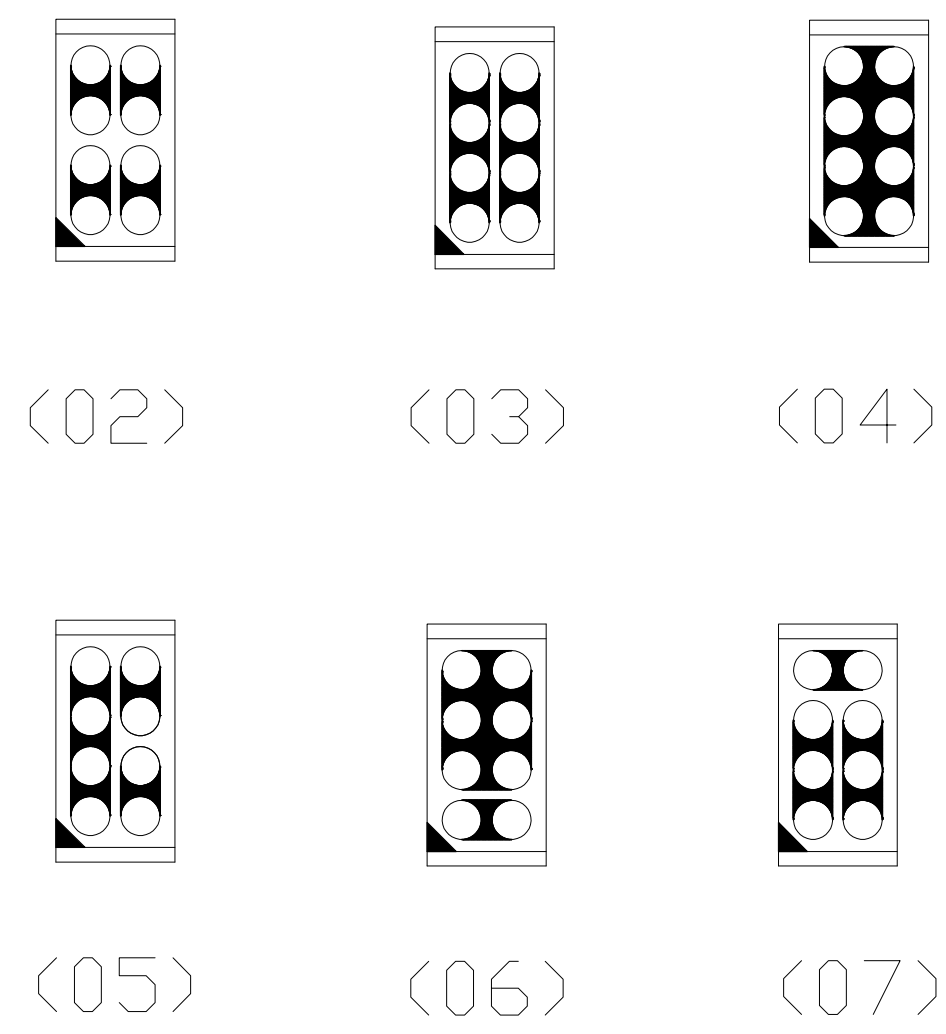
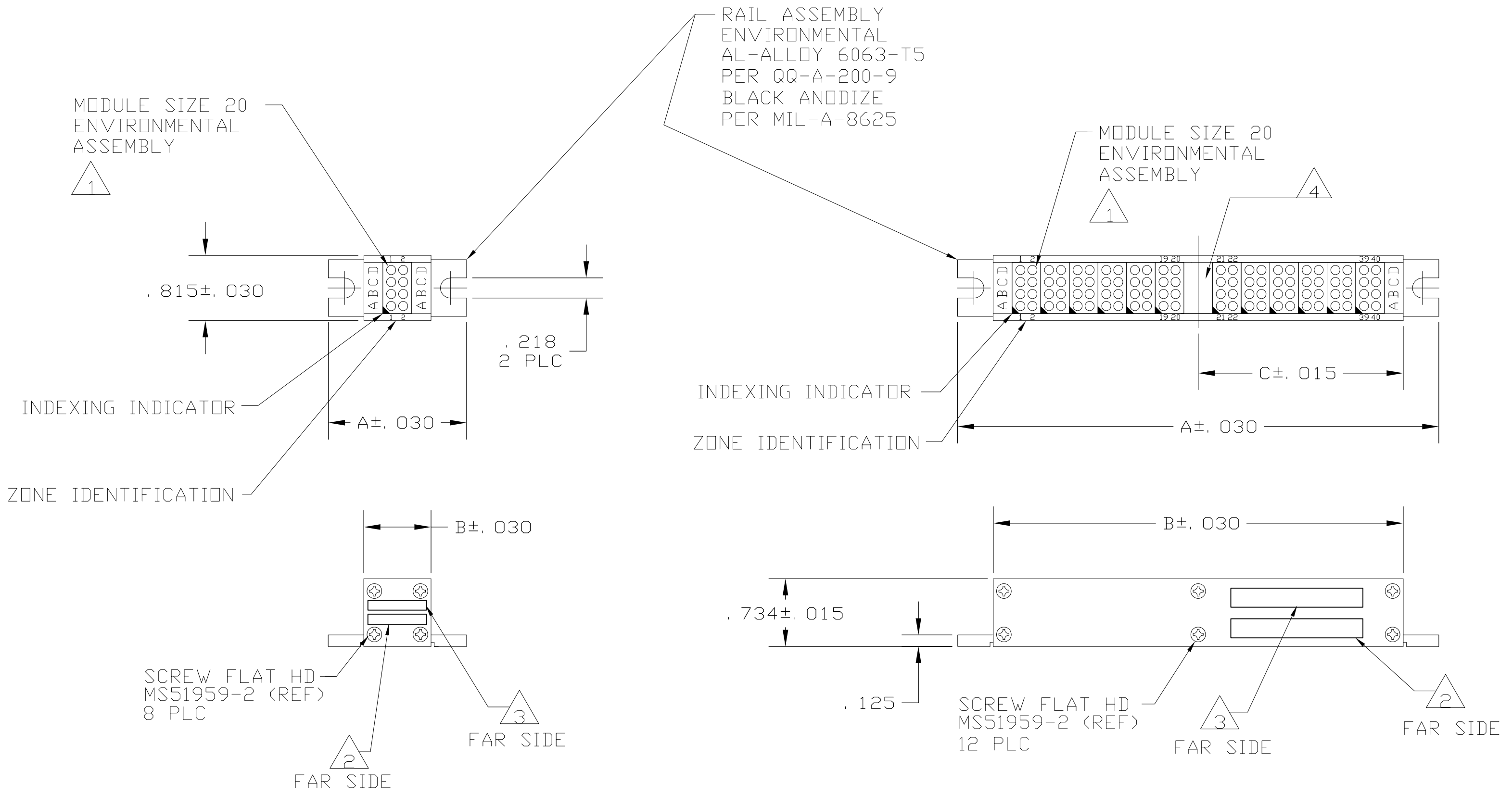


| LDC | | DIST | | REVISIONS | | | |
|-----|-----|-----------------------|--|-----------|-----|------|--|
| P | LTR | DESCRIPTION | | DATE | DWN | APVD | |
| | A | REV PER ECO-07-026787 | | 16NOV07 | PY | DE | |



BUSSING ARRANGEMENTS



- 5. PART NUMBERS THAT DO NOT CONTAIN MODULES ARE RAIL KITS AND ARE NOT ASSEMBLED
- 4. RAIL ASSEMBLIES WITH TWELVE MODULE ASSEMBLIES OR MORE CONTAIN TIE BLOCK INSERT AT CENTER.
- 3. MARK RAIL IDENTIFICATION, "AMP", AMP PART NO. AND DATE CODE .060 MINIMUM HIGH CHARACTERS AT APPROXIMATE AREA SHOWN.
- 2. MARK CUSTOMER PART NO. IF REQUIRED .060 MINIMUM HIGH CHARACTERS AT APPROXIMATE AREA SHOWN.
- 1. MODULE ASSEMBLIES ARE ORIENTATED AS SHOWN FROM LOCATION NO. 1 ON RAIL ASSEMBLY.

| | | | | | | | |
|--|--|------------------|----------|---------|--|--------|--|
| THIS DRAWING IS A CONTROLLED DOCUMENT. | | DWN | N. FRITZ | 9-12-93 | Tyco Electronics Corporation Harrisburg, PA 17105-3608 | | |
| DIMENSIONS INCHES | | CHK | R. RYAN | 9-13-93 | NAME | | |
| TOLERANCES UNLESS OTHERWISE SPECIFIED: | | APVD | R. RYAN | 9-13-93 | RAIL, FEED-BACK, SIZE 20, ENVIRONMENTAL, 1 ROW, TJ ASSY | | |
| 0 PLC ± - | | PRODUCT SPEC | - | | | | |
| 1 PLC ± - | | APPLICATION SPEC | - | | | | |
| 2 PLC ± - | | WEIGHT | - | | | | |
| 3 PLC ± .005 | | SCALE | 1:1 | | SHEET | 1 of 2 | |
| 4 PLC ± - | | CUSTOMER DRAWING | A200779 | | CAGE CODE | 591651 | |
| ANGLES ± - | | RESTRICTED TO | - | | | | |
| FINISH | | REV | A | | | | |

THIS DRAWING IS UNPUBLISHED. RELEASED FOR PUBLICATION
 © COPYRIGHT BY TYCO ELECTRONICS CORPORATION. ALL RIGHTS RESERVED.

| LOC | DIST | REVISIONS | | | | | |
|-----|------|-----------|-----|-------------|------|-----|------|
| DF | A0 | P | LTR | DESCRIPTION | DATE | DWN | APVD |
| | | | | SEE SHEET 1 | | | |

| MARKING | BUSSING ARRANGEMENT | NUMBER OF MODULES | DIM. C | DIM. B | DIM. A | PART NO |
|---------|---|-------------------|--------|--------|--------|------------|
| | ST194H037 (07) | 1 | .705 | 1.450 | | 4-591651-1 |
| | SM-C-920523 (04) | 8 | 2.875 | 3.620 | | 4-591651-0 |
| | (04)(04)(04)(03)(04)(03)(05)(06)(02)(02) TIE BLOCK (02)(02)(02)(02)(02)(02)(02)(02)(07)(07) | 20 | 3.452 | 6.905 | 7.650 | 3-591651-7 |
| | (02) | 20 | 3.452 | 6.905 | 7.650 | 3-591651-6 |
| | (02) | 20 | 3.452 | 6.905 | 7.650 | 3-591651-5 |
| | (03) | 16 | 2.832 | 5.665 | 6.410 | 3-591651-4 |
| | (03) | 16 | 2.832 | 5.665 | 6.410 | 3-591651-3 |
| | (04) | 14 | 2.522 | 5.045 | 5.790 | 3-591651-2 |
| | (04) | 14 | 2.522 | 5.045 | 5.790 | 3-591651-1 |
| | (02) | 12 | 2.212 | 4.425 | 5.170 | 3-591651-0 |
| | (02) | 12 | 2.212 | 4.425 | 5.170 | 2-591651-9 |
| | (05)(05)(07)(02)(02)(02)(02)(07)(03)(03)(05) | 11 | 3.805 | 4.550 | | 2-591651-8 |
| | (04) | 10 | 3.495 | 4.240 | | 2-591651-7 |
| | (04)(04)(04)(04)(04)(04)(03)(03)(03)(03) | 10 | 3.495 | 4.240 | | 2-591651-6 |
| | (04) | 10 | 3.495 | 4.240 | | 2-591651-5 |
| | (04) | 8 | 2.875 | 3.620 | | 2-591651-4 |
| | (02) | 8 | 2.875 | 3.620 | | 2-591651-3 |
| | CH128475 (02)(03)(06)(07)(07)(03)(03) | 7 | 2.565 | 3.310 | | 2-591651-2 |
| | (02) | 7 | 2.565 | 3.310 | | 2-591651-1 |
| | (02) | 7 | 2.565 | 3.310 | | 2-591651-0 |
| | (02)(02)(02)(02)(06)(06) | 6 | 2.255 | 3.000 | | 1-591651-9 |
| | (04)(04)(03)(03)(02)(02) | 6 | 2.255 | 3.000 | | 1-591651-8 |
| | (04)(04)(04)(04)(04)(07) | 6 | 2.255 | 3.000 | | 1-591651-7 |
| | (04) | 6 | 2.255 | 3.000 | | 1-591651-6 |
| | (02) | 6 | 2.255 | 3.000 | | 1-591651-5 |
| | (02) | 6 | 2.255 | 3.000 | | 1-591651-4 |
| | (02)(02)(02)(07)(07) | 5 | 1.945 | 2.690 | | 1-591651-3 |
| | (02) | 5 | 1.945 | 2.690 | | 1-591651-2 |
| | (04) | 4 | 1.635 | 2.380 | | 1-591651-1 |
| | (02) | 4 | 1.635 | 2.380 | | 1-591651-0 |
| | (04)(04)(05) | 3 | 1.325 | 2.070 | | 591651-9 |
| | (02) | 3 | 1.325 | 2.070 | | 591651-8 |
| | (02)(05) | 2 | 1.015 | 1.760 | | 591651-7 |
| | (04)(03) | 2 | 1.015 | 1.760 | | 591651-6 |
| | (04) | 2 | 1.015 | 1.760 | | 591651-5 |
| | (02) | 2 | 1.015 | 1.760 | | 591651-4 |
| | (07) | 1 | .705 | 1.450 | | 591651-3 |
| | (04) | 1 | .705 | 1.450 | | 591651-2 |
| | (02) | 1 | .705 | 1.450 | | 591651-1 |

MARKING 

BUSSING ARRANGEMENT 

| | | | | |
|--|--|---------------------------|--|--------------------|
| THIS DRAWING IS A CONTROLLED DOCUMENT. | | DWN N.FRITZ 9-12-93 | Tyco Electronics Corporation Harrisburg, PA 17105-3608 | |
| DIMENSIONS: INCHES | | CHK R.RYAN 9-13-93 | NAME RAIL,FEED-BACK,SIZE 20,ENVIRONMENTAL, 1 ROW,TJ ASSY | |
| TOLERANCES UNLESS OTHERWISE SPECIFIED: 0 PLC ± - 1 PLC ± - 2 PLC ± - 3 PLC ± .005 4 PLC ± - ANGLES ± - | | APVD R.RYAN 9-13-93 | RESTRICTED TO | |
| MATERIAL | | PRODUCT SPEC | SIZE A2 | CAGE CODE 00779 |
| FINISH | | APPLICATION SPEC | DRAWING NO C=591651 | SCALE 1:1 |
| | | WEIGHT | SHEET 2 of 2 | REV A |
| | | CUSTOMER DRAWING | | |