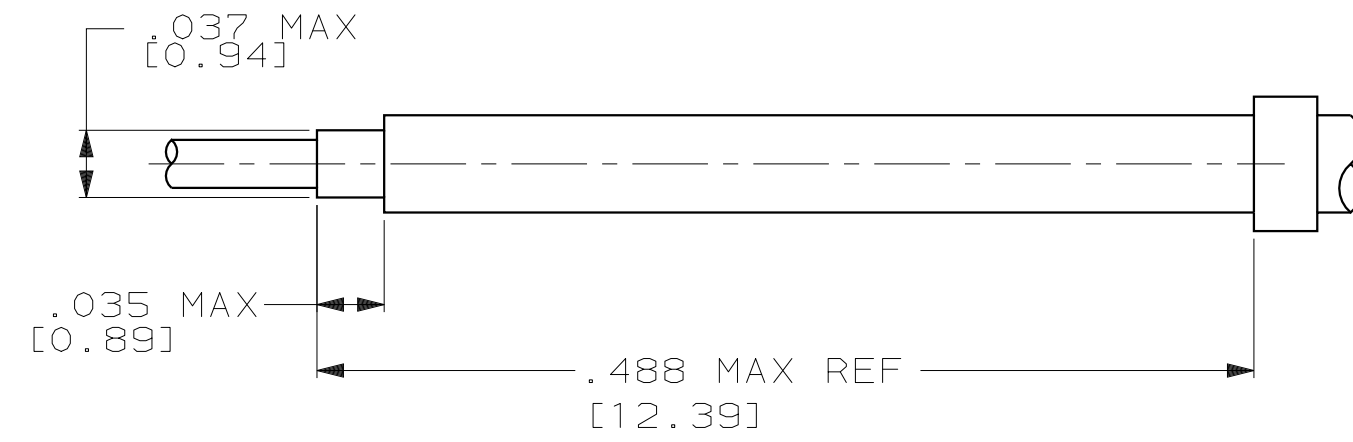
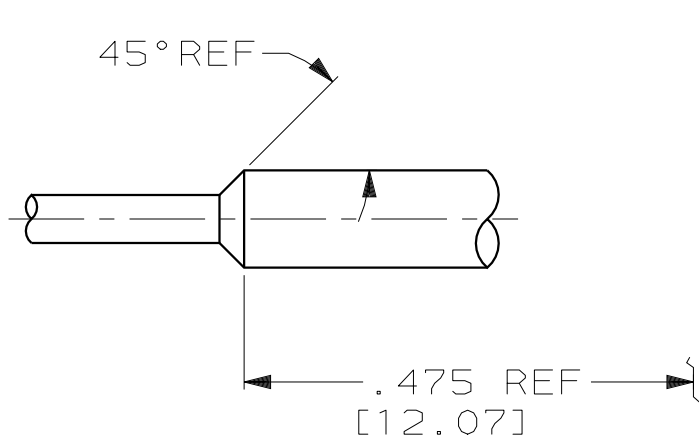
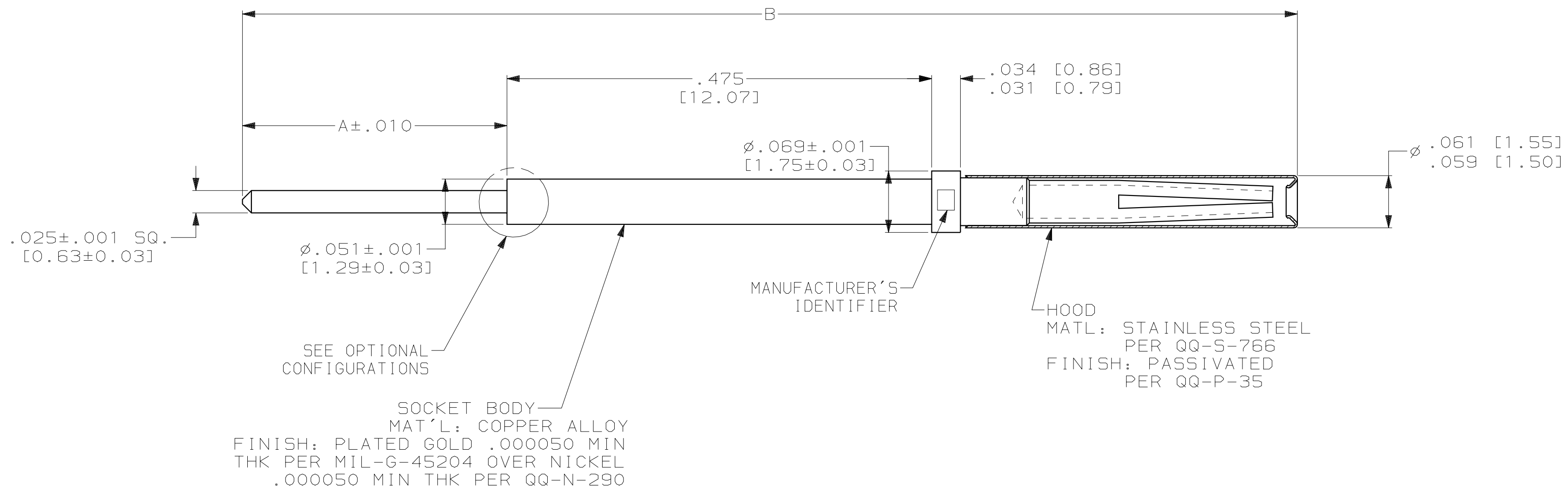


THIS DRAWING IS UNPUBLISHED. RELEASED FOR PUBLICATION, 19 .  
 © COPYRIGHT 19 BY AMP INCORPORATED. ALL INTERNATIONAL RIGHTS RESERVED.

LOC		DIST		P		F		ZONE		LTR		REVISIONS		DATE	APPD	
DF	AO											G	REV PER 0H14-0053-03	CT	4-1-04	SG



OPTIONAL CONFIGURATIONS

1.425 ± .015 [36.20 ± 0.38]	.539 [13.69]	208215-3
1.295 ± .015 [32.89 ± 0.38]	.409 [10.39]	208215-2
1.175 ± .015 [29.85 ± 0.38]	.289 [7.34]	208215-1
B DIM	A DIM	PART NO.

DO NOT SCALE PRINT.  
 UNLESS SPECIFIED  
 DIMENSIONS IN INCHES [mm]  
 TOLERANCES ON :  
 2 PLC DEC ± -  
 3 PLC DEC ± .005 [0.13]  
 ANGLES ± -  
 MATERIAL  
 SEE CALLOUTS  
 FINISH  
 SEE CALLOUTS

DR 5-1-91  
 C.C. THOMAS  
 CHK 4-22-96  
 A. SHARPE  
 APPD 4-22-96  
 A. SHARPE  
 APPD 4-22-96  
 C.C. THOMAS  
 PRODUCT SPEC  
 -  
 APPLICATION SPEC  
 -  
 WEIGHT -

<b>AMP</b> AMP Incorporated Harrisburg, PA 17105-3608		
NAME ASSY, CONTACT, SOCKET, POSTED, ARINC 600		
SIZE C	CAGE CODE 00779	DRAWING NO 208215
SCALE 10:1	SHEET 1 OF 1	