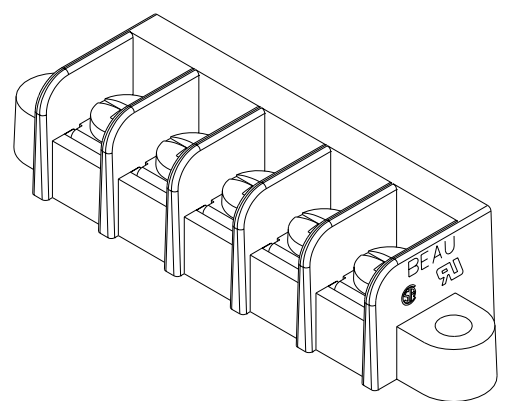
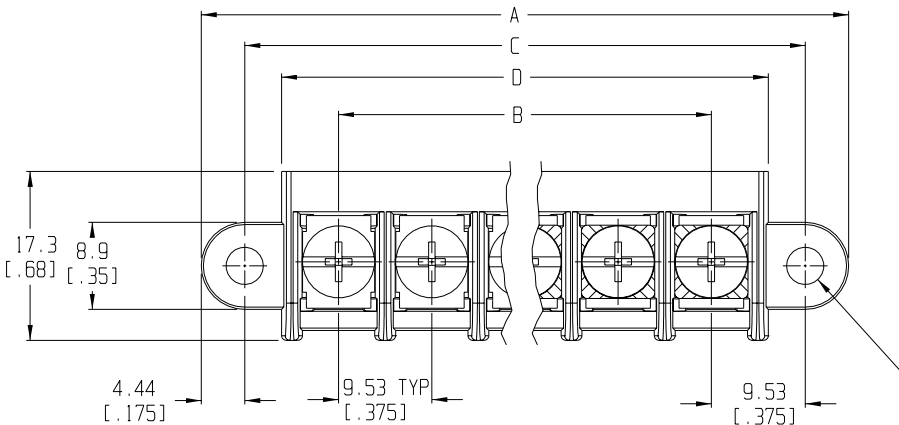
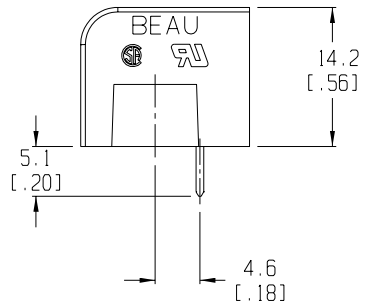
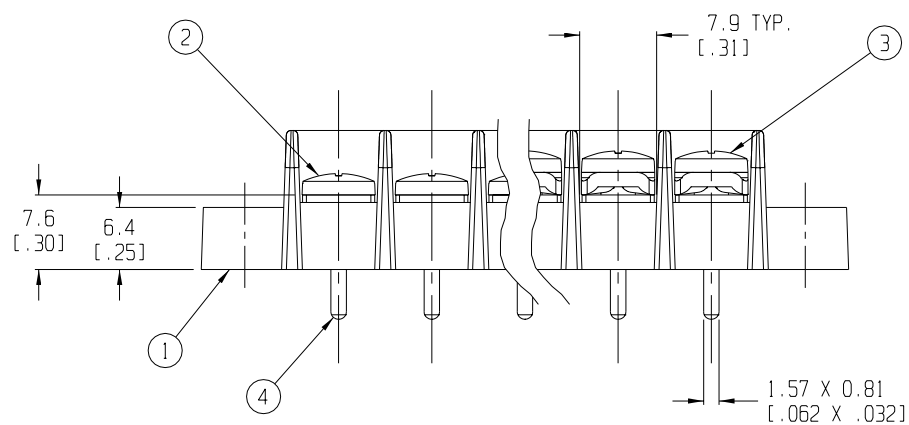


RECOMMENDED PTH PATTERN
SCALE 1:1



5 CIRCUIT SHOWN



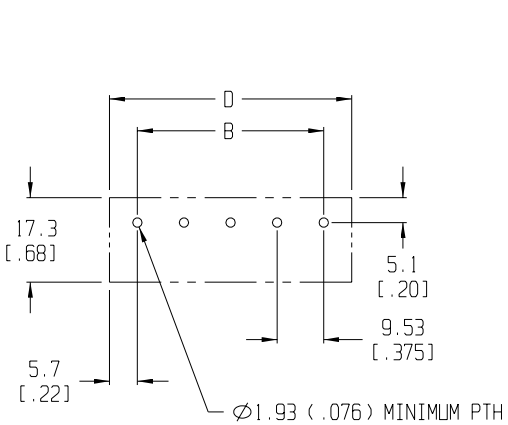
NOTES:

1. MATERIAL: SEE TABLE
2. FINISHES: SEE TABLE
3. PRODUCT SPECIFICATION: UL & CSA, 12-24 AWG
4. PACKAGING: NOT REQUIRED
5. MATES WITH: NONE
6. "XX" REFERS TO QTY. OF CIRCUITS
7. LENGTH TABLE SHOWN ON SHEET 2
8. REFER TO SD-38120-001 (-10A THRU -10D AND -11A THRU -11D)
OR SD-38120-002 (-10AT THRU -10DT AND -11AT THRU -11DT)
FOR OPTIONAL IMPRINTING.

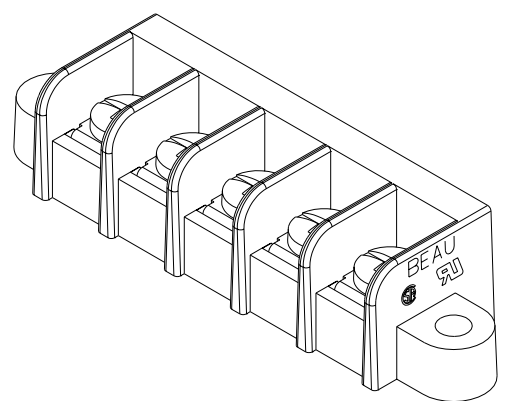
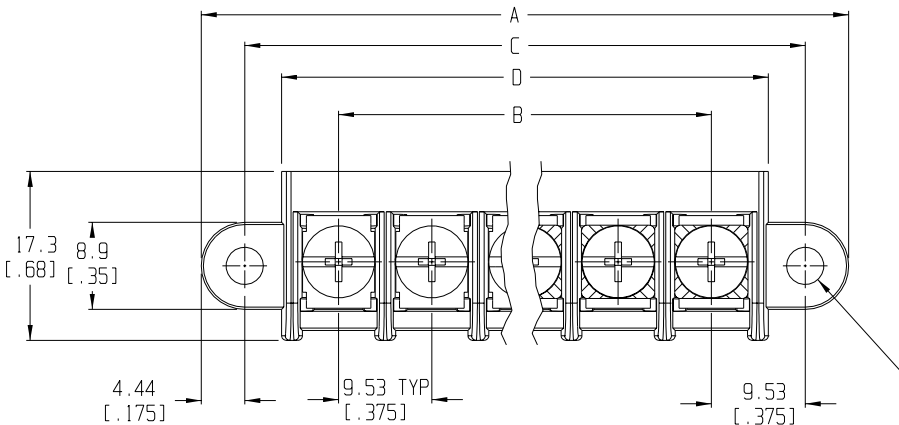
4	XX	TERMINAL	BRASS	TIN PLATE
3	XX	SCREW & WASHER (-50 OPT)	STEEL	ZINC CHROMATE
2	XX	SCREW (STD.)	STEEL	ZINC CHROMATE
1	1	BARRIER TERMINAL STRIP	THERMOPLASTIC	BLACK
ITEM	QTY.	DESCRIPTION	MATERIAL	FINISH

EC NO. RELEASED DRWN: CLY CHK: APPR: REV A	DESCRIPTION MAJOR CRITICAL SPC S	QUALITY SYMBOLS	GENERAL TOLERANCES: (UNLESS SPECIFIED)	SCALE 2:1	DESIGN UNITS <input type="checkbox"/> mm <input checked="" type="checkbox"/> INCH	THIRD ANGLE PROJECTION	PROJECT NO. -	I -
							DIMENSIONS: <input checked="" type="checkbox"/> mm <input type="checkbox"/> INCH <input type="checkbox"/> mm ONLY	SHT REV
								REVISE ON CAD ONLY
				DRAWN BY & DATE C. YORK 7-29-03	TITLE: SR BTS, PC TERMINAL			
				CHECKED BY & DATE	MOLEX INCORPORATED			
				APPROVED BY & DATE				
				CAD FILENAME 755XX	MATERIAL NO. SEE SHEET 2	DRAWING NO. SD-38750-001	SHEET NO. 1 OF 2	SIZE B
THIS DRAWING CONTAINS INFORMATION THAT IS PROPRIETARY TO MOLEX INCORPORATED AND SHOULD NOT BE USED WITHOUT WRITTEN PERMISSION.								

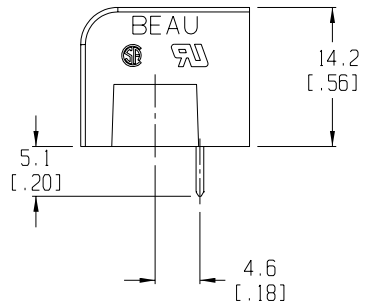
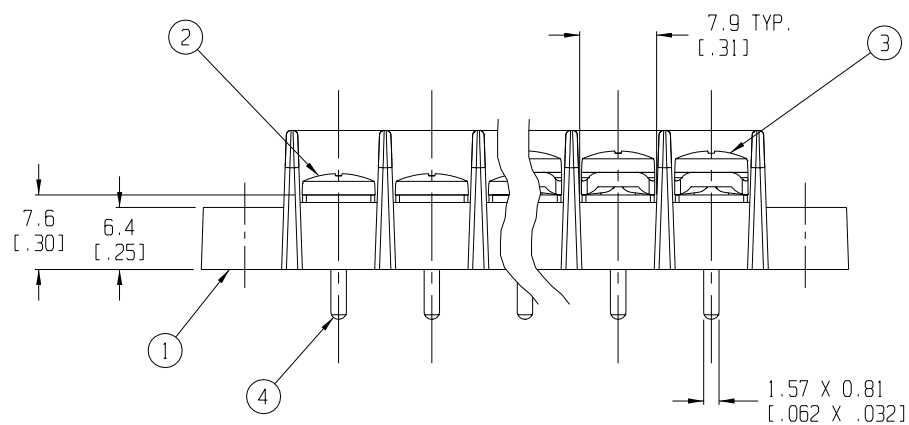
10 9 8 7 5 4 3 2 1



RECOMMENDED PTH PATTERN
SCALE 1:1



5 CIRCUIT SHOWN



NOTES:

1. MATERIAL: SEE TABLE
2. FINISHES: SEE TABLE
3. PRODUCT SPECIFICATION: UL & CSA, 12-24 AWG
4. PACKAGING: NOT REQUIRED
5. MATES WITH: NONE
6. "XX" REFERS TO QTY. OF CIRCUITS
7. LENGTH TABLE SHOWN ON SHEET 2
8. REFER TO SD-38120-001 (-10A THRU -10D AND -11A THRU -11D)
OR SD-38120-002 (-10AT THRU -10DT AND -11AT THRU -11DT)
FOR OPTIONAL IMPRINTING.

4	XX	TERMINAL	BRASS	TIN PLATE
3	XX	SCREW & WASHER (-50 OPT)	STEEL	ZINC CHROMATE
2	XX	SCREW (STD.)	STEEL	ZINC CHROMATE
1	1	BARRIER TERMINAL STRIP	THERMOPLASTIC	BLACK
ITEM	QTY.	DESCRIPTION	MATERIAL	FINISH

EC NO. RELEASED DRWN: CLY CHK: APPR: REV A	DESCRIPTION MAJOR CRITICAL SPC	QUALITY SYMBOLS	GENERAL TOLERANCES: (UNLESS SPECIFIED)	SCALE 2:1	DESIGN UNITS <input type="checkbox"/> mm <input checked="" type="checkbox"/> INCH	THIRD ANGLE PROJECTION	PROJECT NO. -	I	-
							DIMENSIONS: <input checked="" type="checkbox"/> mm <input type="checkbox"/> INCH <input type="checkbox"/> mm ONLY	SHT	REV
								REVISE ON CAD ONLY	
						TITLE: SR BTS, PC TERMINAL			
						MATERIAL NO. SEE SHEET 2			
						DRAWING NO. SD-38750-001			
						SHEET NO. 1 OF 2			
						THIS DRAWING CONTAINS INFORMATION THAT IS PROPRIETARY TO MOLEX INCORPORATED AND SHOULD NOT BE USED WITHOUT WRITTEN PERMISSION.			
						SIZE B			

10	9	8	7	5	4	3	2	1
----	---	---	---	---	---	---	---	---