



50W
REPLACEMENT

LED EP16-4000ew

Part #: EBP16DM/M/7W/450/40D/30K/GU10/E Bulb Class: PAR16

3000K
CCT



90+
CRI
True
COLOR

JA8
COMPLIANT

Product Description

LED EP16-4000ew delivers superior brightness, valuable energy savings, long lasting performance and true color perception. These PAR16 LED spot bulbs are ideal for task lighting due to its uniform *soft white light (3000K) and replace conventional 50 Watt incandescent light bulbs. Enjoy features such as: instant on, dimming options, shatter resistance, mercury free, 90+CRI and damp rated.



Estimated Energy Cost: \$0.84 per year

*Note: Design, features and specifications subject to change without notice. Some features may not be available on all models. For more information regarding dimmer compatibility please visit: www.eurilighting.com or call 1-888-743-5766

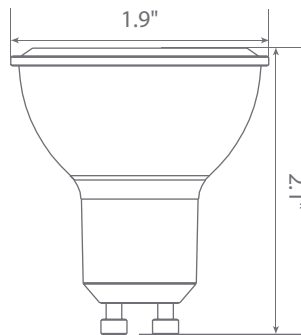
Specifications

Input Power	Input Voltage	Lumen Output	Beam Angle	Center Beam	CCT
7 W	120V/60Hz	450 lm	40°	N/A	3000 K
CRI	Luminous Efficacy	Power Factor	Input Current	Base/Cap	Lamp Lifespan
90	64 lm/W	0.9	0.07 A	GU10	25,000 Hrs.

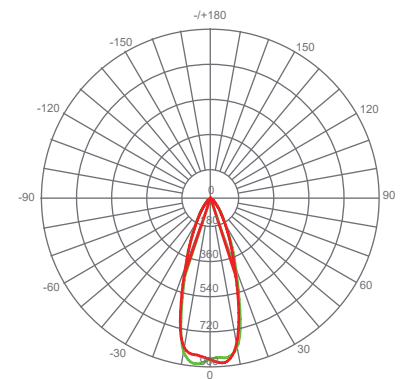
Product Features

- Dimmable
- Instant-On/Off
- Mercury Free
- Damp Rated

Product Dimensions



Product Photometric Data



Euri Lighting | A Division of IRTRONIX Inc.

20900 Normandie Avenue Bldg. B, Torrance, CA 90502 | Tel: 888.743.5766 | Fax: 310.787.1166 | www.eurilighting.com
©2018 Euri Lighting. All Rights Reserved