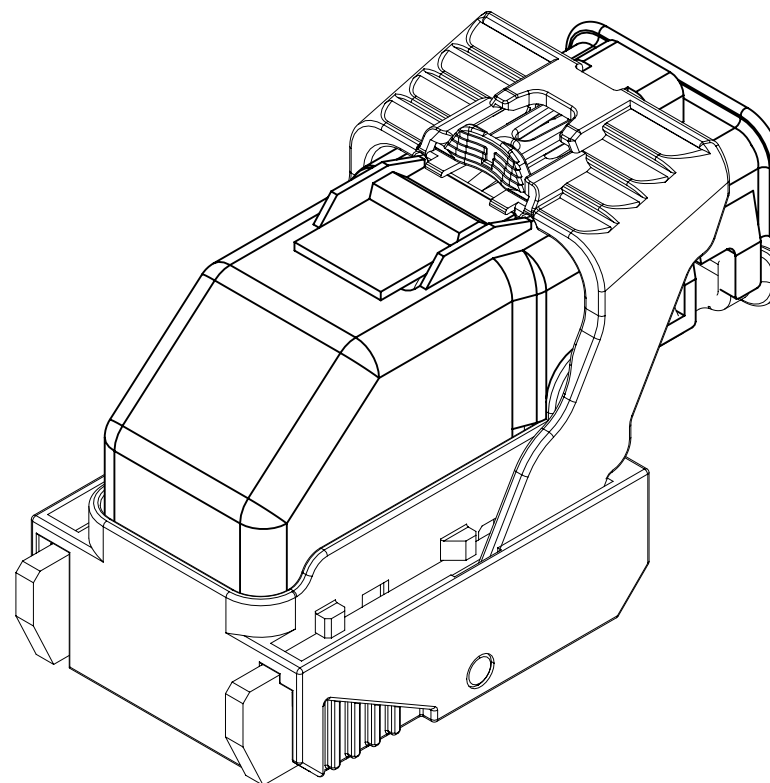

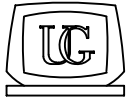


| INDEX | |
|---|------|
| PAGE TITLE | PAGE |
| TITLE BLOCK | 1 |
| REVISION BLOCK | 2 |
| PART BLOCK | 3 |
| KPC BLOCK | 4 |
| COMPONENT TABLE | 5 |
| NOTES | 6 |
| NOTES | 7 |
| WIRE DRESS PACKAGING DIMENSIONS | 8 |
| LOCATION AND PACKAGING DIMENSIONS REFERENCING INTERFACE DATUMS B & C | 9 |
| LOCATION AND PACKAGING DIMENSIONS REFERENCING INTERFACE DATUM A | 10 |
| KEY ID REF - WIRE DRESS OPTION 0 | 11 |
| KEY ID REF - WIRE DRESS OPTION 9 | 12 |
| CIRCUIT CONFIGURATIONS | 13 |
| CIRCUIT CONFIGURATIONS | 14 |
| COMPONENT CONNECTOR INTERFACE | 15 |
| COMPONENT CONNECTOR INTERFACE | 16 |
| COMPONENT CONNECTOR INTERFACE | 17 |
| COMPONENT CONNECTOR INTERFACE | 18 |
| COMPONENT CONNECTOR INTERFACE | 19 |
| COMPONENT CONNECTOR INTERFACE | 20 |
| COMPONENT CONNECTOR INTERFACE | 21 |
| COMPONENT CONNECTOR INTERFACE | 22 |




ISO VIEW

| | | | | |
|---|--|---|--------------------|---------|
|  | THIS DOCUMENT IS IN ACCORDANCE WITH ASME Y14.5M-1994 AS AMENDED BY THE GM GLOBAL DIMENSIONING AND TOLERANCING ADDENDUM - 2004. | | | DATE |
| |  CHANGE RESTRICTED NO MANUAL CHANGES | REFERENCE 12H (MOLEX AUTOMOTIVE) | DRAFTER D. KOEHLER | 28AP15 |
| APVD1 M.R. OOSTERINK | | | 29AP15 | |
| DO NOT SCALE | METRIC DIMENSIONS SHOWN IN MILLIMETERS UNLESS OTHERWISE SPECIFIED | APVD2 J. SWARTZ | 29AP15 | |
| | | APVD3 G. FLECK | 08MY15 | |
| | | APVD4 | | |
| | | APVD5 | | |
| | | DRAWING NAME HARNESS CONN ASM-SEALED 18/49/56 CKTS, MX123 | | |
| | | DRAWING NUMBER | PAGE NUMBER | |
| | | 12642694 | ST | REV |
| | | | PD1 | |
| | | | R | 001 |
| | | | | 1 of 22 |

| PAGE | DWG STATUS | | | | | REVISION HISTORY | AUTH | DR | CK | ENG |
|------|------------|----|-----|-----|-----|------------------|------|----|----|-----|
| | DATE | ST | REV | CHG | PDI | | | | | |

| PAGE | DWG STATUS | | | | | REVISION HISTORY | AUTH | DR | CK | ENG |
|------|------------|----|-----|-----|-----|---------------------------------|--------|-----|-----|-----|
| | DATE | ST | REV | CHG | PDI | | | | | |
| | 08MY15 | R | 001 | | | RELEASED TO PRODUCTION AT DLS A | CRMRJD | DFK | MRO | GF |

| | | | | | | | |
|---|----------------|----------------|------------|----|-----|-------------|-----|
|  | PAGE TITLE | DRAWING NUMBER | DWG STATUS | | | PAGE NUMBER | |
| | REVISION BLOCK | | 12642694 | ST | REV | | PDI |
| | | | | R | 001 | | |

KEY PRODUCT CHARACTERISTICS
(IN ACCORDANCE WITH QN 1805 OR ON 1050)



SAFETY/COMPLIANCE

TOTAL ON
DRAWING

5



FIT/FUNCTION

LAST NO.
USED

5

| NO | TYPE | DESCRIPTION | RATIONALE | PAGE/ZONE |
|----|------|---------------------------------|------------------------------------|-----------|
| 1 | F/F | 32.68 | IMPROVE CONNECTOR SYSTEM MATING | 16 |
| 2 | F/F | 29.00 | INSURE PROPER RELEASE OF LEVER | 16 |
| 3 | F/F | 15.25 | INSURE FINAL MATE POSITION | 17 |
| 5 | F/F | POSITIONAL TOLERANCE (2 PLACES) | INSURE CONNECTOR SYSTEM MATIBILITY | 20 |



PAGE TITLE
KPC BLOCK

DRAWING NUMBER

12642694

DWG STATUS

| | | |
|----|-----|-----|
| ST | REV | PD1 |
|----|-----|-----|


| | | |
|---|-----|--|
| R | 001 | |
|---|-----|--|

PAGE NUMBER

4 OF 22

| P. No | MFG. | MFG. P/N | GM P/N | Effective Date | APPLICABLE COMPONENTS | Key Option | Wire Dress Option | Key Config. | Color | Status |
|-------|--------|--------------|-------------|----------------|---|------------|-------------------|-------------|---------|------------|
| | | | | | DESCRIPTION | | | | | |
| 1 | Molex | 34575-0003 | 12582679 | 02JN03 | WIRE HARNESS COVER | N/A | NA | N/A | BLACK | AVAILABLE |
| 2 | Molex | 34576-0103 | 12666118 | 31JL15 | HARN CONN ASM 49 CKT | A | 0 | 1458 | BLACK | ACTIVE |
| 3 | Molex | 34576-0203 | 12650786 | T.B.D. | HARN CONN ASM 49 CKT | B | 0 | 1468 | ST GRAY | NOT ACTIVE |
| 4 | Molex | 34576-0303 | 12666120 | 31JL15 | HARN CONN ASM 49 CKT | C | 0 | 2467 | BLUE | ACTIVE |
| 5 | Molex | 34576-0403 | 12615660 | T.B.D. | HARN CONN ASM 49 CKT | D | 0 | 2367 | BROWN | NOT ACTIVE |
| 6 | Molex | 34576-0503 | 12615661 | T.B.D. | HARN CONN ASM 49 CKT | E | 0 | 2468 | GREEN | NOT ACTIVE |
| 7 | Molex | 34576-0603 | 12615662 | T.B.D. | HARN CONN ASM 49 CKT | F | 0 | 1357 | NATURAL | NOT ACTIVE |
| 8 | Molex | 34576-0703 | 12582680 | 11JN04 | HARN CONN ASM 56 CKT | G | 0 | 1358 | BLUE | AVAILABLE |
| 9 | Molex | 34576-0803 | 12582681 | 11JN04 | HARN CONN ASM 56 CKT | H | 0 | 2458 | ST GRAY | AVAILABLE |
| 10 | Molex | 34576-0903 | 12615658 | T.B.D. | HARN CONN ASM 56 CKT | J | 0 | 2457 | BLACK | NOT ACTIVE |
| 11 | Molex | 34576-1003 | AVA77166 | T.B.D. | HARN CONN ASM 56 CKT | K | 0 | 2357 | BROWN | NOT ACTIVE |
| 12 | Molex | 34576-1103 | AVA77167 | T.B.D. | HARN CONN ASM 56 CKT | L | 0 | 2368 | GREEN | NOT ACTIVE |
| 13 | Molex | 34576-1203 | AVA77168 | T.B.D. | HARN CONN ASM 56 CKT | M | 0 | 2358 | NATURAL | NOT ACTIVE |
| 14 | Molex | 34576-1303 | 12666119 | 31JL15 | HARN CONN ASM 49 CKT | A | 9 | 1458 | BLACK | ACTIVE |
| 15 | Molex | 34576-1403 | 12650787 | T.B.D. | HARN CONN ASM 49 CKT | B | 9 | 1468 | ST GRAY | NOT ACTIVE |
| 16 | Molex | 34576-1503 | 12666121 | 31JL15 | HARN CONN ASM 49 CKT | C | 9 | 2467 | BLUE | ACTIVE |
| 17 | Molex | 34576-1603 | 12615663 | T.B.D. | HARN CONN ASM 49 CKT | D | 9 | 2367 | BROWN | NOT ACTIVE |
| 18 | Molex | 34576-1703 | 12615664 | T.B.D. | HARN CONN ASM 49 CKT | E | 9 | 2468 | GREEN | NOT ACTIVE |
| 19 | Molex | 34576-1803 | 12615665 | T.B.D. | HARN CONN ASM 49 CKT | F | 9 | 1357 | NATURAL | NOT ACTIVE |
| 20 | Molex | 34576-1903 | 12603600 | 11JN04 | HARN CONN ASM 56 CKT | G | 9 | 1358 | BLUE | AVAILABLE |
| 21 | Molex | 34576-2003 | 12603601 | T.B.D. | HARN CONN ASM 56 CKT | H | 9 | 2458 | ST GRAY | NOT ACTIVE |
| 22 | Molex | 34576-2103 | 12615659 | T.B.D. | HARN CONN ASM 56 CKT | J | 9 | 2457 | BLACK | NOT ACTIVE |
| 23 | Molex | 34576-2203 | AVA77192 | T.B.D. | HARN CONN ASM 56 CKT | K | 9 | 2357 | BROWN | NOT ACTIVE |
| 24 | Molex | 34576-2303 | AVA77193 | T.B.D. | HARN CONN ASM 56 CKT | L | 9 | 2368 | GREEN | NOT ACTIVE |
| 25 | Molex | 34576-2403 | AVA77143 | T.B.D. | HARN CONN ASM 56 CKT | M | 9 | 2358 | NATURAL | NOT ACTIVE |
| 26 | Molex | 34851-0007 | 12644156 | 31AU15 | HARN CONN ASM 18 CKT | G | 0 | 1358 | BLUE | ACTIVE |
| 27 | Molex | 34851-0008 | 12644158 | 31AU15 | HARN CONN ASM 18 CKT | H | 0 | 2458 | ST GRAY | ACTIVE |
| 28 | Molex | 34851-0019 | 12644157 | 31AU15 | HARN CONN ASM 18 CKT | G | 9 | 1358 | BLUE | ACTIVE |
| 29 | Molex | 34851-0020 | 12644159 | 31AU15 | HARN CONN ASM 18 CKT | H | 9 | 2458 | ST GRAY | ACTIVE |
| 30 | Molex | 34736-2002 | 12642697 | 01AU10 | MX64 RCPT TERM Ag 18/20 GAGE B (RIGHT PAYOFF) | N/A | N/A | N/A | N/A | AVAILABLE |
| 31 | Molex | 34736-2001 | 12642696 | 01AU10 | MX64 RCPT TERM Ag 22 GAGE B (RIGHT PAYOFF) | N/A | N/A | N/A | N/A | AVAILABLE |
| 32 | Molex | 34586-0001 | T.B.D. | 11JN04 | MX123 0.64MM GROMMET PLUG | N/A | N/A | N/A | NATURAL | AVAILABLE |
| 33 | Yazaki | 7116-4150-02 | 12588066 | 02JN03 | 2.8mm YESC SEALED FEMALE TERMINAL TIN 20/22 GAGE (CABLE RANGE 0.30mm-0.60mm) | N/A | N/A | N/A | N/A | NOT ACTIVE |
| 34 | Yazaki | 7116-4151-02 | 12588067 | 02JN03 | 2.8mm YESC SEALED FEMALE TERMINAL TIN 16/18 GAGE (CABLE RANGE 0.75mm-1.40mm) | N/A | N/A | N/A | N/A | NOT ACTIVE |
| 35 | Yazaki | 7116-4152-02 | 12582685 | 02JN03 | 2.8mm YESC SEALED FEMALE TERMINAL TIN 14 GAGE (CABLE RANGE 1.50mm-2.50mm) | N/A | N/A | N/A | N/A | AVAILABLE |
| 36 | Yazaki | 7158-3111-60 | 12588068 | 02JN03 | 2.8mm CABLE SEAL (wire O.D. range 1.20mm-1.90mm) | N/A | N/A | N/A | GREEN | NOT ACTIVE |
| 37 | Yazaki | 7158-3112-70 | 12588069 | 02JN03 | 2.8mm CABLE SEAL (wire O.D. range 1.80mm-2.30mm) | N/A | N/A | N/A | YELLOW | NOT ACTIVE |
| 38 | Yazaki | 7158-3113-40 | 12582686 | 02JN03 | 2.8mm CABLE SEAL (wire O.D. range 2.18mm-3.00mm) | N/A | N/A | N/A | WHITE | AVAILABLE |
| 39 | Yazaki | 7158-3114-90 | T.B.D. | 02JN03 | 2.8mm YESC CAVITY PLUG | N/A | N/A | N/A | BLUE | AVAILABLE |
| 40 | FCI | 33140138 | 12646399 | 10JA14 | 6.35mm APEX RCPT TERM Sn/Ag GRIP CODE-10 (6mm2) - Greased | N/A | N/A | N/A | N/A | AVAILABLE |
| 41 | FCI | 33140135 | 12654556 | 10JA14 | 6.35mm APEX RCPT TERM Sn/Ag GRIP CODE-TBD (1mm2) - Greased | N/A | N/A | N/A | N/A | AVAILABLE |
| 42 | QSR | A-0549C | 12646688 | 01SE14 | 6.35mm CABLE SEAL (FOR 6.0mm2 WIRE SIZE - 3.6 TO 4.2mm INSULATION OD) | N/A | N/A | N/A | WHITE | AVAILABLE |
| 43 | QSR | A-0549B | 12654557 | 01SE14 | 6.35mm CABLE SEAL (FOR 0.75-1.25mm2 WIRE SIZE - 1.8 TO 2.3mm INSULATION OD) | N/A | N/A | N/A | BLUE | AVAILABLE |
| 44 | Molex | 63811-4200 | XX019825 | 02JN03 | MX64 TERM HAND CRIMP TOOL | N/A | N/A | N/A | N/A | AVAILABLE |
| 45 | Molex | 63813-1400 | XX019826 | 02JN03 | MX64 TERM SERVICE TOOL | N/A | N/A | N/A | N/A | AVAILABLE |
| 46 | Molex | 63865-8000 | XX019827 | 02JN03 | MX64 CRIMP APPLICATOR with TOOL KIT 18/20 GAGE PAYOFF DIRECTION D (left payoff) (contact Molex for payoff detail) | N/A | N/A | N/A | N/A | AVAILABLE |
| 47 | Molex | 63865-8070 | XX019828 | 02JN03 | MX64 APPLICATOR TOOL KIT 18/20 GAGE | N/A | N/A | N/A | N/A | AVAILABLE |
| 48 | Molex | 63865-8100 | XX019829 | 02JN03 | MX64 CRIMP APPLICATOR with TOOL KIT 22 GAGE PAYOFF DIRECTION D (left payoff) (contact Molex for payoff detail) | N/A | N/A | N/A | N/A | AVAILABLE |
| 49 | Molex | 63865-8170 | XX019830 | 02JN03 | MX64 APPLICATOR TOOL KIT 22 GAGE | N/A | N/A | N/A | N/A | AVAILABLE |
| 50 | SPX | J35616-64 | T.B.D. | 02JN03 | 0.64mm PROBE TOOL (for rcpt) | N/A | N/A | N/A | N/A | AVAILABLE |
| 51 | SPX | J35616-64A | T.B.D. | 02JN03 | 0.64mm PROBE TOOL WITH EXT (for rcpt) | N/A | N/A | N/A | N/A | AVAILABLE |
| 52 | SPX | J35616-65 | T.B.D. | 02JN03 | 0.64mm PROBE TOOL WITH EXT (for pin) | N/A | N/A | N/A | N/A | AVAILABLE |
| 53 | SPX | J35616-4A | T.B.D. | 02JN03 | 2.8mm PROBE TOOL (for rcpt) | N/A | N/A | N/A | N/A | AVAILABLE |
| 54 | YAZAKI | X39899-J374 | 12094430 | 02JN03 | 2.8mm TERM SERVICE TOOL | N/A | N/A | N/A | N/A | AVAILABLE |
| 55 | TQ1 | 7000-1001 | N/A | 01FE15 | 18CKT PASS THROUGH ADAPTERS | N/A | N/A | N/A | BLACK | AVAILABLE |
| 56 | TQ1 | 7000-1004 | N/A | 01FE15 | 49CKT PASS THROUGH ADAPTERS | N/A | N/A | N/A | BLACK | AVAILABLE |
| 57 | TQ1 | 79917-0060 | N/A | 02JA08 | 56CKT PASS THROUGH ADAPTERS | N/A | N/A | N/A | BLACK | AVAILABLE |
| 58 | Molex | 63813-1500 | J-38125-217 | 01SE14 | 6.35mm APEX TERM SERVICE TOOL | N/A | N/A | N/A | N/A | AVAILABLE |

* MX123 WIRE HARNESS COVER MATES TO ANY 18/49/56 CKT MX123 HARN CONN ASSY SHOWN ON THIS TABLE

| | | | | | | |
|---|-----------------|----------------|------------|-----|-----|-------------|
|  | PAGE TITLE | DRAWING NUMBER | DWG STATUS | | | PAGE NUMBER |
| | COMPONENT TABLE | 12642694 | ST | REV | PDI | 5 of 22 |
| | | | R | 001 | | |

NOTES: UNLESS OTHERWISE SPECIFIED

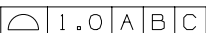
1. MATERIAL FOR INTERFACE:

- A. RESIN:
 - 1. 30% G.F. PBT; 20% MAX. (BY WEIGHT) REGRIND.
 - 2. MATING CONNECTOR INTERFACE PART COLOR MUST BE SAME AS MATCHING KEYED HARNESS CONNECTOR ASSEMBLY.
 - 3. MUST BE VALIDATED FOR INDIVIDUAL DEVICE APPLICATION REQUIREMENTS.
- B. 0.64MM PINS:
 - 1. BASE MATERIAL: COPPER ALLOY; CONDUCTIVITY >= 28% IACS AT 20°C; TENSILE STRENGTH >= 635 N/mm²; SURFACE ROUGHNESS R_a 6 MAX.
 - 2. PLATING FINISH: SILVER (Ag). PLATING TO BE 1.9-3.3 μm ELECTRODEPOSITED SEMI-BRIGHT SILVER OVER 1.25-2.25 μm DUCTILE SULPHAMATE NICKEL PER NOTE 1(D).
 - 3. ANTI-TARNISH: SYNTHETIC HYDROCARBON CONTACT SURFACE FINISH OR EQUIVALENT APPLIED WITHOUT VOID TO CONTACT AREA (MIN 3.7mm FROM PIN TIP).
- C. 2.8MM BLADE:
 - 1. BASE MATERIAL: COPPER ALLOY; CONDUCTIVITY >= 28% IACS AT 20°C; TENSILE STRENGTH >= 350 N/mm²; SURFACE ROUGHNESS R_a 6 MAX.
 - 2. PLATING FINISH: TIN. PLATING TO BE 2.5-5.0 μm ELECTRODEPOSITED TIN, MATTE FINISH OVER 1.25-2.5μm DUCTILE SULPHAMATE NICKEL PER NOTE 1(D).
- D. 6.3MM BLADE:
 - 1. BASE MATERIAL: COPPER ALLOY; CONDUCTIVITY >= 50% IACS AT 20°C;
 - 2. PLATING FINISH: SILVER (Ag) PLATING TO BE 1.9-3.3 μm ELECTRODEPOSITED SEMI-BRIGHT SILVER, OVER 1.25-2.5μm DUCTILE SULPHAMATE NICKEL PER NOTE 1(D) WITH ENVIRONMENTAL BARRIER OR TIN/SILVER (ELECTRO-DEPOSITED), UNDERPLATE 0.5-2.0 μm NICKEL OR COPPER. TOP PLATING: 1.0-3.0 μm (SILVER RANGE 3.75-X.XX NO ANTI-TARNISH COATING REQUIRED).

E. PLATING REQUIREMENTS:


- 1. SILVER PLATING
 - a. 99.5% PURE SEMI-BRIGHT WITH NO ORGANIC BRIGHTNERS OR CHROMATES.
- 2. NICKEL PLATING
 - a. ELECTRODEPOSITED DUCTILE SULFAMATE NICKEL WITH A NON-BRIGHTENED FINISH. NO ORGANIC OR BRIGHTENING AGENTS SHALL BE ALLOWED.
 - b. SHALL ONLY BE USED AS AN UNDERLYING PLATING AND MAY NOT BE USED AS AN ELECTRICAL CONTACT SURFACE PLATING.
 - c. SHALL BE NODULE FREE WHEN VIEWED AT 10X MAGNIFICATION IN MEASURED IN CONTACT SURFACE AREA PLUS 0.5MM PERIMETER AROUND THE CONTACT SURFACE AREA.
 - d. ALL PLATINGS SHALL HAVE A 1.0% MAXIMUM BY WEIGHT IMPURITIES. IMPURITIES ARE DEFINED AS ALL ELEMENTS NOT THE PRIMARY PLATING OR HARDENING AGENT IF APPLICABLE, AS DETERMINED BY WET CHEMICAL ANALYSIS OR AUGER METHOD. NO SINGLE IMPURITY SHALL EXCEED 0.1% MAXIMUM BY WEIGHT.
- 3. TESTING
 - a. THICKNESS TO BE MEASURED IN CONTACT SURFACE AREA PLUS 0.5MM PERIMETER AROUND THE CONTACT SURFACE AREA AS DESIGNATED IN THE DRAWING. THICKNESS SHALL BE DETERMINED BY METHOD OF X-RAY (XRF).
 - b. PLATING ADHESION SHALL BE TESTED BY A BEND TEST FOR ALL METALS. THE TEST SAMPLE SHALL BE BENT 90 DEGREES TO DETERMINE DEPOSIT ADHESION. TESTING SHALL BE COMPLETED IN ACCORDANCE WITH ASTM SPEC B571.

2. DESIGN - GENERAL:

- A. THIS IS A 100% CAD GENERATED PART. THE CAD MATHEMATICAL DATA IS THE MASTER FOR THIS PART. WHERE DIMENSIONS ARE SPECIFIED ON THE DRAWING, THE DRAWING IS THE AUTHORITY FOR DIMENSIONAL VALUES. FOR DIMENSIONAL OR ANY INFORMATION NOT SHOWN ON THIS DRAWING, ANALYZE THE CAD MODEL.
- B. DIMENSIONS OBTAINED FROM THE DIGITAL MODEL ARE BASIC:
 - 1. FOR RELATIONSHIPS BETWEEN FEATURES WHEN ESTABLISHED BY GEOMETRIC TOLERANCES.
 - 2. FOR THE FORM OF A FEATURE WHEN CONTROLLED BY A PROFILE TOLERANCE.
 - 3. FOR THE SIZE, FORM AND/OR RELATIONSHIP BETWEEN FIXED DATUM TARGETS.
- C. DIMENSIONS OBTAINED FROM THE DIGITAL MODEL ARE ROUNDED TO TWO DECIMAL PLACES (PER IEEE/ASTM SI 10-2002)
- D. VIEWS AND SECTIONS ON THIS DRAWING ARE IN ACCORDANCE WITH GM DCS SECTION C3.
- E. THE DIGITAL MODEL MUST CORRESPOND TO THE RELEASE LEVEL SHOWN IN THE PART BLOCK ON THIS DOCUMENT.
- F. TOLERANCES:
 - 1. LINEAR
 - 0.X ± 0.30
 - 0.XX ± 0.10
 - 0.XXX ± 0.10
 - 2. ANGULAR X° ± 3°
 - 3.  1.0 A B C
- G. MINIMUM WALL THICKNESS REQUIRED: 1.3mm.
- H. CORNERS SHOWN AS SHARP TO BE R 0.2 MAX.
- J. LETTERING SHALL BE 0.15 MAX RAISED IN 0.20 MAX RECESS PAD. THIS INCLUDES MATERIAL CODE, RECYCLING CODE, CAVITY ID AND DATE CODE.
- K-1. PARTS MUST BE FREE OF DISCOLORATION, SALT RESIDUE AND OTHER IMPERFECTIONS THAT AFFECT FIT OR FUNCTION.
- K-2. SCRATCHES OR DENTS NOT TO EXCEED 0.013mm IN DEPTH.
- L. FOLLOWING PRODUCTION CODES TO BE PERMANENTLY MARKED & HUMAN READABLE TO A LETTER HEIGHT OF 1.5 ± 0.5MM X 0.3 MAX DEEP
 - 1. MATERIAL #: XXXXX-XXXX
 - 2. DATE CODE: JJYY (JULIAN DAY, LAST DIGIT OF YEAR)
 - 3. INSPECTION MACHINE CODE + SERIAL #: X_XXXXX

3. DESIGN - MANUFACTURING:

- A. DRAFT TO BE WITHIN TOLERANCE.
- B. ALLOWABLE FLASH MAX 0.2 HIGH X MAX 0.13 THICK.
- C. ALLOWABLE PARTING LINE MISMATCH 0.2 MAX.
- D. EJECTOR PINS MARK TO BE FLUSH TO 0.25 MAX DEPRESSED.
- E. ALLOWABLE GATE VESTIGE FLUSH TO 0.25 MAX PROTRUSION.
- F. NO EXTERNAL MOLD RELEASE AGENT ALLOWED DURING MANUFACTURING.
- G. STEEL THAT FORMS THE INDICATED SURFACE MUST BE POLISHED WITH A DIAMOND FINISH (SPI A-2) OVER THE FULL PERIPHERY OF THE TOOL. SURFACE MUST HAVE NO MISMATCH.
- H. ANY PROCESS LUBRICANT REMAINING ON THE TERMINAL MUST NOT VARNISH OR DEGRADE IT'S ELECTRICAL PERFORMANCE UP TO A MAXIMUM CLASS AMBIENT TEMPERATURE PER SAE USCAR-2 FOR 1008 HOURS. PROCESS LUBRICANTS SHOULD BE APPROVED BY THE RESPONSIBLE ENGINEER.
- J. OPTIONAL FEATURES PROVIDED FOR AUTOMATION.
- K. PART MUST BE FREE FROM BURRS AND SHARP EDGES, WHICH MIGHT BE DETRIMENTAL TO SATISFACTORY ASSEMBLY, SAFE HANDLING OR FUNCTION OF PART.
- L. PARTS AS DELIVERED TO ASSEMBLY SHALL BE CLEAN AND FREE OF DEBRIS, RESIDUAL ABRASIVE MATERIAL AND CORROSION PRODUCTS ADVERESLY AFFECTING FUNCTION OR APPEARANCE.
- M. RESTRICTED AND REPORTABLE SUBSTANCES FOR PARTS PER GMW3059.

| | | | | | | | |
|---|------------|----------------|------------|----|-----|-------------|---------|
|  | PAGE TITLE | DRAWING NUMBER | DWG STATUS | | | PAGE NUMBER | |
| | NOTES | | 12642694 | ST | REV | PDI | 6 of 22 |
| | | | | R | 001 | | |

NOTES: UNLESS OTHERWISE SPECIFIED

4. SYSTEM REQUIREMENTS:

- A. HARNESS CONNECTOR IS COMPATIBLE WITH THE FOLLOWING WIRE SIZE NO'S:
 - SAE 14AWG, MEETING SAE J1128
 - SAE 18AWG, MEETING SAE J1128, MAX O.D. OF 2.06 MM
 - SAE 20AWG, MEETING SAE J1128
 - SAE 22AWG, MEETING SAE J1128, MIN O.D. OF 1.47 MM
 - ISO 6mm², FLR2X-A/T-125 PER GM 15626 (FEB 2008)
- B. CABLE TIE SPECIFICATIONS:
 - 1. CABLE TIE:
 - TENSILE RATING: 220N / (50lbs) MIN
 - TIE LENGTH: 186mm MIN
 - TIE WIDTH: 4.75mm MAX
 - MATERIAL: NYLON
 - 2. INSTALLATION:
 - CABLE TIE TENSION: 190N MIN
 - 3. DRESSED WIRE BUNDLE PACKAGING: SEE FIG. 1
- C. WHEN MATED WITH COMPONENT CONNECTOR INTERFACE AND/OR DRESS COVER, HARNESS CONNECTOR SYSTEM CONFORMS TO THE FOLLOWING:
 - 1. SAE/USCAR-2, REV: 3 APRIL, 2001; CLASS 3
 - 2. FIELD CORRELATED LIFE TEST, SAE/USCAR-20, NOV. 2001
 - 3. GMW #3191 AUGUST 22, 2000 (DRAFT); TEMPERATURE CLASS 3 (145°C), SEALING CLASS 1 (HIGH PRESSURE SPRAY), VIBRATION CLASS 2 (ON BODY)
 - 4. TPA USER FORCES (FULLY POPULATED WITH TERMINALS)
 - a. REMOVAL FROM LOCK TO PRE-SET: <=120N
- D. WIRE SPECIFICATIONS:
 - 1. WIRE SURFACE MUST BE FREE OF SCRATCHES, GROOVES OR DENTS WHERE FUNCTIONAL

5. TERMINAL CURRENT RATINGS:

ALL TESTING DONE IN ACCORDANCE WITH USCAR-2 REV5 SECTION 5.3

- A. MX64 RCPT TERM
 - 1. MX64 RCPT TERM Ag 18/20 GAGE CRIMPED TO SAE WIRE SIZE NO.18 AND MATED TO MX123 0.64MM PIN: 11.3 AMPS
 - 2. MX64 RCPT TERM Ag 22 GAGE CRIMPED TO SAE WIRE SIZE NO.22 AND MATED TO MX123 0.64MM PIN:8.5 AMPS

| WIRE | CURRENT RATING | | | |
|-------|----------------|----------|-----------|-----------|
| | 23 deg.C | 85 deg.C | 105 deg.C | 125 deg.C |
| 18AWG | 11.3A | 11.3A | 9.5A | 6.6A |
| 20AWG | 10.0A | 10.0A | 8.3A | 5.7A |
| 22AWG | 8.6A | 8.6A | 7.1A | 5.0A |

- B. 2.8MM RCPT TERM
 - 1. 2.8MM RCPT TERM TIN 14 GAGE CRIMPED TO SAE WIRE SIZE NO.14 AND MATED TO MX123 2.8MM BLADE: 25.6 AMPS
 - C. 6.3MM RCPT TERM - FCI APEX
 - 1. 6.3MM RCPT TERM TIN/SILVER CRIMPED TO 6.0MM² WIRE AND MATED TO MOLEX 6.3MM² BLADE (Sn/Ag PLATED):36A AT 125°C
6. CONTACT MOLEX AUTOMOTIVE FOR AVAILABLE CUSTOM PATTERNS OF CAVITIES OPEN FOR CIRCUITS



PAGE TITLE
NOTES

DRAWING NUMBER
12642694

| DWG STATUS | | |
|------------|-----|-----|
| ST | REV | PDI |
| R | 001 | |

PAGE NUMBER
7 of 22

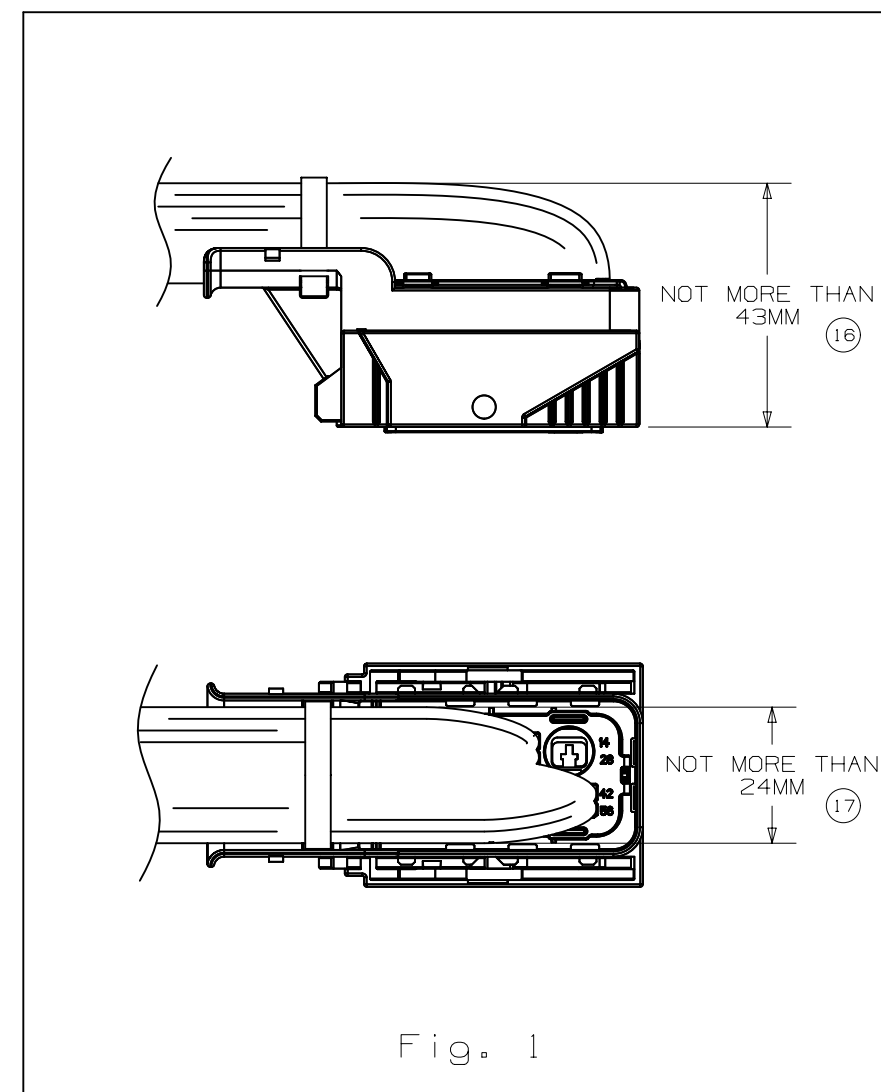
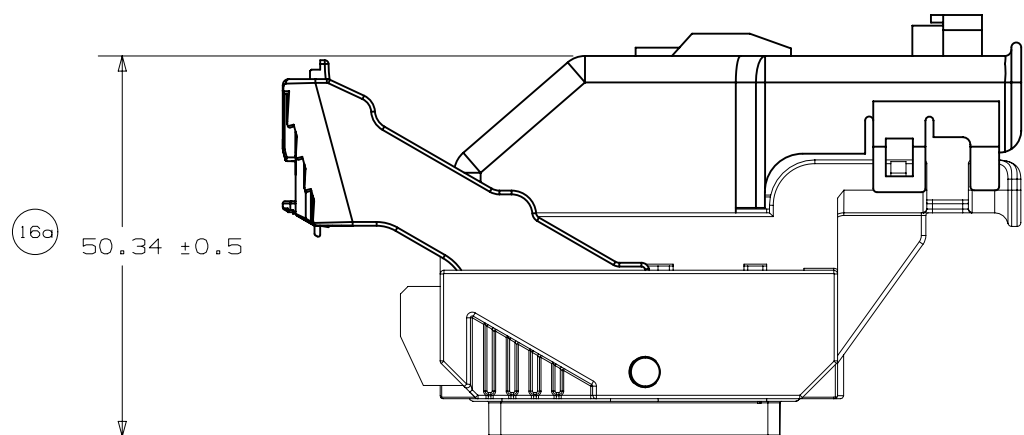
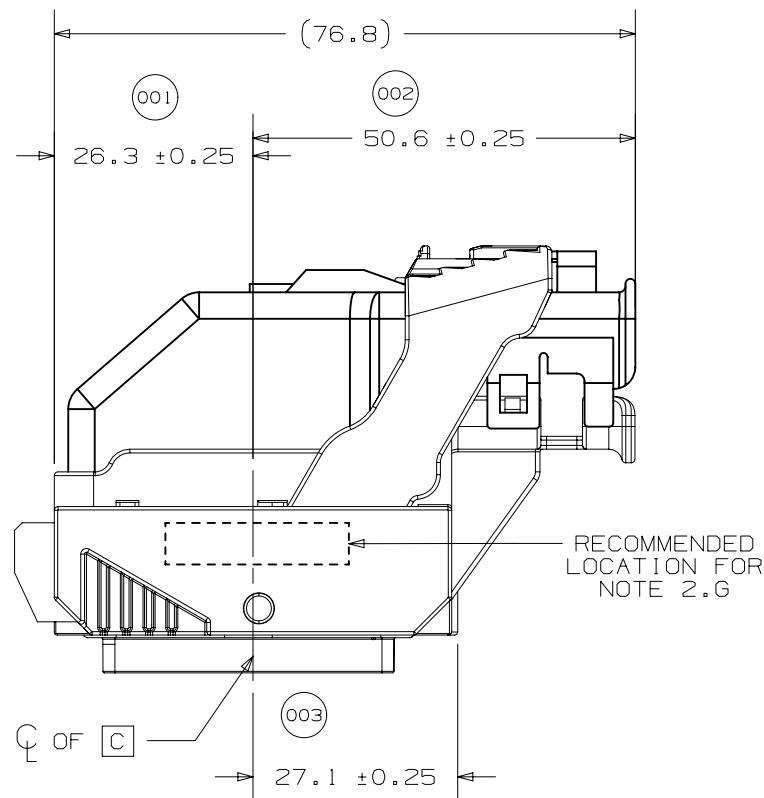
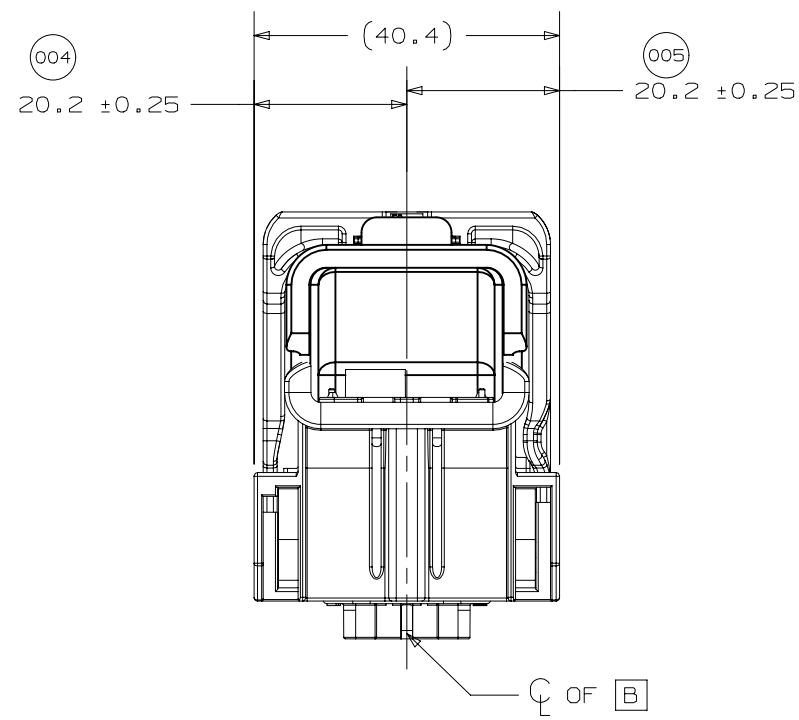


Fig. 1

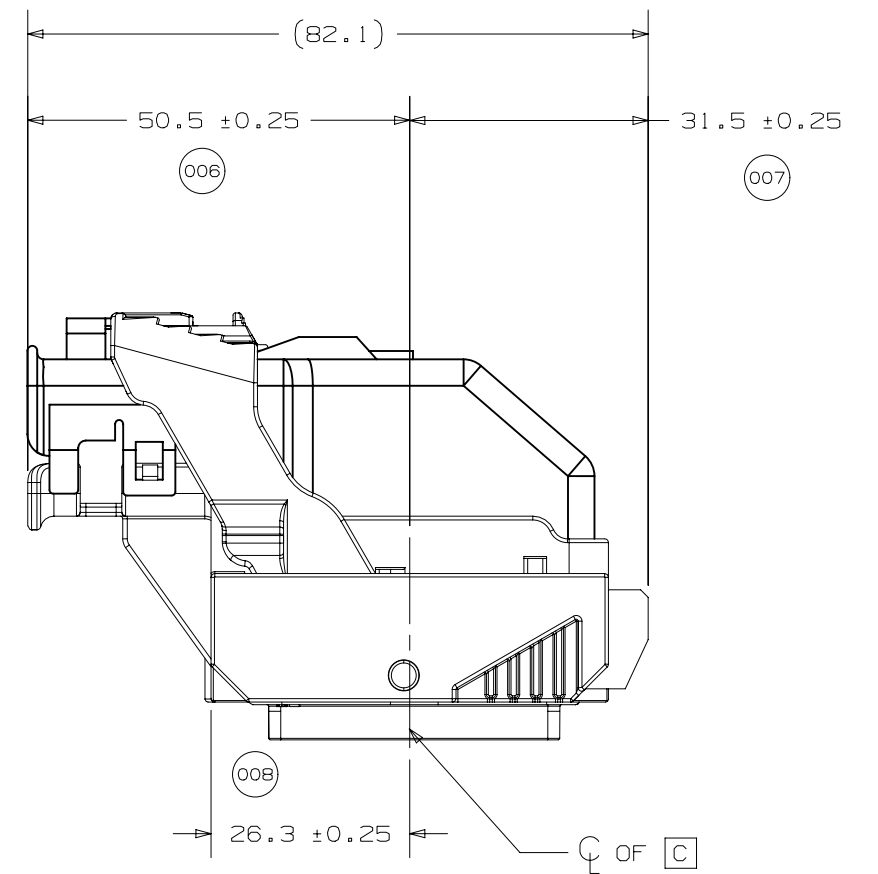




WIRE DRESS OPTION 0 SHOWN

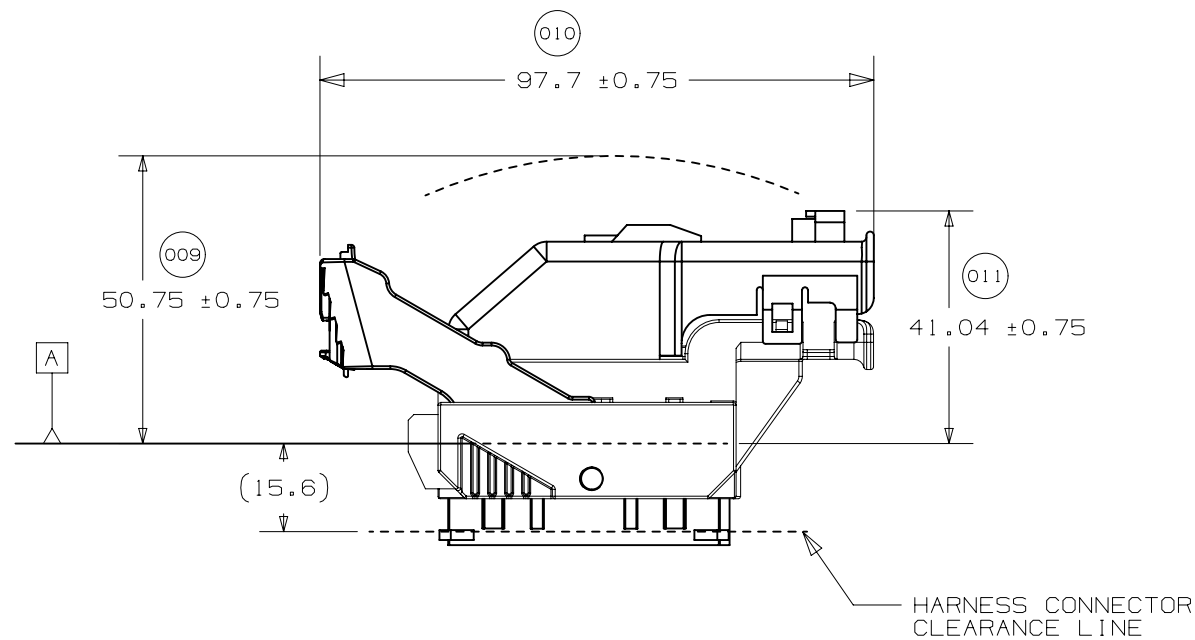
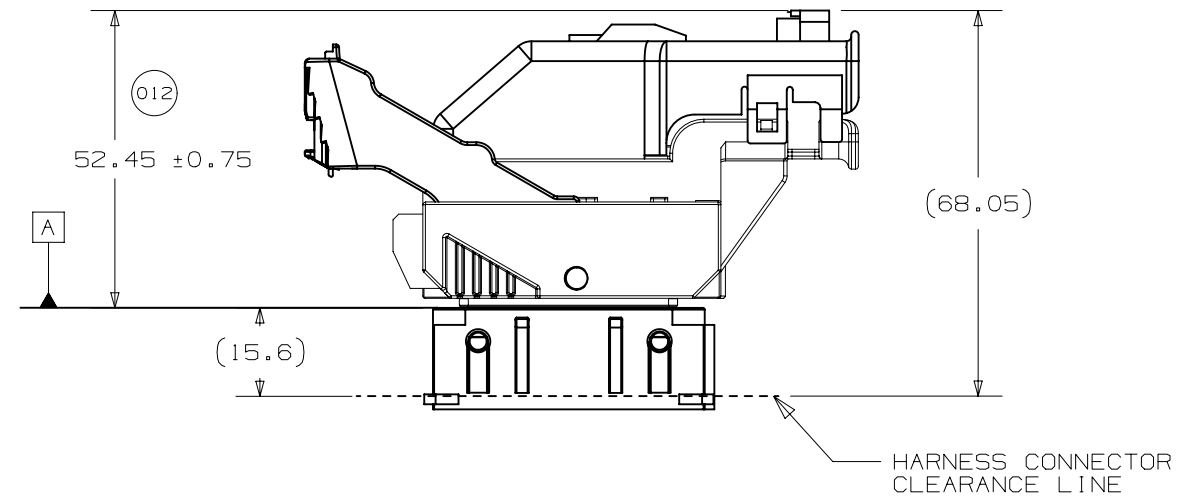


WIRE DRESS OPTION 0 SHOWN

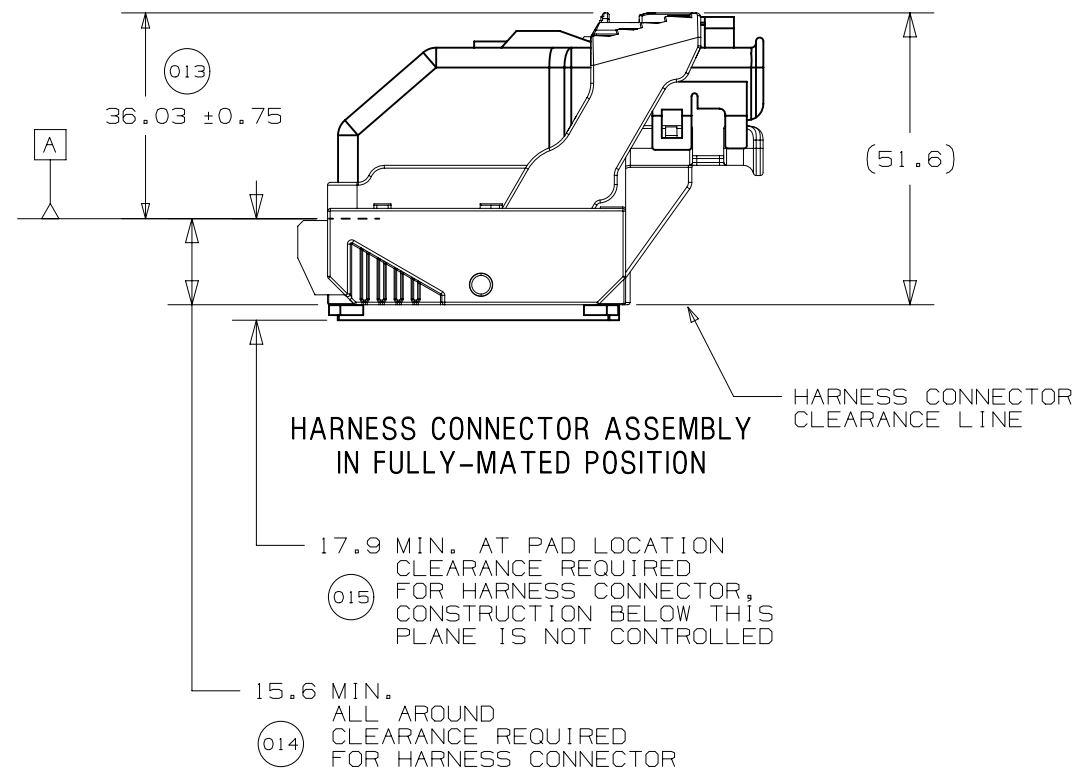


WIRE DRESS OPTION 9 SHOWN



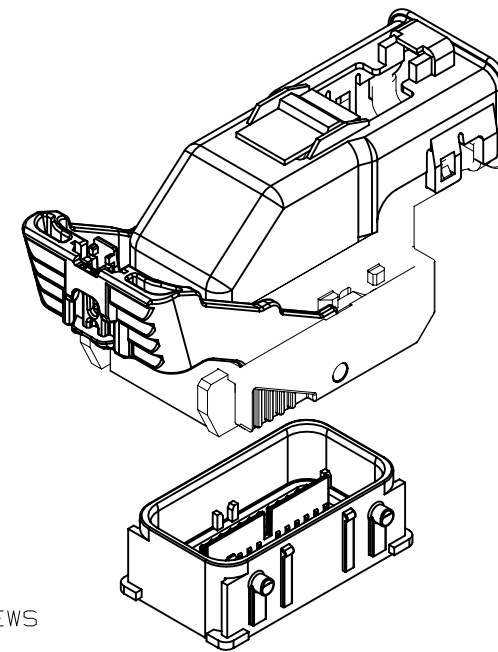
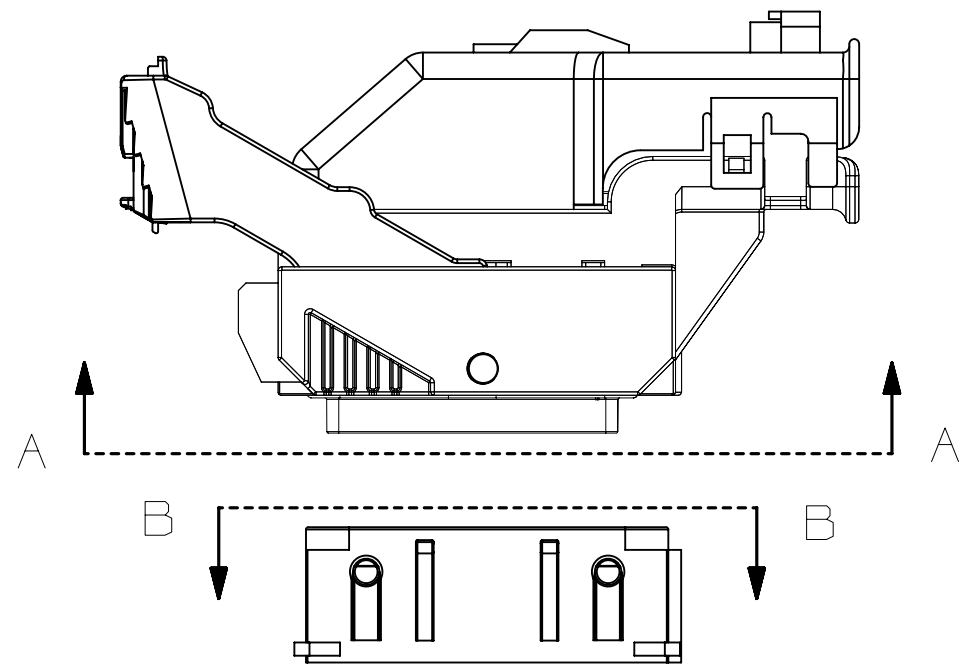


HARNESS CONNECTOR ASSEMBLY
IN PRE-LOCK POSITION



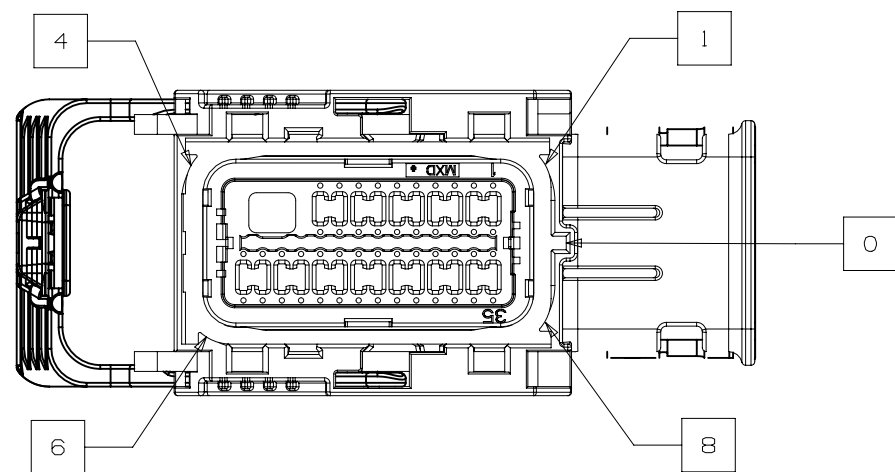
HARNESS CONNECTOR ASSEMBLY
IN FULLY-MATED POSITION



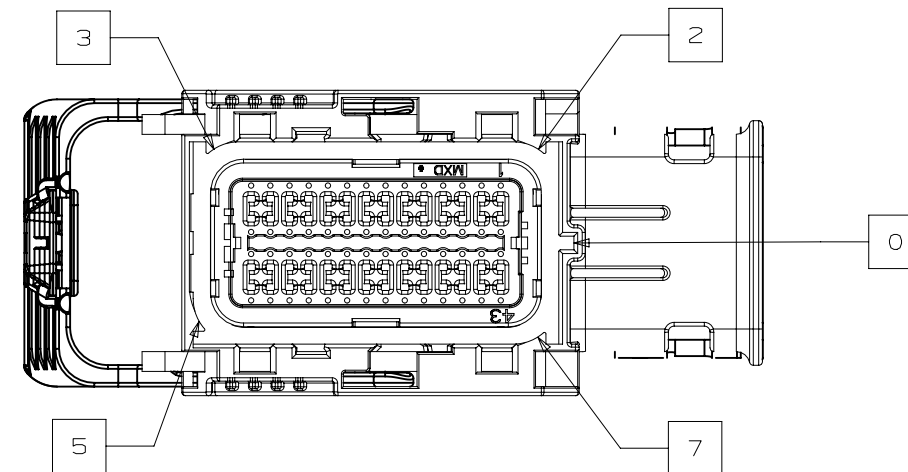


NOTE: REFERENCE THE COMPONENT TABLE FOR KEY OPTIONS AND CONFIGURATIONS

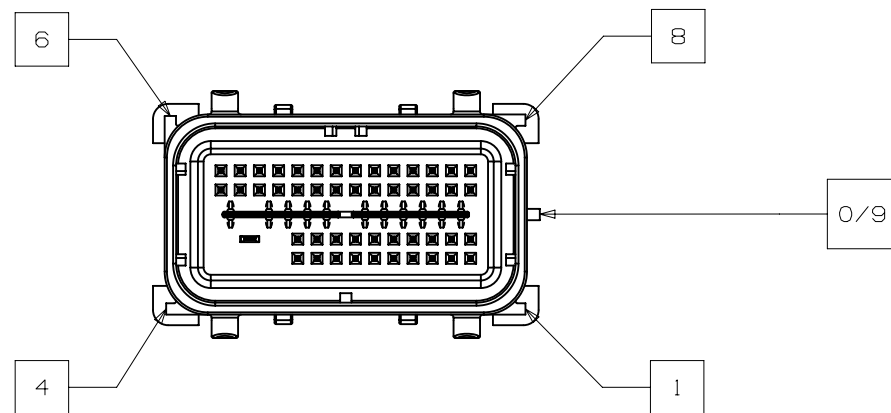
INTERFACE SIDE SHOWN IN ALL SECTION VIEWS



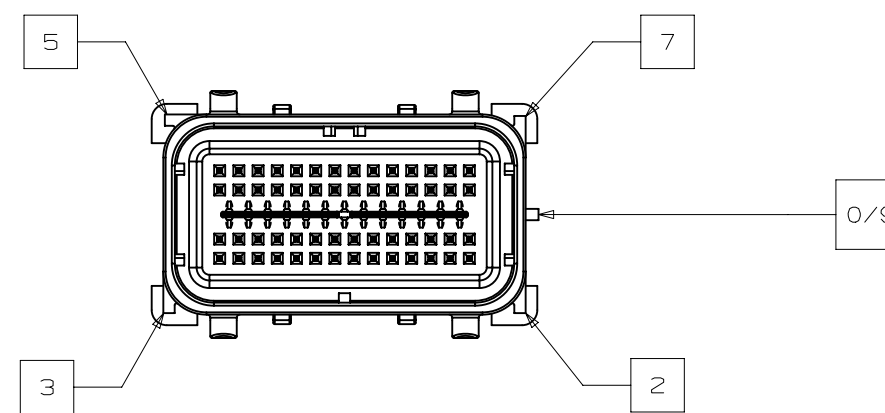
SECTION A-A
KEY OPTION B SHOWN



SECTION A-A
KEY OPTION K SHOWN



SECTION B-B
KEY OPTION B SHOWN



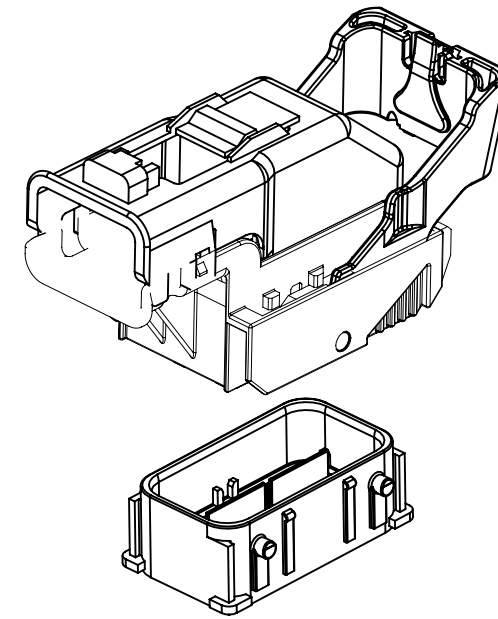
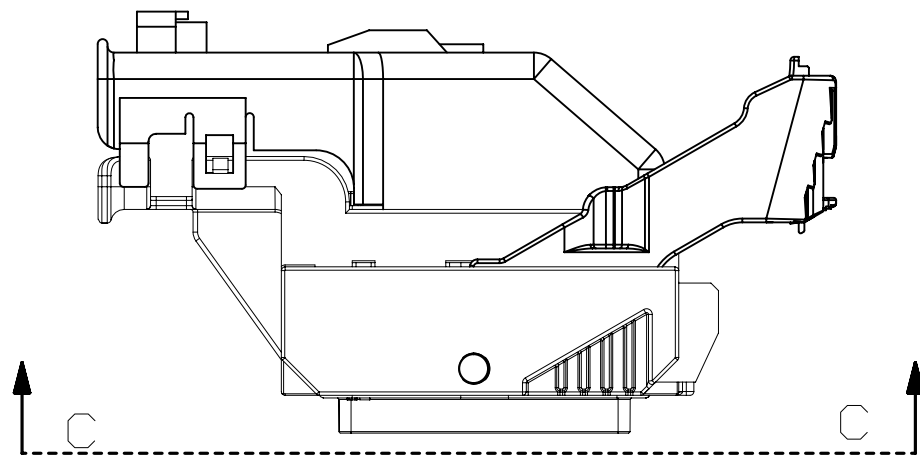
SECTION B-B
KEY OPTION K SHOWN



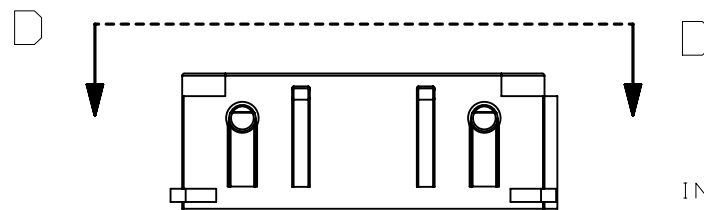
PAGE TITLE
KEY ID REF - WIRE DRESS OPTION 0

DRAWING NUMBER
12642694

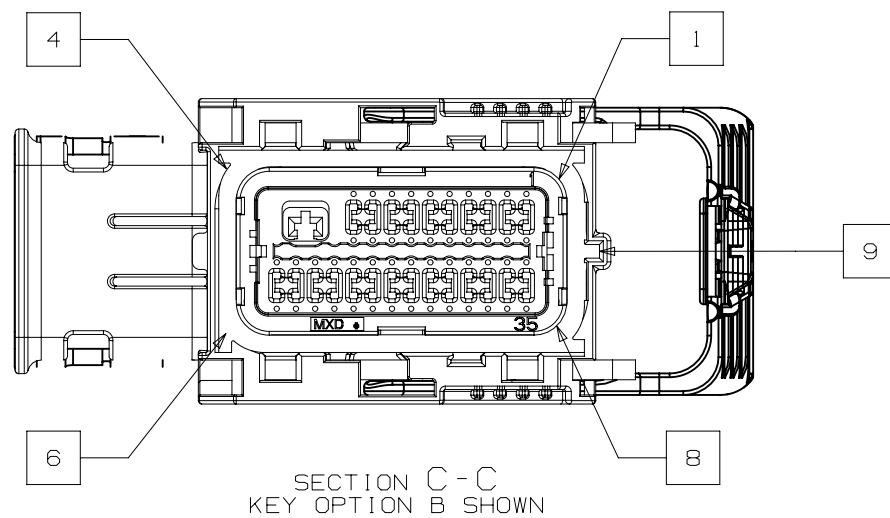
| DWG STATUS | | | PAGE NUMBER | |
|------------|-----|-----|-------------|-------|
| ST | REV | PD1 | 11 | OF 22 |
| R | 001 | | | |



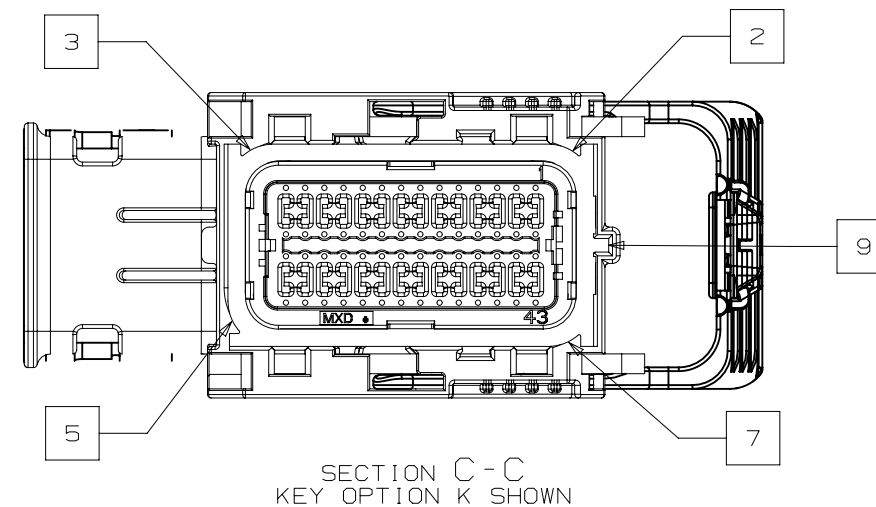
NOTE: REFERENCE THE COMPONENT TABLE FOR KEY OPTIONS AND CONFIGURATIONS



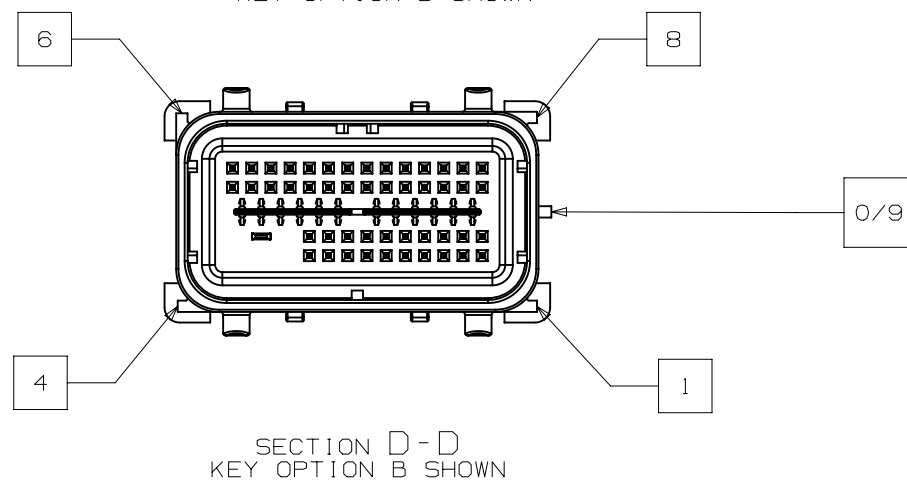
INTERFACE SIDE SHOWN ON ALL SECTION VIEWS



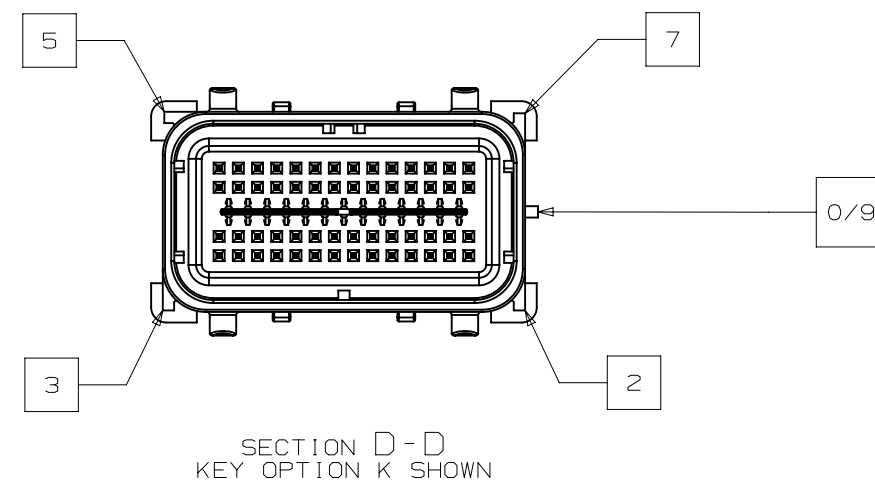
SECTION C-C
KEY OPTION B SHOWN



SECTION C-C
KEY OPTION K SHOWN



SECTION D-D
KEY OPTION B SHOWN



SECTION D-D
KEY OPTION K SHOWN

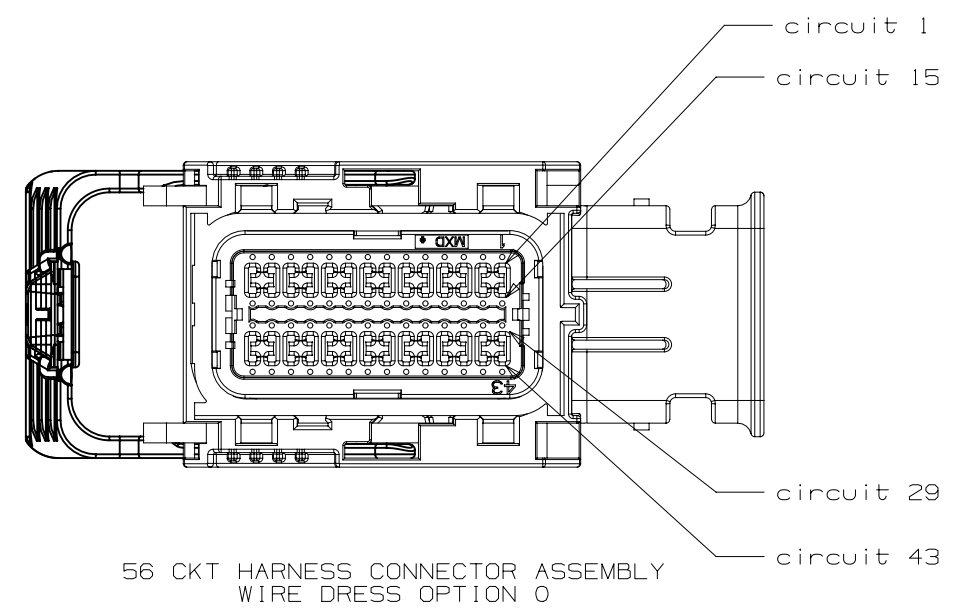
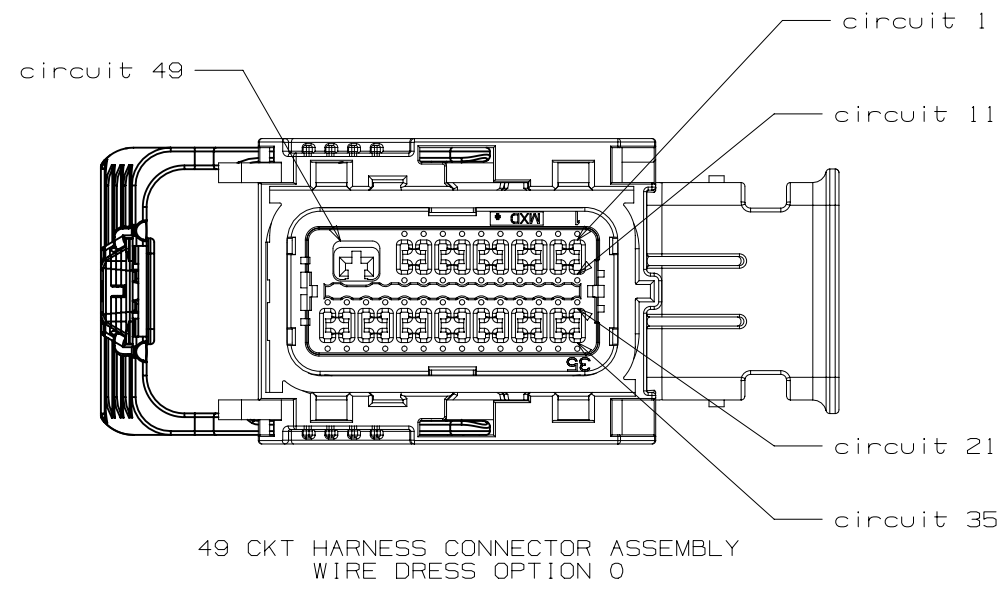


PAGE TITLE
KEY ID REF - WIRE DRESS OPTION 9

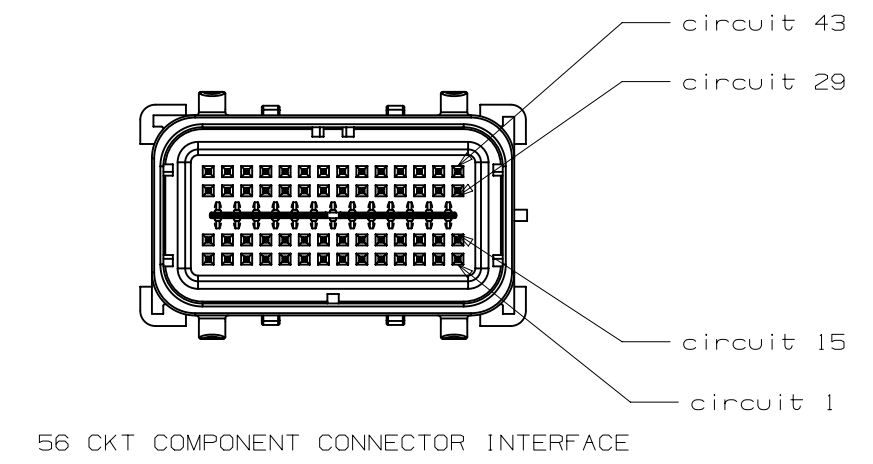
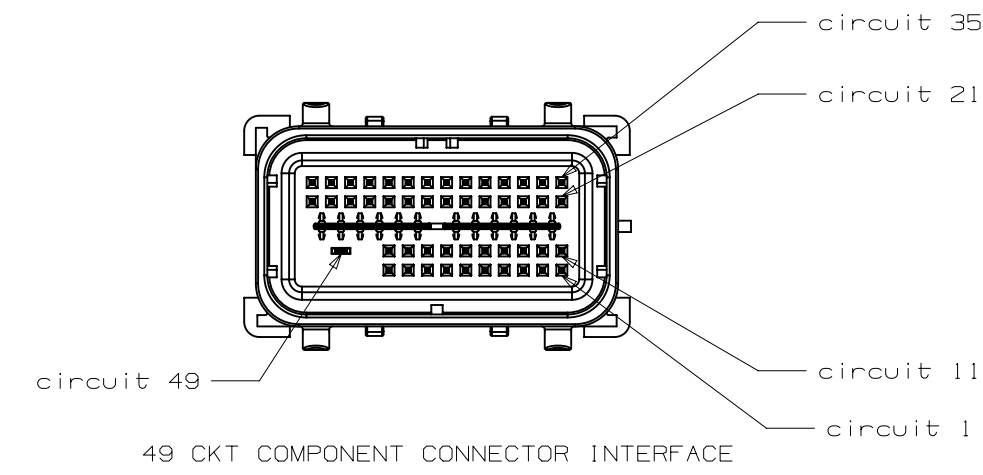
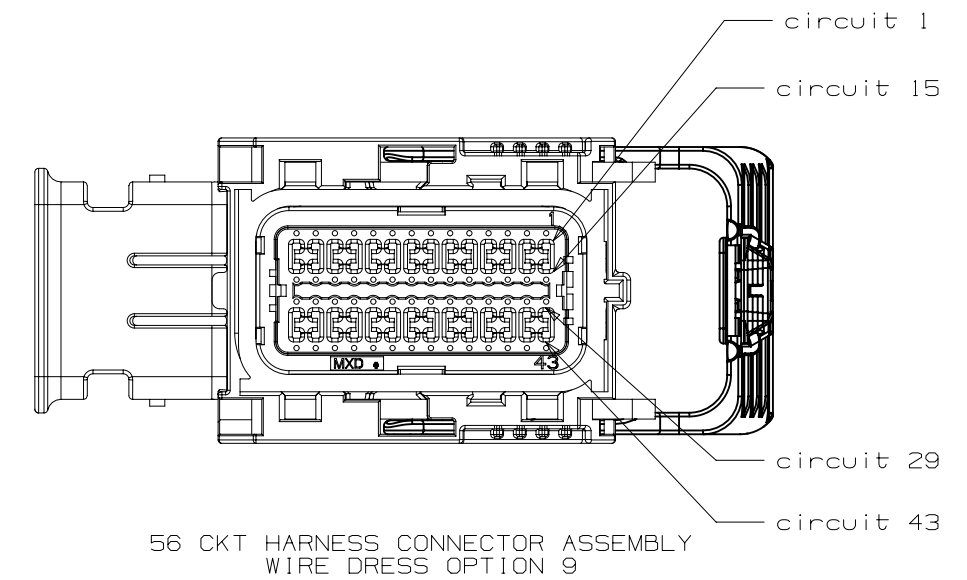
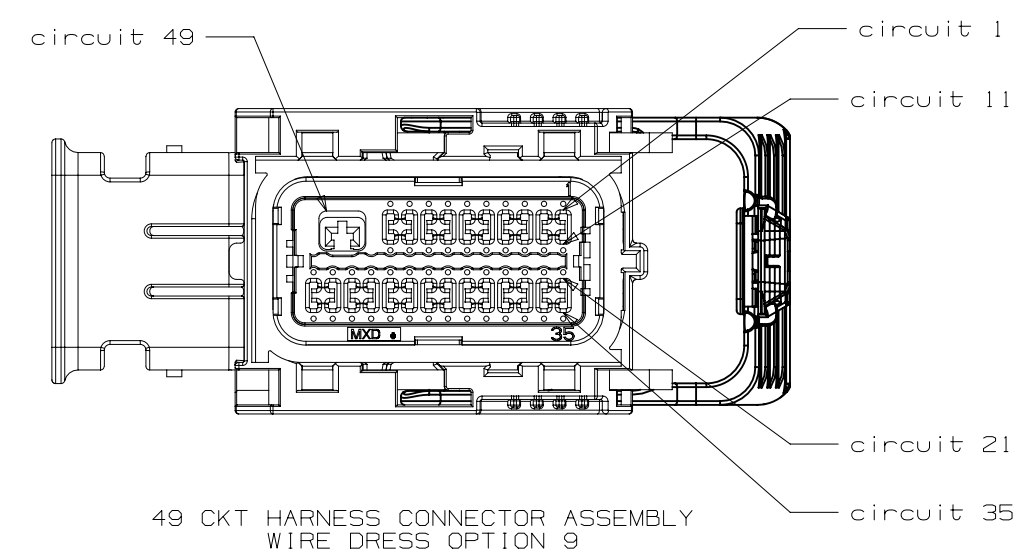
DRAWING NUMBER
12642694

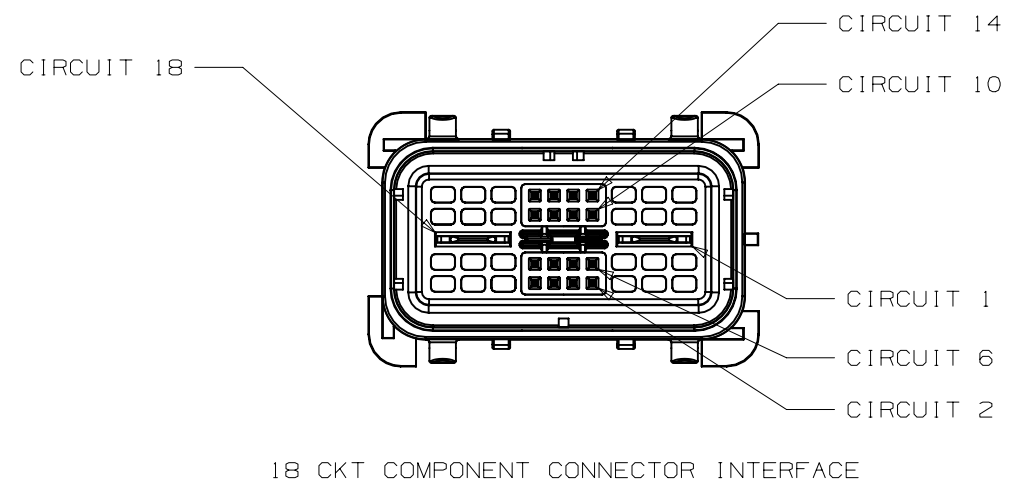
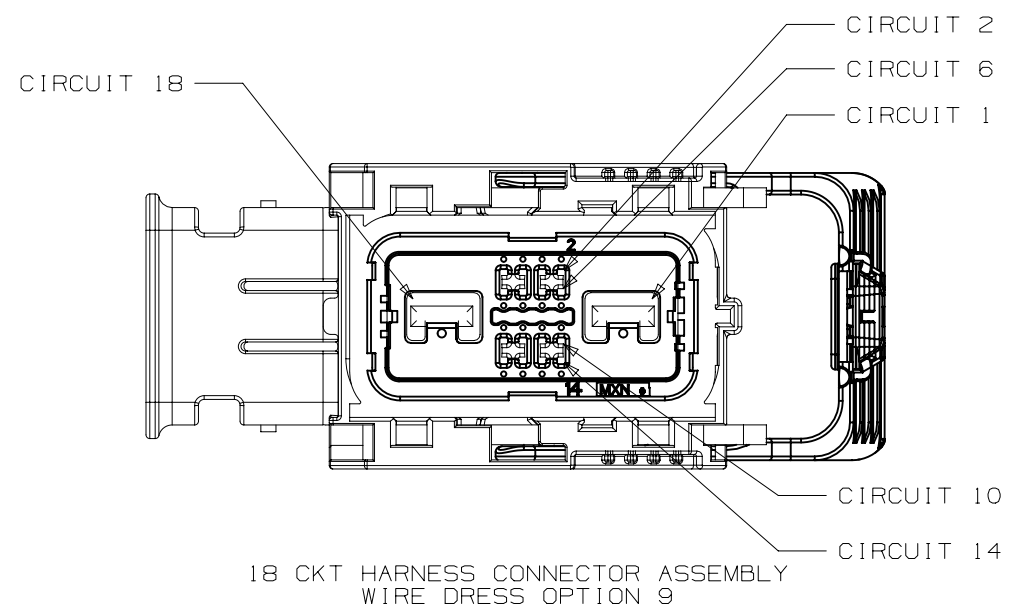
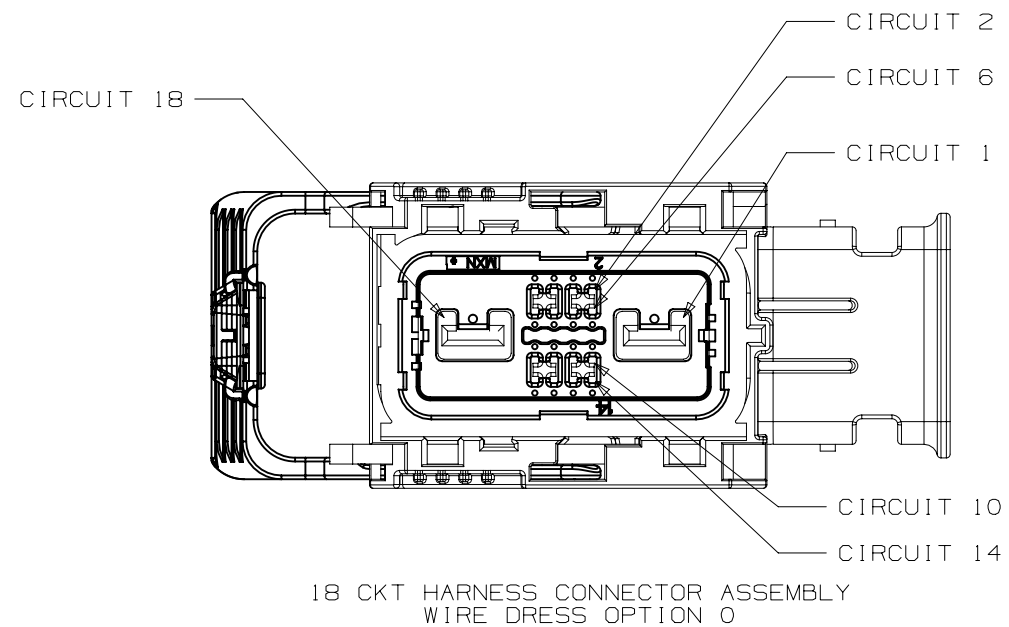
| DWG STATUS | | |
|------------|-----|-----|
| ST | REV | PD1 |
| R | 001 | |

PAGE NUMBER
12 OF 22



INTERFACE SIDE SHOWN ON ALL VIEWS





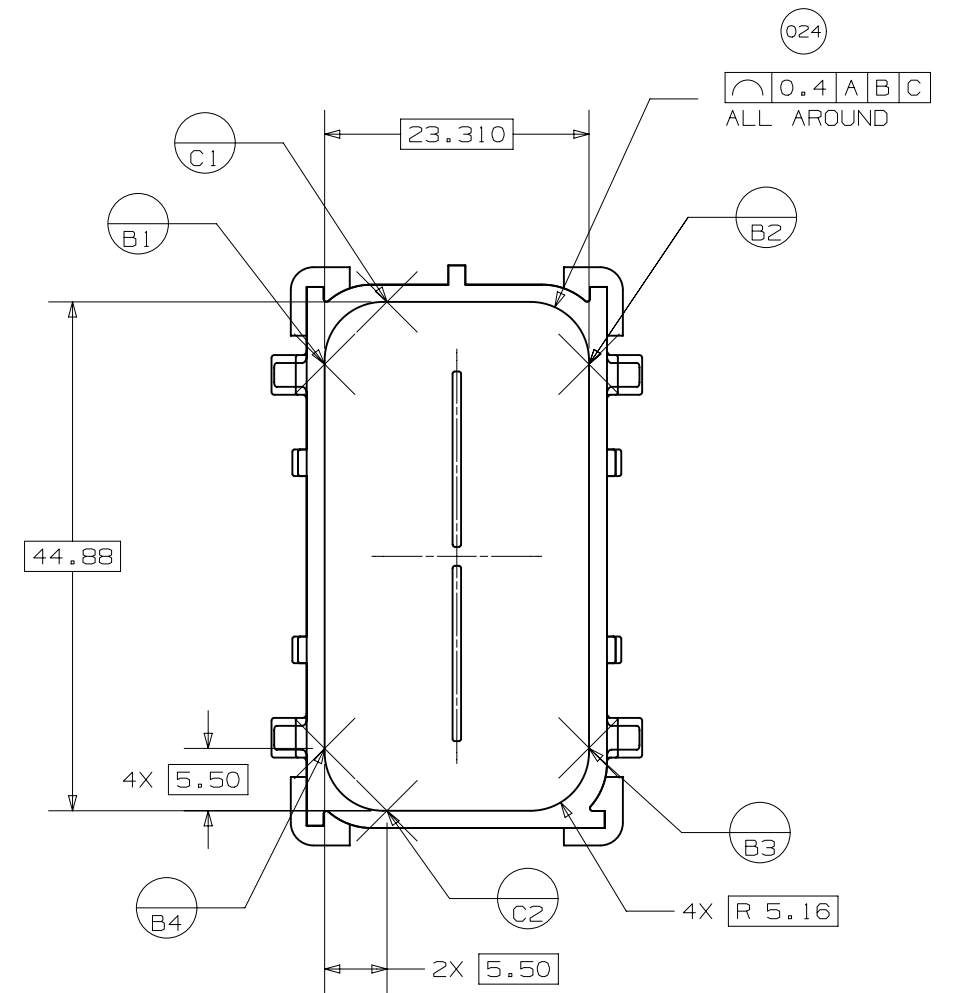
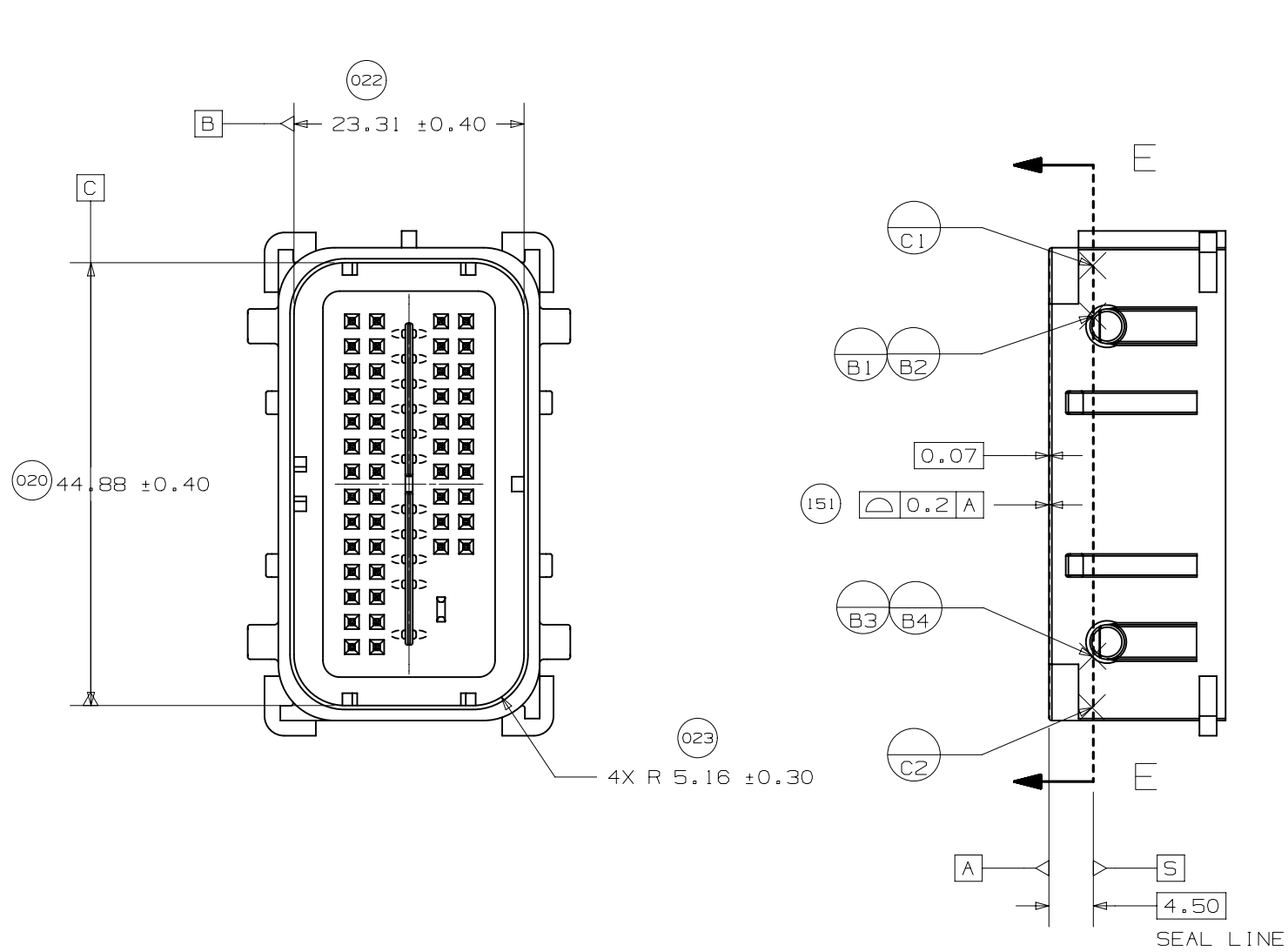
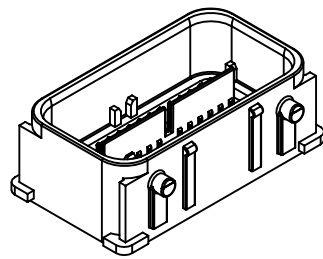
INTERFACE SIDE SHOWN ON ALL VIEWS



PAGE TITLE
CIRCUIT CONFIGURATIONS

DRAWING NUMBER
12642694

| DWG STATUS | | | PAGE NUMBER | |
|------------|-----|-----|-------------|-------|
| ST | REV | PDI | 14 | OF 22 |
| R | 001 | | | |



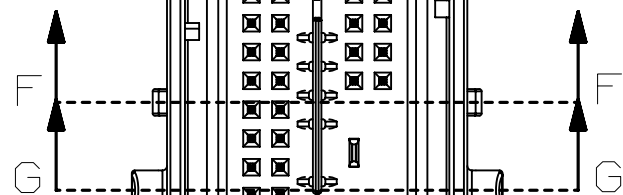
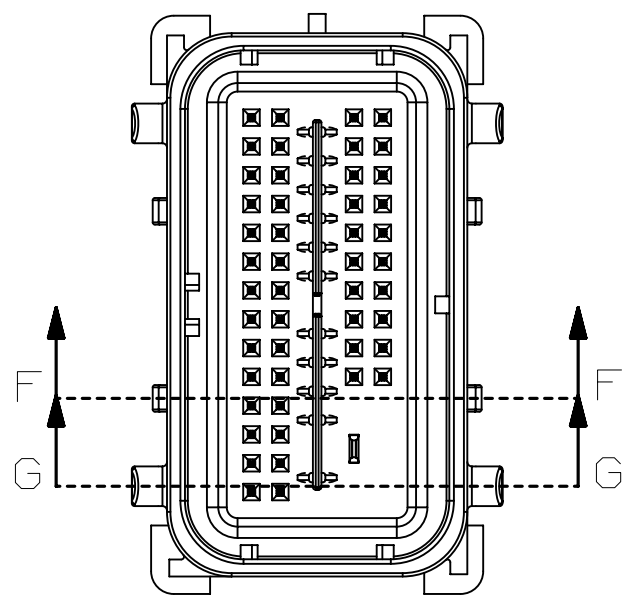
UNLESS SPECIFIED, TOLERANCE OF THE DEVICE INTERFACE TO BE $\nabla 0.13 \text{ A B C}$



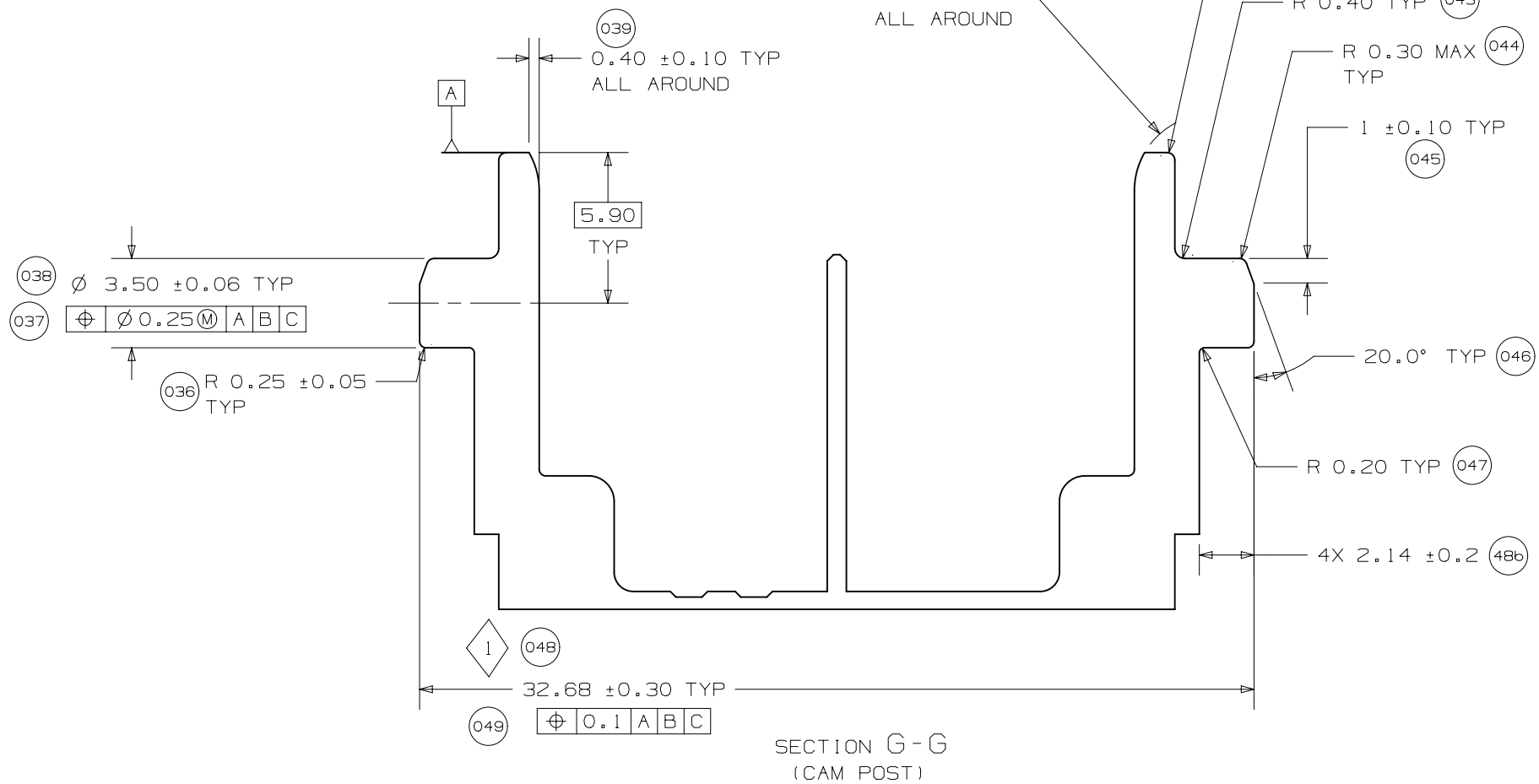
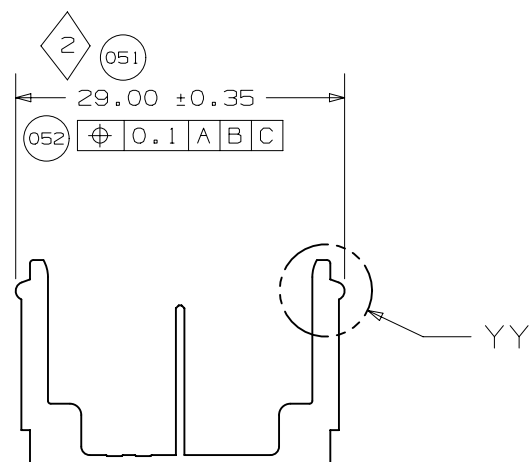
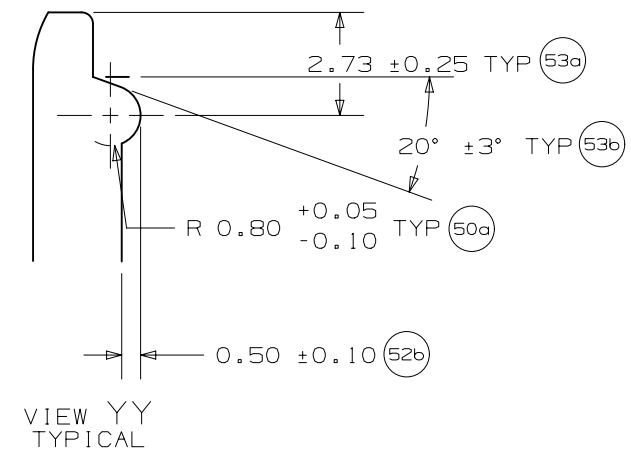
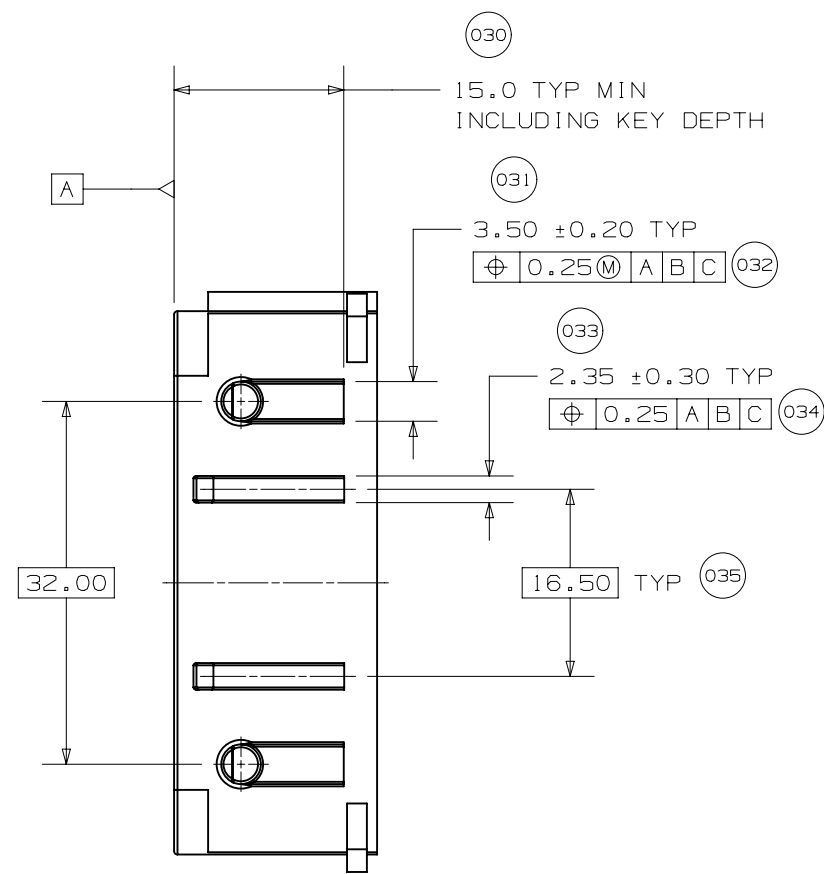
PAGE TITLE
COMPONENT CONNECTOR INTERFACE

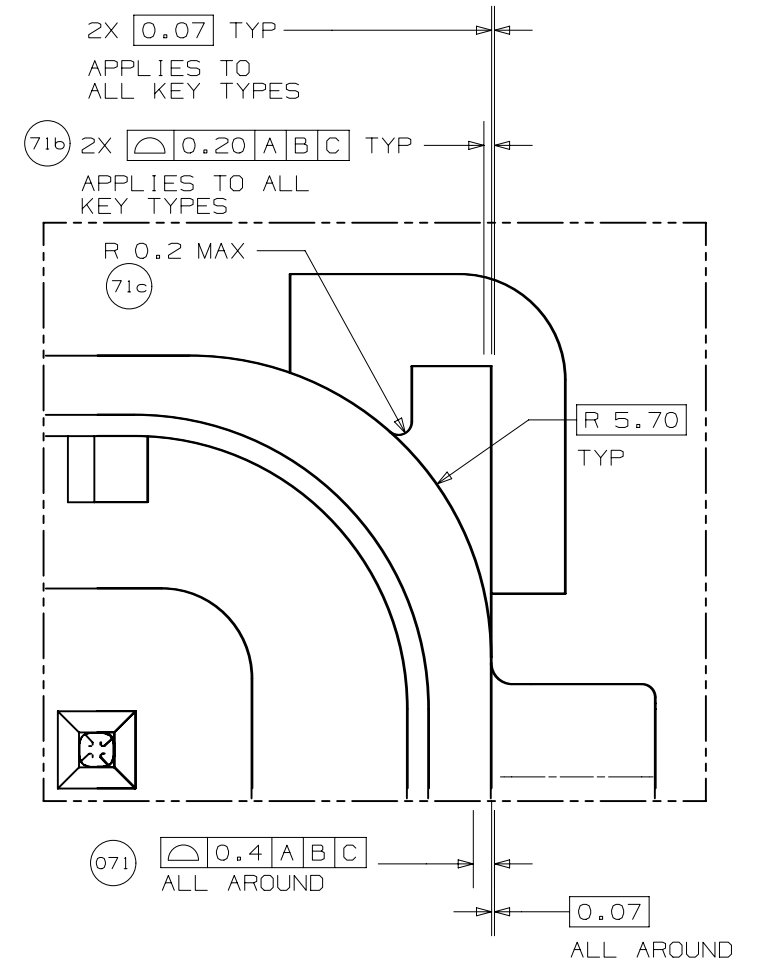
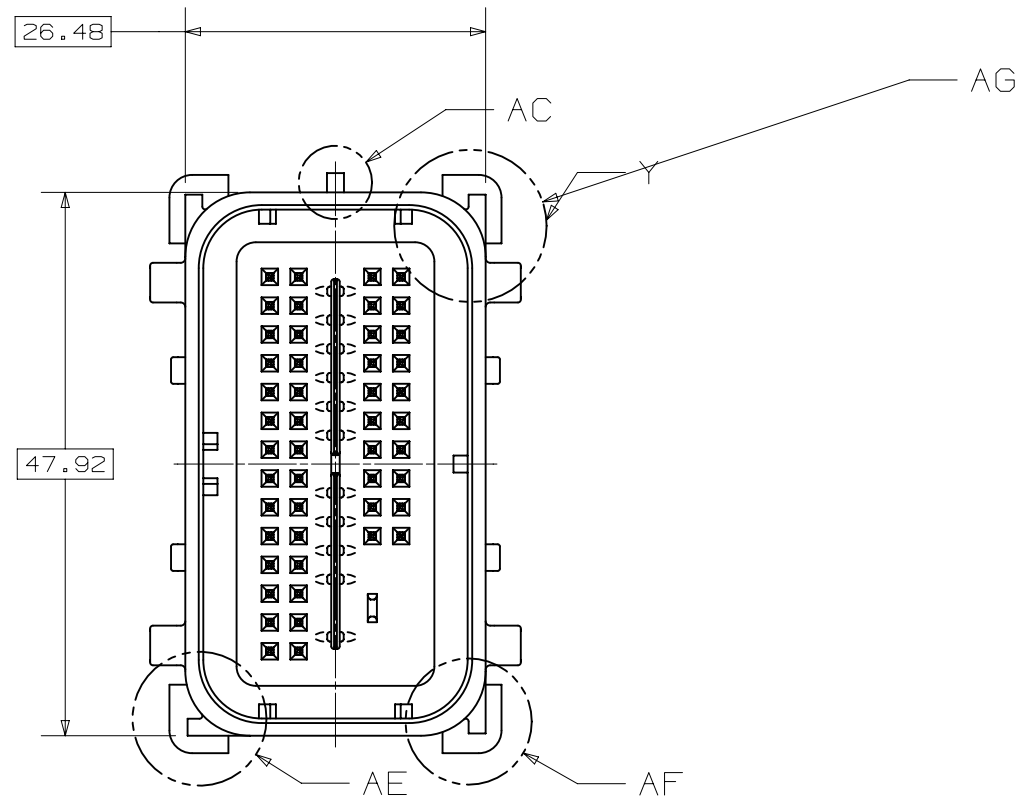
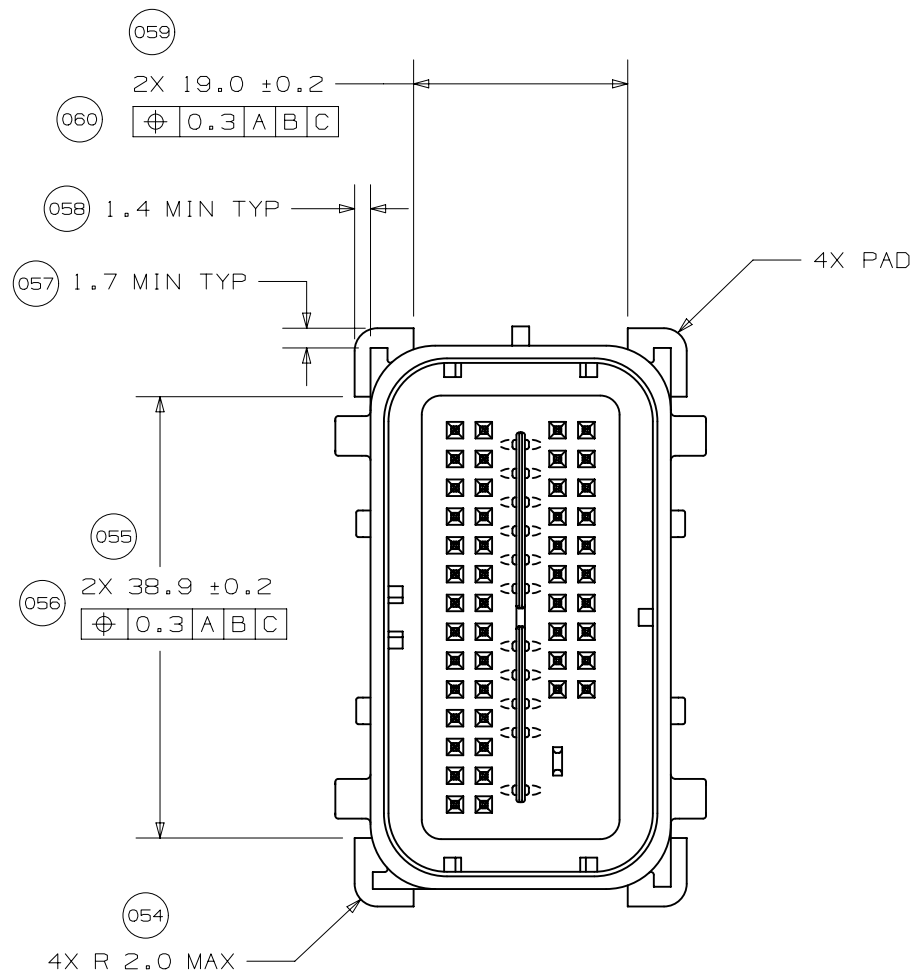
DRAWING NUMBER
12642694

| DWG STATUS | | | PAGE NUMBER |
|------------|-----|-----|-------------|
| ST | REV | PD1 | |
| R | 001 | | 15 of 22 |

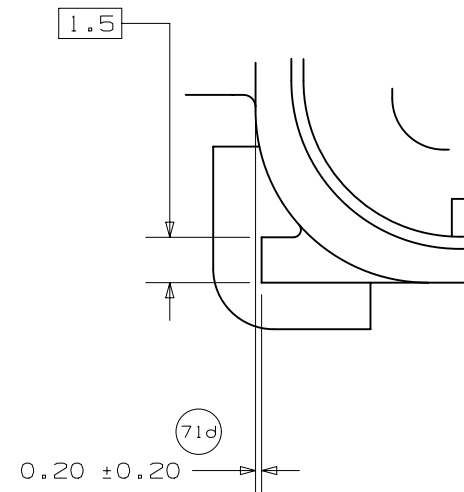
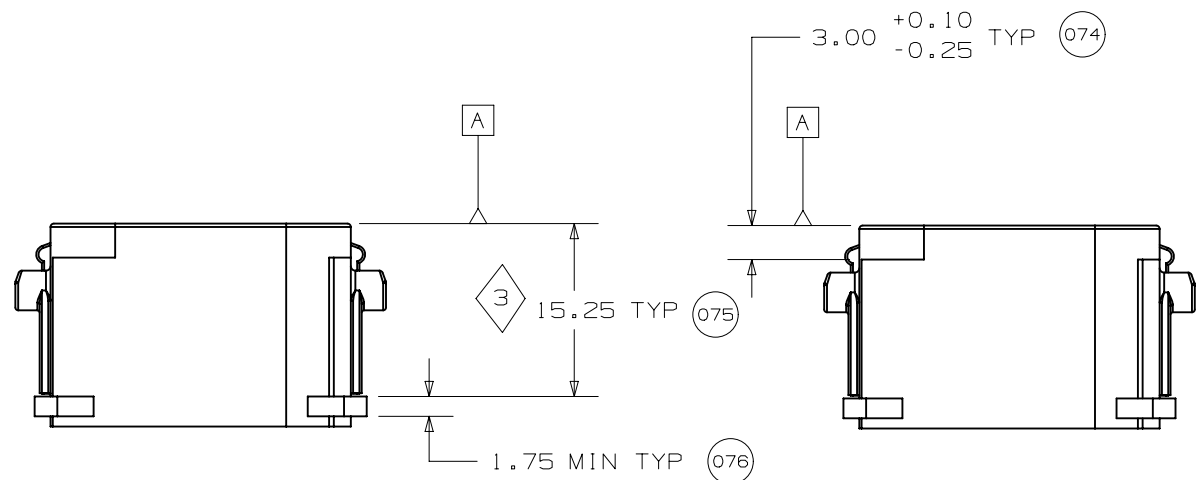


SECTION F - F
(RELEASE FEATURE)

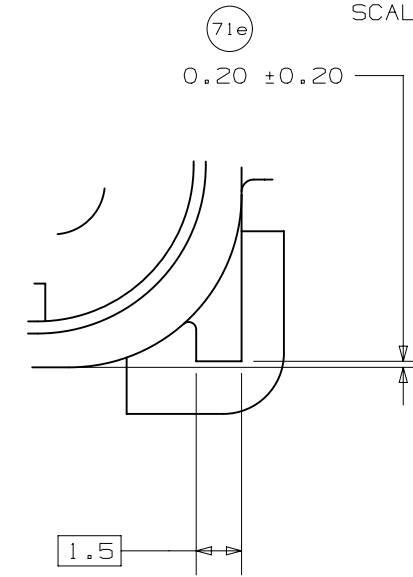




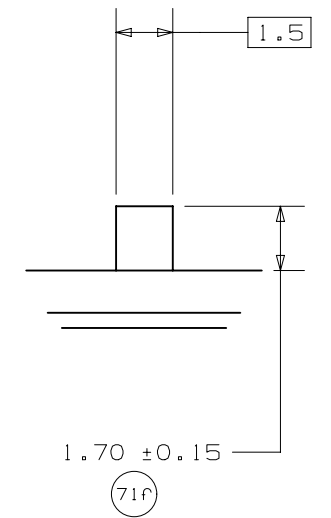
DETAIL Y
SCALE 7:1



VIEW AE
KEY TYPE 2



VIEW AF
KEY TYPE 1



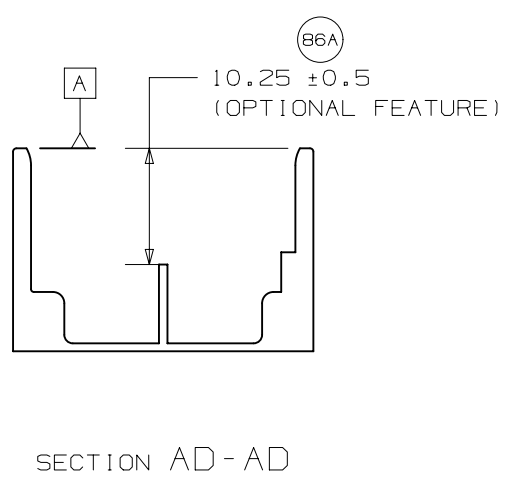
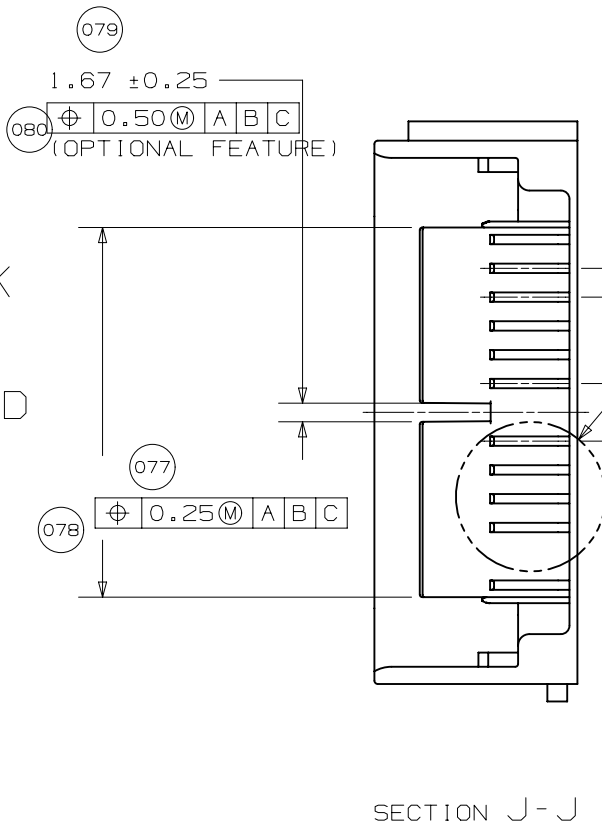
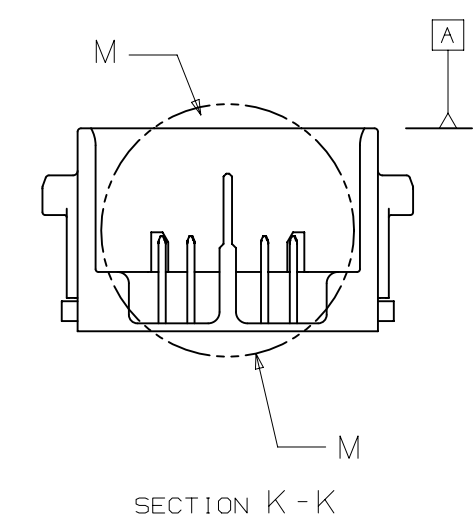
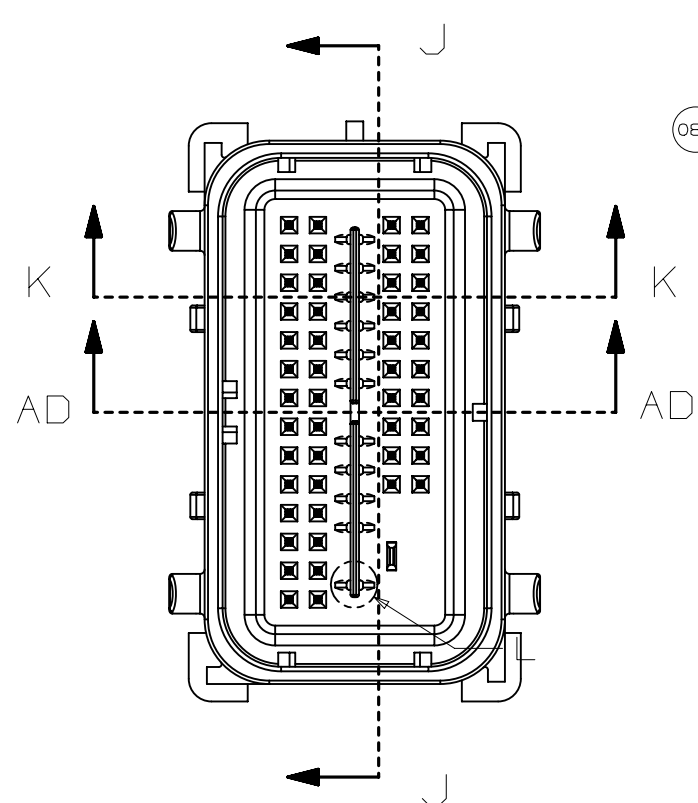
VIEW AC
KEY TYPE 3



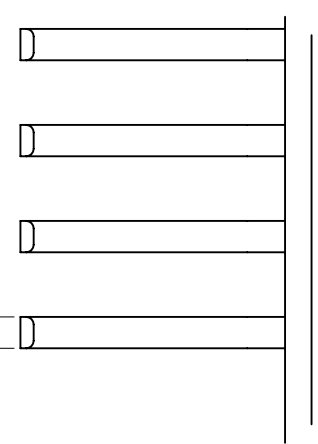
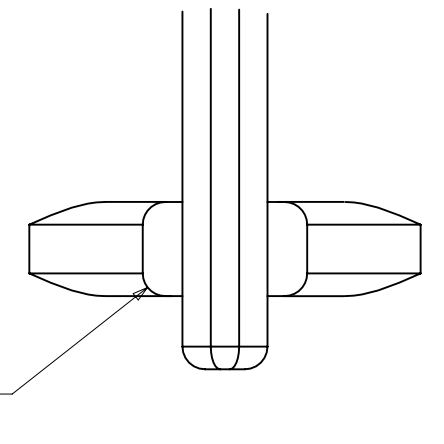
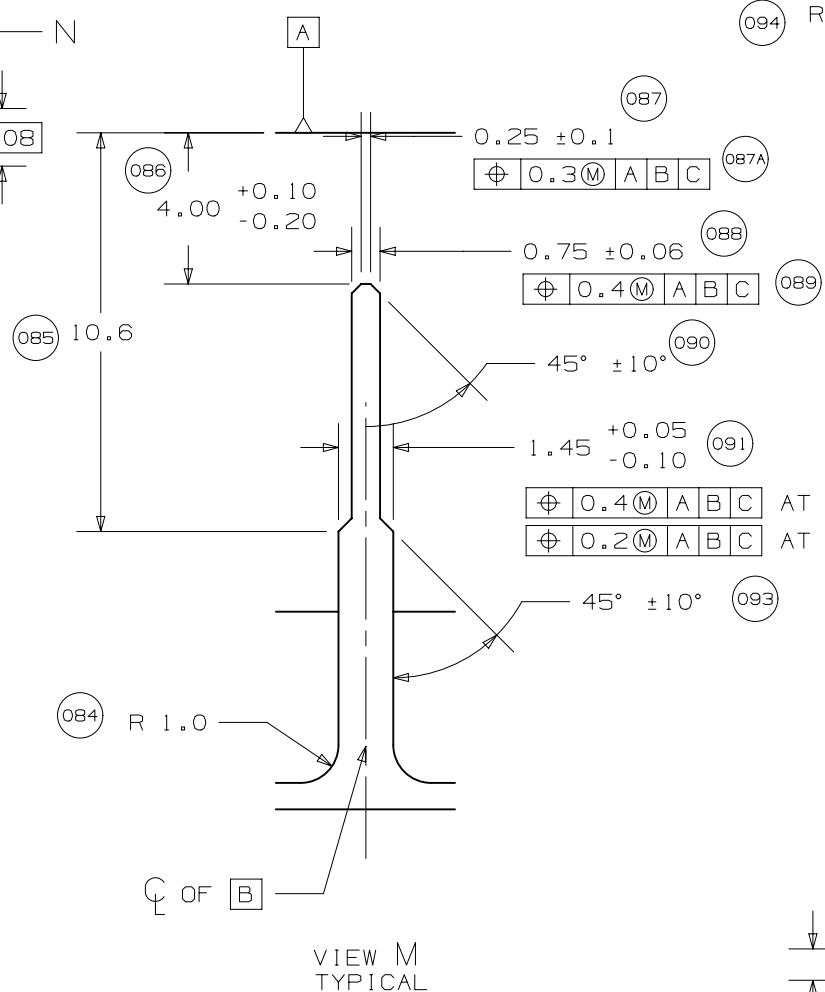
PAGE TITLE
COMPONENT CONNECTOR INTERFACE

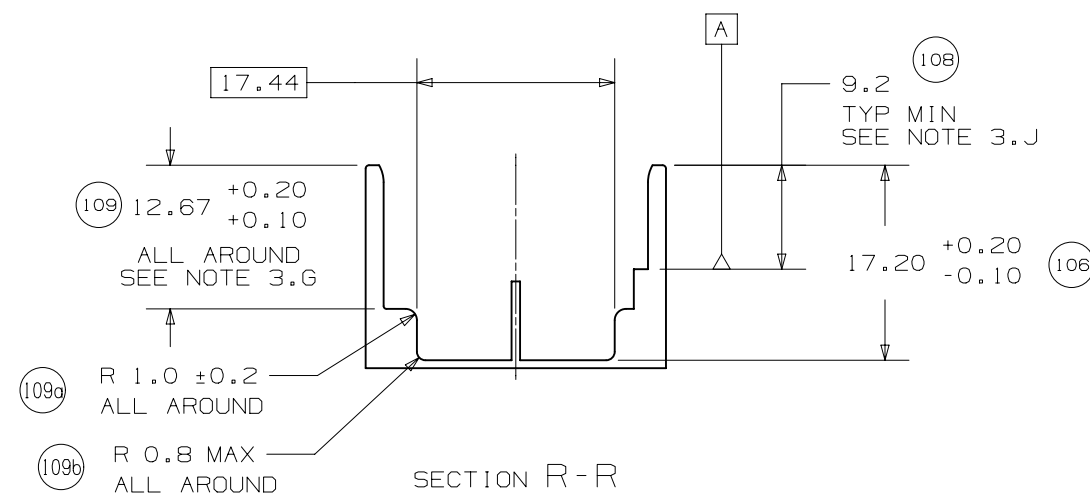
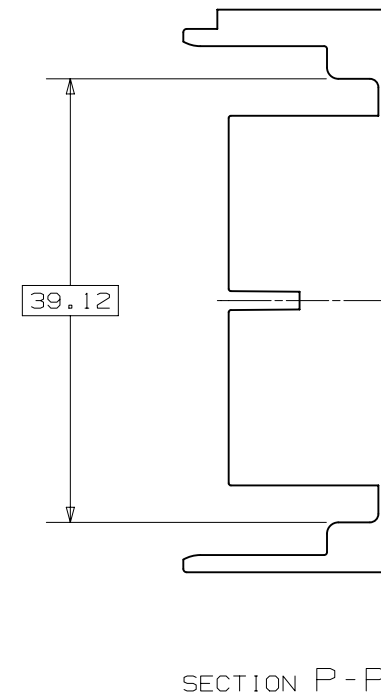
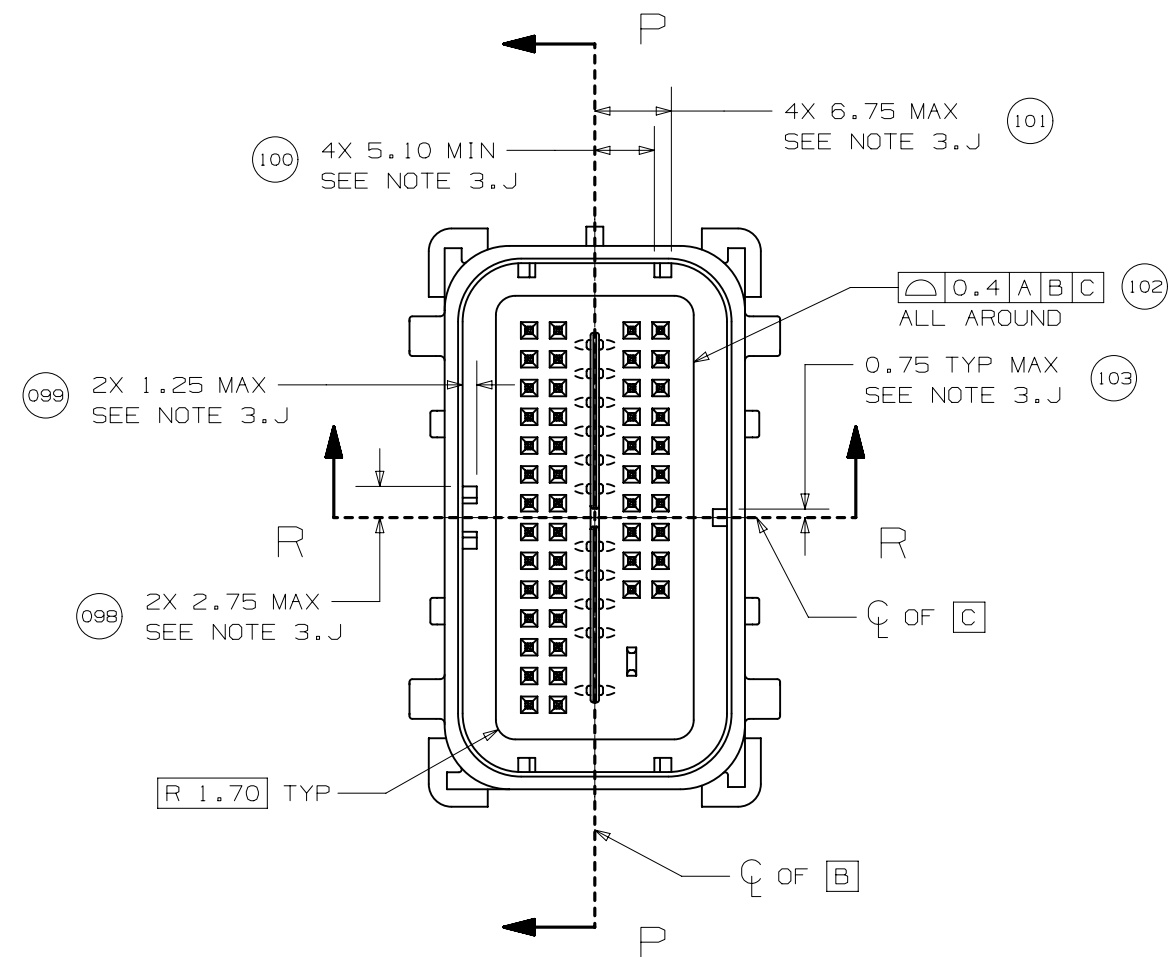
DRAWING NUMBER
12642694

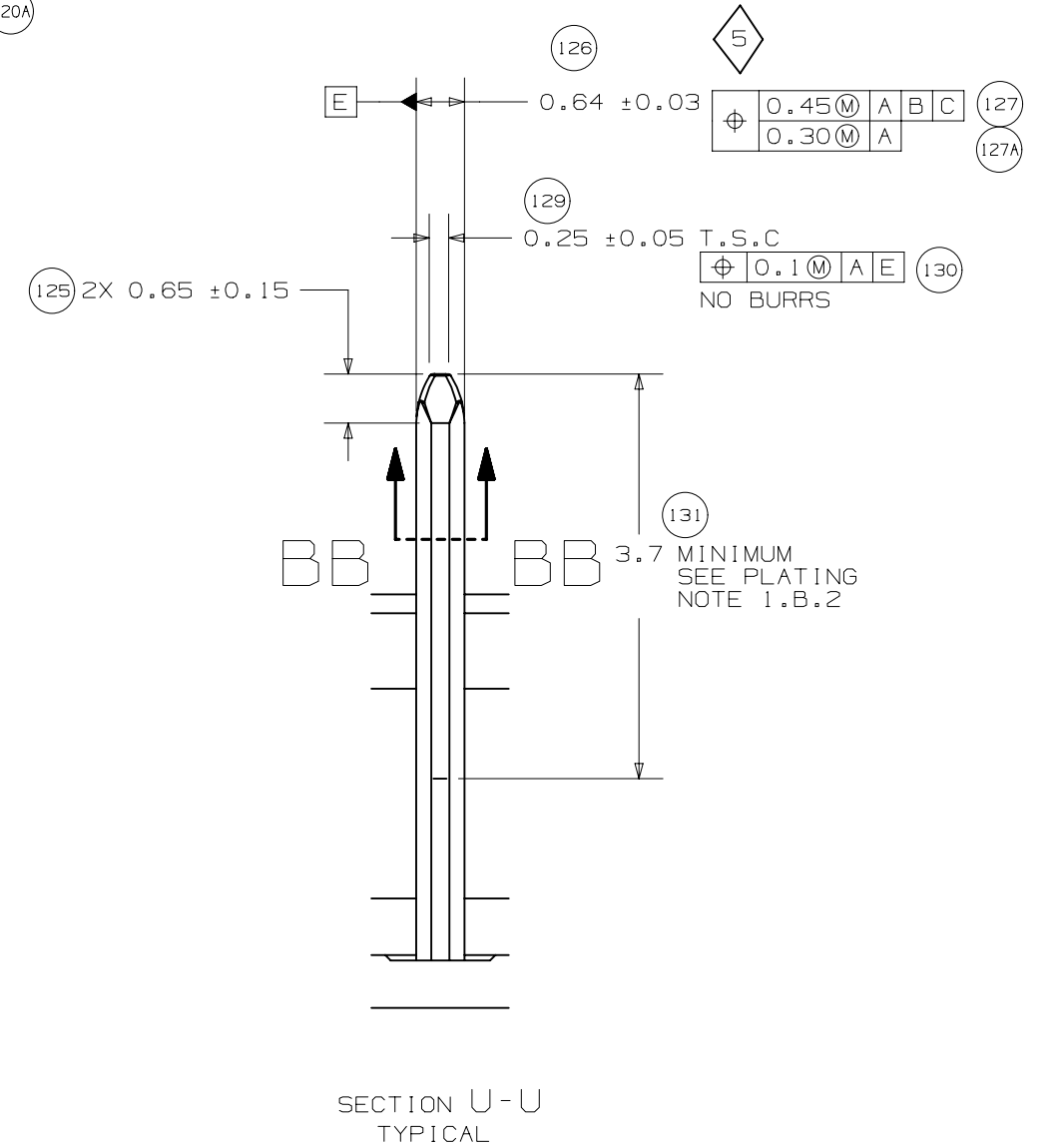
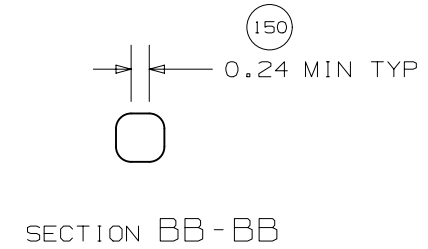
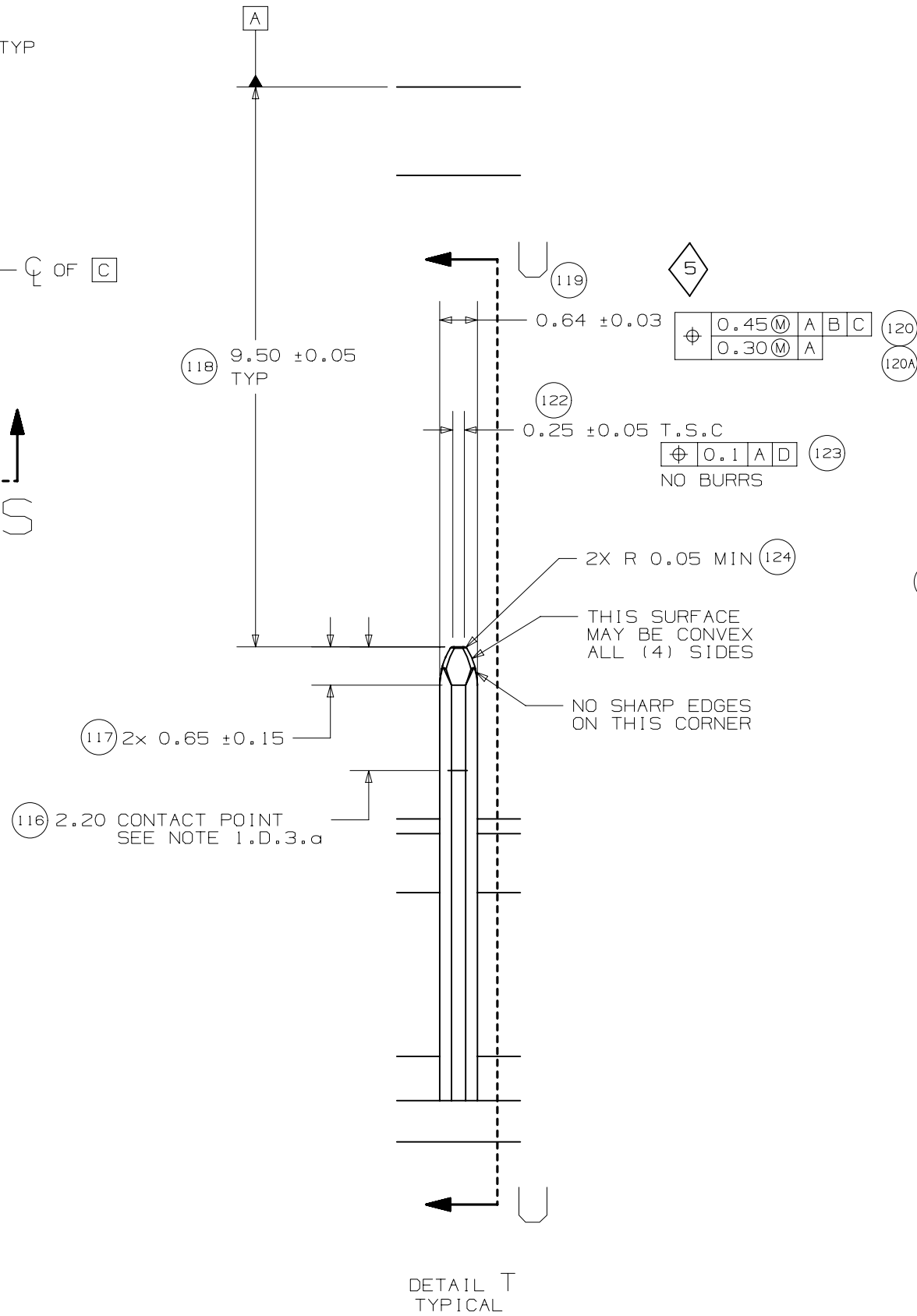
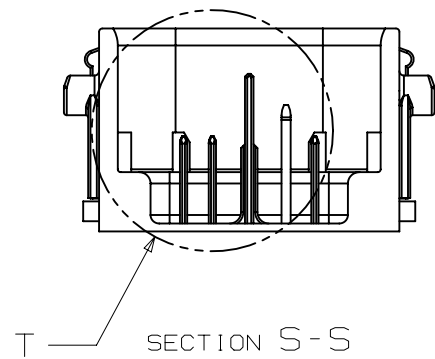
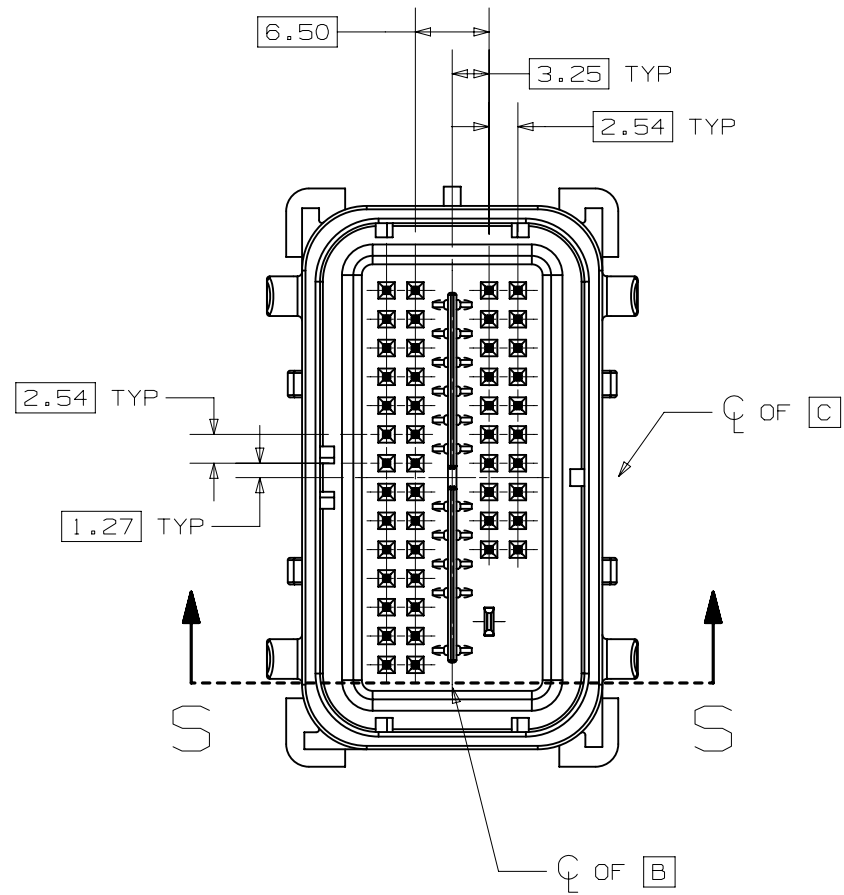
| DWG STATUS | | | PAGE NUMBER |
|------------|-----|-----|-------------|
| ST | REV | PD1 | |
| R | 001 | | 17 of 22 |

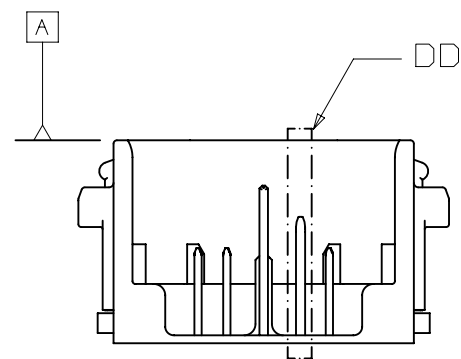
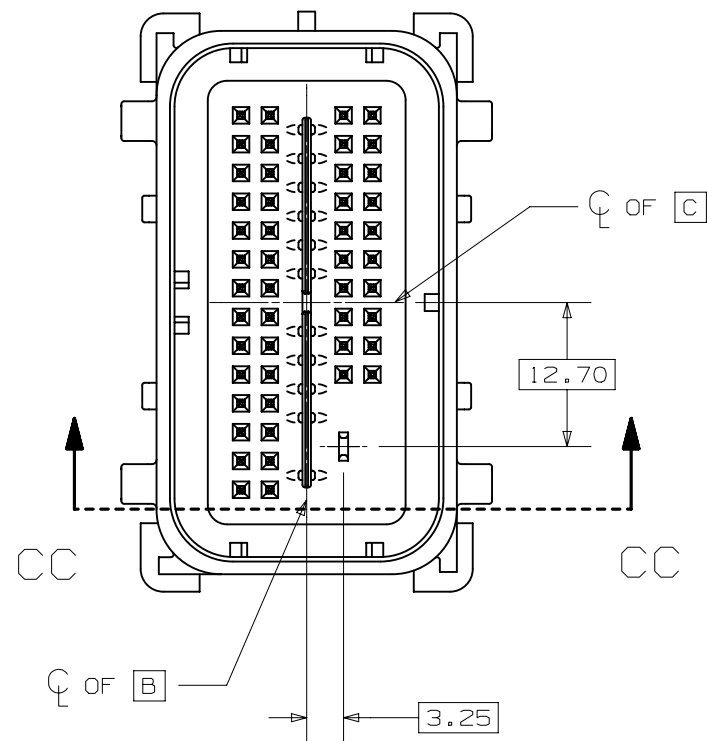


| CKT | DIM 077 |
|-------------|-------------------|
| 49 / 56 CKT | 32.60 +0.10/-0.80 |
| 18 CKT | 10.04 +0.10/-0.80 |

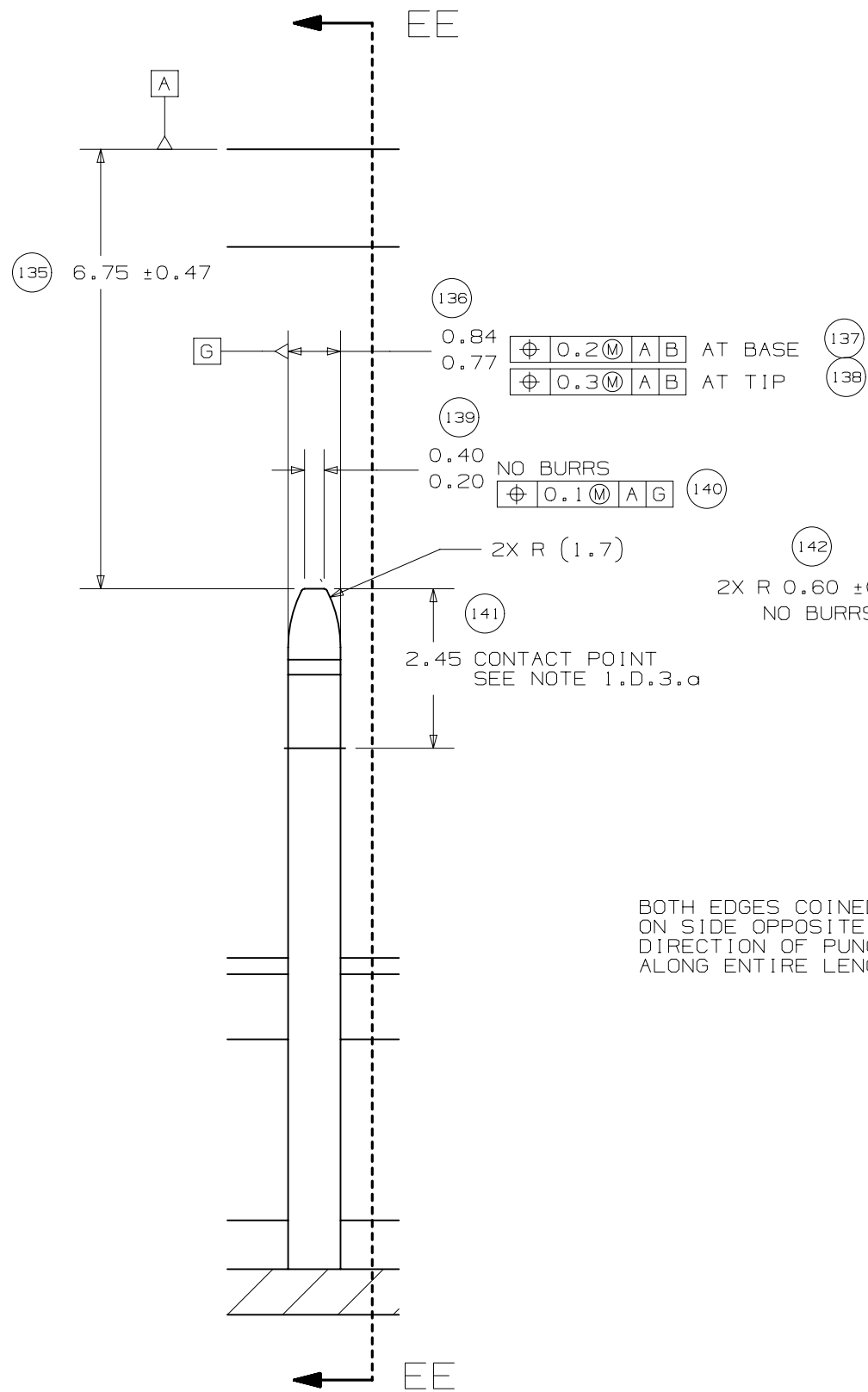




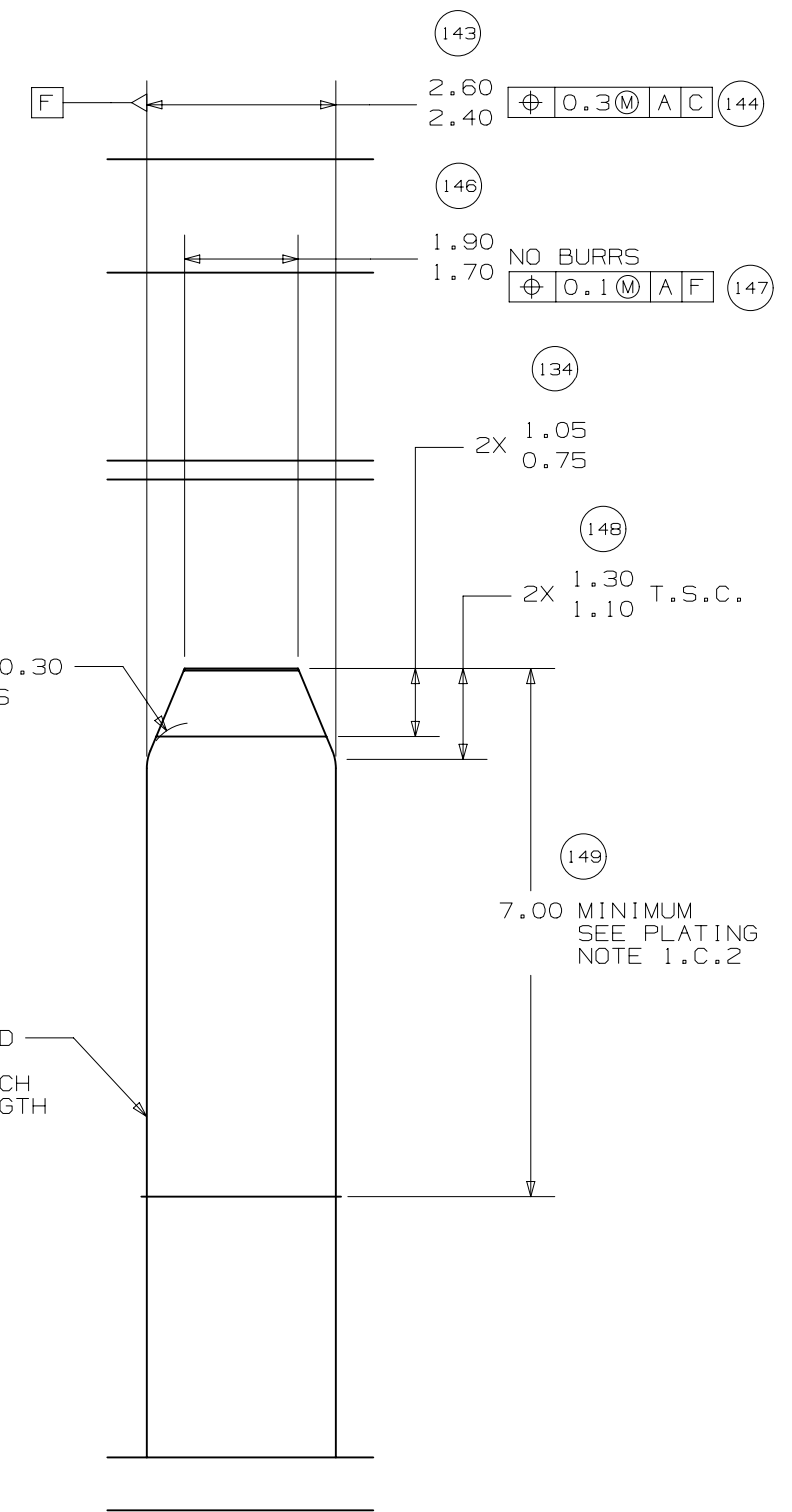




SECTION CC-CC

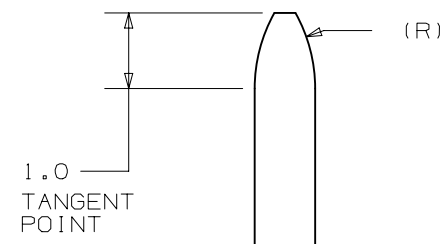


DETAIL DD
TYPICAL

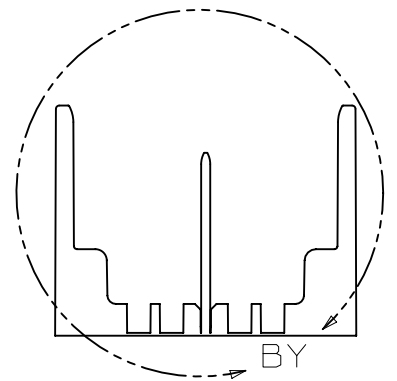
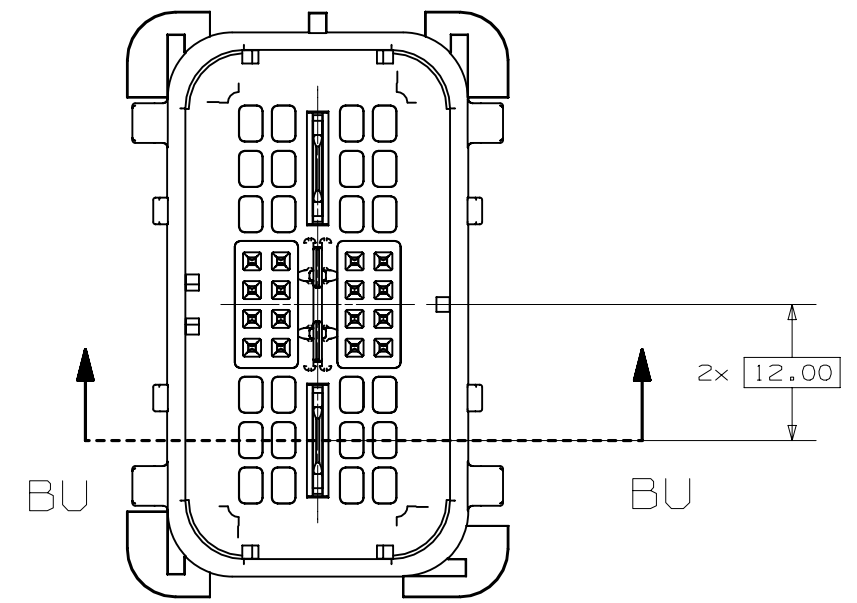


SECTION EE-EE
TYPICAL

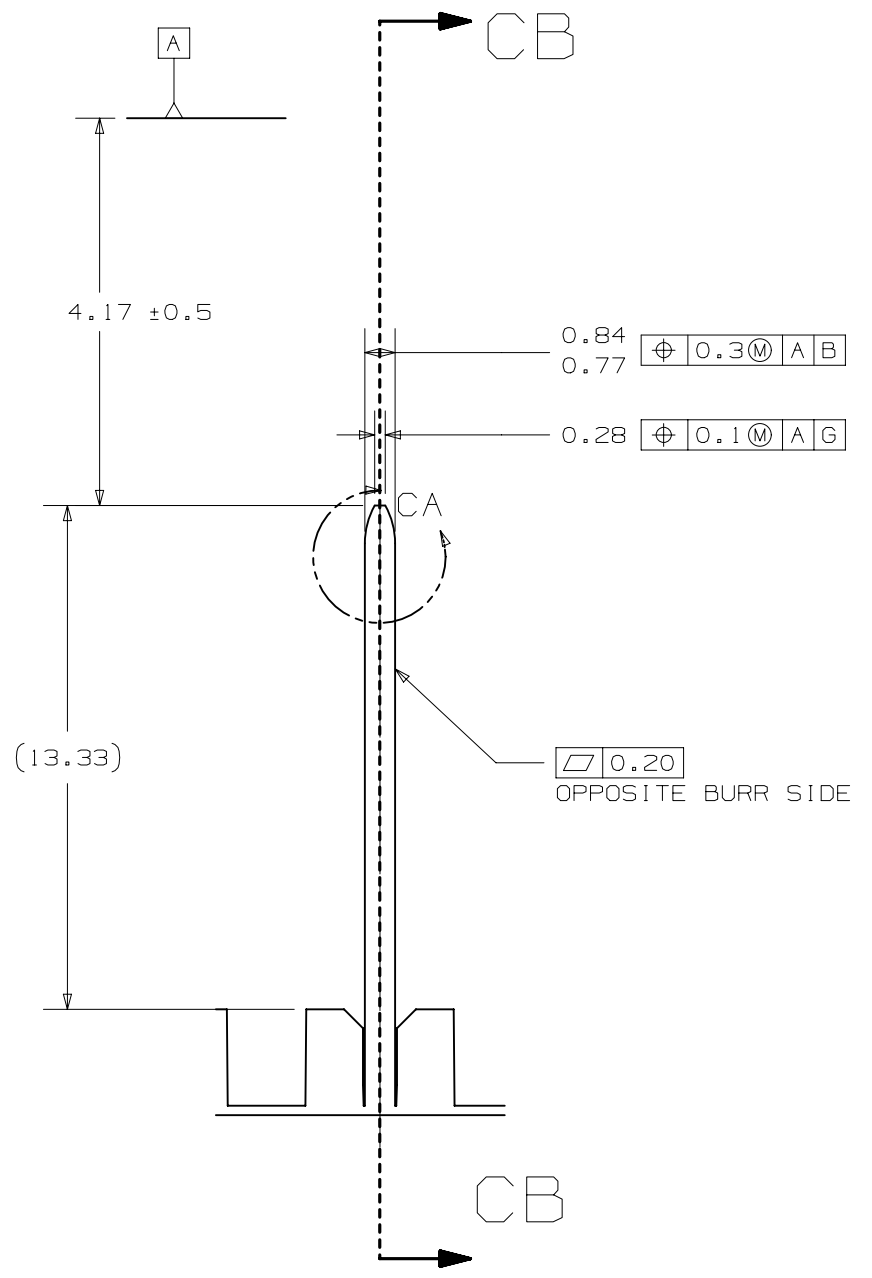




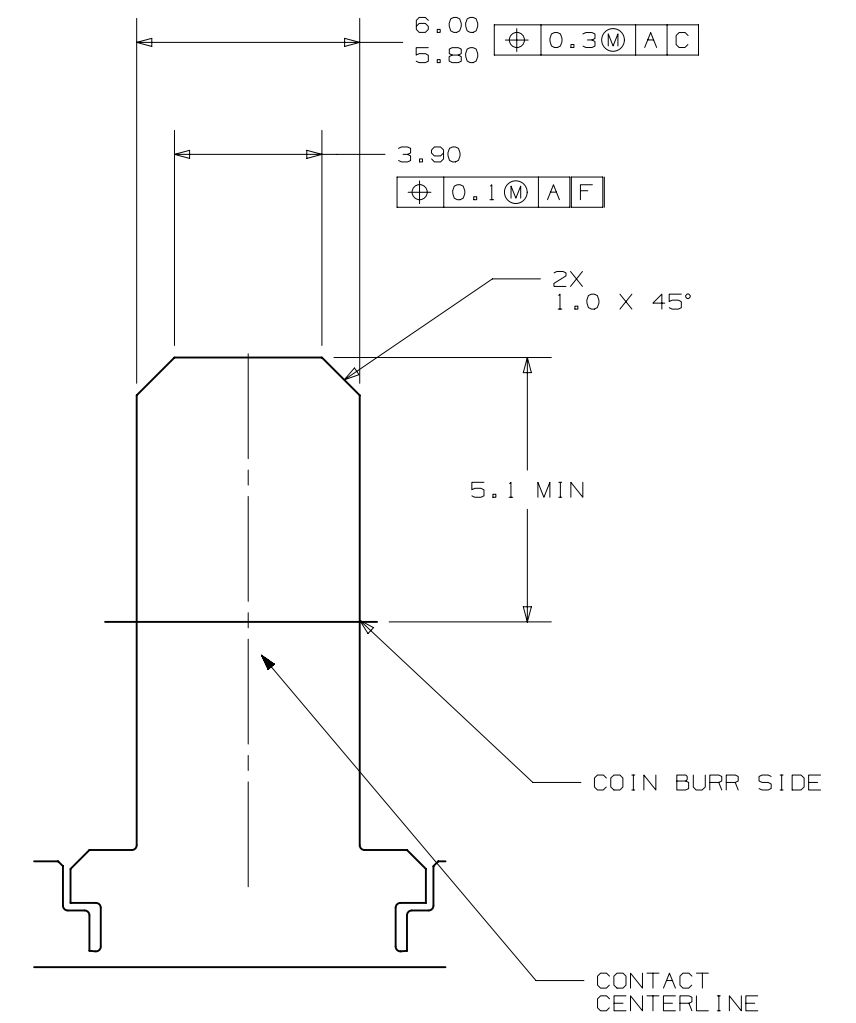
VIEW CA
SCALE 10:1



SECTION BU-BU



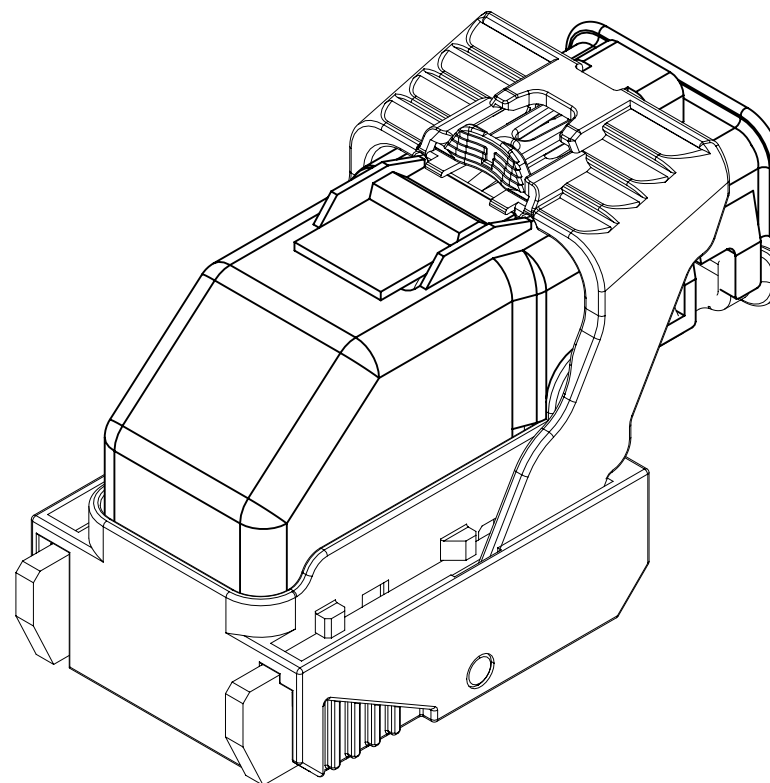
VIEW BY
SCALE 5:1




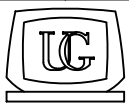
SECTION CB-CB

| | | | | | | | |
|-----------|-------------------------------|----------------|------------|----|-----|-------------|----------|
| GM | PAGE TITLE | DRAWING NUMBER | DWG STATUS | | | PAGE NUMBER | |
| | COMPONENT CONNECTOR INTERFACE | | 12642694 | ST | REV | PDI | 22 of 22 |
| | | | | R | 001 | | |

| INDEX | |
|---|------|
| PAGE TITLE | PAGE |
| TITLE BLOCK | 1 |
| REVISION BLOCK | 2 |
| PART BLOCK | 3 |
| KPC BLOCK | 4 |
| COMPONENT TABLE | 5 |
| NOTES | 6 |
| NOTES | 7 |
| WIRE DRESS PACKAGING DIMENSIONS | 8 |
| LOCATION AND PACKAGING DIMENSIONS REFERENCING INTERFACE DATUMS B & C | 9 |
| LOCATION AND PACKAGING DIMENSIONS REFERENCING INTERFACE DATUM A | 10 |
| KEY ID REF - WIRE DRESS OPTION 0 | 11 |
| KEY ID REF - WIRE DRESS OPTION 9 | 12 |
| CIRCUIT CONFIGURATIONS | 13 |
| CIRCUIT CONFIGURATIONS | 14 |
| COMPONENT CONNECTOR INTERFACE | 15 |
| COMPONENT CONNECTOR INTERFACE | 16 |
| COMPONENT CONNECTOR INTERFACE | 17 |
| COMPONENT CONNECTOR INTERFACE | 18 |
| COMPONENT CONNECTOR INTERFACE | 19 |
| COMPONENT CONNECTOR INTERFACE | 20 |
| COMPONENT CONNECTOR INTERFACE | 21 |
| COMPONENT CONNECTOR INTERFACE | 22 |



ISO VIEW

| | | | | |
|---|--|-------------------------------------|----------------|-------------|
|  | THIS DOCUMENT IS IN ACCORDANCE WITH ASME Y14.5M-1994 AS AMENDED BY THE GM GLOBAL DIMENSIONING AND TOLERANCING ADDENDUM - 2004. | | | DATE |
| |  CHANGE RESTRICTED NO MANUAL CHANGES | REFERENCE 12H (MOLEX AUTOMOTIVE) | DRAFTER | D. KOEHLER |
| DO NOT SCALE | APVD1 | | M.R. OOSTERINK | 29AP15 |
| | APVD2 | | J. SWARTZ | 29AP15 |
| | APVD3 | | G. FLECK | 08MY15 |
| | APVD4 | | | |
| | APVD5 | | | |
| METRIC DIMENSIONS SHOWN IN MILLIMETERS UNLESS OTHERWISE SPECIFIED | DRAWING NAME HARNESS CONN ASM-SEALED 18/49/56 CKTS, MX123 | | | |
| DRAWING NUMBER | | DWG STATUS | | PAGE NUMBER |
| 12642694 | | ST | REV | PDI |
| | | R | 001 | |
| | | | | 1 of 22 |

| PAGE | DWG STATUS | | | | | REVISION HISTORY | AUTH | DR | CK | ENG |
|------|------------|----|-----|-----|-----|------------------|------|----|----|-----|
| | DATE | ST | REV | CHG | PDI | | | | | |

| PAGE | DWG STATUS | | | | | REVISION HISTORY | AUTH | DR | CK | ENG |
|------|------------|----|-----|-----|-----|---------------------------------|--------|-----|-----|-----|
| | DATE | ST | REV | CHG | PDI | | | | | |
| | 08MY15 | R | 001 | | | RELEASED TO PRODUCTION AT DLS A | CRMRJD | DFK | MRO | GF |

KEY PRODUCT CHARACTERISTICS
(IN ACCORDANCE WITH QN 1805 OR ON 1050)



SAFETY/COMPLIANCE

TOTAL ON
DRAWING

5



FIT/FUNCTION

LAST NO.
USED

5

| NO | TYPE | DESCRIPTION | RATIONALE | PAGE/ZONE |
|----|------|---------------------------------|------------------------------------|-----------|
| 1 | F/F | 32.68 | IMPROVE CONNECTOR SYSTEM MATING | 16 |
| 2 | F/F | 29.00 | INSURE PROPER RELEASE OF LEVER | 16 |
| 3 | F/F | 15.25 | INSURE FINAL MATE POSITION | 17 |
| 5 | F/F | POSITIONAL TOLERANCE (2 PLACES) | INSURE CONNECTOR SYSTEM MATIBILITY | 20 |



PAGE TITLE
KPC BLOCK

DRAWING NUMBER

12642694

DWG STATUS

| | | |
|----|-----|-----|
| ST | REV | PD1 |
|----|-----|-----|


| | | |
|---|-----|--|
| R | 001 | |
|---|-----|--|

PAGE NUMBER

4 OF 22

| P. No | MFG. | MFG. P/N | GM P/N | Effective Date | APPLICABLE COMPONENTS | Key Option | Wire Dress Option | Key Config. | Color | Status |
|-------|--------|--------------|-------------|----------------|---|------------|-------------------|-------------|---------|------------|
| | | | | | DESCRIPTION | | | | | |
| 1 | Molex | 34575-0003 | 12582679 | 02JN03 | WIRE HARNESS COVER | N/A | NA | N/A | BLACK | AVAILABLE |
| 2 | Molex | 34576-0103 | 12666118 | 31JL15 | HARN CONN ASM 49 CKT | A | 0 | 1458 | BLACK | ACTIVE |
| 3 | Molex | 34576-0203 | 12650786 | T.B.D. | HARN CONN ASM 49 CKT | B | 0 | 1468 | ST GRAY | NOT ACTIVE |
| 4 | Molex | 34576-0303 | 12666120 | 31JL15 | HARN CONN ASM 49 CKT | C | 0 | 2467 | BLUE | ACTIVE |
| 5 | Molex | 34576-0403 | 12615660 | T.B.D. | HARN CONN ASM 49 CKT | D | 0 | 2367 | BROWN | NOT ACTIVE |
| 6 | Molex | 34576-0503 | 12615661 | T.B.D. | HARN CONN ASM 49 CKT | E | 0 | 2468 | GREEN | NOT ACTIVE |
| 7 | Molex | 34576-0603 | 12615662 | T.B.D. | HARN CONN ASM 49 CKT | F | 0 | 1357 | NATURAL | NOT ACTIVE |
| 8 | Molex | 34576-0703 | 12582680 | 11JN04 | HARN CONN ASM 56 CKT | G | 0 | 1358 | BLUE | AVAILABLE |
| 9 | Molex | 34576-0803 | 12582681 | 11JN04 | HARN CONN ASM 56 CKT | H | 0 | 2458 | ST GRAY | AVAILABLE |
| 10 | Molex | 34576-0903 | 12615658 | T.B.D. | HARN CONN ASM 56 CKT | J | 0 | 2457 | BLACK | NOT ACTIVE |
| 11 | Molex | 34576-1003 | AVA77166 | T.B.D. | HARN CONN ASM 56 CKT | K | 0 | 2357 | BROWN | NOT ACTIVE |
| 12 | Molex | 34576-1103 | AVA77167 | T.B.D. | HARN CONN ASM 56 CKT | L | 0 | 2368 | GREEN | NOT ACTIVE |
| 13 | Molex | 34576-1203 | AVA77168 | T.B.D. | HARN CONN ASM 56 CKT | M | 0 | 2358 | NATURAL | NOT ACTIVE |
| 14 | Molex | 34576-1303 | 12666119 | 31JL15 | HARN CONN ASM 49 CKT | A | 9 | 1458 | BLACK | ACTIVE |
| 15 | Molex | 34576-1403 | 12650787 | T.B.D. | HARN CONN ASM 49 CKT | B | 9 | 1468 | ST GRAY | NOT ACTIVE |
| 16 | Molex | 34576-1503 | 12666121 | 31JL15 | HARN CONN ASM 49 CKT | C | 9 | 2467 | BLUE | ACTIVE |
| 17 | Molex | 34576-1603 | 12615663 | T.B.D. | HARN CONN ASM 49 CKT | D | 9 | 2367 | BROWN | NOT ACTIVE |
| 18 | Molex | 34576-1703 | 12615664 | T.B.D. | HARN CONN ASM 49 CKT | E | 9 | 2468 | GREEN | NOT ACTIVE |
| 19 | Molex | 34576-1803 | 12615665 | T.B.D. | HARN CONN ASM 49 CKT | F | 9 | 1357 | NATURAL | NOT ACTIVE |
| 20 | Molex | 34576-1903 | 12603600 | 11JN04 | HARN CONN ASM 56 CKT | G | 9 | 1358 | BLUE | AVAILABLE |
| 21 | Molex | 34576-2003 | 12603601 | T.B.D. | HARN CONN ASM 56 CKT | H | 9 | 2458 | ST GRAY | NOT ACTIVE |
| 22 | Molex | 34576-2103 | 12615659 | T.B.D. | HARN CONN ASM 56 CKT | J | 9 | 2457 | BLACK | NOT ACTIVE |
| 23 | Molex | 34576-2203 | AVA77192 | T.B.D. | HARN CONN ASM 56 CKT | K | 9 | 2357 | BROWN | NOT ACTIVE |
| 24 | Molex | 34576-2303 | AVA77193 | T.B.D. | HARN CONN ASM 56 CKT | L | 9 | 2368 | GREEN | NOT ACTIVE |
| 25 | Molex | 34576-2403 | AVA77143 | T.B.D. | HARN CONN ASM 56 CKT | M | 9 | 2358 | NATURAL | NOT ACTIVE |
| 26 | Molex | 34851-0007 | 12644156 | 31AU15 | HARN CONN ASM 18 CKT | G | 0 | 1358 | BLUE | ACTIVE |
| 27 | Molex | 34851-0008 | 12644158 | 31AU15 | HARN CONN ASM 18 CKT | H | 0 | 2458 | ST GRAY | ACTIVE |
| 28 | Molex | 34851-0019 | 12644157 | 31AU15 | HARN CONN ASM 18 CKT | G | 9 | 1358 | BLUE | ACTIVE |
| 29 | Molex | 34851-0020 | 12644159 | 31AU15 | HARN CONN ASM 18 CKT | H | 9 | 2458 | ST GRAY | ACTIVE |
| 30 | Molex | 34736-2002 | 12642697 | 01AU10 | MX64 RCPT TERM Ag 18/20 GAGE B (RIGHT PAYOFF) | N/A | N/A | N/A | N/A | AVAILABLE |
| 31 | Molex | 34736-2001 | 12642696 | 01AU10 | MX64 RCPT TERM Ag 22 GAGE B (RIGHT PAYOFF) | N/A | N/A | N/A | N/A | AVAILABLE |
| 32 | Molex | 34586-0001 | T.B.D. | 11JN04 | MX123 0.64MM GROMMET PLUG | N/A | N/A | N/A | NATURAL | AVAILABLE |
| 33 | Yazaki | 7116-4150-02 | 12588066 | 02JN03 | 2.8mm YESC SEALED FEMALE TERMINAL TIN 20/22 GAGE (CABLE RANGE 0.30mm-0.60mm) | N/A | N/A | N/A | N/A | NOT ACTIVE |
| 34 | Yazaki | 7116-4151-02 | 12588067 | 02JN03 | 2.8mm YESC SEALED FEMALE TERMINAL TIN 16/18 GAGE (CABLE RANGE 0.75mm-1.40mm) | N/A | N/A | N/A | N/A | NOT ACTIVE |
| 35 | Yazaki | 7116-4152-02 | 12582685 | 02JN03 | 2.8mm YESC SEALED FEMALE TERMINAL TIN 14 GAGE (CABLE RANGE 1.50mm-2.50mm) | N/A | N/A | N/A | N/A | AVAILABLE |
| 36 | Yazaki | 7158-3111-60 | 12588068 | 02JN03 | 2.8mm CABLE SEAL (wire O.D. range 1.20mm-1.90mm) | N/A | N/A | N/A | GREEN | NOT ACTIVE |
| 37 | Yazaki | 7158-3112-70 | 12588069 | 02JN03 | 2.8mm CABLE SEAL (wire O.D. range 1.80mm-2.30mm) | N/A | N/A | N/A | YELLOW | NOT ACTIVE |
| 38 | Yazaki | 7158-3113-40 | 12582686 | 02JN03 | 2.8mm CABLE SEAL (wire O.D. range 2.18mm-3.00mm) | N/A | N/A | N/A | WHITE | AVAILABLE |
| 39 | Yazaki | 7158-3114-90 | T.B.D. | 02JN03 | 2.8mm YESC CAVITY PLUG | N/A | N/A | N/A | BLUE | AVAILABLE |
| 40 | FCI | 33140138 | 12646399 | 10JA14 | 6.35mm APEX RCPT TERM Sn/Ag GRIP CODE-10 (6mm2) - Greased | N/A | N/A | N/A | N/A | AVAILABLE |
| 41 | FCI | 33140135 | 12654556 | 10JA14 | 6.35mm APEX RCPT TERM Sn/Ag GRIP CODE-TBD (1mm2) - Greased | N/A | N/A | N/A | N/A | AVAILABLE |
| 42 | QSR | A-0549C | 12646688 | 01SE14 | 6.35mm CABLE SEAL (FOR 6.0mm2 WIRE SIZE - 3.6 TO 4.2mm INSULATION OD) | N/A | N/A | N/A | WHITE | AVAILABLE |
| 43 | QSR | A-0549B | 12654557 | 01SE14 | 6.35mm CABLE SEAL (FOR 0.75-1.25mm2 WIRE SIZE - 1.8 TO 2.3mm INSULATION OD) | N/A | N/A | N/A | BLUE | AVAILABLE |
| 44 | Molex | 63811-4200 | XX019825 | 02JN03 | MX64 TERM HAND CRIMP TOOL | N/A | N/A | N/A | N/A | AVAILABLE |
| 45 | Molex | 63813-1400 | XX019826 | 02JN03 | MX64 TERM SERVICE TOOL | N/A | N/A | N/A | N/A | AVAILABLE |
| 46 | Molex | 63865-8000 | XX019827 | 02JN03 | MX64 CRIMP APPLICATOR with TOOL KIT 18/20 GAGE PAYOFF DIRECTION D (left payoff) (contact Molex for payoff detail) | N/A | N/A | N/A | N/A | AVAILABLE |
| 47 | Molex | 63865-8070 | XX019828 | 02JN03 | MX64 APPLICATOR TOOL KIT 18/20 GAGE | N/A | N/A | N/A | N/A | AVAILABLE |
| 48 | Molex | 63865-8100 | XX019829 | 02JN03 | MX64 CRIMP APPLICATOR with TOOL KIT 22 GAGE PAYOFF DIRECTION D (left payoff) (contact Molex for payoff detail) | N/A | N/A | N/A | N/A | AVAILABLE |
| 49 | Molex | 63865-8170 | XX019830 | 02JN03 | MX64 APPLICATOR TOOL KIT 22 GAGE | N/A | N/A | N/A | N/A | AVAILABLE |
| 50 | SPX | J35616-64 | T.B.D. | 02JN03 | 0.64mm PROBE TOOL (for rcpt) | N/A | N/A | N/A | N/A | AVAILABLE |
| 51 | SPX | J35616-64A | T.B.D. | 02JN03 | 0.64mm PROBE TOOL WITH EXT (for rcpt) | N/A | N/A | N/A | N/A | AVAILABLE |
| 52 | SPX | J35616-65 | T.B.D. | 02JN03 | 0.64mm PROBE TOOL WITH EXT (for pin) | N/A | N/A | N/A | N/A | AVAILABLE |
| 53 | SPX | J35616-4A | T.B.D. | 02JN03 | 2.8mm PROBE TOOL (for rcpt) | N/A | N/A | N/A | N/A | AVAILABLE |
| 54 | YAZAKI | X39899-J374 | 12094430 | 02JN03 | 2.8mm TERM SERVICE TOOL | N/A | N/A | N/A | N/A | AVAILABLE |
| 55 | TQ1 | 7000-1001 | N/A | 01FE15 | 18CKT PASS THROUGH ADAPTERS | N/A | N/A | N/A | BLACK | AVAILABLE |
| 56 | TQ1 | 7000-1004 | N/A | 01FE15 | 49CKT PASS THROUGH ADAPTERS | N/A | N/A | N/A | BLACK | AVAILABLE |
| 57 | TQ1 | 79917-0060 | N/A | 02JA08 | 56CKT PASS THROUGH ADAPTERS | N/A | N/A | N/A | BLACK | AVAILABLE |
| 58 | Molex | 63813-1500 | J-38125-217 | 01SE14 | 6.35mm APEX TERM SERVICE TOOL | N/A | N/A | N/A | N/A | AVAILABLE |

* MX123 WIRE HARNESS COVER MATES TO ANY 18/49/56 CKT MX123 HARN CONN ASSY SHOWN ON THIS TABLE

| | | | | | | |
|---|-----------------|----------------|------------|-----|-----|-------------|
|  | PAGE TITLE | DRAWING NUMBER | DWG STATUS | | | PAGE NUMBER |
| | COMPONENT TABLE | 12642694 | ST | REV | PDI | 5 of 22 |
| | | | R | 001 | | |

NOTES: UNLESS OTHERWISE SPECIFIED

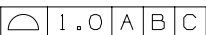
1. MATERIAL FOR INTERFACE:

- A. RESIN:
 - 1. 30% G.F. PBT; 20% MAX. (BY WEIGHT) REGRIND.
 - 2. MATING CONNECTOR INTERFACE PART COLOR MUST BE SAME AS MATCHING KEYED HARNESS CONNECTOR ASSEMBLY.
 - 3. MUST BE VALIDATED FOR INDIVIDUAL DEVICE APPLICATION REQUIREMENTS.
- B. 0.64MM PINS:
 - 1. BASE MATERIAL: COPPER ALLOY; CONDUCTIVITY >= 28% IACS AT 20°C; TENSILE STRENGTH >= 635 N/mm²; SURFACE ROUGHNESS R_a 6 MAX.
 - 2. PLATING FINISH: SILVER (Ag). PLATING TO BE 1.9-3.3 μm ELECTRODEPOSITED SEMI-BRIGHT SILVER OVER 1.25-2.25 μm DUCTILE SULPHAMATE NICKEL PER NOTE 1(D).
 - 3. ANTI-TARNISH: SYNTHETIC HYDROCARBON CONTACT SURFACE FINISH OR EQUIVALENT APPLIED WITHOUT VOID TO CONTACT AREA (MIN 3.7mm FROM PIN TIP).
- C. 2.8MM BLADE:
 - 1. BASE MATERIAL: COPPER ALLOY; CONDUCTIVITY >= 28% IACS AT 20°C; TENSILE STRENGTH >= 350 N/mm²; SURFACE ROUGHNESS R_a 6 MAX.
 - 2. PLATING FINISH: TIN. PLATING TO BE 2.5-5.0 μm ELECTRODEPOSITED TIN, MATTE FINISH OVER 1.25-2.5μm DUCTILE SULPHAMATE NICKEL PER NOTE 1(D).
- D. 6.3MM BLADE:
 - 1. BASE MATERIAL: COPPER ALLOY; CONDUCTIVITY >= 50% IACS AT 20°C;
 - 2. PLATING FINISH: SILVER (Ag) PLATING TO BE 1.9-3.3 μm ELECTRODEPOSITED SEMI-BRIGHT SILVER, OVER 1.25-2.5μm DUCTILE SULPHAMATE NICKEL PER NOTE 1(D) WITH ENVIRONMENTAL BARRIER OR TIN/SILVER (ELECTRO-DEPOSITED), UNDERPLATE 0.5-2.0 μm NICKEL OR COPPER. TOP PLATING: 1.0-3.0 μm (SILVER RANGE 3.75-X.XX NO ANTI-TARNISH COATING REQUIRED).

E. PLATING REQUIREMENTS:


- 1. SILVER PLATING
 - a. 99.5% PURE SEMI-BRIGHT WITH NO ORGANIC BRIGHTNERS OR CHROMATES.
- 2. NICKEL PLATING
 - a. ELECTRODEPOSITED DUCTILE SULFAMATE NICKEL WITH A NON-BRIGHTENED FINISH. NO ORGANIC OR BRIGHTENING AGENTS SHALL BE ALLOWED.
 - b. SHALL ONLY BE USED AS AN UNDERLYING PLATING AND MAY NOT BE USED AS AN ELECTRICAL CONTACT SURFACE PLATING.
 - c. SHALL BE NODULE FREE WHEN VIEWED AT 10X MAGNIFICATION IN MEASURED IN CONTACT SURFACE AREA PLUS 0.5MM PERIMETER AROUND THE CONTACT SURFACE AREA.
 - d. ALL PLATINGS SHALL HAVE A 1.0% MAXIMUM BY WEIGHT IMPURITIES. IMPURITIES ARE DEFINED AS ALL ELEMENTS NOT THE PRIMARY PLATING OR HARDENING AGENT IF APPLICABLE, AS DETERMINED BY WET CHEMICAL ANALYSIS OR AUGER METHOD. NO SINGLE IMPURITY SHALL EXCEED 0.1% MAXIMUM BY WEIGHT.
- 3. TESTING
 - a. THICKNESS TO BE MEASURED IN CONTACT SURFACE AREA PLUS 0.5MM PERIMETER AROUND THE CONTACT SURFACE AREA AS DESIGNATED IN THE DRAWING. THICKNESS SHALL BE DETERMINED BY METHOD OF X-RAY (XRF).
 - b. PLATING ADHESION SHALL BE TESTED BY A BEND TEST FOR ALL METALS. THE TEST SAMPLE SHALL BE BENT 90 DEGREES TO DETERMINE DEPOSIT ADHESION. TESTING SHALL BE COMPLETED IN ACCORDANCE WITH ASTM SPEC B571.

2. DESIGN - GENERAL:

- A. THIS IS A 100% CAD GENERATED PART. THE CAD MATHEMATICAL DATA IS THE MASTER FOR THIS PART. WHERE DIMENSIONS ARE SPECIFIED ON THE DRAWING, THE DRAWING IS THE AUTHORITY FOR DIMENSIONAL VALUES. FOR DIMENSIONAL OR ANY INFORMATION NOT SHOWN ON THIS DRAWING, ANALYZE THE CAD MODEL.
- B. DIMENSIONS OBTAINED FROM THE DIGITAL MODEL ARE BASIC:
 - 1. FOR RELATIONSHIPS BETWEEN FEATURES WHEN ESTABLISHED BY GEOMETRIC TOLERANCES.
 - 2. FOR THE FORM OF A FEATURE WHEN CONTROLLED BY A PROFILE TOLERANCE.
 - 3. FOR THE SIZE, FORM AND/OR RELATIONSHIP BETWEEN FIXED DATUM TARGETS.
- C. DIMENSIONS OBTAINED FROM THE DIGITAL MODEL ARE ROUNDED TO TWO DECIMAL PLACES (PER IEEE/ASTM SI 10-2002)
- D. VIEWS AND SECTIONS ON THIS DRAWING ARE IN ACCORDANCE WITH GM DCS SECTION C3.
- E. THE DIGITAL MODEL MUST CORRESPOND TO THE RELEASE LEVEL SHOWN IN THE PART BLOCK ON THIS DOCUMENT.
- F. TOLERANCES:
 - 1. LINEAR
 - 0.X ± 0.30
 - 0.XX ± 0.10
 - 0.XXX ± 0.10
 - 2. ANGULAR X° ± 3°
 - 3.  1.0 A B C
- G. MINIMUM WALL THICKNESS REQUIRED: 1.3mm.
- H. CORNERS SHOWN AS SHARP TO BE R 0.2 MAX.
- J. LETTERING SHALL BE 0.15 MAX RAISED IN 0.20 MAX RECESS PAD. THIS INCLUDES MATERIAL CODE, RECYCLING CODE, CAVITY ID AND DATE CODE.
- K-1. PARTS MUST BE FREE OF DISCOLORATION, SALT RESIDUE AND OTHER IMPERFECTIONS THAT AFFECT FIT OR FUNCTION.
- K-2. SCRATCHES OR DENTS NOT TO EXCEED 0.013mm IN DEPTH.
- L. FOLLOWING PRODUCTION CODES TO BE PERMANENTLY MARKED & HUMAN READABLE TO A LETTER HEIGHT OF 1.5 ± 0.5MM X 0.3 MAX DEEP
 - 1. MATERIAL #: XXXXX-XXXX
 - 2. DATE CODE: JJYY (JULIAN DAY, LAST DIGIT OF YEAR)
 - 3. INSPECTION MACHINE CODE + SERIAL #: X_XXXXX

3. DESIGN - MANUFACTURING:

- A. DRAFT TO BE WITHIN TOLERANCE.
- B. ALLOWABLE FLASH MAX 0.2 HIGH X MAX 0.13 THICK.
- C. ALLOWABLE PARTING LINE MISMATCH 0.2 MAX.
- D. EJECTOR PINS MARK TO BE FLUSH TO 0.25 MAX DEPRESSED.
- E. ALLOWABLE GATE VESTIGE FLUSH TO 0.25 MAX PROTRUSION.
- F. NO EXTERNAL MOLD RELEASE AGENT ALLOWED DURING MANUFACTURING.
- G. STEEL THAT FORMS THE INDICATED SURFACE MUST BE POLISHED WITH A DIAMOND FINISH (SPI A-2) OVER THE FULL PERIPHERY OF THE TOOL. SURFACE MUST HAVE NO MISMATCH.
- H. ANY PROCESS LUBRICANT REMAINING ON THE TERMINAL MUST NOT VARNISH OR DEGRADE IT'S ELECTRICAL PERFORMANCE UP TO A MAXIMUM CLASS AMBIENT TEMPERATURE PER SAE USCAR-2 FOR 1008 HOURS. PROCESS LUBRICANTS SHOULD BE APPROVED BY THE RESPONSIBLE ENGINEER.
- J. OPTIONAL FEATURES PROVIDED FOR AUTOMATION.
- K. PART MUST BE FREE FROM BURRS AND SHARP EDGES, WHICH MIGHT BE DETRIMENTAL TO SATISFACTORY ASSEMBLY, SAFE HANDLING OR FUNCTION OF PART.
- L. PARTS AS DELIVERED TO ASSEMBLY SHALL BE CLEAN AND FREE OF DEBRIS, RESIDUAL ABRASIVE MATERIAL AND CORROSION PRODUCTS ADVERESLY AFFECTING FUNCTION OR APPEARANCE.
- M. RESTRICTED AND REPORTABLE SUBSTANCES FOR PARTS PER GMW3059.

| | | | | | | |
|---|------------|----------------|------------|-----|-----|-------------|
|  | PAGE TITLE | DRAWING NUMBER | DWG STATUS | | | PAGE NUMBER |
| | NOTES | | 12642694 | | | |
| | | | ST | REV | PDI | |

NOTES: UNLESS OTHERWISE SPECIFIED

4. SYSTEM REQUIREMENTS:

- A. HARNESS CONNECTOR IS COMPATIBLE WITH THE FOLLOWING WIRE SIZE NO'S:
 SAE 14AWG, MEETING SAE J1128
 SAE 18AWG, MEETING SAE J1128, MAX O.D. OF 2.06 MM
 SAE 20AWG, MEETING SAE J1128
 SAE 22AWG, MEETING SAE J1128, MIN O.D. OF 1.47 MM
 ISO 6mm², FLR2X-A/T-125 PER GM 15626 (FEB 2008)
- B. CABLE TIE SPECIFICATIONS:
 1. CABLE TIE:
 TENSILE RATING: 220N / (50lbs) MIN
 TIE LENGTH: 186mm MIN
 TIE WIDTH: 4.75mm MAX
 MATERIAL: NYLON
 2. INSTALLATION:
 CABLE TIE TENSION: 190N MIN
 3. DRESSED WIRE BUNDLE PACKAGING: SEE FIG. 1
- C. WHEN MATED WITH COMPONENT CONNECTOR INTERFACE AND/OR DRESS COVER, HARNESS CONNECTOR SYSTEM CONFORMS TO THE FOLLOWING:
 1. SAE/USCAR-2, REV: 3 APRIL, 2001; CLASS 3
 2. FIELD CORRELATED LIFE TEST, SAE/USCAR-20, NOV. 2001
 3. GMW #3191 AUGUST 22, 2000 (DRAFT); TEMPERATURE CLASS 3 (145°C), SEALING CLASS 1 (HIGH PRESSURE SPRAY), VIBRATION CLASS 2 (ON BODY)
 4. TPA USER FORCES (FULLY POPULATED WITH TERMINALS)
 a. REMOVAL FROM LOCK TO PRE-SET: <=120N
- D. WIRE SPECIFICATIONS:
 1. WIRE SURFACE MUST BE FREE OF SCRATCHES, GROOVES OR DENTS WHERE FUNCTIONAL

5. TERMINAL CURRENT RATINGS:

ALL TESTING DONE IN ACCORDANCE WITH USCAR-2 REV5 SECTION 5.3

- A. MX64 RCPT TERM
 1. MX64 RCPT TERM Ag 18/20 GAGE CRIMPED TO SAE WIRE SIZE NO.18 AND MATED TO MX123 0.64MM PIN: 11.3 AMPS
 2. MX64 RCPT TERM Ag 22 GAGE CRIMPED TO SAE WIRE SIZE NO.22 AND MATED TO MX123 0.64MM PIN:8.5 AMPS

| WIRE | CURRENT RATING | | | |
|-------|----------------|----------|-----------|-----------|
| | 23 deg.C | 85 deg.C | 105 deg.C | 125 deg.C |
| 18AWG | 11.3A | 11.3A | 9.5A | 6.6A |
| 20AWG | 10.0A | 10.0A | 8.3A | 5.7A |
| 22AWG | 8.6A | 8.6A | 7.1A | 5.0A |

- B. 2.8MM RCPT TERM
 1. 2.8MM RCPT TERM TIN 14 GAGE CRIMPED TO SAE WIRE SIZE NO.14 AND MATED TO MX123 2.8MM BLADE: 25.6 AMPS
- C. 6.3MM RCPT TERM - FCI APEX
 1. 6.3MM RCPT TERM TIN/SILVER CRIMPED TO 6.0MM² WIRE AND MATED TO MOLEX 6.3MM² BLADE (Sn/Ag PLATED):36A AT 125°C
6. CONTACT MOLEX AUTOMOTIVE FOR AVAILABLE CUSTOM PATTERNS OF CAVITIES OPEN FOR CIRCUITS

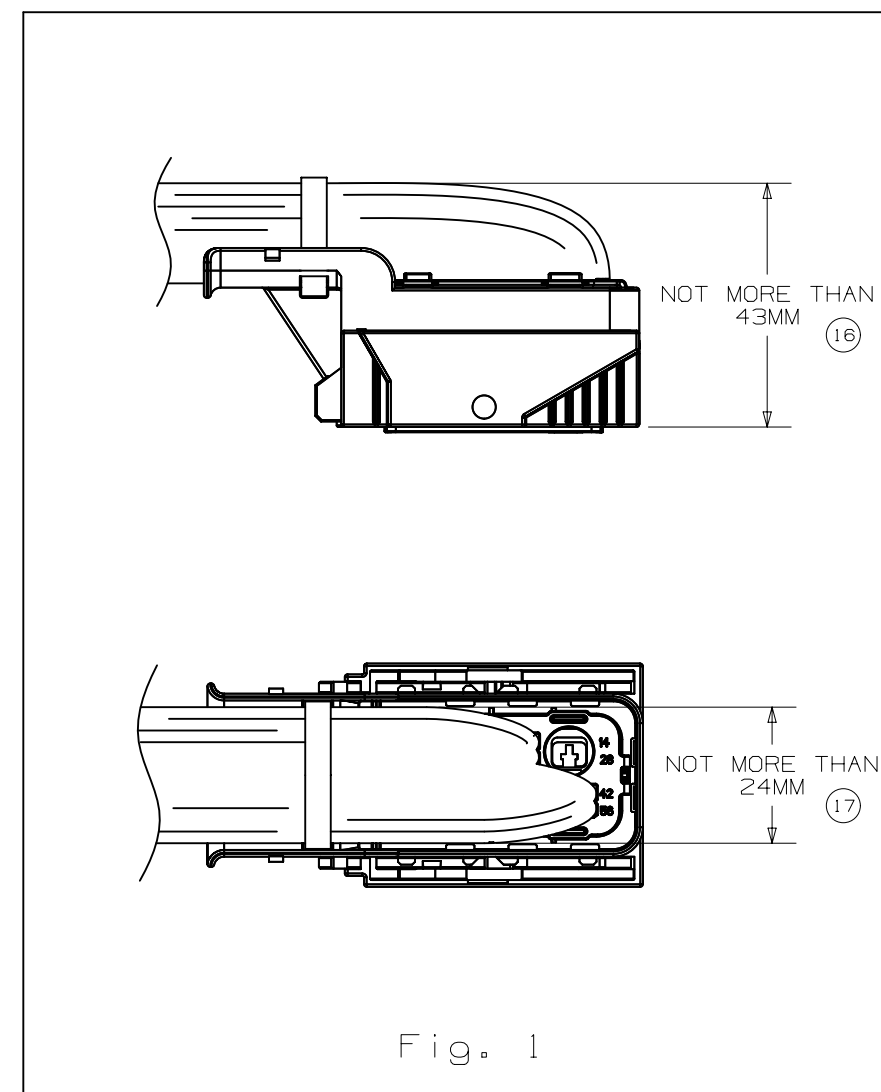
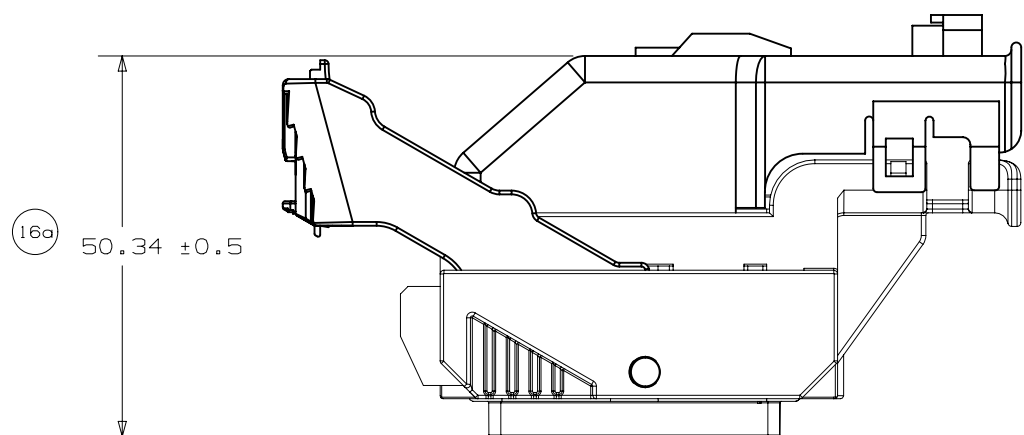


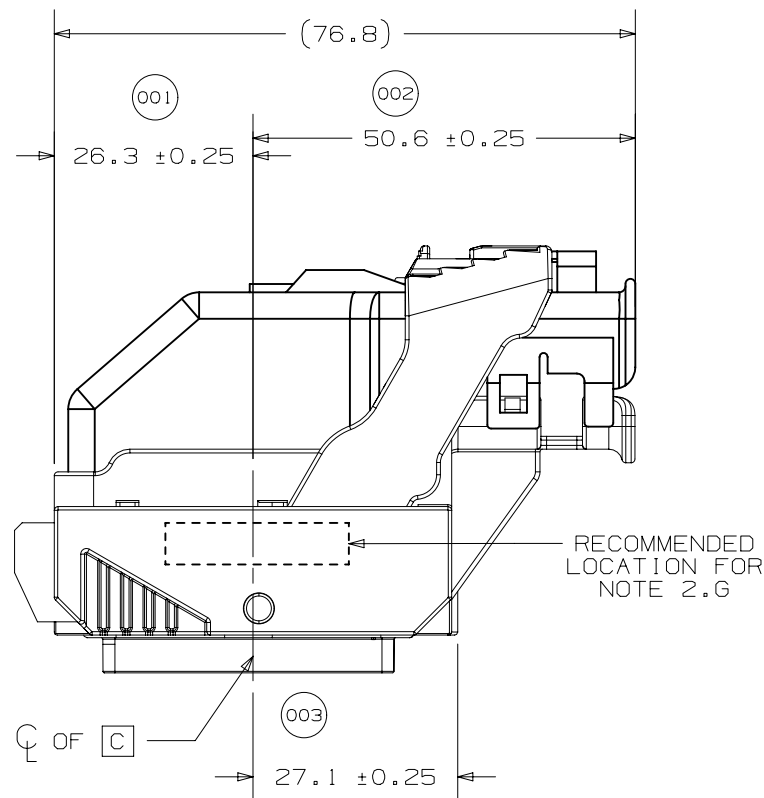
PAGE TITLE
 NOTES

DRAWING NUMBER
 12642694

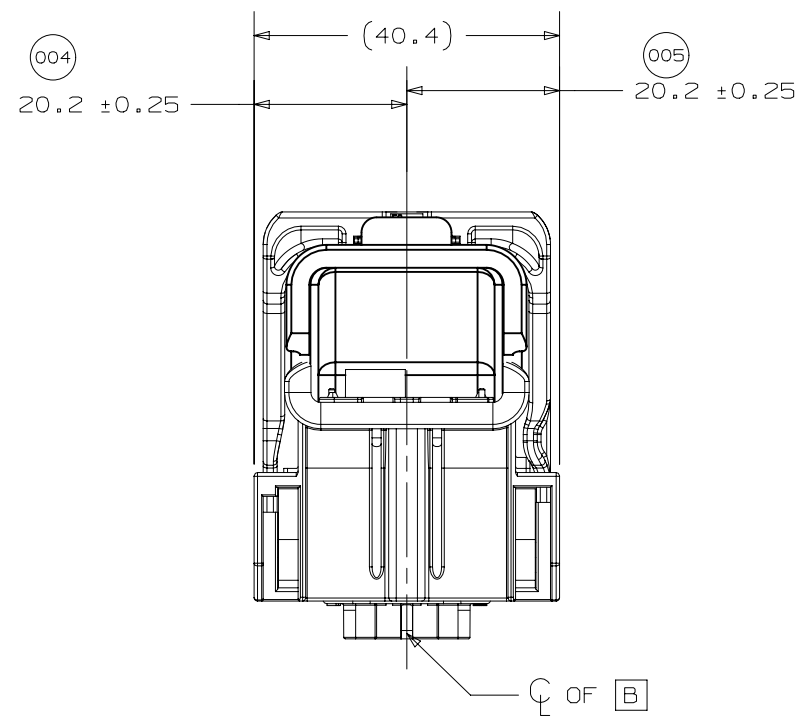
| DWG STATUS | | |
|------------|-----|-----|
| ST | REV | PDI |
| R | 001 | |

PAGE NUMBER
 7 of 22

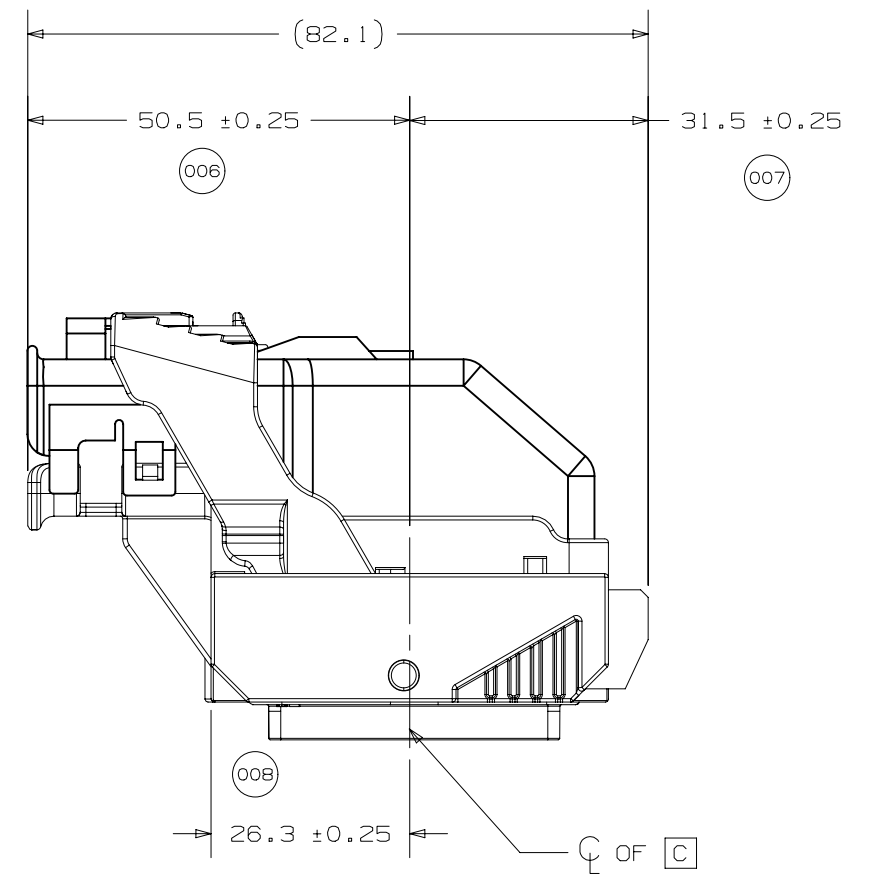




WIRE DRESS OPTION 0 SHOWN

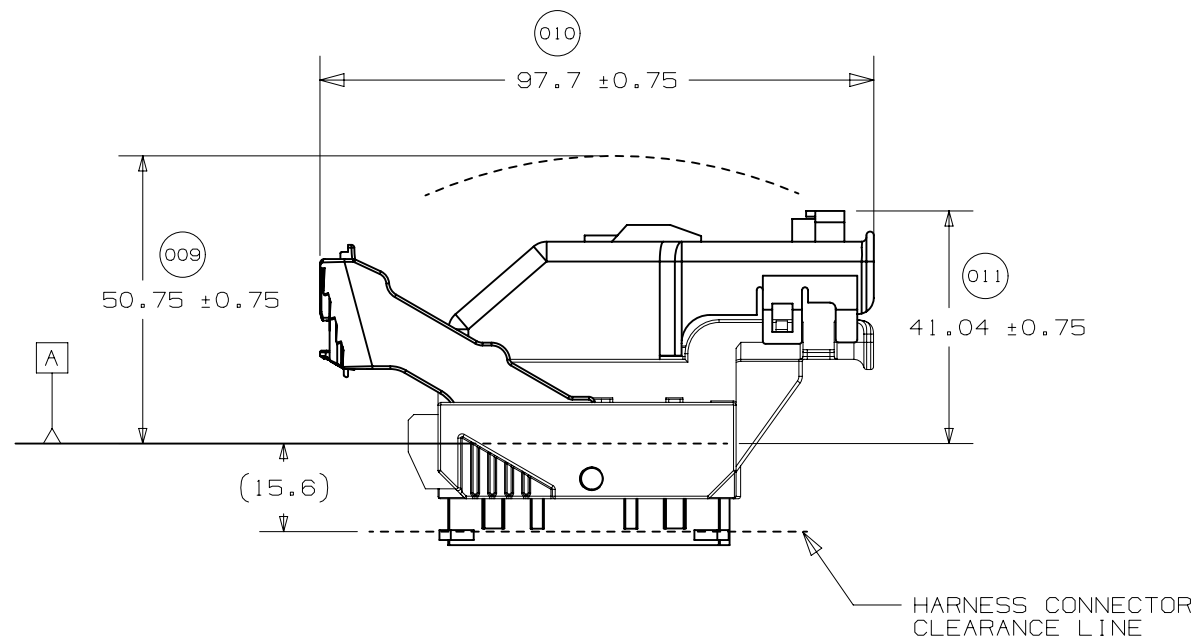
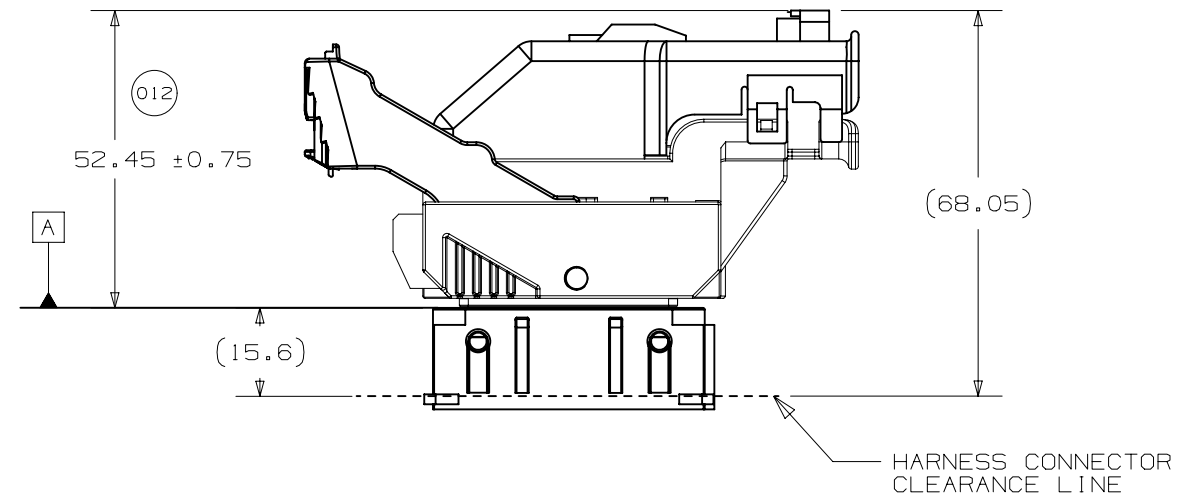


WIRE DRESS OPTION 0 SHOWN

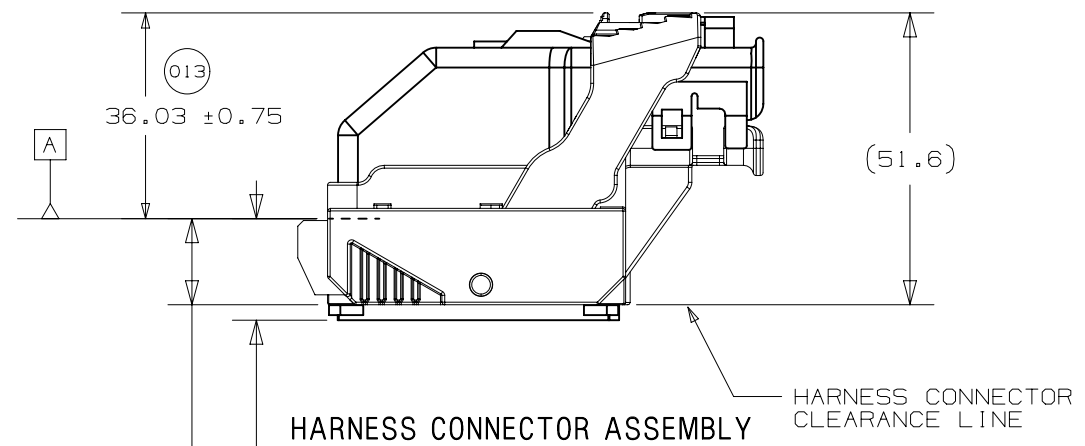


WIRE DRESS OPTION 9 SHOWN





HARNESS CONNECTOR ASSEMBLY
IN PRE-LOCK POSITION

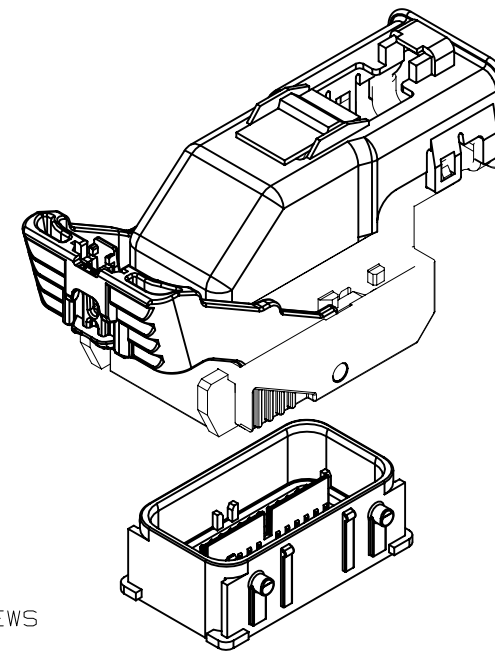
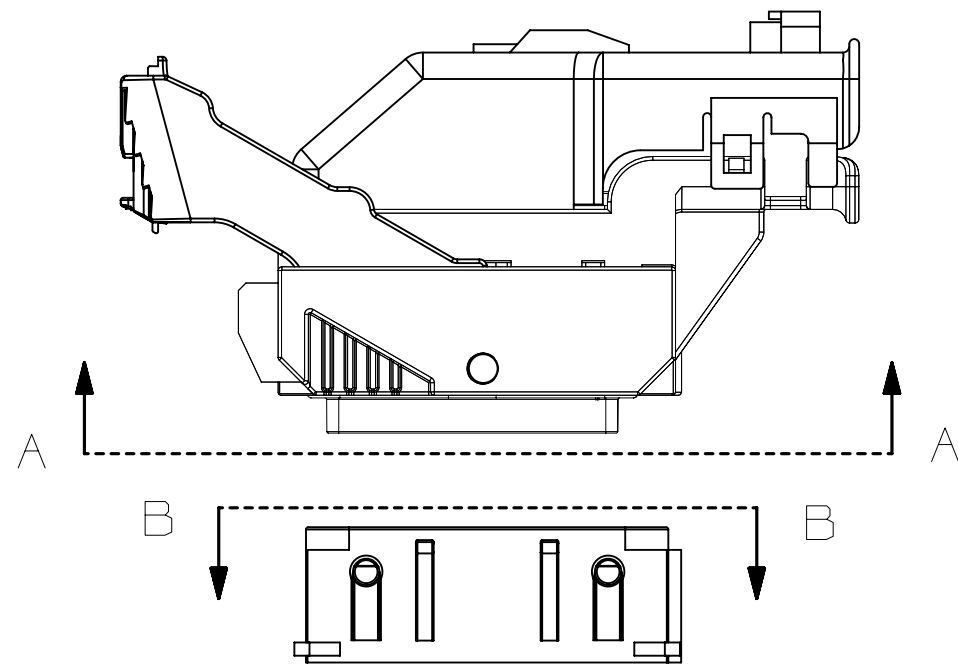


HARNESS CONNECTOR ASSEMBLY
IN FULLY-MATED POSITION

17.9 MIN. AT PAD LOCATION
CLEARANCE REQUIRED
FOR HARNESS CONNECTOR,
CONSTRUCTION BELOW THIS
PLANE IS NOT CONTROLLED

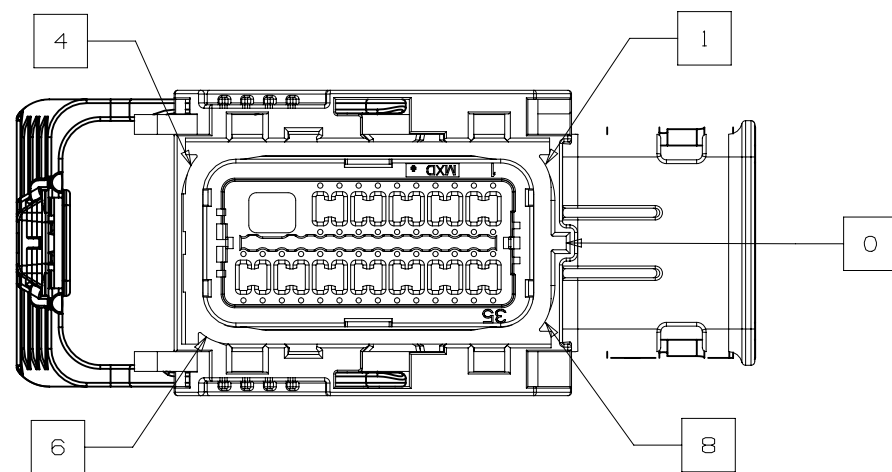
15.6 MIN.
ALL AROUND
CLEARANCE REQUIRED
FOR HARNESS CONNECTOR



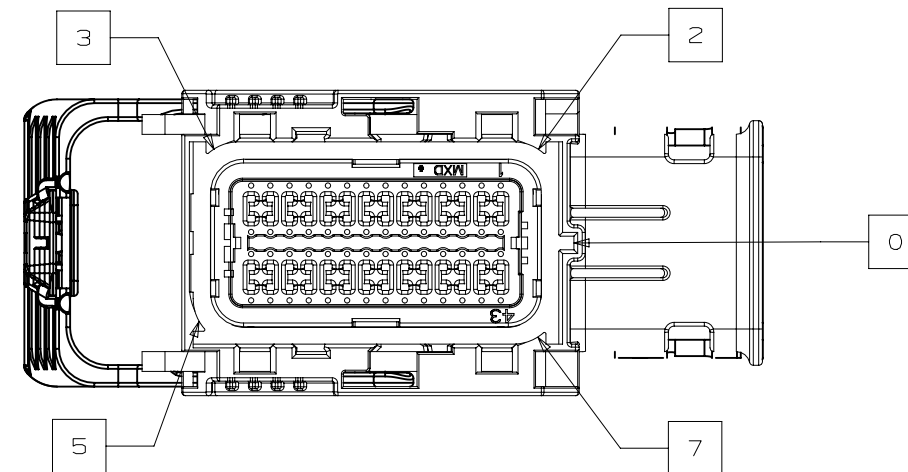


NOTE: REFERENCE THE COMPONENT TABLE FOR KEY OPTIONS AND CONFIGURATIONS

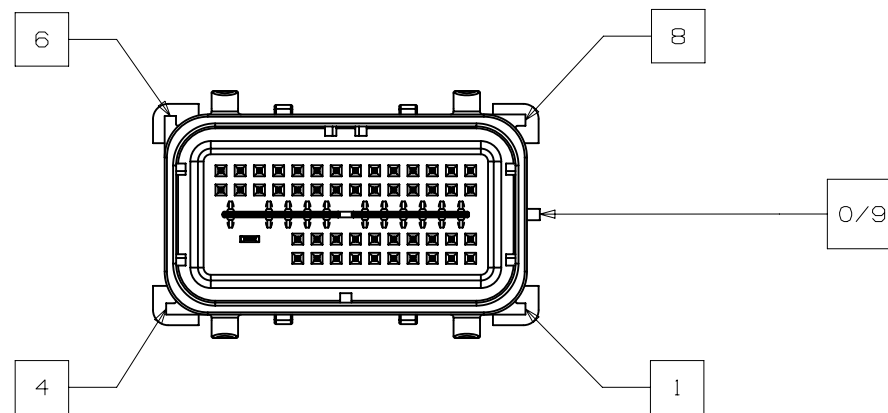
INTERFACE SIDE SHOWN IN ALL SECTION VIEWS



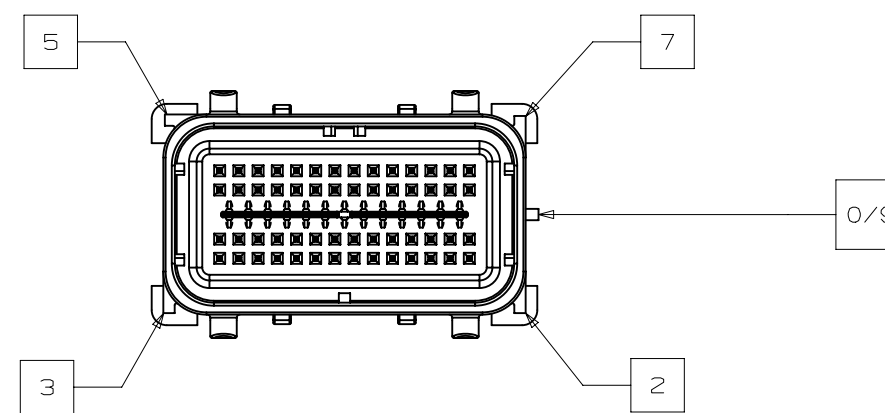
SECTION A-A
KEY OPTION B SHOWN



SECTION A-A
KEY OPTION K SHOWN



SECTION B-B
KEY OPTION B SHOWN



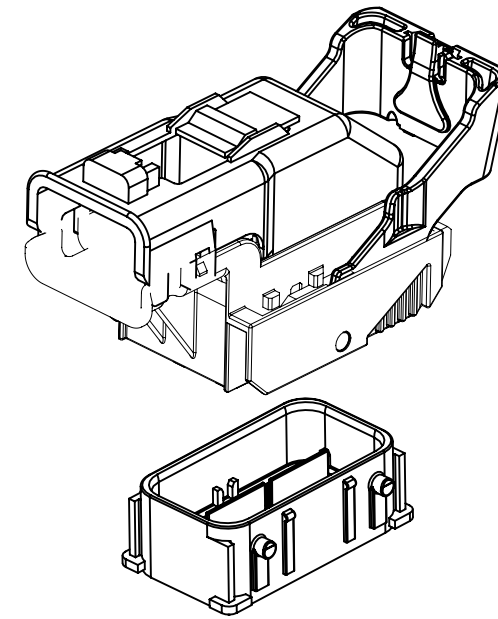
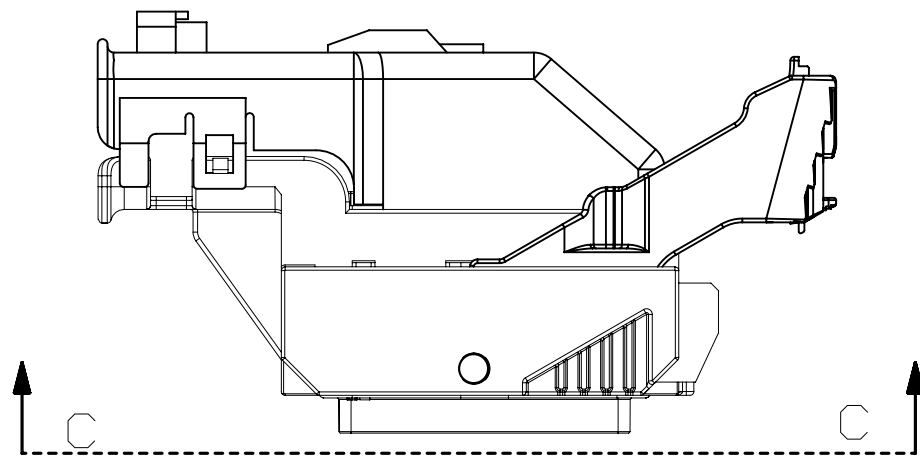
SECTION B-B
KEY OPTION K SHOWN



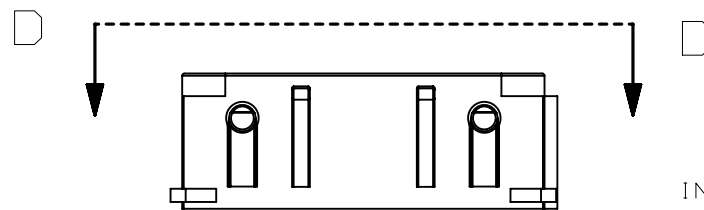
PAGE TITLE
KEY ID REF - WIRE DRESS OPTION 0

DRAWING NUMBER
12642694

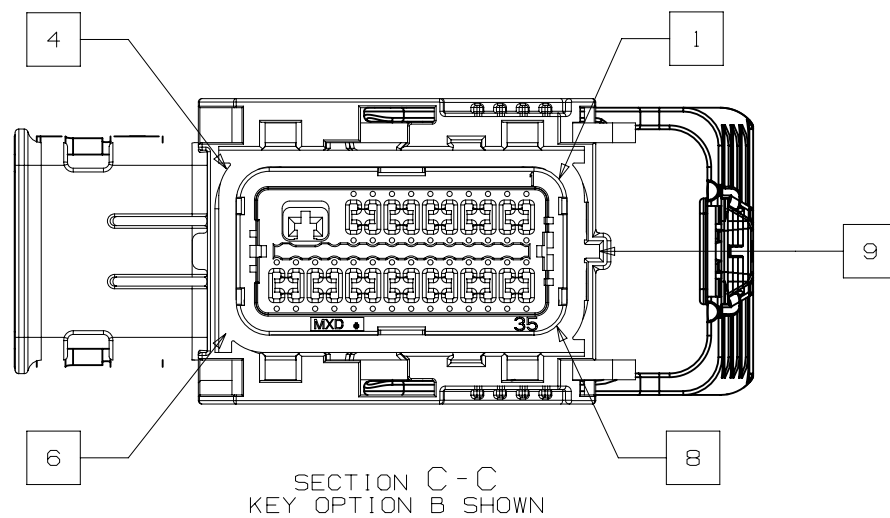
| DWG STATUS | | | PAGE NUMBER | |
|------------|-----|-----|-------------|-------|
| ST | REV | PD1 | 11 | OF 22 |
| R | 001 | | | |



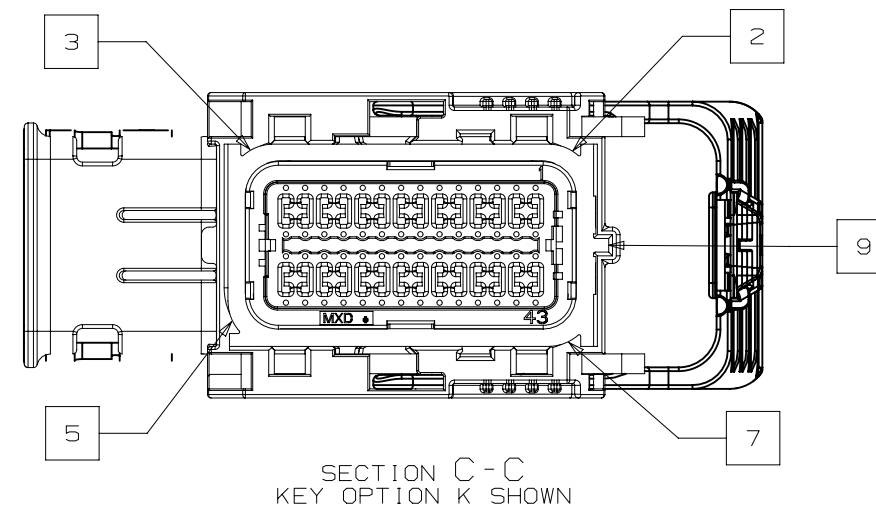
NOTE: REFERENCE THE COMPONENT TABLE FOR KEY OPTIONS AND CONFIGURATIONS



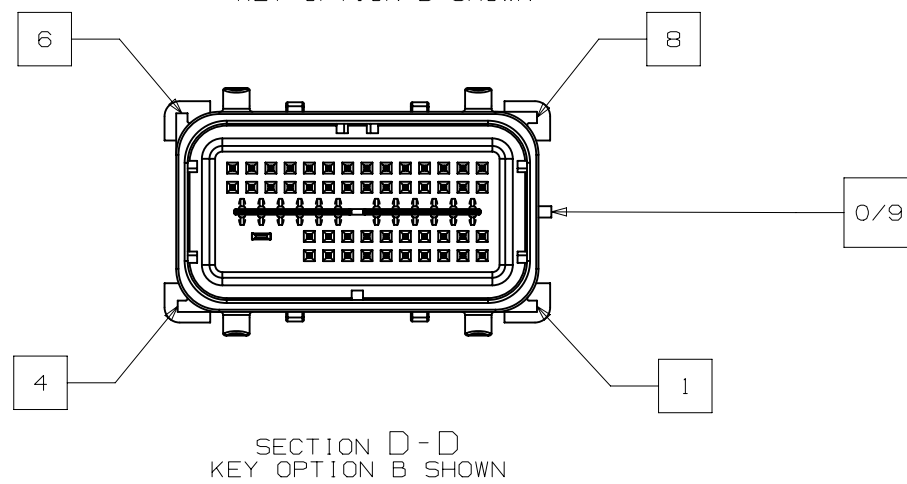
INTERFACE SIDE SHOWN ON ALL SECTION VIEWS



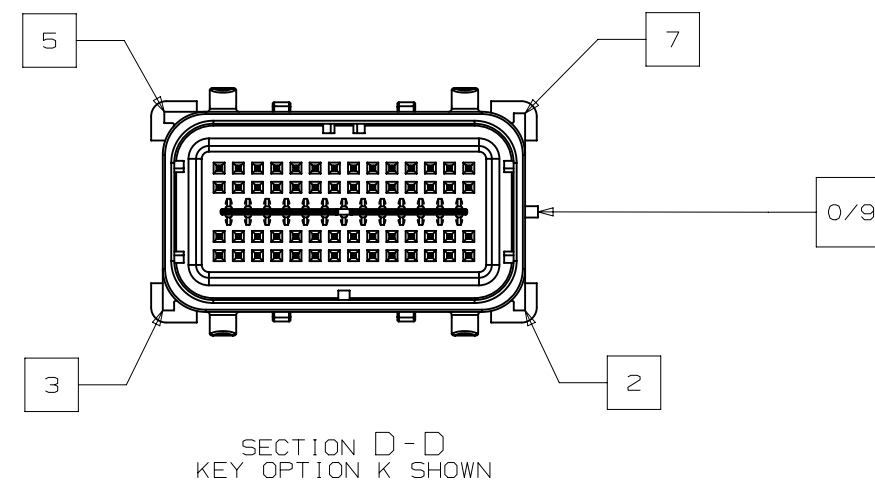
SECTION C-C
KEY OPTION B SHOWN



SECTION C-C
KEY OPTION K SHOWN



SECTION D-D
KEY OPTION B SHOWN



SECTION D-D
KEY OPTION K SHOWN

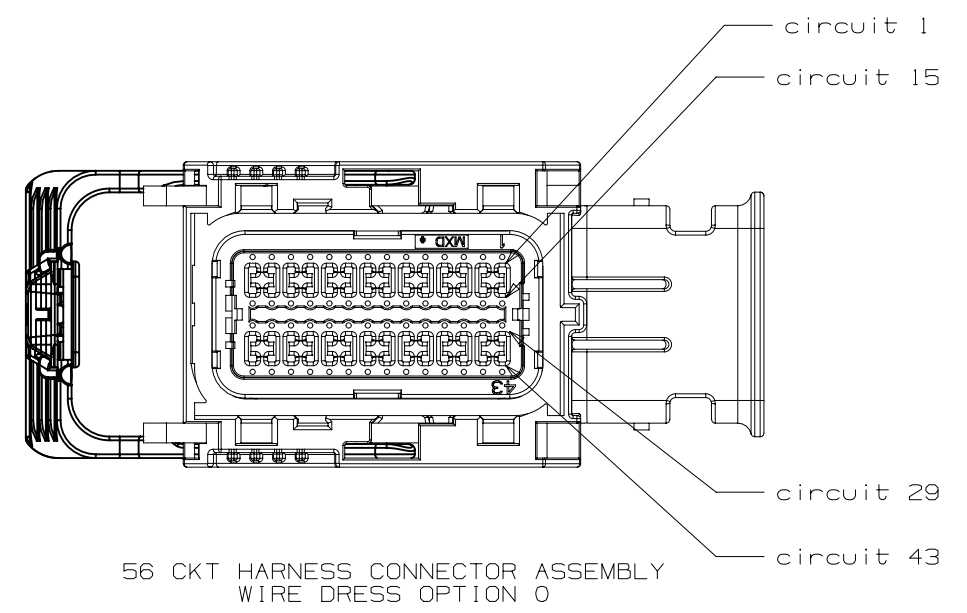
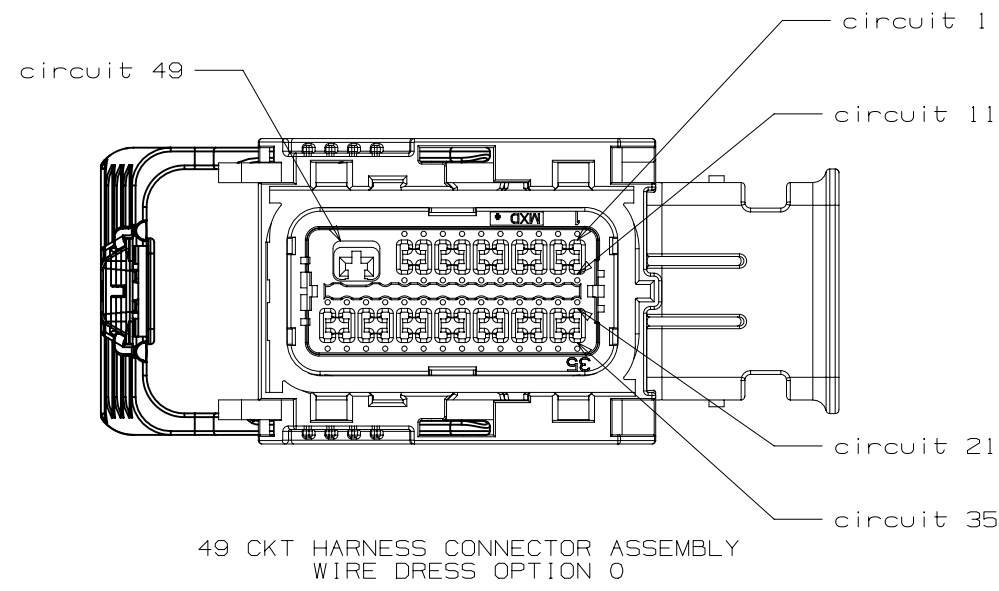


PAGE TITLE
KEY ID REF - WIRE DRESS OPTION 9

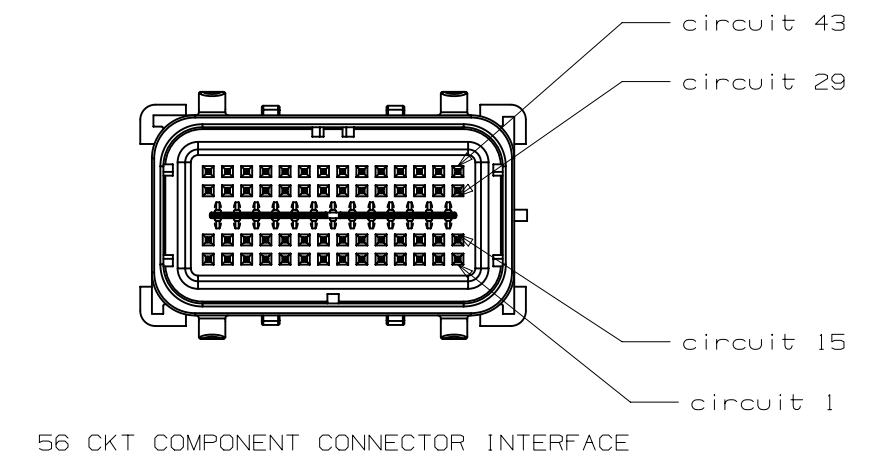
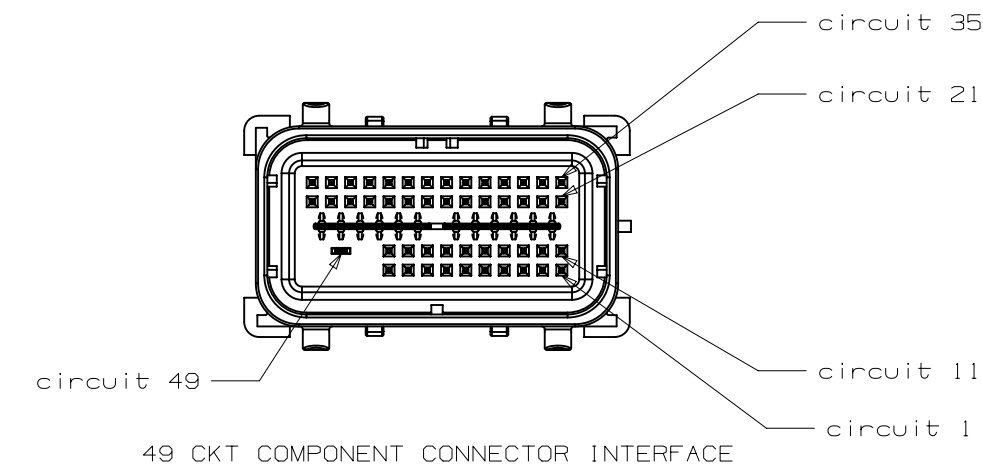
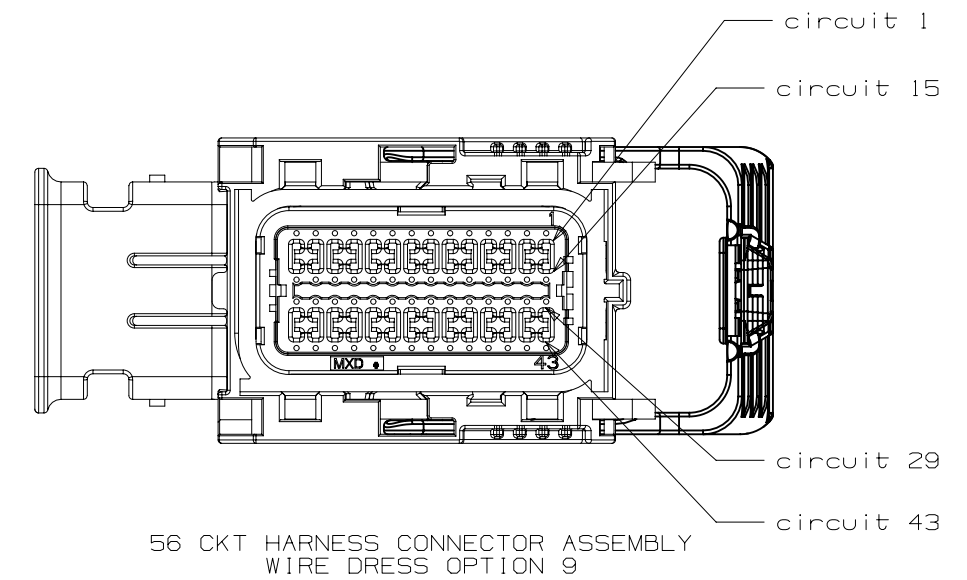
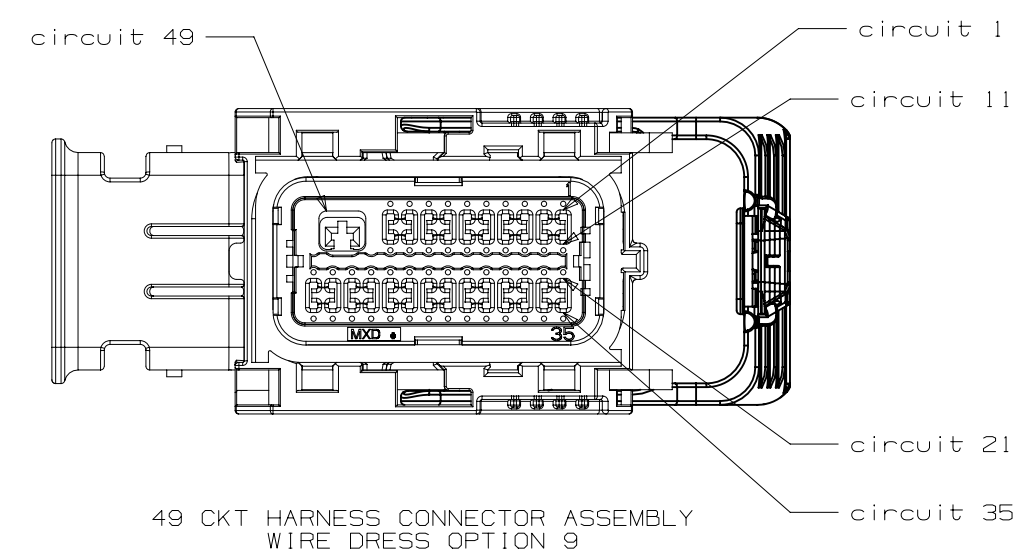
DRAWING NUMBER
12642694

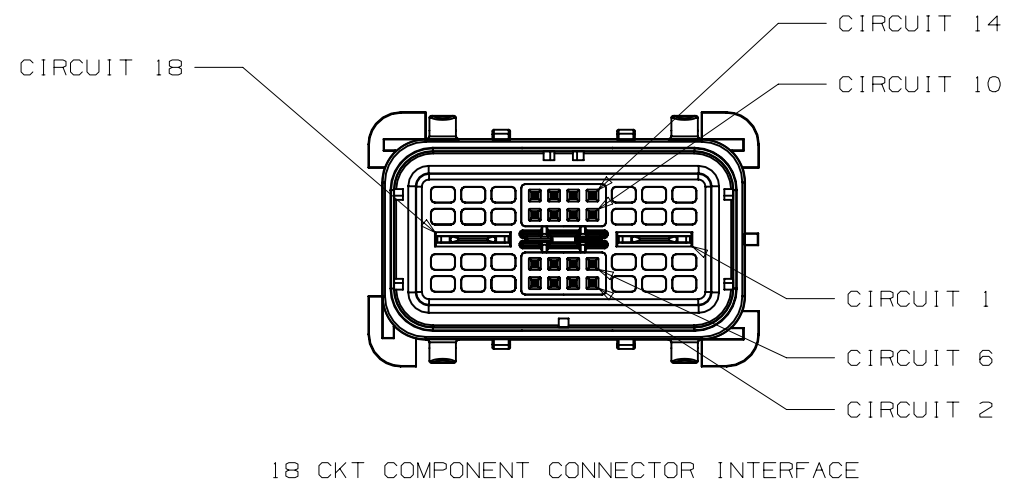
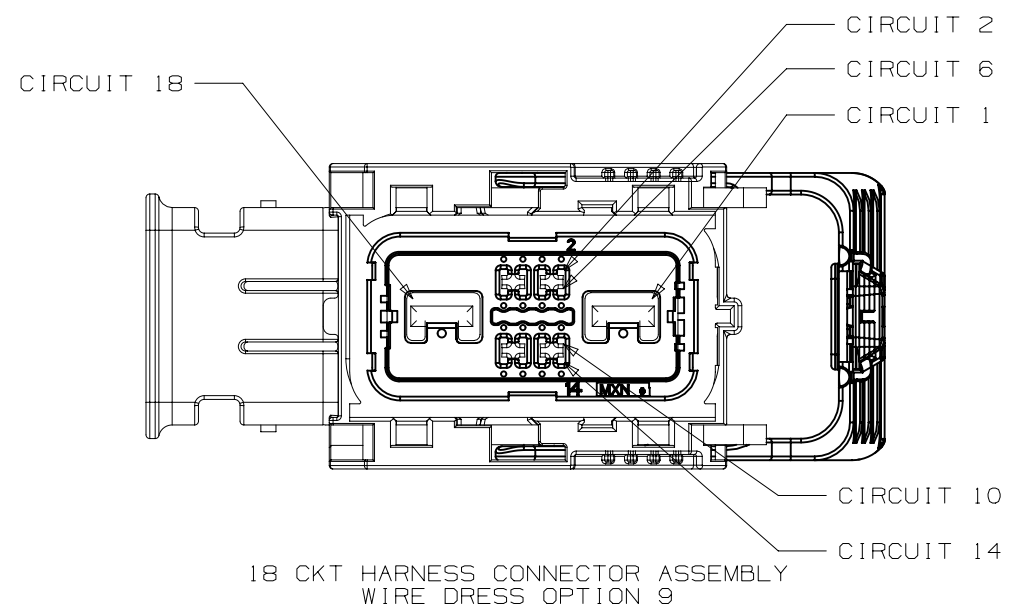
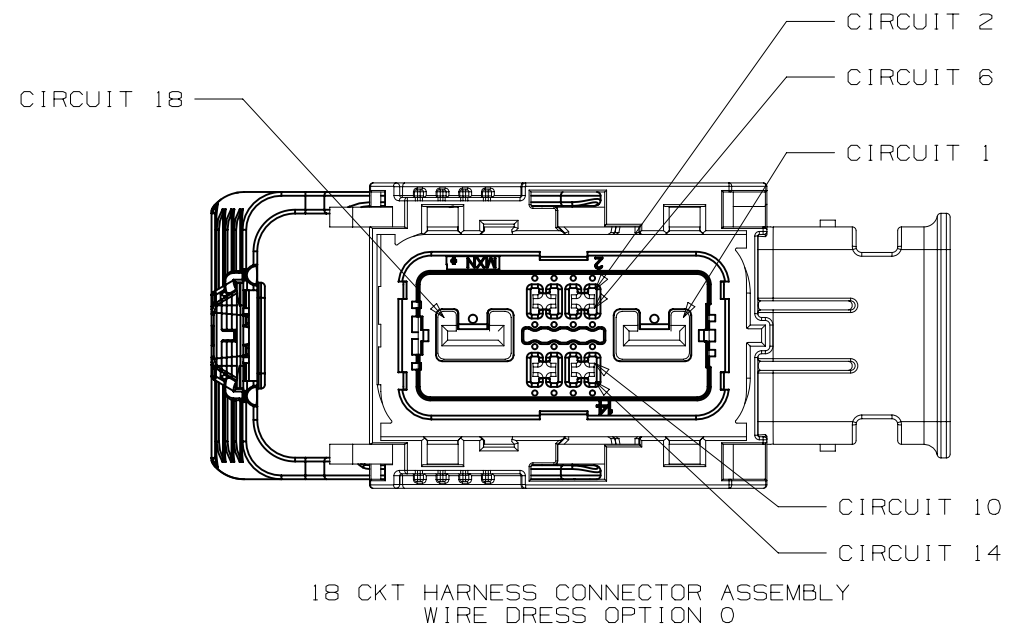
| DWG STATUS | | |
|------------|-----|-----|
| ST | REV | PD1 |
| R | 001 | |

PAGE NUMBER
12 OF 22



INTERFACE SIDE SHOWN ON ALL VIEWS





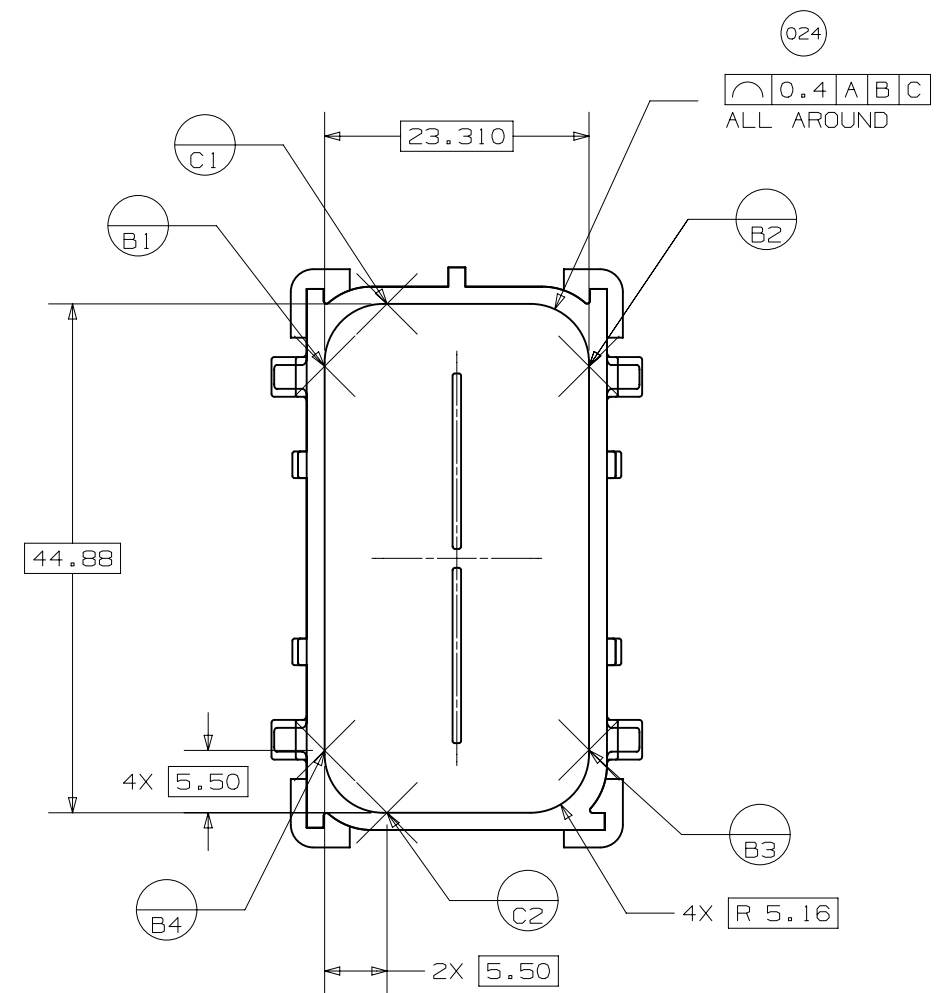
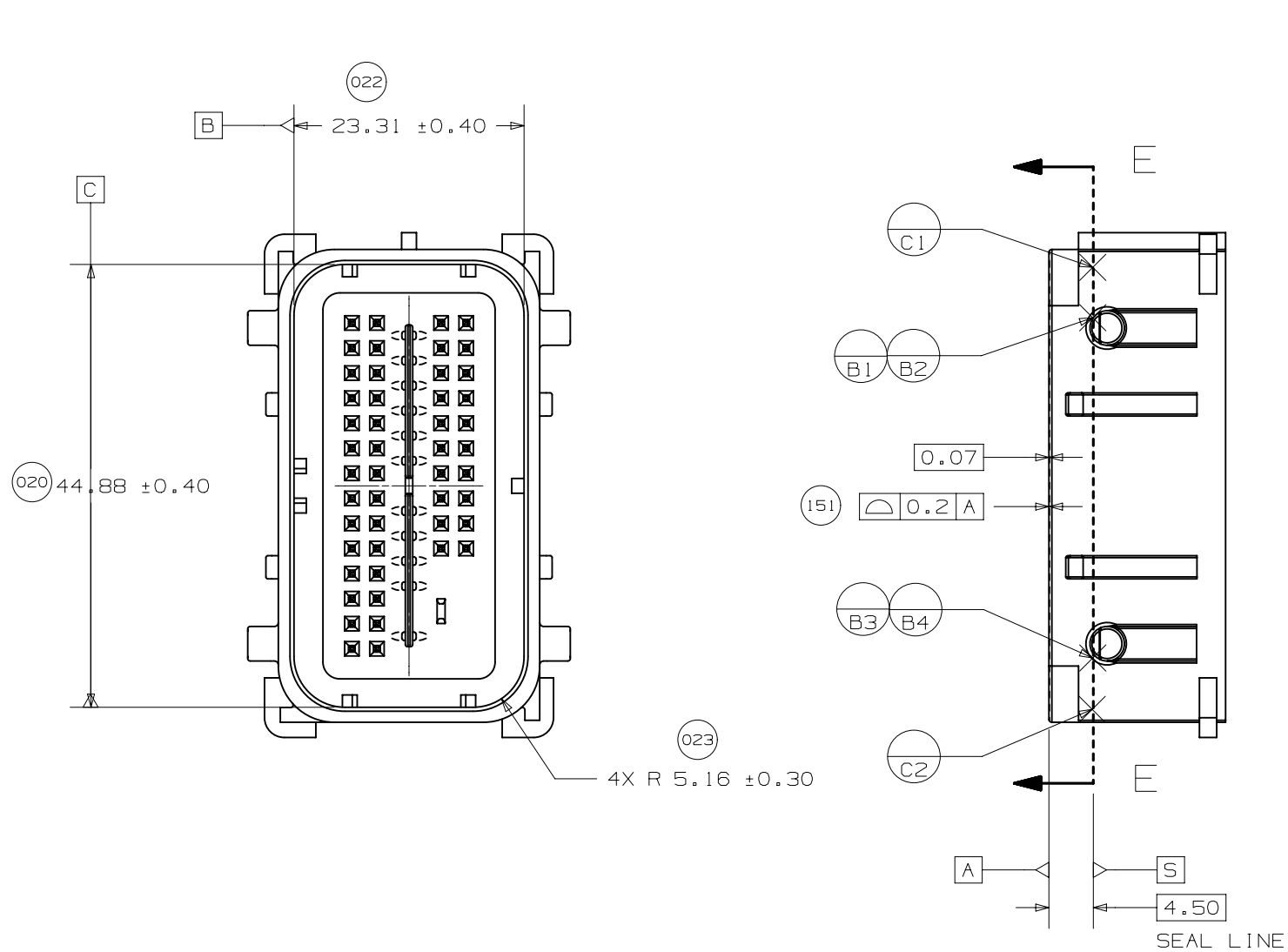
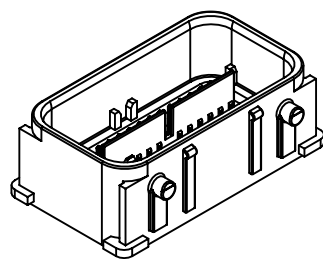
INTERFACE SIDE SHOWN ON ALL VIEWS



PAGE TITLE
CIRCUIT CONFIGURATIONS

DRAWING NUMBER
12642694

| DWG STATUS | | | PAGE NUMBER | |
|------------|-----|-----|-------------|-------|
| ST | REV | PDI | 14 | OF 22 |
| R | 001 | | | |



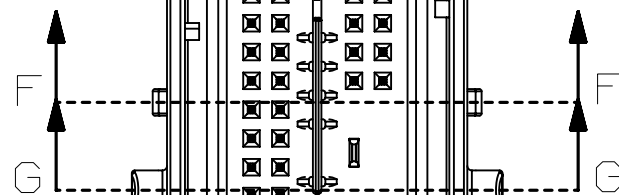
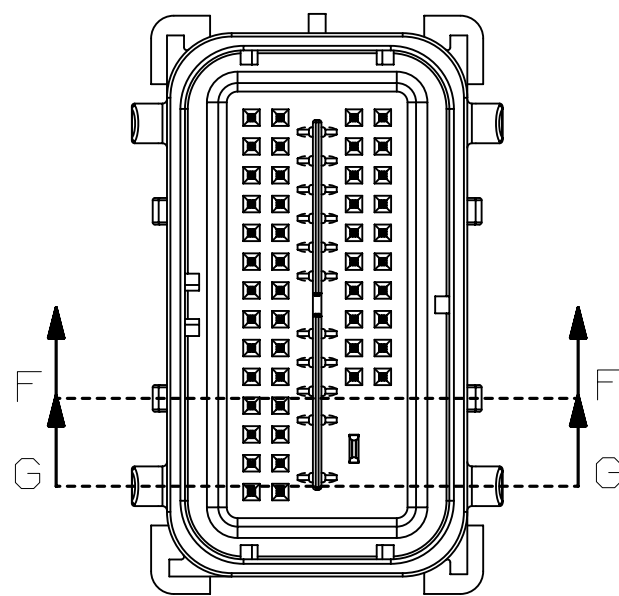
UNLESS SPECIFIED, TOLERANCE OF THE DEVICE INTERFACE TO BE $\nabla 0.13 \text{ A B C}$



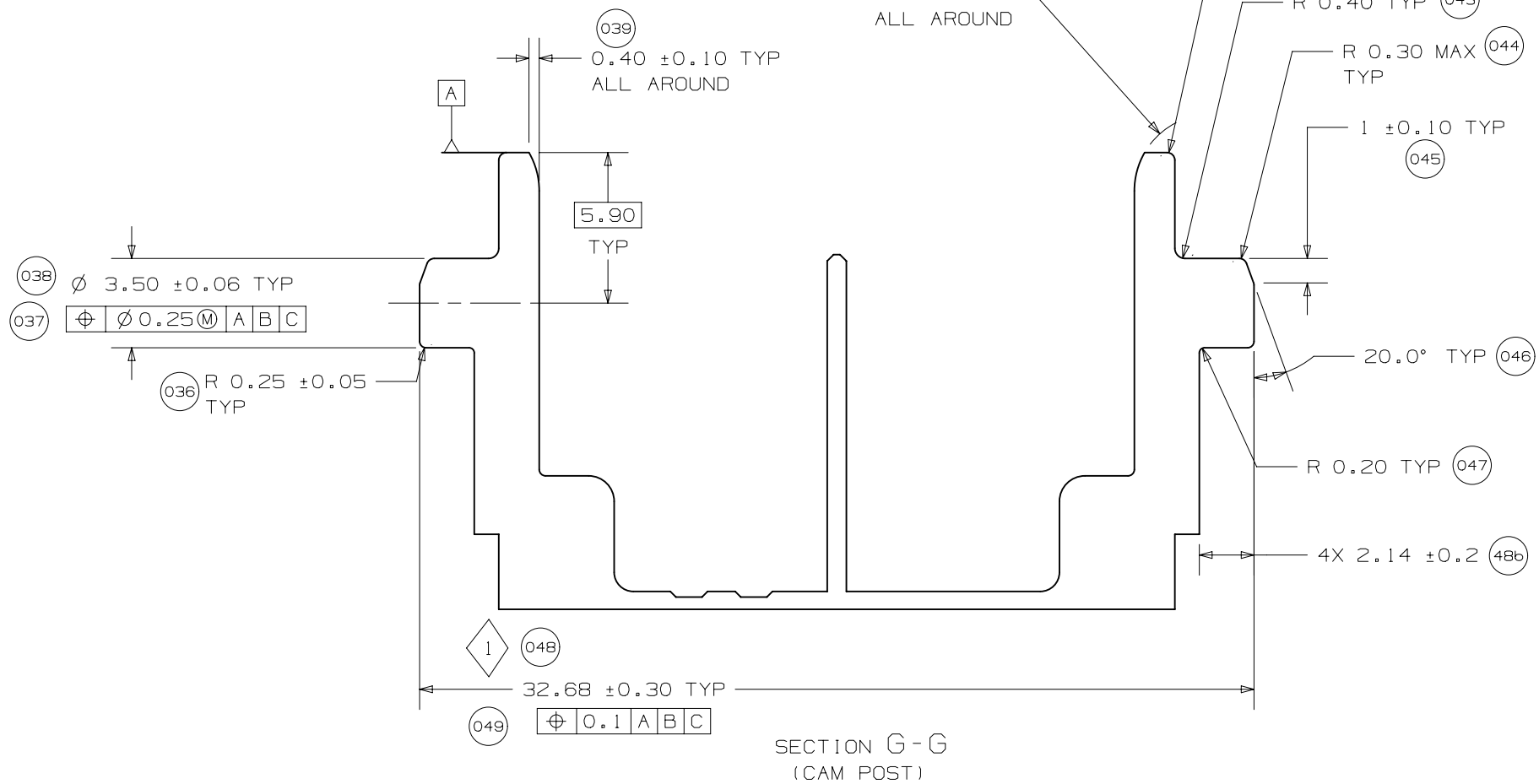
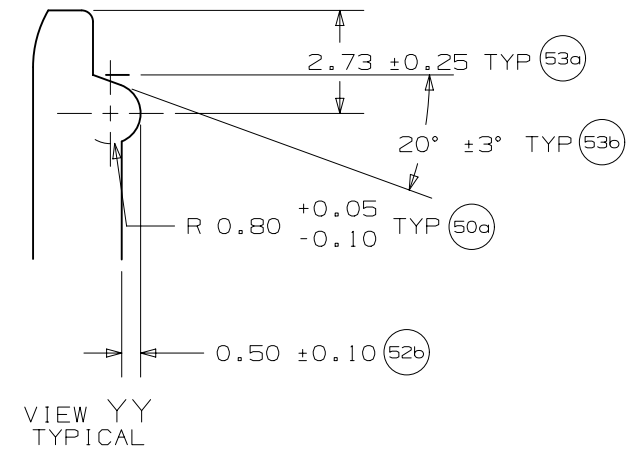
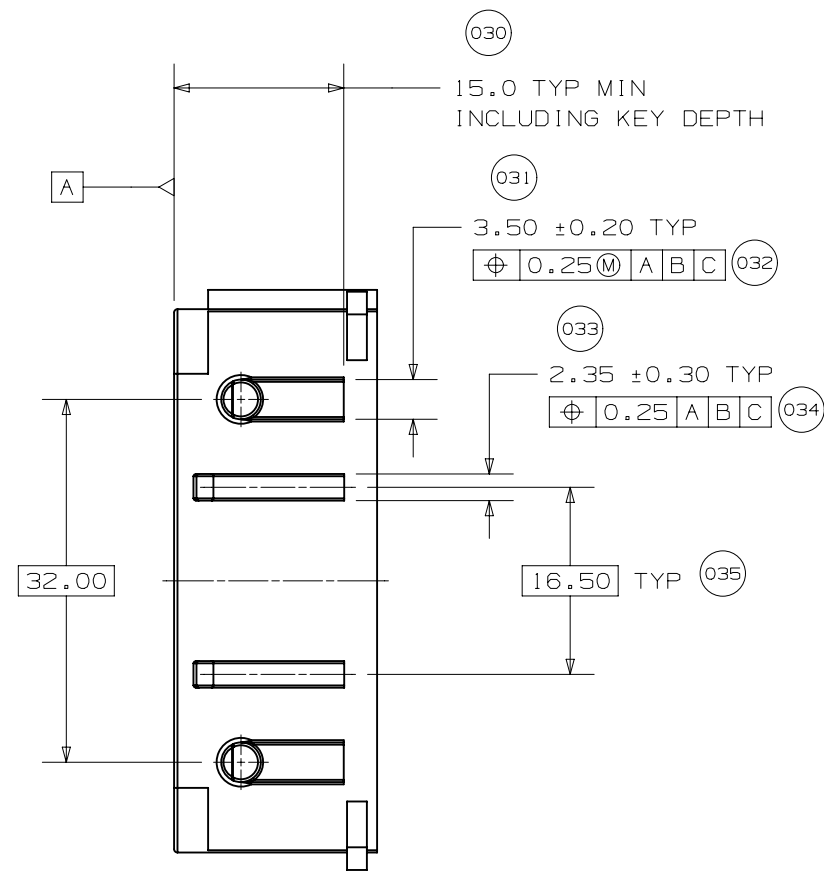
PAGE TITLE
COMPONENT CONNECTOR INTERFACE

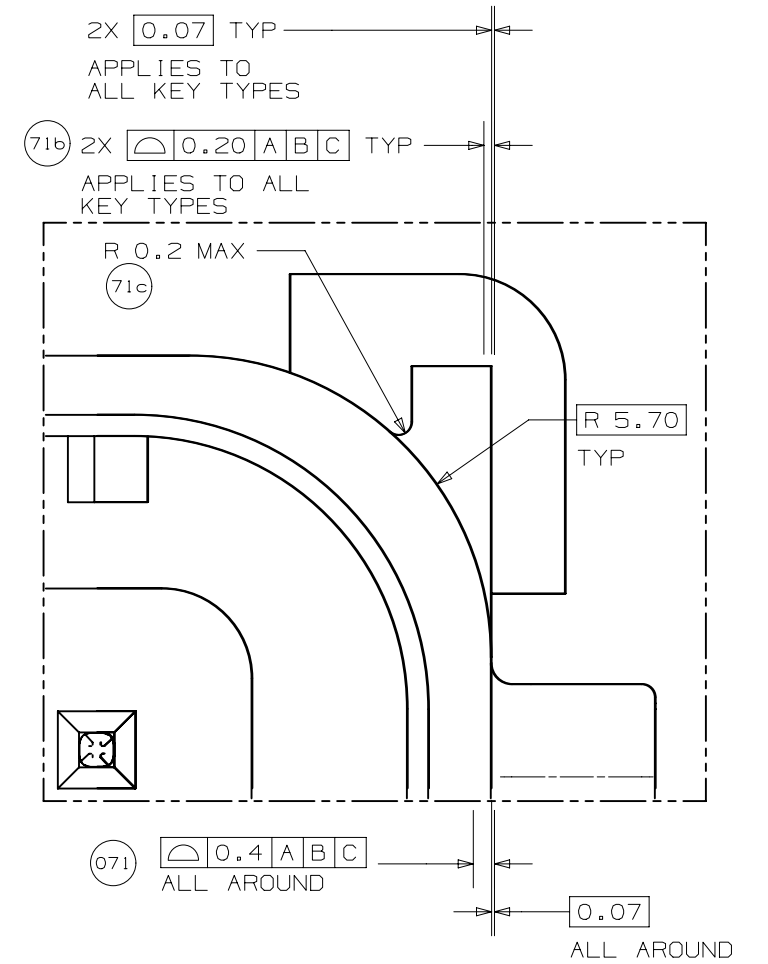
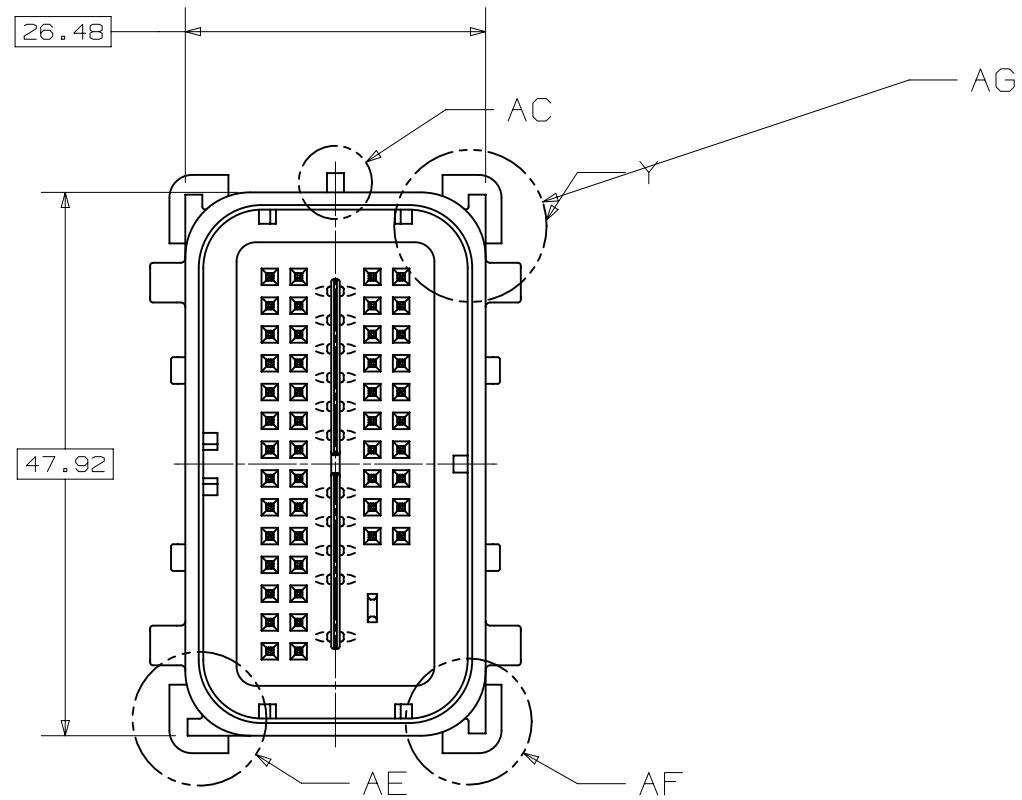
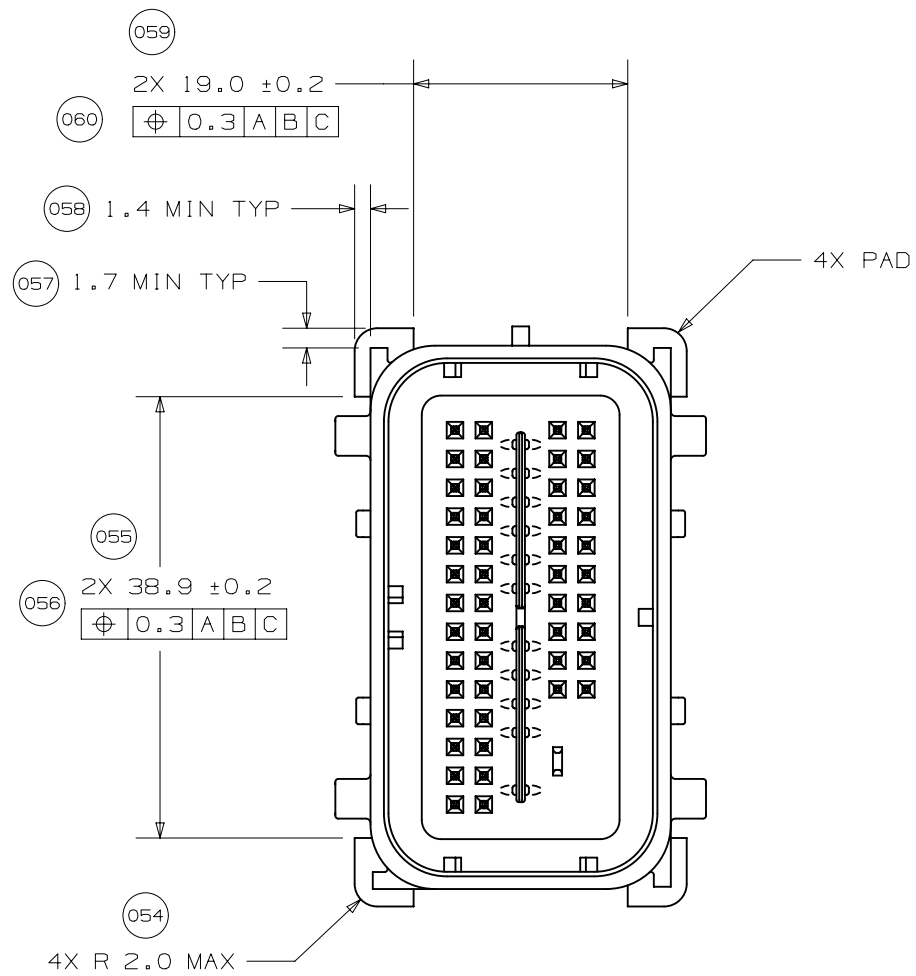
DRAWING NUMBER
12642694

| DWG STATUS | | | PAGE NUMBER |
|------------|-----|-----|-------------|
| ST | REV | PD1 | |
| R | 001 | | 15 of 22 |

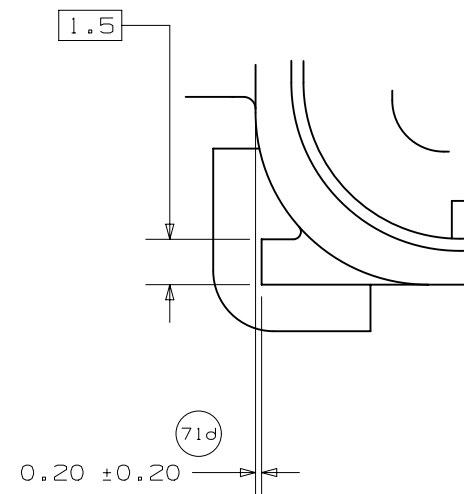
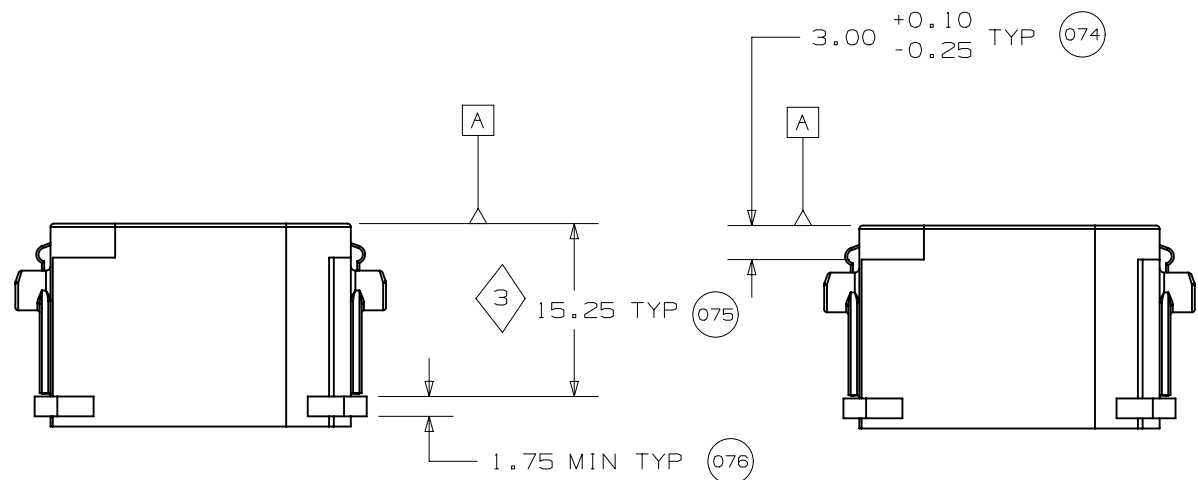


SECTION F - F
(RELEASE FEATURE)

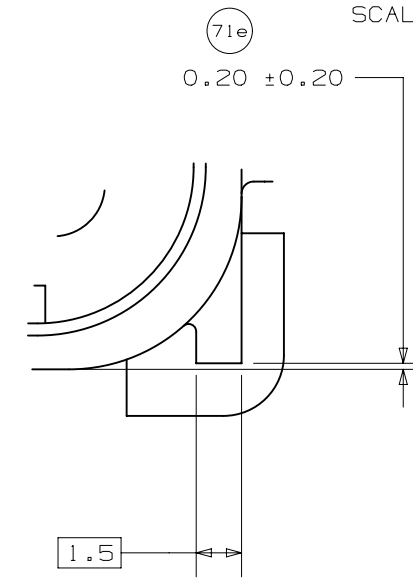




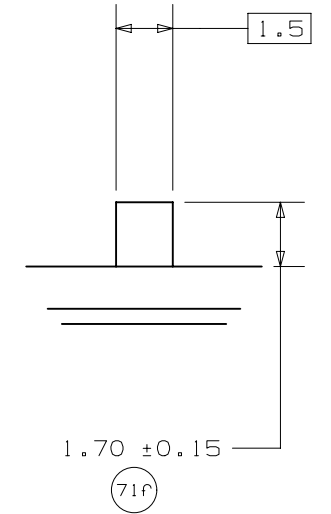
DETAIL Y
 SCALE 7:1



VIEW AE
 KEY TYPE 2



VIEW AF
 KEY TYPE 1



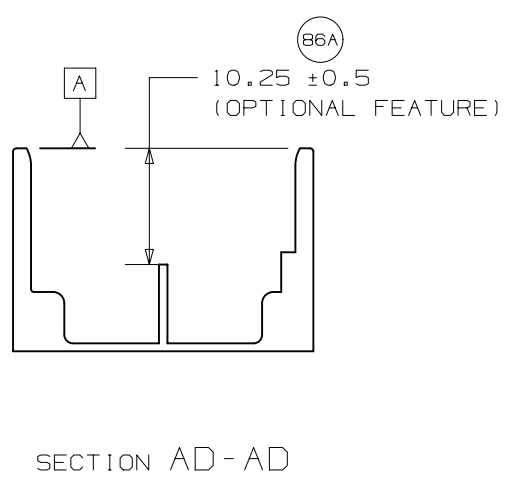
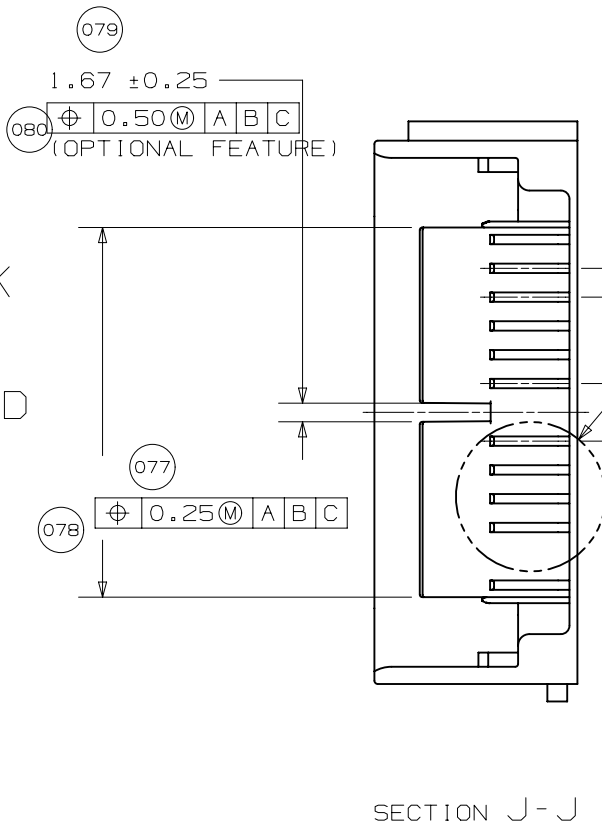
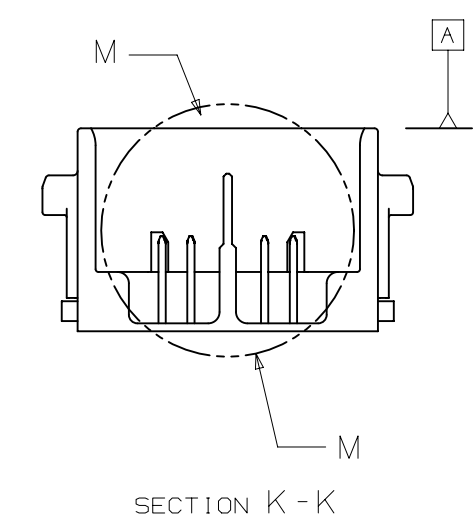
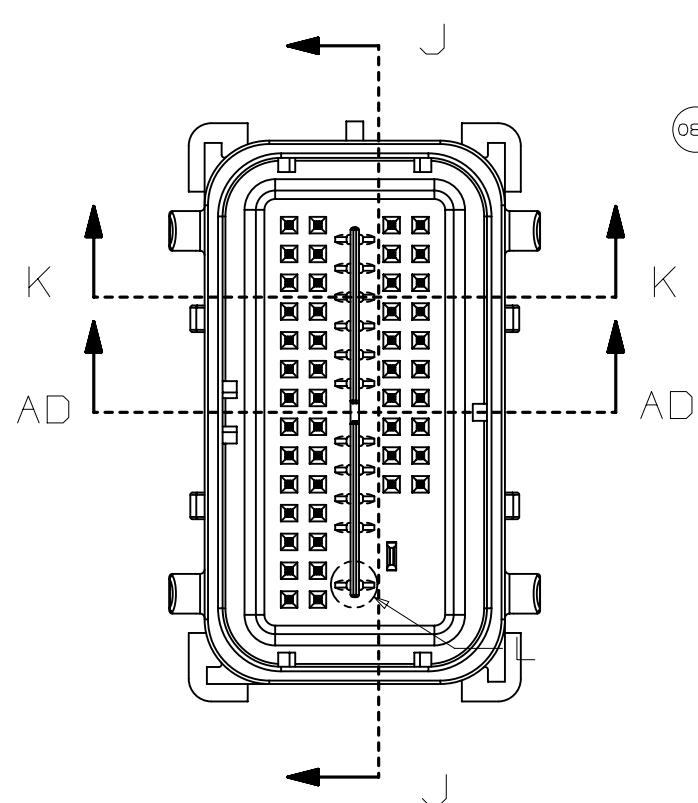
VIEW AC
 KEY TYPE 3



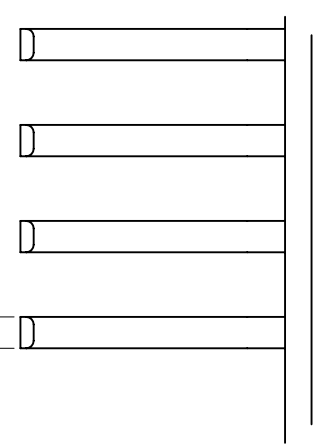
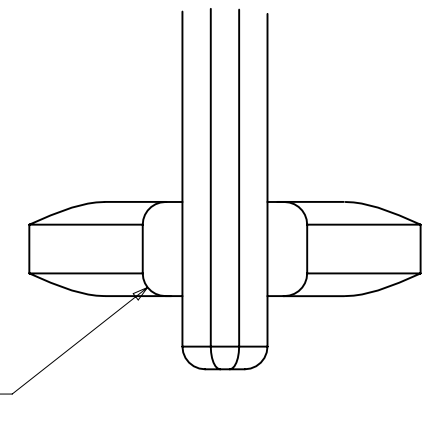
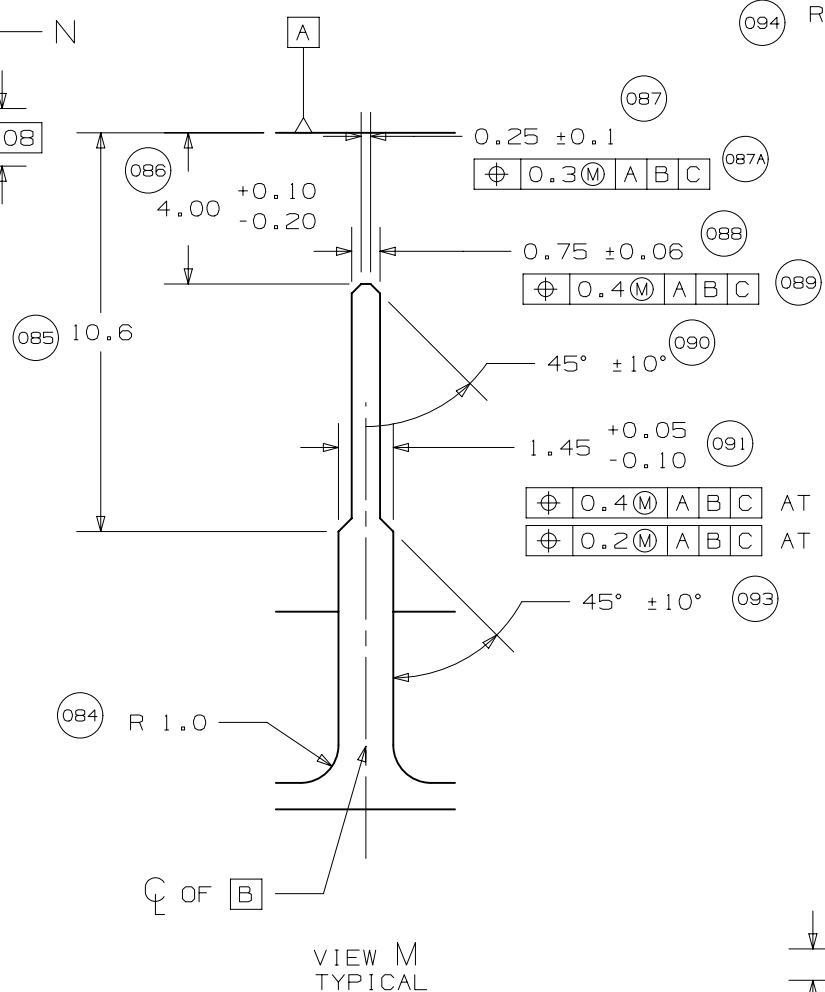
PAGE TITLE
 COMPONENT CONNECTOR INTERFACE

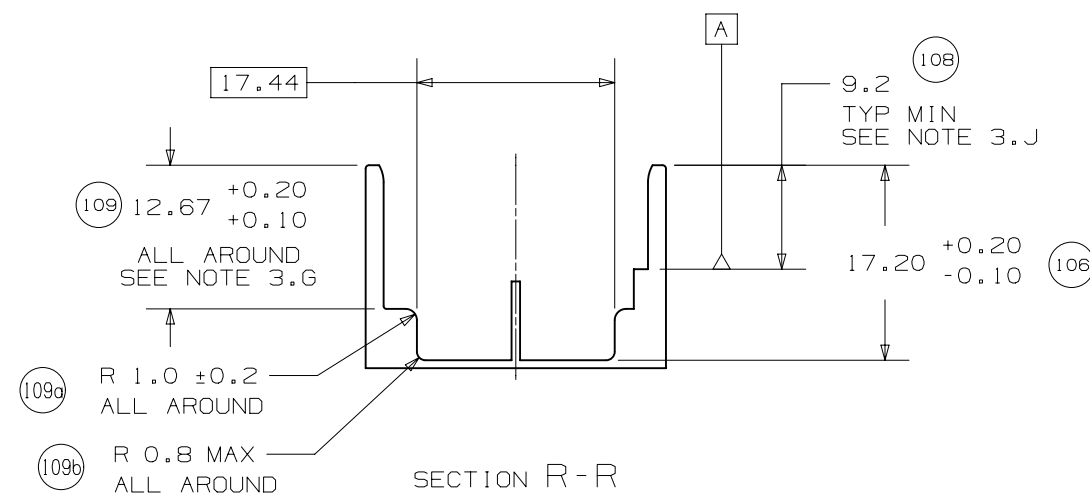
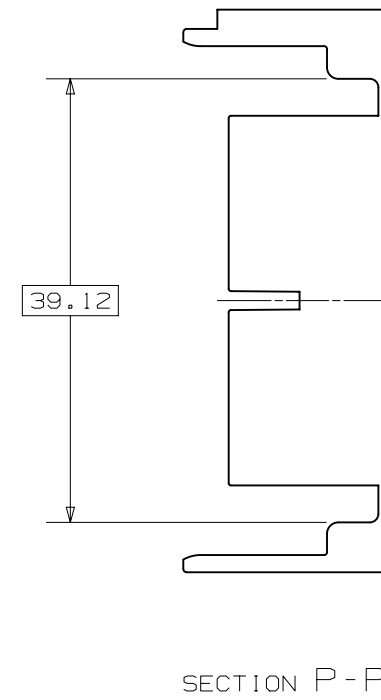
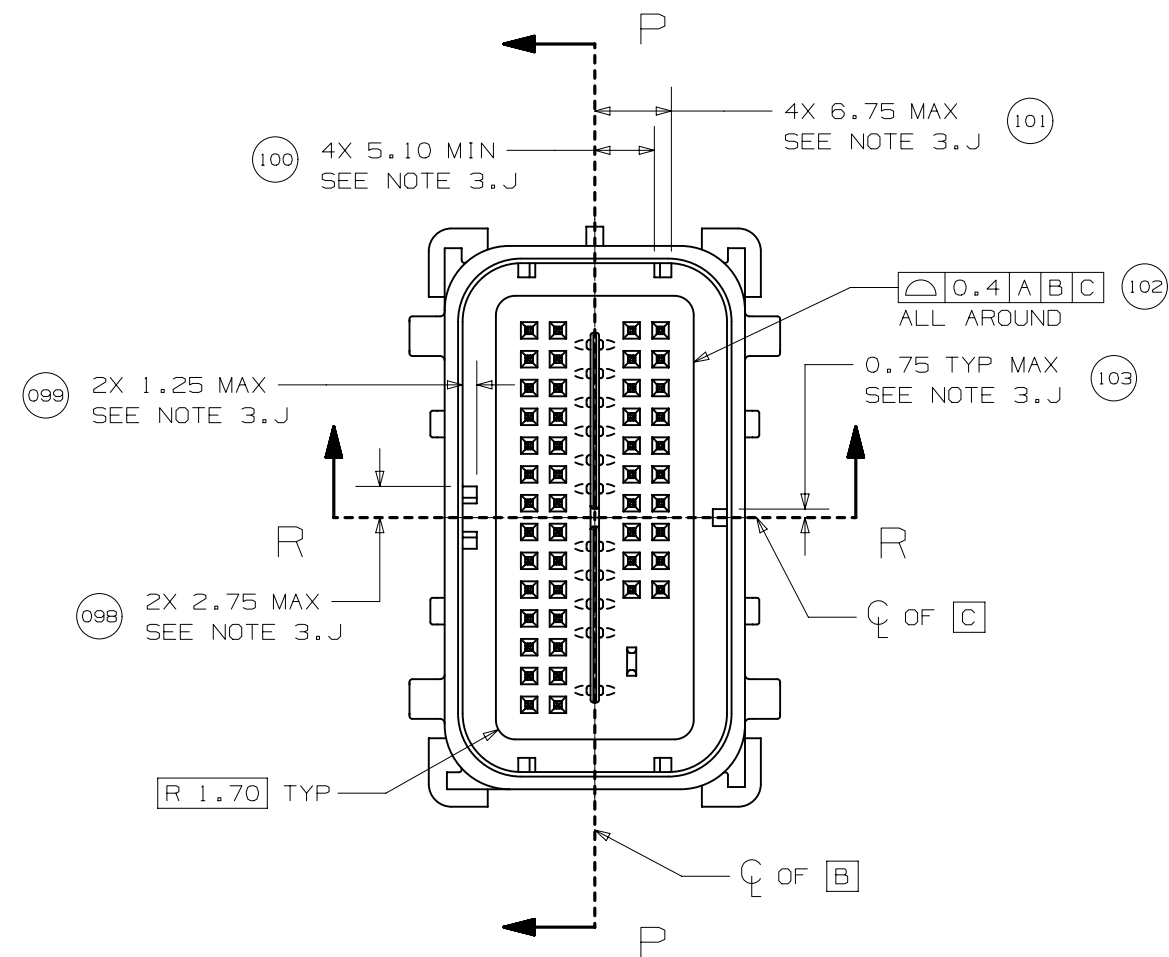
DRAWING NUMBER
 12642694

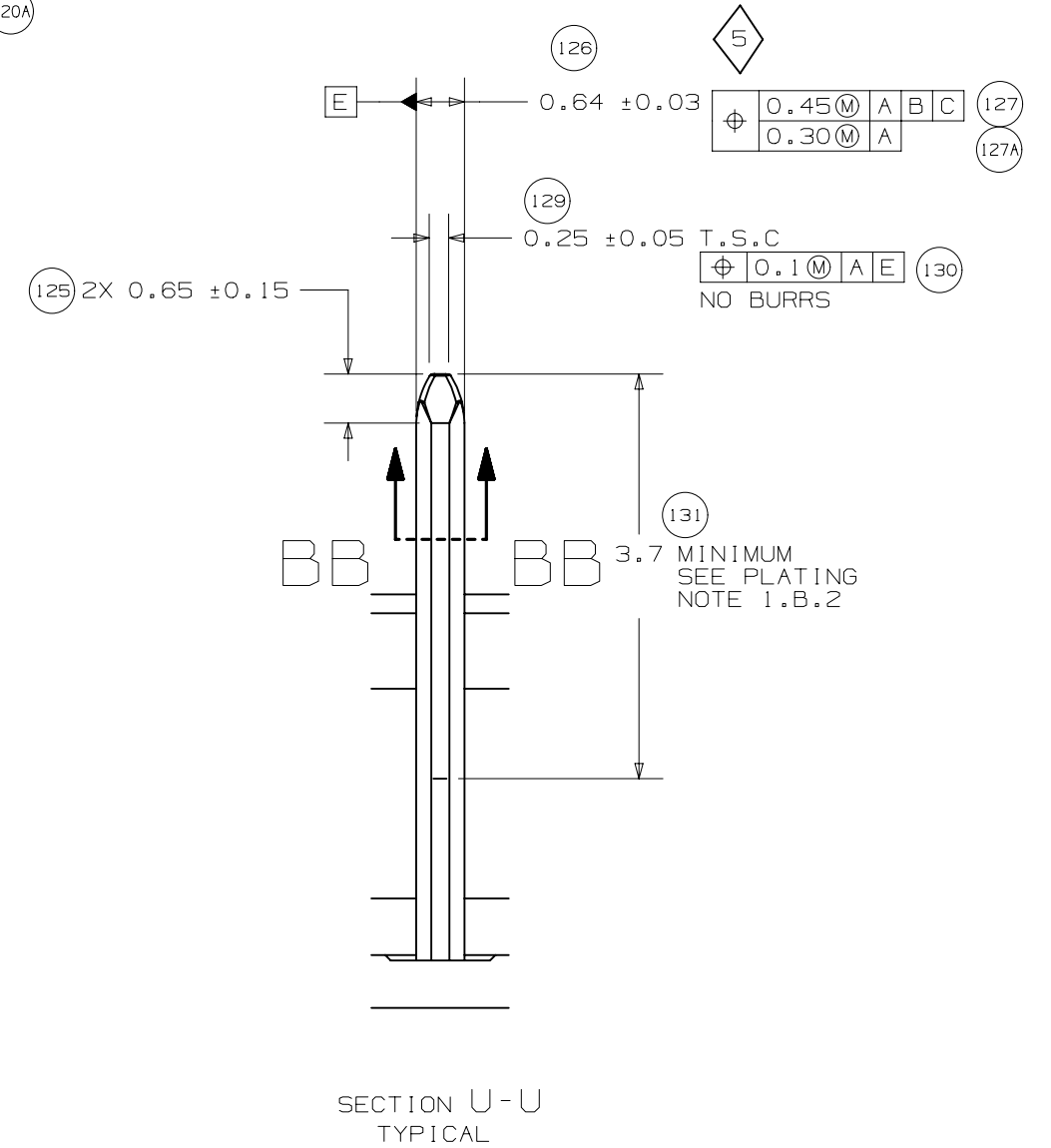
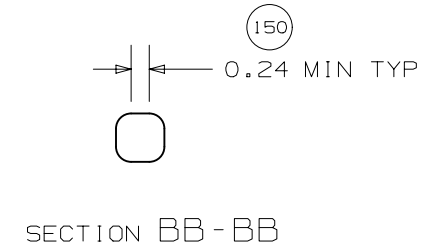
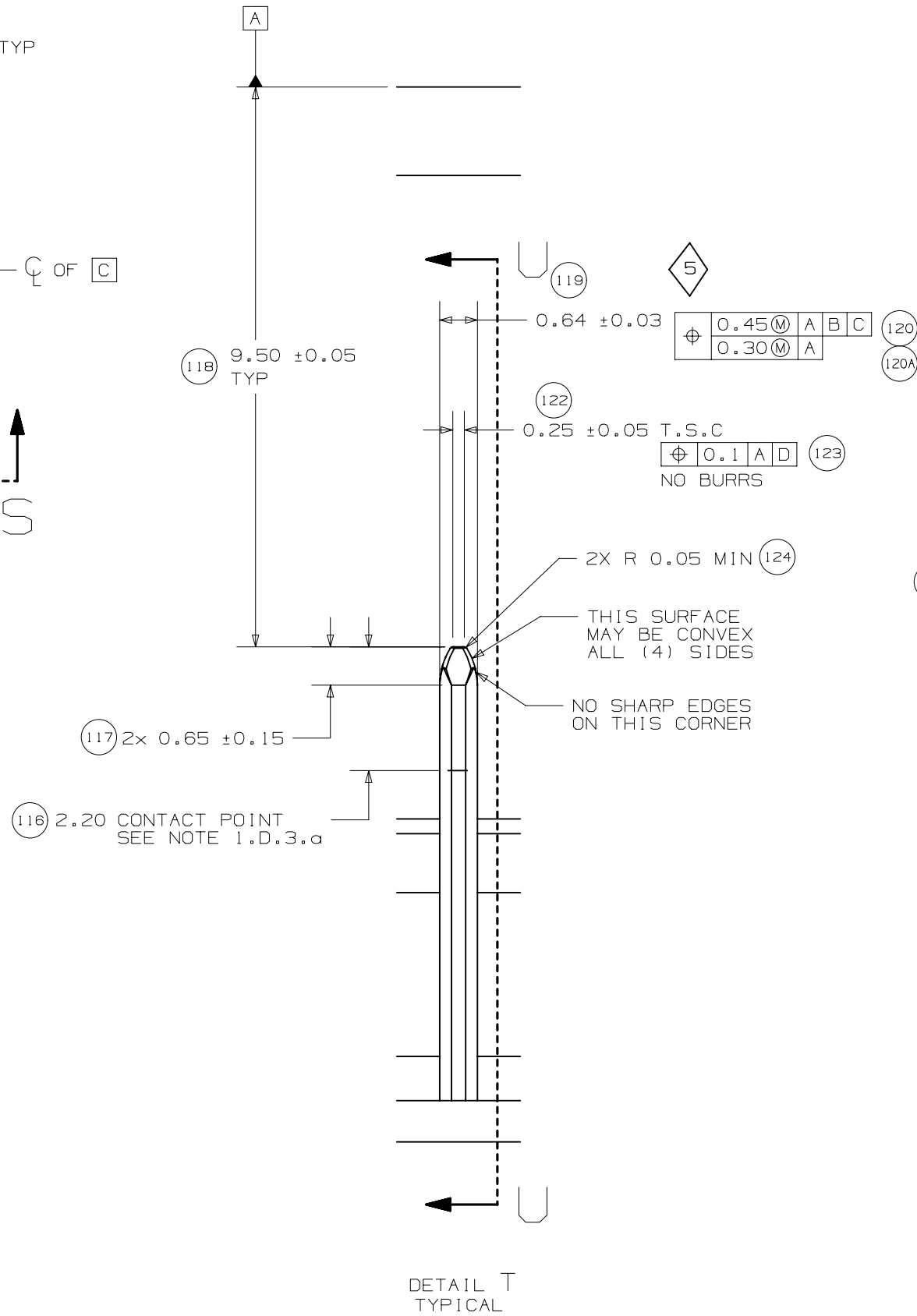
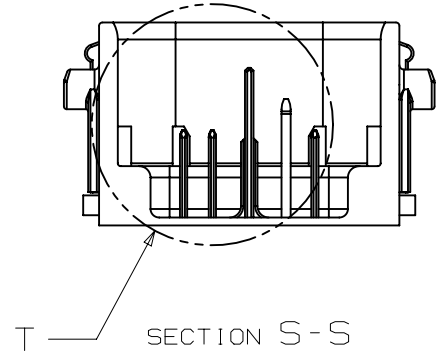
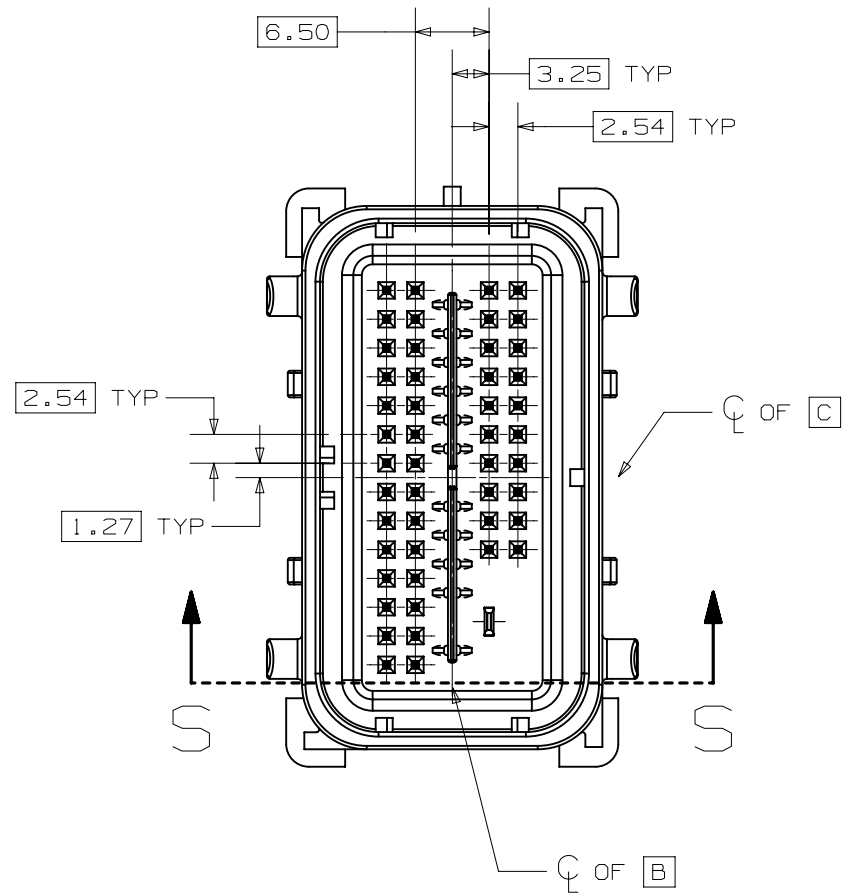
| DWG STATUS | | | PAGE NUMBER |
|------------|-----|-----|-------------|
| ST | REV | PD1 | |
| R | 001 | | 17 OF 22 |

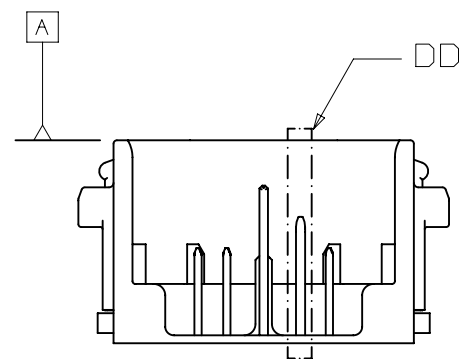
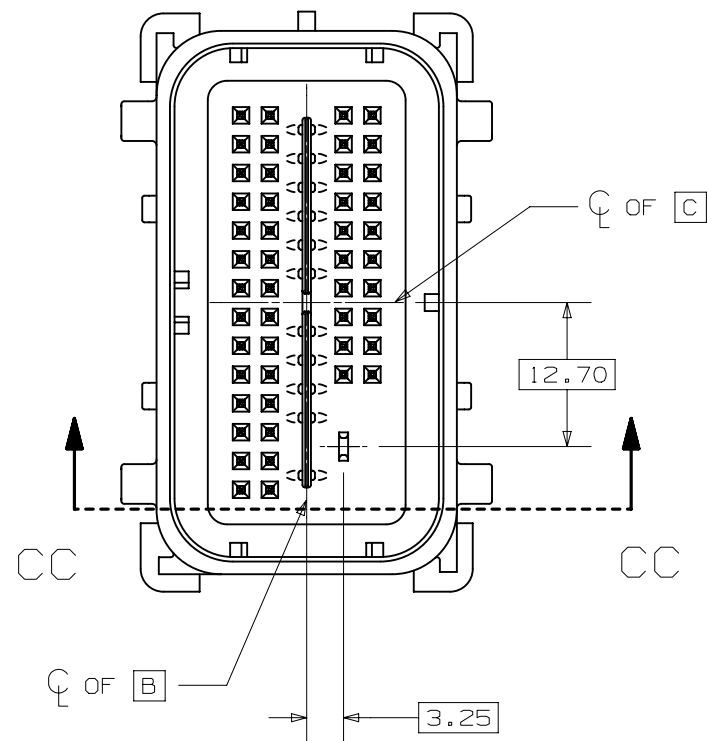


| CKT | DIM 077 |
|-------------|-------------------|
| 49 / 56 CKT | 32.60 +0.10/-0.80 |
| 18 CKT | 10.04 +0.10/-0.80 |

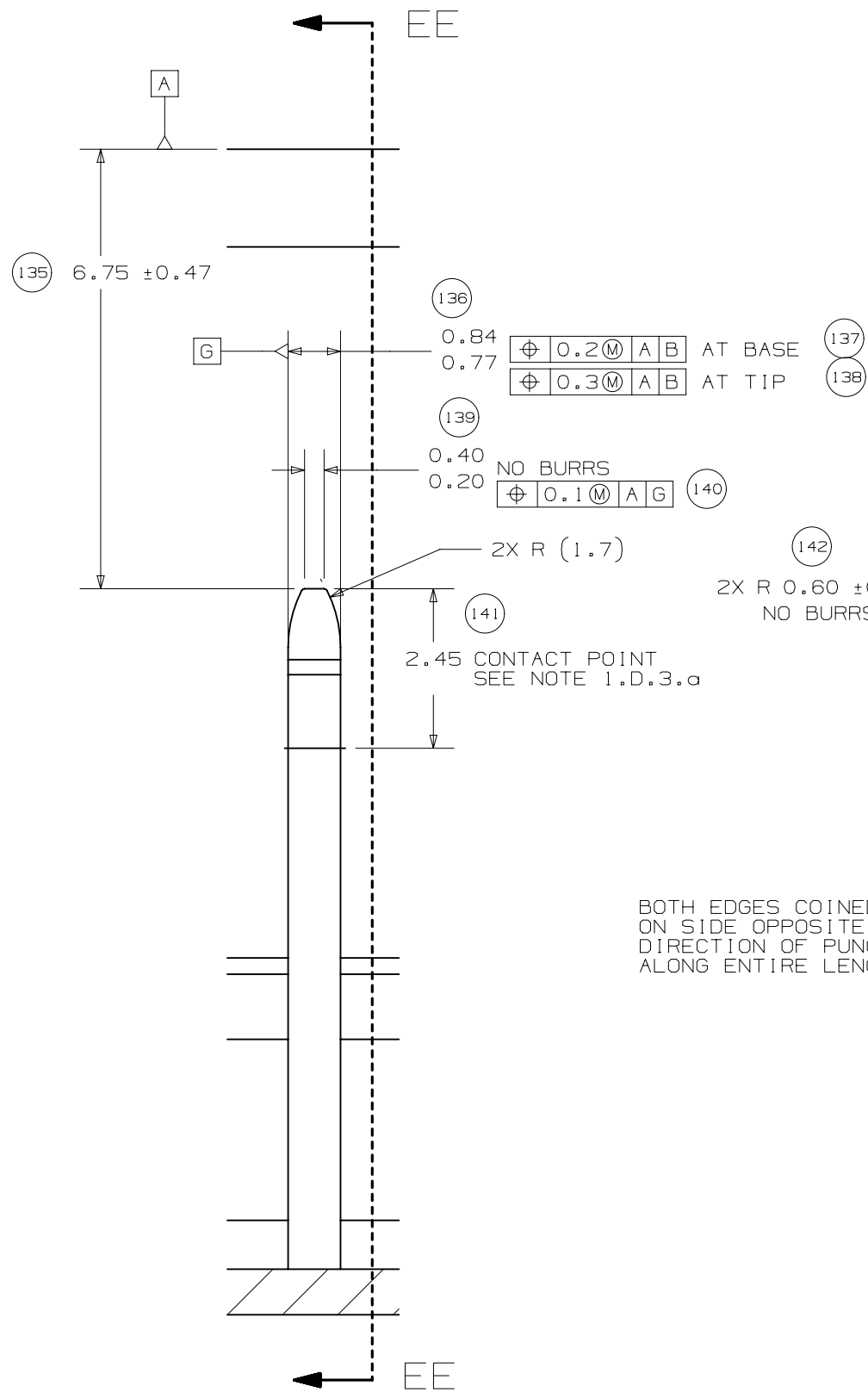




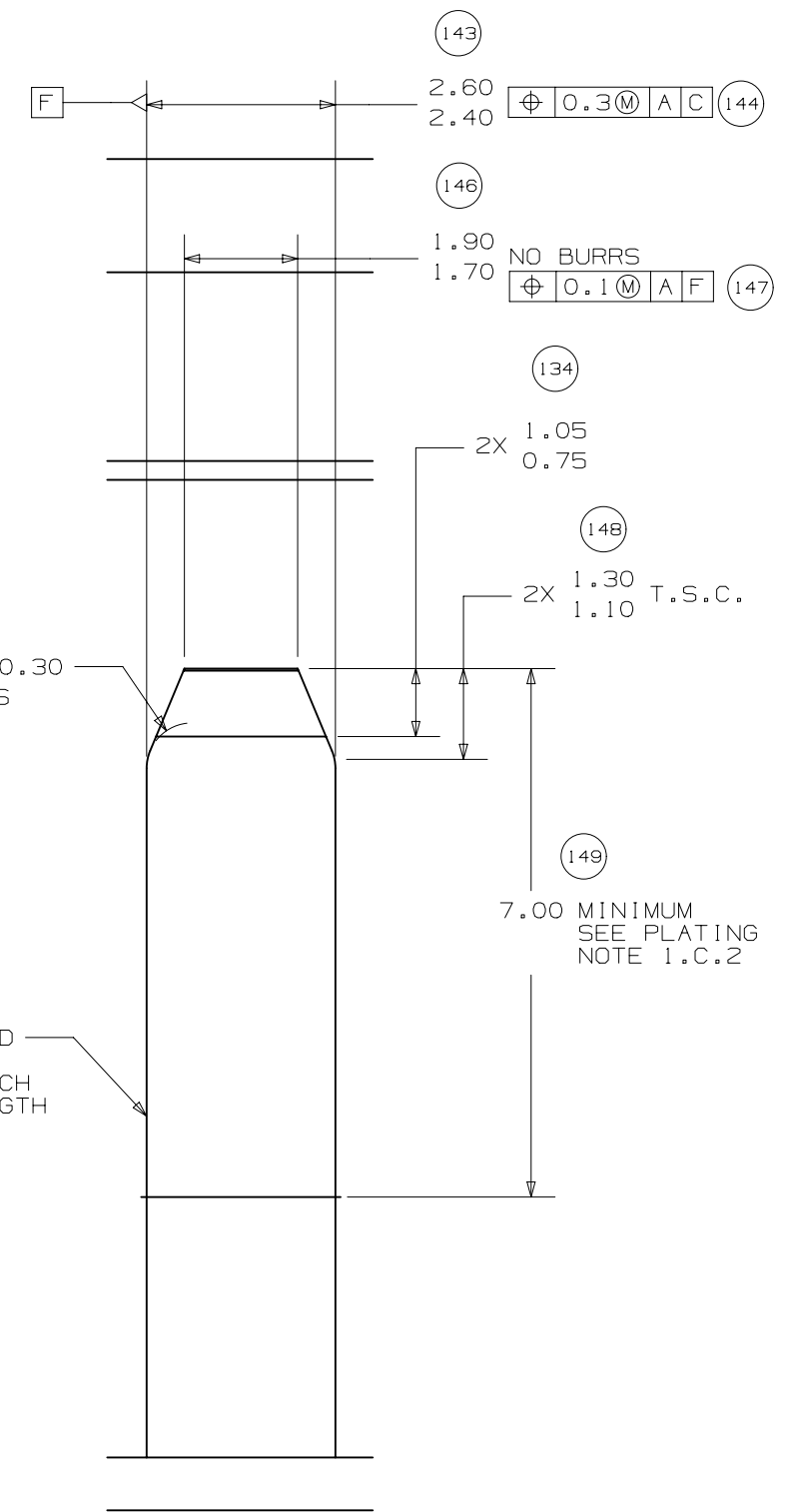




SECTION CC-CC



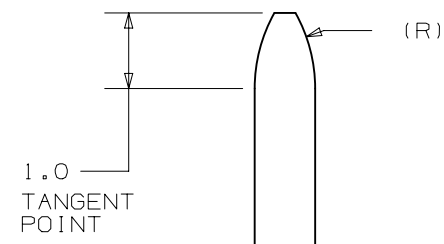
DETAIL DD
TYPICAL



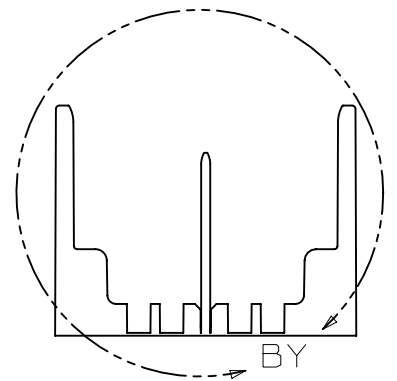
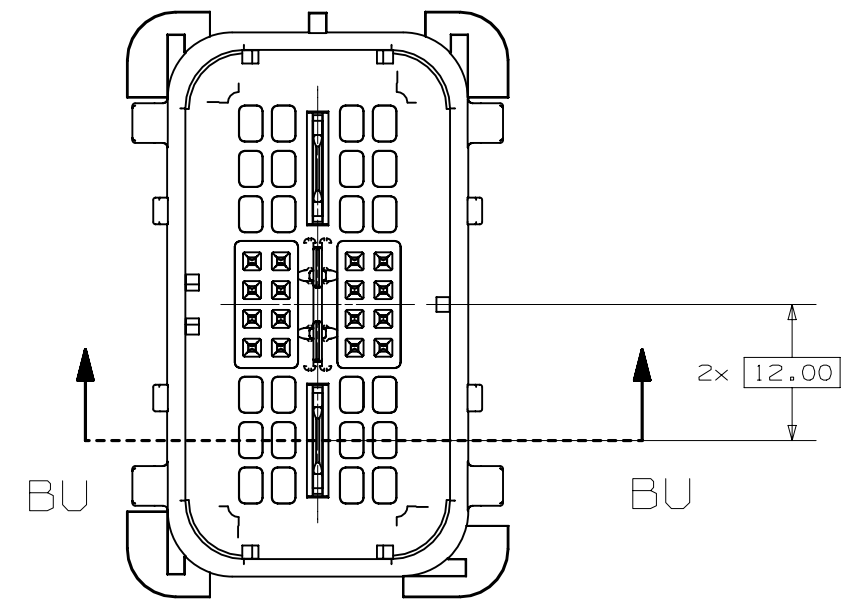
SECTION EE-EE
TYPICAL

BOTH EDGES COINED
ON SIDE OPPOSITE
DIRECTION OF PUNCH
ALONG ENTIRE LENGTH

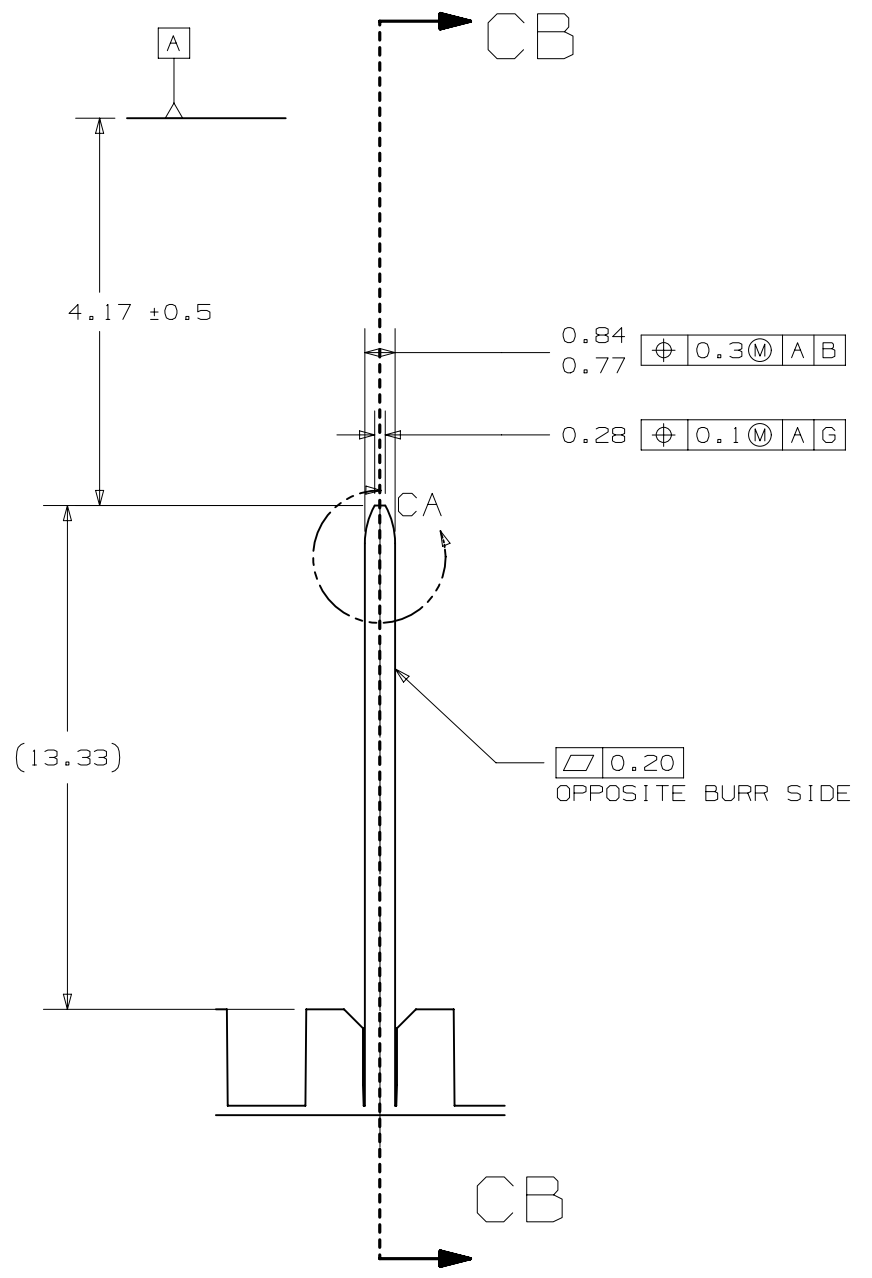




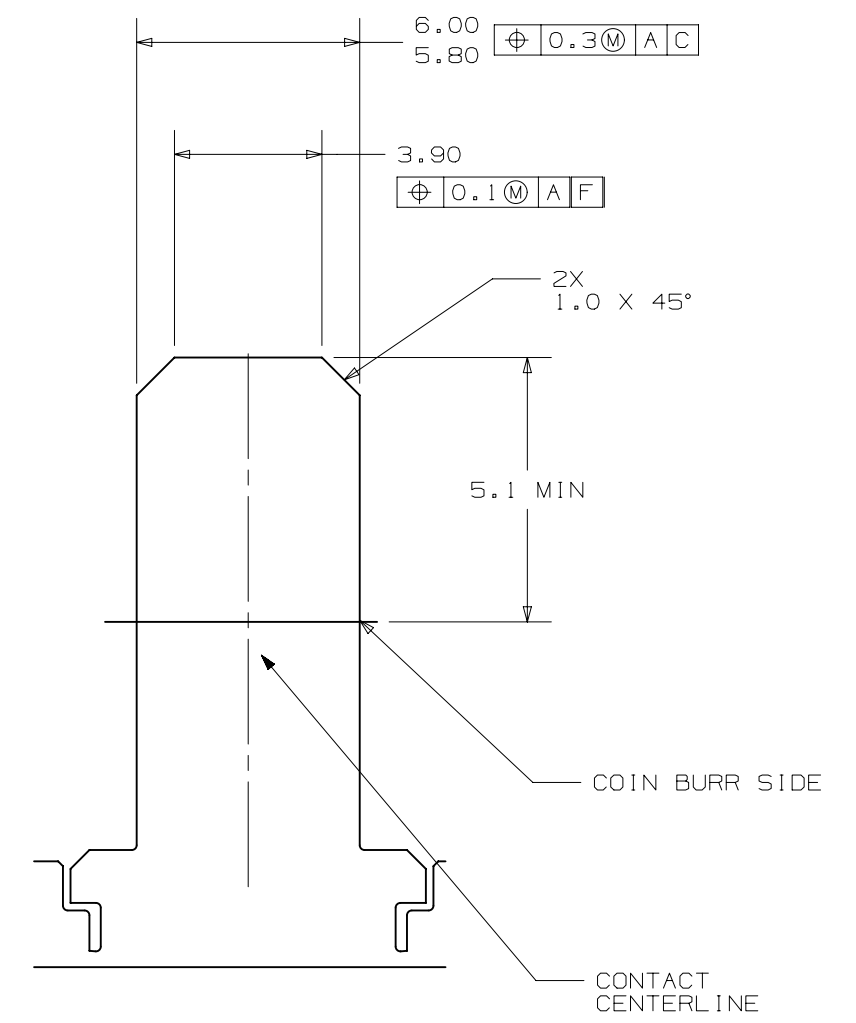
VIEW CA
SCALE 10:1



SECTION BU-BU

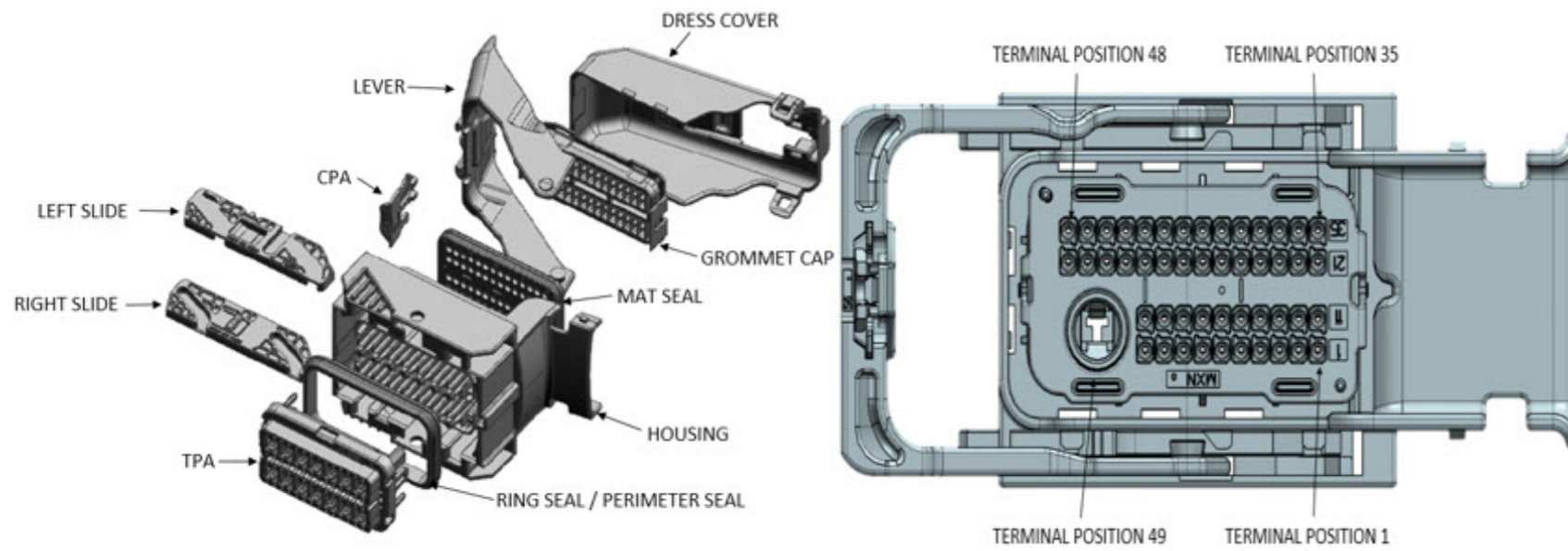


VIEW BY
SCALE 5:1



SECTION CB-CB

| | | | | | | | |
|-----------|-------------------------------|----------------|------------|----|-----|-------------|----------|
| GM | PAGE TITLE | DRAWING NUMBER | DWG STATUS | | | PAGE NUMBER | |
| | COMPONENT CONNECTOR INTERFACE | | 12642694 | ST | REV | PDI | 22 of 22 |
| | | | | R | 001 | | |



| ABBREVIATION | DESCRIPTION | COLOR | MATERIAL |
|--------------|--|------------|---------------------------------------|
| G-CAP-0-P | GROMMET CAP OPTION 0 PLUGGED | BLACK | SPS/PA, G.F.30% |
| G-CAP-0-O | GROMMET CAP OPTION 0 ALL OPEN | BLACK | SPS/PA, G.F.30% |
| G-CAP-9-P | GROMMET CAP OPTION 9 PLUGGED | BLACK | SPS/PA, G.F.30% |
| G-CAP-9-O | GROMMET CAP OPTION 9 ALL OPEN | BLACK | SPS/PA, G.F.30% |
| C-HSG-A0 | CONNECTOR HOUSING KEY A - WDC OPT 0 | BLACK | SPS/PA, G.F.30% |
| C-HSG-B0 | CONNECTOR HOUSING KEY B - WDC OPT 0 | BLACK | SPS/PA, G.F.30% |
| C-HSG-C0 | CONNECTOR HOUSING KEY C - WDC OPT 0 | BLACK | SPS/PA, G.F.30% |
| C-HSG-D0 | CONNECTOR HOUSING KEY D - WDC OPT 0 | BLACK | SPS/PA, G.F.30% |
| C-HSG-E0 | CONNECTOR HOUSING KEY E - WDC OPT 0 | BLACK | SPS/PA, G.F.30% |
| C-HSG-F0 | CONNECTOR HOUSING KEY F - WDC OPT 0 | BLACK | SPS/PA, G.F.30% |
| C-HSG-A9 | CONNECTOR HOUSING KEY A - WDC OPT 9 | BLACK | SPS/PA, G.F.30% |
| C-HSG-B9 | CONNECTOR HOUSING KEY B - WDC OPT 9 | BLACK | SPS/PA, G.F.30% |
| C-HSG-C9 | CONNECTOR HOUSING KEY C - WDC OPT 9 | BLACK | SPS/PA, G.F.30% |
| C-HSG-D9 | CONNECTOR HOUSING KEY D - WDC OPT 9 | BLACK | SPS/PA, G.F.30% |
| C-HSG-E9 | CONNECTOR HOUSING KEY E - WDC OPT 9 | BLACK | SPS/PA, G.F.30% |
| C-HSG-F9 | CONNECTOR HOUSING KEY F - WDC OPT 9 | BLACK | SPS/PA, G.F.30% |
| TPA-A0 | TERMINAL POSITION ASSURANCE (TPA) OPTION 0 | BLACK | SPS/PA, G.F.30% |
| TPA-B0 | TERMINAL POSITION ASSURANCE (TPA) OPTION 0 | STONE GRAY | SPS/PA, G.F.30% |
| TPA-C0 | TERMINAL POSITION ASSURANCE (TPA) OPTION 0 | BLUE | SPS/PA, G.F.30% |
| TPA-D0 | TERMINAL POSITION ASSURANCE (TPA) OPTION 0 | BROWN | SPS/PA, G.F.30% |
| TPA-E0 | TERMINAL POSITION ASSURANCE (TPA) OPTION 0 | GREEN | SPS/PA, G.F.30% |
| TPA-F0 | TERMINAL POSITION ASSURANCE (TPA) OPTION 0 | NATURAL | SPS/PA, G.F.30% |
| TPA-A9 | TERMINAL POSITION ASSURANCE (TPA) OPTION 9 | BLACK | SPS/PA, G.F.30% |
| TPA-B9 | TERMINAL POSITION ASSURANCE (TPA) OPTION 9 | STONE GRAY | SPS/PA, G.F.30% |
| TPA-C9 | TERMINAL POSITION ASSURANCE (TPA) OPTION 9 | BLUE | SPS/PA, G.F.30% |
| TPA-D9 | TERMINAL POSITION ASSURANCE (TPA) OPTION 9 | BROWN | SPS/PA, G.F.30% |
| TPA-E9 | TERMINAL POSITION ASSURANCE (TPA) OPTION 9 | GREEN | SPS/PA, G.F.30% |
| TPA-F9 | TERMINAL POSITION ASSURANCE (TPA) OPTION 9 | NATURAL | SPS/PA, G.F.30% |
| MAL | MATE ASSIST LEVER | BLACK | SPS/NYLON GF30 |
| RS | SLIDE - RIGHT | BLACK | PPE/PA, G.F. 30% |
| LS | SLIDE - LEFT | BLACK | PPE/PA, G.F. 30% |
| CVR BLACK | DRESS COVER BLACK | BLACK | PBT, G.F. 30% |
| CVR GRAY | DRESS COVER GRAY | GRAY | PBT, G.F. 30% |
| CVR BLUE | DRESS COVER BLUE | BLUE | PBT, G.F. 30% |
| CVR BROWN | DRESS COVER BROWN | BROWN | PBT, G.F. 30% |
| CVR GREEN | DRESS COVER GREEN | GREEN | PBT, G.F. 30% |
| CVR NATURAL | DRESS COVER NATURAL | NATURAL | PBT, G.F. 30% |
| CVR YELLOW | DRESS COVER YELLOW | YELLOW | PBT, G.F. 30% |
| CPA | CONNECTOR POSITION ASSURANCE (CPA) | RED | PPE/PA 10% GF |
| MSEAL | MAT SEAL | RUST RED | INHERENTLY LUBRICATED SILICONE RUBBER |
| RSEAL | RING SEAL | RUST RED | INHERENTLY LUBRICATED SILICONE RUBBER |

FOR ADDITIONAL INFO MPARTION SEE SD-34576-001

| ASSEMBLY DESCRIPTION | ASSEMBLY PART NUMBER | CONNECTOR HOUSING | GROMMET CAP | TPA | RIGHT SLIDE | LEFT SLIDE | MATE ASSIST LEVER | CPA | MAT SEAL | RING SEAL | BLOCKED TERMINALS | | | | | | | | | | | | | | STATUS | COMMENTS | INTEGRAL COMPONENTS SOLD SEPARATELY DRESS COVER | | | | |
|--|----------------------|-------------------|-------------|--------|-------------|------------|-------------------|-----|----------|-----------|--|---|---|---|---|---|---|---|---|---|---|---|---|---|--------|----------|---|----------|----------|-----------|-----------|
| | | | | | | | | | | | CAVITY WITH A NUMBER INDICATES BLOCKED TERMINAL POSITION CAVITY WITHOUT A NUMBER INDICATES OPEN TERMINAL POSITION | | | | | | | | | | | | | | | | | | | | |
| MX123 CONN ASSY 49 CKT BLK OPT0 KEY A/49 | 345760103 | C-HSG-A0 | G-CAP-0-P | TPA-A0 | RS | LS | MAL | CPA | MSEAL | RSEAL | - | - | - | - | - | - | - | - | - | - | - | - | - | - | - | - | - | SALEABLE | | 345750003 | |
| MX123 CONN ASSY 49 CKT BLU OPT0 KEY C/49 | 345760303 | C-HSG-C0 | G-CAP-0-P | TPA-C0 | RS | LS | MAL | CPA | MSEAL | RSEAL | - | - | - | - | - | - | - | - | - | - | - | - | - | - | - | - | - | - | SALEABLE | | 345750003 |
| MX123 CONN ASSY 49 CKT BLK OPT9 KEY A/49 | 345761303 | C-HSG-A9 | G-CAP-9-P | TPA-A9 | RS | LS | MAL | CPA | MSEAL | RSEAL | - | - | - | - | - | - | - | - | - | - | - | - | - | - | - | - | - | - | SALEABLE | | 345750003 |
| MX123 CONN ASSY 49 CKT BLU OPT9 KEY C/49 | 345761503 | C-HSG-C9 | G-CAP-9-P | TPA-C9 | RS | LS | MAL | CPA | MSEAL | RSEAL | - | - | - | - | - | - | - | - | - | - | - | - | - | - | - | - | - | - | SALEABLE | | 345750003 |

| ASSEMBLY DESCRIPTION | ASSEMBLY PART NUMBER | CONNECTOR HOUSING | GROMMET CAP | TPA | RIGHT SLIDE | LEFT SLIDE | MATE ASSIST LEVER | CPA | MAT SEAL | RING SEAL | BLOCKED TERMINALS | | | | | | | | | | | | | | | | STATUS | COMMENTS | INTEGRAL COMPONENTS SOLD SEPARATELY DRESS COVER |
|--|----------------------|-------------------|-------------|--------|-------------|------------|-------------------|-----|----------|-----------|--|----|----|----|----|----|----|----|----|----|----|----|----|----|--|--|--------|----------|---|
| | | | | | | | | | | | CAVITY WITH A NUMBER INDICATES BLOCKED TERMINAL POSITION CAVITY WITHOUT A NUMBER INDICATES OPEN TERMINAL POSITION | | | | | | | | | | | | | | | | | | |
| MX123 CONN ASSY 49 CKT BLK OPT0 KEY A/24 | 345767553 | C-HSG-A0 | G-CAP-0-P | TPA-A0 | RS | LS | MAL | CPA | MSEAL | RSEAL | - | 47 | - | 45 | - | - | 42 | 41 | - | - | - | 37 | 36 | - | | | | | |
| | | | | | | | | | | | - | - | - | - | 30 | - | 28 | 27 | - | - | - | - | 22 | - | | | | | |
| | | | | | | | | | | | - | | | | | | | | | | | | | | | | | | |
| | | | | | | | | | | | 20 | 19 | 18 | 17 | 16 | 15 | 14 | 13 | 12 | - | | | | | | | | | |
| | | | | | | | | | | | 10 | 9 | - | - | 6 | 5 | 4 | - | 2 | - | | | | | | | | | |
| MX123 CONN ASSY 49 CKT BLU OPT0 KEY C/35 | 345767563 | C-HSG-C0 | G-CAP-0-P | TPA-C0 | RS | LS | MAL | CPA | MSEAL | RSEAL | - | - | - | - | - | 43 | 42 | - | - | - | - | - | - | 35 | | | | | |
| | | | | | | | | | | | - | - | - | 31 | - | 29 | 28 | 27 | 26 | 25 | - | - | 22 | - | | | | | |
| | | | | | | | | | | | - | | | | | | | | | | | | | | | | | | |
| | | | | | | | | | | | 20 | 19 | - | - | - | - | - | - | - | 11 | | | | | | | | | |
| | | | | | | | | | | | - | - | - | - | - | - | 4 | - | - | - | | | | | | | | | |
| MX123 CONN ASSY 49 CKT BLU OPT9 KEY C/34 | 345767613 | C-HSG-C9 | G-CAP-9-P | TPA-C9 | RS | LS | MAL | CPA | MSEAL | RSEAL | - | - | 46 | - | - | 43 | 42 | - | - | - | - | - | - | 35 | | | | | |
| | | | | | | | | | | | - | - | - | 31 | - | 29 | 28 | 27 | 26 | 25 | - | - | 22 | - | | | | | |
| | | | | | | | | | | | - | | | | | | | | | | | | | | | | | | |
| | | | | | | | | | | | 20 | 19 | - | - | - | - | - | - | - | 11 | | | | | | | | | |
| | | | | | | | | | | | - | - | - | - | - | - | 4 | - | - | - | | | | | | | | | |
| MX123 CONN ASSY 49 CKT BLK OPT9 KEY A/26 | 345767623 | C-HSG-A9 | G-CAP-9-P | TPA-A9 | RS | LS | MAL | CPA | MSEAL | RSEAL | - | 47 | - | 45 | - | - | - | 41 | - | - | - | 37 | 36 | - | | | | | |
| | | | | | | | | | | | - | - | - | - | 30 | - | - | 27 | - | - | - | - | 22 | - | | | | | |
| | | | | | | | | | | | - | | | | | | | | | | | | | | | | | | |
| | | | | | | | | | | | 20 | 19 | 18 | 17 | 16 | 15 | 14 | 13 | 12 | - | | | | | | | | | |
| | | | | | | | | | | | 10 | 9 | - | - | 6 | 5 | 4 | - | 2 | - | | | | | | | | | |
| MX123 CONN ASSY 49 CKT BLK OPT0 KEY A/35 | 345767633 | C-HSG-A0 | G-CAP-0-P | TPA-A0 | RS | LS | MAL | CPA | MSEAL | RSEAL | - | - | - | - | - | 43 | 42 | - | - | - | - | - | - | 35 | | | | | |
| | | | | | | | | | | | - | - | - | 31 | - | 29 | 28 | 27 | 26 | 25 | - | - | 22 | - | | | | | |
| | | | | | | | | | | | - | | | | | | | | | | | | | | | | | | |
| | | | | | | | | | | | 20 | 19 | - | - | - | - | - | - | - | 11 | | | | | | | | | |
| | | | | | | | | | | | - | - | - | - | - | - | 4 | - | - | - | | | | | | | | | |
| MX123 CONN ASSY 49 CKT BLU OPT0 KEY C/38 | 345767653 | C-HSG-C0 | G-CAP-0-P | TPA-C0 | RS | LS | MAL | CPA | MSEAL | RSEAL | - | - | - | - | 44 | 43 | 42 | 41 | - | 39 | - | - | - | 35 | | | | | |
| | | | | | | | | | | | - | 33 | - | - | 30 | - | 28 | 27 | 26 | - | - | - | 21 | | | | | | |
| | | | | | | | | | | | - | | | | | | | | | | | | | | | | | | |
| | | | | | | | | | | | - | - | - | - | - | 15 | 14 | 13 | - | 11 | | | | | | | | | |
| | | | | | | | | | | | - | - | 8 | 7 | 6 | - | 4 | 3 | - | - | | | | | | | | | |
| MX123 CONN ASSY 49 CKT BLK OPT9 KEY A/28 | 345767663 | C-HSG-A9 | G-CAP-9-P | TPA-A9 | RS | LS | MAL | CPA | MSEAL | RSEAL | - | - | - | - | 44 | 43 | 42 | 41 | - | 39 | - | - | - | 35 | | | | | |
| | | | | | | | | | | | - | 33 | - | - | 30 | - | 28 | 27 | 26 | - | - | - | 21 | | | | | | |
| | | | | | | | | | | | - | | | | | | | | | | | | | | | | | | |
| | | | | | | | | | | | - | - | - | - | - | 15 | 14 | 13 | - | 11 | | | | | | | | | |
| | | | | | | | | | | | - | - | 8 | 7 | 6 | - | 4 | 3 | - | - | | | | | | | | | |
| MX123 CONN ASSY 49 CKT BLU OPT0 KEY C/36 | 345767673 | C-HSG-C0 | G-CAP-0-P | TPA-C0 | RS | LS | MAL | CPA | MSEAL | RSEAL | - | - | - | - | - | 43 | 42 | - | - | - | - | - | - | 35 | | | | | |
| | | | | | | | | | | | - | - | - | 31 | - | 29 | - | - | 26 | 25 | - | - | 22 | - | | | | | |
| | | | | | | | | | | | - | | | | | | | | | | | | | | | | | | |
| | | | | | | | | | | | 20 | 19 | - | - | 16 | - | - | - | - | 11 | | | | | | | | | |
| | | | | | | | | | | | - | - | - | - | - | - | 4 | - | - | - | | | | | | | | | |
| MX123 CONN ASSY 49 CKT BLK OPT0 KEY A/28 | 345767683 | C-HSG-A0 | G-CAP-0-P | TPA-A0 | RS | LS | MAL | CPA | MSEAL | RSEAL | - | 47 | - | 45 | - | - | - | 41 | 40 | - | - | 37 | 36 | - | | | | | |
| | | | | | | | | | | | - | 33 | - | - | 30 | - | - | 27 | 26 | - | - | - | 22 | - | | | | | |
| | | | | | | | | | | | - | | | | | | | | | | | | | | | | | | |
| | | | | | | | | | | | - | - | 18 | 17 | 16 | 15 | - | 13 | 12 | - | | | | | | | | | |
| | | | | | | | | | | | - | - | - | - | 6 | 5 | 4 | - | 2 | - | | | | | | | | | |
| MX123 CONN ASSY 49 CKT BLU OPT9 KEY C/35 | 345767723 | C-HSG-C9 | G-CAP-9-P | TPA-C9 | RS | LS | MAL | CPA | MSEAL | RSEAL | - | - | - | - | - | 43 | 42 | - | - | - | - | - | - | 35 | | | | | |
| | | | | | | | | | | | - | - | - | 31 | - | 29 | 28 | 27 | 26 | 25 | - | - | 22 | - | | | | | |
| | | | | | | | | | | | - | | | | | | | | | | | | | | | | | | |
| | | | | | | | | | | | 20 | 19 | - | - | - | - | - | - | - | 11 | | | | | | | | | |
| | | | | | | | | | | | - | - | - | - | - | - | 4 | - | - | - | | | | | | | | | |
| MX123 CONN ASSY 49 CKT BLK OPT0 KEY A/24 | 345767733 | C-HSG-A0 | G-CAP-0-P | TPA-A0 | RS | LS | MAL | CPA | MSEAL | RSEAL | 48 | 47 | 46 | 45 | - | - | - | - | 40 | - | 38 | 37 | 36 | - | | | | | |
| | | | | | | | | | | | 34 | - | 32 | 31 | - | 29 | - | - | - | 25 | 24 | 23 | 22 | - | | | | | |
| | | | | | | | | | | | - | | | | | | | | | | | | | | | | | | |
| | | | | | | | | | | | 20 | 19 | - | 17 | 16 | - | - | - | 12 | - | | | | | | | | | |
| | | | | | | | | | | | 10 | 9 | - | - | - | 5 | - | - | 2 | - | | | | | | | | | |
| MX123 CONN ASSY 49 CKT BLU OPT0 KEY C/12 | 345767743 | C-HSG-C0 | G-CAP-0-P | TPA-C0 | RS | LS | MAL | CPA | MSEAL | RSEAL | 48 | 47 | 46 | 45 | 44 | - | 42 | 41 | 40 | 39 | 38 | 37 | 36 | 35 | | | | | |
| | | | | | | | | | | | 34 | 33 | 32 | - | 30 | - | 28 | 27 | - | - | 24 | 23 | - | 21 | | | | | |
| | | | | | | | | | | | - | | | | | | | | | | | | | | | | | | |
| | | | | | | | | | | | - | - | 18 | 17 | 16 | 15 | 14 | 13 | 12 | - | | | | | | | | | |
| | | | | | | | | | | | 10 | 9 | 8 | 7 | 6 | 5 | - | 3 | - | 1 | | | | | | | | | |

| ASSEMBLY DESCRIPTION | ASSEMBLY PART NUMBER | CONNECTOR HOUSING | GROMMET CAP | TPA | RIGHT SLIDE | LEFT SLIDE | MATE ASSIST LEVER | CPA | MAT SEAL | RING SEAL | BLOCKED TERMINALS | | | | | | | | | | | | | | | | STATUS | COMMENTS | INTEGRAL COMPONENTS SOLD SEPARATELY DRESS COVER |
|--|----------------------|-------------------|-------------|--------|-------------|------------|-------------------|-----|----------|-----------|--|----|----|----|----|----|----|----|----|----|----|----|----|----|--|--|--------|----------|---|
| | | | | | | | | | | | CAVITY WITH A NUMBER INDICATES BLOCKED TERMINAL POSITION CAVITY WITHOUT A NUMBER INDICATES OPEN TERMINAL POSITION | | | | | | | | | | | | | | | | | | |
| MX123 CONN ASSY 49 CKT BLK OPT9 KEY A/23 | 345767763 | C-HSG-A9 | G-CAP-9-P | TPA-A9 | RS | LS | MAL | CPA | MSEAL | RSEAL | 48 | 47 | 46 | 45 | - | - | - | - | 40 | - | 38 | 37 | 36 | - | | | | | |
| | | | | | | | | | | | 34 | - | 32 | 31 | - | 29 | - | - | - | 25 | 24 | 23 | 22 | - | | | | | |
| | | | | | | | | | | | - | | | | 20 | 19 | - | - | 16 | 15 | - | - | 12 | - | | | | | |
| | | | | | | | | | | | - | | | | 10 | 9 | - | - | - | 5 | - | - | 2 | 1 | | | | | |
| MX123 CONN ASSY 49 CKT BLK OPT9 KEY A/31 | 345767773 | C-HSG-A9 | G-CAP-9-P | TPA-A9 | RS | LS | MAL | CPA | MSEAL | RSEAL | - | - | - | - | - | - | 42 | 41 | - | 39 | - | - | - | 35 | | | | | |
| | | | | | | | | | | | - | 33 | - | - | 30 | - | - | - | 26 | - | - | - | 21 | | | | | | |
| | | | | | | | | | | | - | | | | - | - | 18 | 17 | - | - | 14 | 13 | - | 11 | | | | | |
| | | | | | | | | | | | - | | | | - | - | 8 | 7 | 6 | - | 4 | 3 | - | - | | | | | |
| MX123 CONN ASSY 49 CKT BLU OPT9 KEY C/35 | 345767783 | C-HSG-C9 | G-CAP-9-P | TPA-C9 | RS | LS | MAL | CPA | MSEAL | RSEAL | - | - | - | - | - | 43 | 42 | - | - | - | - | - | 35 | | | | | | |
| | | | | | | | | | | | - | - | - | 31 | - | 29 | 28 | - | 26 | 25 | - | - | 22 | - | | | | | |
| | | | | | | | | | | | - | | | | 20 | 19 | - | - | 16 | - | - | - | 11 | | | | | | |
| | | | | | | | | | | | - | | | | - | - | - | - | - | - | 4 | - | - | - | | | | | |
| MX123 CONN ASSY 49 CKT BLK OPT9 KEY A/28 | 345767793 | C-HSG-A9 | G-CAP-9-P | TPA-A9 | RS | LS | MAL | CPA | MSEAL | RSEAL | - | - | - | - | 44 | 43 | 42 | 41 | - | 39 | - | - | - | 35 | | | | | |
| | | | | | | | | | | | - | 33 | - | - | 30 | 29 | 28 | 27 | 26 | - | - | - | 21 | | | | | | |
| | | | | | | | | | | | - | | | | - | - | - | - | - | - | 14 | 13 | - | 11 | | | | | |
| | | | | | | | | | | | - | | | | - | - | 8 | 7 | 6 | - | 4 | 3 | - | - | | | | | |
| MX123 CONN ASSY 49 CKT BLU OPT9 KEY C/34 | 345767813 | C-HSG-C9 | G-CAP-9-P | TPA-C9 | RS | LS | MAL | CPA | MSEAL | RSEAL | - | - | - | - | - | 43 | 42 | - | - | - | - | - | 35 | | | | | | |
| | | | | | | | | | | | - | - | - | 31 | - | 29 | 28 | - | 26 | 25 | - | - | 22 | - | | | | | |
| | | | | | | | | | | | - | | | | 20 | 19 | - | - | 16 | - | - | - | 11 | | | | | | |
| | | | | | | | | | | | - | | | | - | - | - | - | 6 | - | 4 | - | - | - | | | | | |
| MX123 CONN ASSY 49 CKT BLK OPT0 KEY A/26 | 345767823 | C-HSG-A0 | G-CAP-0-P | TPA-A0 | RS | LS | MAL | CPA | MSEAL | RSEAL | - | - | - | - | 44 | 43 | 42 | 41 | - | 39 | - | - | - | 35 | | | | | |
| | | | | | | | | | | | - | 33 | - | - | 30 | - | 28 | 27 | 26 | - | - | - | 21 | | | | | | |
| | | | | | | | | | | | - | | | | - | - | 18 | - | - | 15 | 14 | 13 | - | 11 | | | | | |
| | | | | | | | | | | | - | | | | - | - | 8 | 7 | 6 | - | 4 | 3 | - | 1 | | | | | |
| MX123 CONN ASSY 49 CKT BLU OPT0 KEY C/31 | 345767833 | C-HSG-C0 | G-CAP-0-P | TPA-C0 | RS | LS | MAL | CPA | MSEAL | RSEAL | - | - | 46 | - | - | 43 | 42 | - | - | - | - | - | - | | | | | | |
| | | | | | | | | | | | - | 33 | - | 31 | - | 29 | - | 27 | 26 | 25 | - | 23 | 22 | - | | | | | |
| | | | | | | | | | | | - | | | | 20 | 19 | - | - | 16 | - | - | - | - | | | | | | |
| | | | | | | | | | | | - | | | | 10 | - | 8 | - | - | - | 4 | - | 2 | - | | | | | |
| MX123 CONN ASSY 49 CKT BLK OPT9 KEY A/33 | 345767843 | C-HSG-A9 | G-CAP-9-P | TPA-A9 | RS | LS | MAL | CPA | MSEAL | RSEAL | - | - | - | - | - | - | 42 | 41 | - | 39 | - | - | - | 35 | | | | | |
| | | | | | | | | | | | - | 33 | - | - | 30 | 29 | - | - | 26 | - | - | - | 21 | | | | | | |
| | | | | | | | | | | | - | | | | - | - | - | - | - | - | 14 | 13 | - | 11 | | | | | |
| | | | | | | | | | | | - | | | | - | - | 8 | 7 | - | - | 4 | 3 | - | - | | | | | |
| MX123 CONN ASSY 49 CKT BLU OPT0 KEY C/40 | 345767853 | C-HSG-C0 | G-CAP-0-P | TPA-C0 | RS | LS | MAL | CPA | MSEAL | RSEAL | - | - | - | - | - | 43 | - | - | - | - | - | - | - | | | | | | |
| | | | | | | | | | | | - | - | - | 31 | - | - | - | - | 26 | 25 | - | - | 22 | - | | | | | |
| | | | | | | | | | | | - | | | | - | 19 | - | - | - | - | - | - | 11 | | | | | | |
| | | | | | | | | | | | - | | | | - | - | - | - | - | - | 4 | - | 2 | - | | | | | |
| MX123 CONN ASSY 49 CKT BLK OPT9 KEY A/25 | 345767863 | C-HSG-A9 | G-CAP-9-P | TPA-A9 | RS | LS | MAL | CPA | MSEAL | RSEAL | - | 47 | - | 45 | 44 | - | 42 | 41 | 40 | - | - | 37 | - | - | | | | | |
| | | | | | | | | | | | - | - | 32 | - | 30 | - | 28 | - | 26 | - | - | - | 22 | - | | | | | |
| | | | | | | | | | | | - | | | | - | - | 18 | 17 | 16 | 15 | 14 | 13 | 12 | - | | | | | |
| | | | | | | | | | | | - | | | | - | - | 8 | - | - | 5 | 4 | 3 | 2 | - | | | | | |
| MX123 CONN ASSY 49 CKT BLU OPT9 KEY C/34 | 345767873 | C-HSG-C9 | G-CAP-9-P | TPA-C9 | RS | LS | MAL | CPA | MSEAL | RSEAL | - | - | - | - | - | - | 42 | - | - | - | - | - | 35 | | | | | | |
| | | | | | | | | | | | - | - | - | 31 | - | 29 | 28 | - | 26 | 25 | - | - | 22 | - | | | | | |
| | | | | | | | | | | | - | | | | 20 | 19 | - | - | 16 | - | - | - | 11 | | | | | | |
| | | | | | | | | | | | - | | | | 10 | - | - | - | - | - | 4 | - | 2 | - | | | | | |
| MX123 CONN ASSY 49 CKT BLK OPT9 KEY A/30 | 345767883 | C-HSG-A9 | G-CAP-9-P | TPA-A9 | RS | LS | MAL | CPA | MSEAL | RSEAL | - | - | - | - | - | - | 42 | 41 | - | 39 | 38 | - | - | 35 | | | | | |
| | | | | | | | | | | | - | 33 | - | - | 30 | - | 28 | - | 26 | - | - | - | 21 | | | | | | |
| | | | | | | | | | | | - | | | | - | - | - | 17 | - | 15 | 14 | 13 | - | 11 | | | | | |
| | | | | | | | | | | | - | | | | - | - | 8 | 7 | - | - | 4 | 3 | - | - | | | | | |

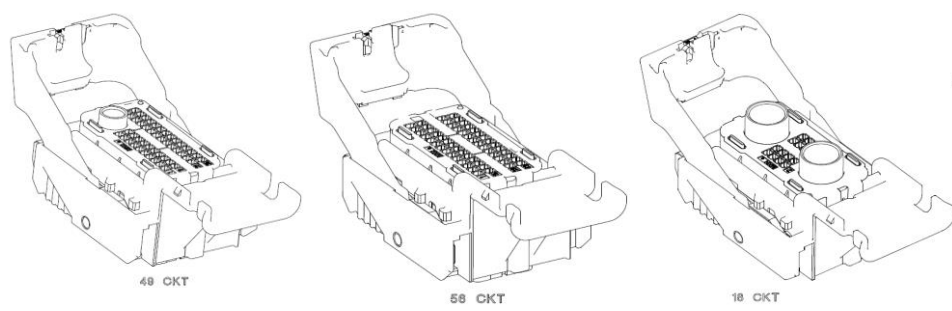
| ASSEMBLY DESCRIPTION | ASSEMBLY PART NUMBER | CONNECTOR HOUSING | GROMMET CAP | TPA | RIGHT SLIDE | LEFT SLIDE | MATE ASSIST LEVER | CPA | MAT SEAL | RING SEAL | BLOCKED TERMINALS | | | | | | | | | | | | | | | | STATUS | COMMENTS | INTEGRAL COMPONENTS SOLD SEPARATELY DRESS COVER |
|--|----------------------|-------------------|-------------|--------|-------------|------------|-------------------|-----|----------|-----------|--|----|----|----|----|----|----|----|----|----|----|----|----|----|----------|----------|-----------|-----------|---|
| | | | | | | | | | | | CAVITY WITH A NUMBER INDICATES BLOCKED TERMINAL POSITION CAVITY WITHOUT A NUMBER INDICATES OPEN TERMINAL POSITION | | | | | | | | | | | | | | | | | | |
| MX123 CONN ASSY 49 CKT BLK OPT9 KEY A/25 | 345767893 | C-HSG-A9 | G-CAP-9-P | TPA-A9 | RS | LS | MAL | CPA | MSEAL | RSEAL | - | - | - | - | 44 | 43 | 42 | 41 | - | 39 | - | - | - | - | 35 | SALEABLE | | 345750003 | |
| | | | | | | | | | | | - | 33 | - | - | 30 | - | 28 | 27 | 26 | - | - | - | - | 21 | | | | | |
| | | | | | | | | | | | - | | | | | | | | | | | | | | | | | | |
| | | | | | | | | | | | - | - | 8 | 7 | 6 | - | 4 | 3 | - | 1 | | | | | | | | | |
| MX123 CONN ASSY 49 CKT BLK OPT0 KEY A/27 | 345767903 | C-HSG-A0 | G-CAP-0-P | TPA-A0 | RS | LS | MAL | CPA | MSEAL | RSEAL | - | - | - | - | 44 | 43 | 42 | 41 | - | 39 | - | - | - | - | 35 | SALEABLE | | 345750003 | |
| | | | | | | | | | | | - | 33 | - | - | 30 | - | 28 | 27 | 26 | - | - | - | - | 21 | | | | | |
| | | | | | | | | | | | - | | | | | | | | | | | | | | | | | | |
| | | | | | | | | | | | - | - | 8 | 7 | 6 | - | 4 | 3 | - | - | | | | | | | | | |
| MX123 CONN ASSY 49 CKT BLK OPT9 KEY A/27 | 345767913 | C-HSG-A9 | G-CAP-9-P | TPA-A9 | RS | LS | MAL | CPA | MSEAL | RSEAL | - | 47 | - | 45 | 44 | - | 42 | 41 | 40 | - | - | 37 | - | - | SALEABLE | | 345750003 | | |
| | | | | | | | | | | | - | - | - | - | 30 | - | 28 | - | 26 | - | - | - | - | - | | | | | |
| | | | | | | | | | | | - | | | | | | | | | | | | | | | | | | |
| | | | | | | | | | | | - | - | 8 | - | - | 5 | 4 | 3 | 2 | - | | | | | | | | | |
| MX123 CONN ASSY 49 CKT BLK OPT0 KEY A/34 | 345767923 | C-HSG-A0 | G-CAP-0-P | TPA-A0 | RS | LS | MAL | CPA | MSEAL | RSEAL | - | - | - | - | - | - | 42 | 41 | - | 39 | - | - | - | 35 | SALEABLE | | 345750003 | | |
| | | | | | | | | | | | - | 33 | - | - | 30 | - | - | - | 26 | - | - | - | - | 21 | | | | | |
| | | | | | | | | | | | - | | | | | | | | | | | | | | | | | | |
| | | | | | | | | | | | - | - | 8 | 7 | - | - | 4 | 3 | - | - | | | | | | | | | |
| MX123 CONN ASSY 49 CKT BLU OPT0 KEY C/14 | 345767933 | C-HSG-C0 | G-CAP-0-P | TPA-C0 | RS | LS | MAL | CPA | MSEAL | RSEAL | 48 | 47 | 46 | 45 | 44 | 43 | 42 | 41 | 40 | 39 | 38 | 37 | 36 | 35 | SALEABLE | | 345750003 | | |
| | | | | | | | | | | | 34 | 33 | 32 | 31 | 30 | 29 | 28 | 27 | 26 | 25 | 24 | 23 | 22 | 21 | | | | | |
| | | | | | | | | | | | - | | | | | | | | | | | | | | | | | | |
| | | | | | | | | | | | - | 19 | - | - | - | 15 | - | - | - | 11 | | | | | | | | | |
| MX123 CONN ASSY 49 CKT BLK OPT0 KEY A/27 | 345767943 | C-HSG-A0 | G-CAP-0-P | TPA-A0 | RS | LS | MAL | CPA | MSEAL | RSEAL | - | - | - | - | 44 | 43 | 42 | 41 | - | 39 | - | - | - | 35 | SALEABLE | | 345750003 | | |
| | | | | | | | | | | | - | 33 | - | - | 30 | - | 28 | 27 | 26 | - | - | - | - | 21 | | | | | |
| | | | | | | | | | | | - | | | | | | | | | | | | | | | | | | |
| | | | | | | | | | | | - | - | 8 | 7 | 6 | - | 4 | 3 | - | - | | | | | | | | | |
| MX123 CONN ASSY 49 CKT BLK OPT9 KEY A/26 | 345767963 | C-HSG-A9 | G-CAP-9-P | TPA-A9 | RS | LS | MAL | CPA | MSEAL | RSEAL | - | 47 | - | 45 | 44 | - | 42 | 41 | 40 | - | - | 37 | - | - | SALEABLE | | 345750003 | | |
| | | | | | | | | | | | - | - | - | - | 30 | - | 28 | - | 26 | - | - | - | 22 | - | | | | | |
| | | | | | | | | | | | - | | | | | | | | | | | | | | | | | | |
| | | | | | | | | | | | - | - | 8 | - | - | 5 | 4 | 3 | 2 | - | | | | | | | | | |
| MX123 CONN ASSY 49 CKT BLK OPT0 KEY A/30 | 345767973 | C-HSG-A0 | G-CAP-0-P | TPA-A0 | RS | LS | MAL | CPA | MSEAL | RSEAL | - | - | - | - | - | - | 42 | 41 | - | 39 | - | - | - | 35 | SALEABLE | | 345750003 | | |
| | | | | | | | | | | | - | 33 | - | - | 30 | 29 | - | - | 26 | - | - | - | - | 21 | | | | | |
| | | | | | | | | | | | - | | | | | | | | | | | | | | | | | | |
| | | | | | | | | | | | - | - | 8 | 7 | 6 | - | 4 | 3 | - | - | | | | | | | | | |
| MX123 CONN ASSY 49 CKT BLK OPT9 KEY A/18 | 345767983 | C-HSG-A9 | G-CAP-9-P | TPA-A9 | RS | LS | MAL | CPA | MSEAL | RSEAL | 48 | 47 | 46 | 45 | 44 | 43 | 42 | 41 | 40 | 39 | - | 37 | 36 | 35 | SALEABLE | | 345750003 | | |
| | | | | | | | | | | | 34 | - | - | 31 | 30 | - | - | 27 | - | - | 24 | - | 22 | 21 | | | | | |
| | | | | | | | | | | | - | | | | | | | | | | | | | | | | | | |
| | | | | | | | | | | | - | 9 | - | - | - | - | 4 | 3 | 2 | 1 | | | | | | | | | |
| MX123 CONN ASSY 49 CKT BLU OPT9 KEY C/29 | 345767993 | C-HSG-C9 | G-CAP-9-P | TPA-C9 | RS | LS | MAL | CPA | MSEAL | RSEAL | 48 | - | 46 | - | - | 43 | - | 41 | - | - | - | - | - | 35 | SALEABLE | | 345750003 | | |
| | | | | | | | | | | | - | 33 | - | 31 | - | 29 | - | 27 | 26 | 25 | - | - | 22 | - | | | | | |
| | | | | | | | | | | | - | | | | | | | | | | | | | | | | | | |
| | | | | | | | | | | | - | 10 | - | 8 | - | 6 | - | 4 | - | 2 | - | | | | | | | | |
| MX123 CONN ASSY 49 CKT BLK OPT0 KEY A/31 | 345768003 | C-HSG-A0 | G-CAP-0-P | TPA-A0 | RS | LS | MAL | CPA | MSEAL | RSEAL | - | - | - | - | - | - | 42 | 41 | - | 39 | - | - | - | 35 | SALEABLE | | 345750003 | | |
| | | | | | | | | | | | - | 33 | - | - | 30 | - | - | - | 26 | - | - | - | - | 21 | | | | | |
| | | | | | | | | | | | - | | | | | | | | | | | | | | | | | | |
| | | | | | | | | | | | - | - | 8 | 7 | - | - | 4 | 3 | - | - | | | | | | | | | |
| MX123 CONN ASSY 49 CKT BLK OPT9 KEY A/26 | 345768023 | C-HSG-A9 | G-CAP-9-P | TPA-A9 | RS | LS | MAL | CPA | MSEAL | RSEAL | - | - | - | - | 44 | 43 | 42 | 41 | - | 39 | 38 | - | - | 35 | SALEABLE | | 345750003 | | |
| | | | | | | | | | | | - | 33 | - | - | 30 | - | 28 | 27 | 26 | - | - | - | - | 21 | | | | | |
| | | | | | | | | | | | - | | | | | | | | | | | | | | | | | | |
| | | | | | | | | | | | - | - | 8 | 7 | 6 | - | 4 | 3 | - | - | | | | | | | | | |

| ASSEMBLY DESCRIPTION | ASSEMBLY PART NUMBER | CONNECTOR HOUSING | GROMMET CAP | TPA | RIGHT SLIDE | LEFT SLIDE | MATE ASSIST LEVER | CPA | MAT SEAL | RING SEAL | BLOCKED TERMINALS | | | | | | | | | | | | | | | | STATUS | COMMENTS | INTEGRAL COMPONENTS SOLD SEPARATELY DRESS COVER |
|--|----------------------|-------------------|-------------|--------|-------------|------------|-------------------|-----|----------|-----------|--|----|----|----|----|----|----|----|----|----|----|----|----|----|----------|----|-----------|----------|---|
| | | | | | | | | | | | CAVITY WITH A NUMBER INDICATES BLOCKED TERMINAL POSITION CAVITY WITHOUT A NUMBER INDICATES OPEN TERMINAL POSITION | | | | | | | | | | | | | | | | | | |
| | | | | | | | | | | | 48 | 47 | 46 | 45 | 44 | 43 | 42 | 41 | 40 | 39 | 38 | 37 | 36 | 35 | 34 | 33 | | | |
| MX123 CONN ASSY 49 CKT BLK OPT9 KEY A/21 | 345768033 | C-HSG-A9 | G-CAP-9-P | TPA-A9 | RS | LS | MAL | CPA | MSEAL | RSEAL | 48 | 47 | 46 | 45 | 44 | 43 | 42 | 41 | 40 | 39 | 38 | 37 | 36 | 35 | SALEABLE | | 345750003 | | |
| | | | | | | | | | | | 34 | - | - | 31 | 30 | - | - | 27 | - | - | 24 | - | 22 | 21 | | | | | |
| | | | | | | | | | | | - | - | - | - | - | 19 | - | - | - | - | 14 | 13 | 12 | 11 | | | | | |
| MX123 CONN ASSY 49 CKT BLU OPT9 KEY C/28 | 345768043 | C-HSG-C9 | G-CAP-9-P | TPA-C9 | RS | LS | MAL | CPA | MSEAL | RSEAL | 48 | - | 46 | - | - | 43 | 42 | 41 | - | - | - | - | - | 35 | SALEABLE | | 345750003 | | |
| | | | | | | | | | | | - | 33 | - | 31 | - | 29 | - | 27 | 26 | 25 | - | - | 22 | - | | | | | |
| | | | | | | | | | | | - | - | - | - | 20 | 19 | - | - | 16 | - | - | - | - | - | | | | | |
| MX123 CONN ASSY 49 CKT BLK OPT0 KEY A/30 | 345768053 | C-HSG-A0 | G-CAP-0-P | TPA-A0 | RS | LS | MAL | CPA | MSEAL | RSEAL | - | - | - | - | - | - | 42 | 41 | - | 39 | - | - | - | 35 | SALEABLE | | 345750003 | | |
| | | | | | | | | | | | - | 33 | - | - | 30 | - | - | - | 26 | - | - | - | 21 | | | | | | |
| | | | | | | | | | | | - | - | - | - | - | - | 18 | 17 | - | 15 | 14 | 13 | - | 11 | | | | | |
| MX123 CONN ASSY 49 CKT BLK OPT9 KEY A/32 | 345768063 | C-HSG-A9 | G-CAP-9-P | TPA-A9 | RS | LS | MAL | CPA | MSEAL | RSEAL | - | - | - | - | - | - | 42 | 41 | - | 39 | 38 | - | - | 35 | SALEABLE | | 345750003 | | |
| | | | | | | | | | | | - | 33 | - | - | 30 | - | - | - | 26 | - | - | - | 21 | | | | | | |
| | | | | | | | | | | | - | - | - | - | - | - | 17 | - | - | 14 | 13 | - | 11 | | | | | | |
| MX123 CONN ASSY 49 CKT BLU OPT0 KEY C/34 | 345768073 | C-HSG-C0 | G-CAP-0-P | TPA-C0 | RS | LS | MAL | CPA | MSEAL | RSEAL | - | - | - | - | - | 43 | 42 | - | - | - | - | - | - | 35 | SALEABLE | | 345750003 | | |
| | | | | | | | | | | | - | - | - | 31 | - | 29 | - | 27 | 26 | 25 | - | - | - | - | | | | | |
| | | | | | | | | | | | - | - | - | - | - | 19 | - | - | - | 15 | - | - | - | 11 | | | | | |
| MX123 CONN ASSY 49 CKT BLK OPT0 KEY A/33 | 345768113 | C-HSG-A0 | G-CAP-0-P | TPA-A0 | RS | LS | MAL | CPA | MSEAL | RSEAL | - | - | - | - | - | - | 42 | 41 | - | 39 | - | - | - | 35 | SALEABLE | | 345750003 | | |
| | | | | | | | | | | | - | 33 | - | - | 30 | - | - | - | 26 | - | - | - | 21 | | | | | | |
| | | | | | | | | | | | - | - | - | - | - | - | - | - | - | 14 | 13 | - | 11 | | | | | | |
| MX123 CONN ASSY 49 CKT BLK OPT0 KEY A/31 | 345768123 | C-HSG-A0 | G-CAP-0-P | TPA-A0 | RS | LS | MAL | CPA | MSEAL | RSEAL | - | - | - | - | - | - | 42 | 41 | - | 39 | - | - | - | 35 | SALEABLE | | 345750003 | | |
| | | | | | | | | | | | - | 33 | - | - | 30 | 29 | - | - | 26 | - | - | - | 21 | | | | | | |
| | | | | | | | | | | | - | - | - | - | - | - | 18 | - | - | - | 14 | 13 | - | 11 | | | | | |
| MX123 CONN ASSY 49 CKT BLK OPT0 KEY A/27 | 345768133 | C-HSG-A0 | G-CAP-0-P | TPA-A0 | RS | LS | MAL | CPA | MSEAL | RSEAL | - | 47 | - | 45 | - | - | - | 41 | - | - | - | 37 | 36 | - | SALEABLE | | 345750003 | | |
| | | | | | | | | | | | - | - | - | - | 30 | - | - | 27 | - | - | - | - | 22 | - | | | | | |
| | | | | | | | | | | | - | - | - | - | 20 | 19 | 18 | 17 | 16 | 15 | - | 13 | 12 | - | | | | | |
| MX123 CONN ASSY 49 CKT BLK OPT0 KEY A/1 | 345769113 | C-HSG-A0 | G-CAP-0-P | TPA-A0 | RS | LS | MAL | CPA | MSEAL | RSEAL | 48 | 47 | 46 | 45 | 44 | 43 | 42 | 41 | 40 | 39 | 38 | 37 | 36 | 35 | SALEABLE | | 345750003 | | |
| | | | | | | | | | | | 34 | 33 | 32 | 31 | 30 | 29 | 28 | 27 | 26 | 25 | 24 | 23 | 22 | 21 | | | | | |
| | | | | | | | | | | | - | - | - | - | 20 | 19 | 18 | 17 | 16 | 15 | 14 | 13 | 12 | 11 | | | | | |
| MX123 CONN ASSY 49 CKT BLU OPT0 KEY C/1 | 345769123 | C-HSG-C0 | G-CAP-0-P | TPA-C0 | RS | LS | MAL | CPA | MSEAL | RSEAL | 48 | 47 | 46 | 45 | 44 | 43 | 42 | 41 | 40 | 39 | 38 | 37 | 36 | 35 | SALEABLE | | 345750003 | | |
| | | | | | | | | | | | 34 | 33 | 32 | 31 | 30 | 29 | 28 | 27 | 26 | 25 | 24 | 23 | 22 | 21 | | | | | |
| | | | | | | | | | | | - | - | - | - | 20 | 19 | 18 | 17 | 16 | 15 | 14 | 13 | 12 | 11 | | | | | |
| MX123 CONN ASSY 49 CKT BLK OPT9 KEY A/32 | 345769133 | C-HSG-A9 | G-CAP-9-P | TPA-A9 | RS | LS | MAL | CPA | MSEAL | RSEAL | - | - | - | - | - | - | 42 | 41 | - | 39 | - | - | - | 35 | SALEABLE | | 345750003 | | |
| | | | | | | | | | | | - | 33 | - | - | 30 | - | - | - | 26 | - | - | - | 21 | | | | | | |
| | | | | | | | | | | | - | - | - | - | - | - | - | - | - | 15 | 14 | 13 | - | 11 | | | | | |
| MX123 CONN ASSY 49 CKT BLU OPT9 KEY C/30 | 345769143 | C-HSG-C9 | G-CAP-9-P | TPA-C9 | RS | LS | MAL | CPA | MSEAL | RSEAL | 48 | - | 46 | - | - | 43 | 42 | 41 | - | - | - | - | - | 35 | SALEABLE | | 345750003 | | |
| | | | | | | | | | | | - | 33 | - | 31 | - | 29 | 28 | 27 | - | - | - | - | 22 | - | | | | | |
| | | | | | | | | | | | - | - | - | - | 20 | 19 | - | - | 16 | - | - | - | - | 11 | | | | | |

| ASSEMBLY DESCRIPTION | ASSEMBLY PART NUMBER | CONNECTOR HOUSING | GROMMET CAP | TPA | RIGHT SLIDE | LEFT SLIDE | MATE ASSIST LEVER | CPA | MAT SEAL | RING SEAL | BLOCKED TERMINALS | | | | | | | | | | | | | | | | STATUS | COMMENTS | INTEGRAL COMPONENTS SOLD SEPARATELY DRESS COVER |
|--|----------------------|-------------------|-------------|--------|-------------|------------|-------------------|-----|----------|-----------|--|----|----|----|----|----|----|----|----|----|----|----|----|----|----------|--|-----------|----------|---|
| | | | | | | | | | | | CAVITY WITH A NUMBER INDICATES BLOCKED TERMINAL POSITION CAVITY WITHOUT A NUMBER INDICATES OPEN TERMINAL POSITION | | | | | | | | | | | | | | | | | | |
| MX123 CONN ASSY 49 CKT BLK OPT9 KEY A/18 | 345769153 | C-HSG-A9 | G-CAP-9-P | TPA-A9 | RS | LS | MAL | CPA | MSEAL | RSEAL | 48 | 47 | 46 | 45 | - | - | 42 | - | 40 | 39 | 38 | - | - | 35 | SALEABLE | | 345750003 | | |
| | | | | | | | | | | | - | - | - | 31 | 30 | 29 | 28 | 27 | 26 | 25 | 24 | 23 | - | 21 | | | | | |
| | | | | | | | | | | | | | | | | | | | | | | 20 | 19 | - | | | | - | - |
| MX123 CONN ASSY 49 CKT BLK OPT0 KEY A/28 | 345769163 | C-HSG-A0 | G-CAP-0-P | TPA-A0 | RS | LS | MAL | CPA | MSEAL | RSEAL | - | - | - | - | 44 | 43 | 42 | 41 | - | 39 | - | - | - | 35 | SALEABLE | | 345750003 | | |
| | | | | | | | | | | | - | 33 | - | - | 30 | - | 28 | 27 | 26 | - | - | - | - | 21 | | | | | |
| | | | | | | | | | | | | | | | | | | | | | | - | - | 18 | | | | - | - |
| MX123 CONN ASSY 49 CKT BLK OPT9 KEY A/38 | 345769173 | C-HSG-A9 | G-CAP-9-P | TPA-A9 | RS | LS | MAL | CPA | MSEAL | RSEAL | - | - | - | - | 44 | - | 42 | 41 | - | - | - | - | - | - | SALEABLE | | 345750003 | | |
| | | | | | | | | | | | - | - | - | - | 30 | - | 28 | - | 26 | - | - | - | - | - | | | | | |
| | | | | | | | | | | | | | | | | | | | | | | - | - | - | | | | - | - |
| MX123 CONN ASSY 49 CKT BLU OPT0 KEY C/34 | 345769193 | C-HSG-C0 | G-CAP-0-P | TPA-C0 | RS | LS | MAL | CPA | MSEAL | RSEAL | - | - | - | - | - | 43 | 42 | - | - | - | - | - | - | 35 | SALEABLE | | 345750003 | | |
| | | | | | | | | | | | - | - | - | 31 | - | 29 | - | - | 26 | 25 | - | - | - | - | | | | | |
| | | | | | | | | | | | | | | | | | | | | | | 20 | 19 | - | | | | - | - |
| MX123 CONN ASSY 49 CKT BLK OPT9 KEY A/20 | 345769203 | C-HSG-A9 | G-CAP-9-P | TPA-A9 | RS | LS | MAL | CPA | MSEAL | RSEAL | 48 | 47 | 46 | 45 | 44 | 43 | 42 | 41 | 40 | 39 | - | 37 | 36 | 35 | SALEABLE | | 345750003 | | |
| | | | | | | | | | | | 34 | - | - | 31 | 30 | - | - | 27 | - | - | 24 | - | 22 | 21 | | | | | |
| | | | | | | | | | | | | | | | | | | | | | | - | 19 | - | | | | - | - |
| MX123 CONN ASSY 49 CKT BLK OPT9 KEY A/14 | 345769213 | C-HSG-A9 | G-CAP-9-P | TPA-A9 | RS | LS | MAL | CPA | MSEAL | RSEAL | 48 | 47 | 46 | 45 | 44 | 43 | 42 | 41 | 40 | 39 | 38 | - | 36 | 35 | SALEABLE | | 345750003 | | |
| | | | | | | | | | | | - | - | - | 31 | 30 | 29 | 28 | 27 | 26 | 25 | 24 | - | 22 | 21 | | | | | |
| | | | | | | | | | | | | | | | | | | | | | | 20 | 19 | - | | | | - | - |
| MX123 CONN ASSY 49 CKT BLU OPT0 KEY C/29 | 345769223 | C-HSG-C0 | G-CAP-0-P | TPA-C0 | RS | LS | MAL | CPA | MSEAL | RSEAL | 48 | - | 46 | - | - | 43 | 42 | 41 | - | - | - | - | - | 35 | SALEABLE | | 345750003 | | |
| | | | | | | | | | | | - | 33 | - | 31 | - | 29 | - | - | 26 | 25 | - | 23 | 22 | - | | | | | |
| | | | | | | | | | | | | | | | | | | | | | | 20 | 19 | - | | | | - | 16 |
| MX123 CONN ASSY 49 CKT BLK OPT9 KEY A/22 | 345769233 | C-HSG-A9 | G-CAP-9-P | TPA-A9 | RS | LS | MAL | CPA | MSEAL | RSEAL | - | - | - | - | 44 | 43 | 42 | 41 | - | 39 | 38 | - | - | 35 | SALEABLE | | 345750003 | | |
| | | | | | | | | | | | - | 33 | - | - | 30 | 29 | 28 | 27 | 26 | 25 | 24 | - | - | 21 | | | | | |
| | | | | | | | | | | | | | | | | | | | | | | - | - | 18 | | | | 17 | - |
| MX123 CONN ASSY 49 CKT BLK OPT9 KEY A/25 | 345769243 | C-HSG-A9 | G-CAP-9-P | TPA-A9 | RS | LS | MAL | CPA | MSEAL | RSEAL | - | - | - | - | 44 | 43 | 42 | 41 | - | 39 | 38 | - | - | 35 | SALEABLE | | 345750003 | | |
| | | | | | | | | | | | - | - | - | - | 30 | 29 | 28 | 27 | 26 | - | - | - | - | 21 | | | | | |
| | | | | | | | | | | | | | | | | | | | | | | - | - | 18 | | | | 17 | - |
| MX123 CONN ASSY 49 CKT BLK OPT9 KEY A/24 | 345769253 | C-HSG-A9 | G-CAP-9-P | TPA-A9 | RS | LS | MAL | CPA | MSEAL | RSEAL | - | - | - | - | 44 | 43 | 42 | 41 | - | 39 | 38 | - | - | 35 | SALEABLE | | 345750003 | | |
| | | | | | | | | | | | - | 33 | - | - | 30 | 29 | 28 | 27 | 26 | - | - | - | - | 21 | | | | | |
| | | | | | | | | | | | | | | | | | | | | | | - | - | 18 | | | | 17 | - |
| MX123 CONN ASSY 49 CKT BLK OPT9 KEY A/26 | 345769263 | C-HSG-A9 | G-CAP-9-P | TPA-A9 | RS | LS | MAL | CPA | MSEAL | RSEAL | - | - | - | - | 44 | 43 | 42 | 41 | - | 39 | 38 | - | - | 35 | SALEABLE | | 345750003 | | |
| | | | | | | | | | | | - | 33 | - | - | 30 | - | 28 | 27 | 26 | - | - | - | - | 21 | | | | | |
| | | | | | | | | | | | | | | | | | | | | | | - | - | 18 | | | | 17 | - |
| MX123 CONN ASSY 49 CKT BLK OPT9 KEY A/18 | 345769273 | C-HSG-A9 | G-CAP-9-P | TPA-A9 | RS | LS | MAL | CPA | MSEAL | RSEAL | 48 | 47 | 46 | 45 | 44 | 43 | 42 | 41 | 40 | 39 | - | 37 | 36 | - | SALEABLE | | 345750003 | | |
| | | | | | | | | | | | 34 | - | - | 31 | 30 | 29 | 28 | 27 | 26 | 25 | 24 | - | 22 | - | | | | | |
| | | | | | | | | | | | | | | | | | | | | | | 20 | 19 | - | | | | - | - |

| ASSEMBLY DESCRIPTION | ASSEMBLY PART NUMBER | CONNECTOR HOUSING | GROMMET CAP | TPA | RIGHT SLIDE | LEFT SLIDE | MATE ASSIST LEVER | CPA | MAT SEAL | RING SEAL | BLOCKED TERMINALS | | | | | | | | | | | | | | | | STATUS | COMMENTS | INTEGRAL COMPONENTS SOLD SEPARATELY DRESS COVER |
|--|----------------------|-------------------|-------------|--------|-------------|------------|-------------------|-----|----------|-----------|--|----|----|----|----|----|----|----|----|----|----|----|----|----|----------|----------|-----------|-----------|---|
| | | | | | | | | | | | CAVITY WITH A NUMBER INDICATES BLOCKED TERMINAL POSITION CAVITY WITHOUT A NUMBER INDICATES OPEN TERMINAL POSITION | | | | | | | | | | | | | | | | | | |
| MX123 CONN ASSY 49 CKT BLK OPT0 KEY A/29 | 345769283 | C-HSG-A0 | G-CAP-0-P | TPA-A0 | RS | LS | MAL | CPA | MSEAL | RSEAL | - | - | - | - | - | - | 42 | 41 | - | 39 | - | - | - | - | 35 | SALEABLE | | 345750003 | |
| | | | | | | | | | | | - | 33 | - | - | 30 | - | 28 | 27 | 26 | - | - | - | - | 21 | | | | | |
| | | | | | | | | | | | - | | | | | | | | | | | | | | | | | | |
| MX123 CONN ASSY 49 CKT BLU OPT9 KEY C/34 | 345769293 | C-HSG-C9 | G-CAP-9-P | TPA-C9 | RS | LS | MAL | CPA | MSEAL | RSEAL | - | - | - | - | - | - | 42 | - | - | - | - | - | - | - | - | SALEABLE | | 345750003 | |
| | | | | | | | | | | | - | - | - | 31 | - | 29 | 28 | 27 | 26 | 25 | - | - | 22 | - | | | | | |
| | | | | | | | | | | | - | | | | | | | | | | | | | | | | | | |
| MX123 CONN ASSY 49 CKT BLK OPT9 KEY A/23 | 345769303 | C-HSG-A9 | G-CAP-9-P | TPA-A9 | RS | LS | MAL | CPA | MSEAL | RSEAL | - | 47 | - | 45 | 44 | - | - | 41 | - | - | - | - | 37 | 36 | - | SALEABLE | | 345750003 | |
| | | | | | | | | | | | - | 33 | - | - | 30 | - | - | - | - | - | - | - | 22 | - | | | | | |
| | | | | | | | | | | | - | | | | | | | | | | | | | | | | | | |
| MX123 CONN ASSY 49 CKT BLU OPT9 KEY C/31 | 345769313 | C-HSG-C9 | G-CAP-9-P | TPA-C9 | RS | LS | MAL | CPA | MSEAL | RSEAL | 48 | - | 46 | - | - | 43 | 42 | 41 | - | - | - | - | - | 35 | SALEABLE | | 345750003 | | |
| | | | | | | | | | | | - | 33 | - | 31 | - | 29 | - | - | 26 | 25 | - | - | 22 | - | | | | | |
| | | | | | | | | | | | - | | | | | | | | | | | | | | | | | | |
| MX123 CONN ASSY 49 CKT BLK OPT0 KEY A/46 | 345769323 | C-HSG-A0 | G-CAP-0-P | TPA-A0 | RS | LS | MAL | CPA | MSEAL | RSEAL | - | - | - | - | - | - | - | - | - | - | - | - | - | - | - | SALEABLE | | 345750003 | |
| | | | | | | | | | | | - | | | | | | | | | | | | | | | | | | |
| | | | | | | | | | | | - | | | | | | | | | | | | | | | | | | |
| MX123 CONN ASSY 49 CKT BLK OPT9 KEY A/30 | 345769363 | C-HSG-A9 | G-CAP-9-P | TPA-A9 | RS | LS | MAL | CPA | MSEAL | RSEAL | - | - | - | - | - | - | 42 | 41 | - | - | 38 | - | - | 35 | SALEABLE | | 345750003 | | |
| | | | | | | | | | | | - | 33 | - | - | 30 | - | - | - | 26 | - | - | - | 21 | - | | | | | |
| | | | | | | | | | | | - | | | | | | | | | | | | | | | | | | |
| MX123 CONN ASSY 49 CKT BLK OPT0 KEY A/26 | 345769373 | C-HSG-A0 | G-CAP-0-P | TPA-A0 | RS | LS | MAL | CPA | MSEAL | RSEAL | - | - | - | - | 44 | 43 | 42 | 41 | - | 39 | 38 | - | - | 35 | SALEABLE | | 345750003 | | |
| | | | | | | | | | | | - | - | - | - | 30 | 29 | 28 | 27 | 26 | - | - | - | 21 | - | | | | | |
| | | | | | | | | | | | - | | | | | | | | | | | | | | | | | | |
| MX123 CONN ASSY 49 CKT BLU OPT0 KEY C/32 | 345769383 | C-HSG-C0 | G-CAP-0-P | TPA-C0 | RS | LS | MAL | CPA | MSEAL | RSEAL | - | - | 46 | - | - | 43 | 42 | - | - | - | - | - | - | 35 | SALEABLE | | 345750003 | | |
| | | | | | | | | | | | - | 33 | - | 31 | - | 29 | - | - | 26 | 25 | - | - | 22 | - | | | | | |
| | | | | | | | | | | | - | | | | | | | | | | | | | | | | | | |
| MX123 CONN ASSY 49 CKT BLK OPT9 KEY A/26 | 345769393 | C-HSG-A9 | G-CAP-9-P | TPA-A9 | RS | LS | MAL | CPA | MSEAL | RSEAL | - | 47 | - | 45 | 44 | - | 42 | 41 | 40 | - | - | 37 | - | - | SALEABLE | | 345750003 | | |
| | | | | | | | | | | | - | 33 | - | - | 30 | - | 28 | - | 26 | - | - | - | 22 | - | | | | | |
| | | | | | | | | | | | - | | | | | | | | | | | | | | | | | | |
| MX123 CONN ASSY 49 CKT BLK OPT9 KEY A/31 | 345769403 | C-HSG-A9 | G-CAP-9-P | TPA-A9 | RS | LS | MAL | CPA | MSEAL | RSEAL | - | - | - | - | - | - | 42 | 41 | - | 39 | - | - | - | 35 | SALEABLE | | 345750003 | | |
| | | | | | | | | | | | - | 33 | - | - | 30 | - | 28 | 27 | 26 | - | - | - | 21 | - | | | | | |
| | | | | | | | | | | | - | | | | | | | | | | | | | | | | | | |
| MX123 CONN ASSY 49 CKT BLU OPT0 KEY C/32 | 345769453 | C-HSG-C0 | G-CAP-0-P | TPA-C0 | RS | LS | MAL | CPA | MSEAL | RSEAL | - | - | 46 | - | - | 43 | - | - | - | - | - | - | - | 35 | SALEABLE | | 345750003 | | |
| | | | | | | | | | | | - | 33 | - | 31 | - | 29 | - | - | 26 | 25 | - | 23 | - | - | | | | | |
| | | | | | | | | | | | - | | | | | | | | | | | | | | | | | | |
| MX123 CONN ASSY 49 CKT BLK OPT9 KEY A/30 | 345769463 | C-HSG-A9 | G-CAP-9-P | TPA-A9 | RS | LS | MAL | CPA | MSEAL | RSEAL | - | - | - | - | - | - | 42 | 41 | - | 39 | 38 | - | - | 35 | SALEABLE | | 345750003 | | |
| | | | | | | | | | | | - | 33 | - | - | 30 | - | - | - | 26 | - | - | - | 21 | - | | | | | |
| | | | | | | | | | | | - | | | | | | | | | | | | | | | | | | |

| ASSEMBLY DESCRIPTION | ASSEMBLY PART NUMBER | CONNECTOR HOUSING | GROMMET CAP | TPA | RIGHT SLIDE | LEFT SLIDE | MATE ASSIST LEVER | CPA | MAT SEAL | RING SEAL | BLOCKED TERMINALS | | | | | | | | | | | | STATUS | COMMENTS | INTEGRAL COMPONENTS SOLD SEPARATELY DRESS COVER | | |
|--|----------------------|-------------------|-------------|--------|-------------|------------|-------------------|-----|----------|-----------|--|----|----|----|----|----|----|----|----|----|----|----|--------|----------|---|--|-----------|
| | | | | | | | | | | | CAVITY WITH A NUMBER INDICATES BLOCKED TERMINAL POSITION | | | | | | | | | | | | | | | | |
| | | | | | | | | | | | CAVITY WITHOUT A NUMBER INDICATES OPEN TERMINAL POSITION | | | | | | | | | | | | | | | | |
| MX123 CONN ASSY 49 CKT BLK OPT0 KEY A/27 | 345769493 | C-HSG-A0 | G-CAP-0-P | TPA-A0 | RS | LS | MAL | CPA | MSEAL | RSEAL | - | - | - | - | 44 | 43 | 42 | 41 | - | 39 | 38 | - | - | 35 | SALEABLE | | 345750003 |
| | | | | | | | | | | | - | - | - | - | 30 | - | 28 | 27 | 26 | - | - | - | - | 21 | | | |
| | | | | | | | | | | | - | | | | - | - | 18 | 17 | - | - | 14 | 13 | - | 11 | | | |
| | | | | | | | | | | | - | | | | - | - | 8 | 7 | 6 | - | 4 | 3 | - | - | | | |
| MX123 CONN ASSY 49 CKT BLK OPT0 KEY A/29 | 345769513 | C-HSG-A0 | G-CAP-0-P | TPA-A0 | RS | LS | MAL | CPA | MSEAL | RSEAL | - | 47 | - | 45 | 44 | - | - | - | 40 | - | - | 37 | 36 | - | SALEABLE | | 345750003 |
| | | | | | | | | | | | - | 33 | - | - | 30 | - | - | 27 | 26 | - | - | - | 22 | - | | | |
| | | | | | | | | | | | - | | | | - | - | 18 | 17 | - | - | 14 | 13 | 12 | - | | | |
| | | | | | | | | | | | - | | | | - | - | 8 | - | - | 5 | 4 | 3 | - | - | | | |
| MX123 CONN ASSY 49 CKT BLU OPT0 KEY C/30 | 345769523 | C-HSG-C0 | G-CAP-0-P | TPA-C0 | RS | LS | MAL | CPA | MSEAL | RSEAL | - | - | 46 | - | - | 43 | 42 | - | - | - | - | - | - | 35 | SALEABLE | | 345750003 |
| | | | | | | | | | | | - | 33 | - | 31 | - | 29 | 28 | 27 | 26 | 25 | - | - | 22 | - | | | |
| | | | | | | | | | | | - | | | | 20 | 19 | - | - | 16 | - | - | - | - | - | | | |
| | | | | | | | | | | | - | | | | 10 | - | 8 | - | - | - | 4 | - | 2 | - | | | |
| MX123 CONN ASSY 49 CKT BLK OPT0 KEY A/29 | 345769543 | C-HSG-A0 | G-CAP-0-P | TPA-A0 | RS | LS | MAL | CPA | MSEAL | RSEAL | - | - | - | - | - | - | 42 | 41 | - | - | 38 | - | - | 35 | SALEABLE | | 345750003 |
| | | | | | | | | | | | - | 33 | - | - | 30 | 29 | - | - | 26 | - | - | - | - | 21 | | | |
| | | | | | | | | | | | - | | | | - | - | 18 | 17 | - | 15 | 14 | 13 | - | 11 | | | |
| | | | | | | | | | | | - | | | | - | - | 8 | 7 | 6 | - | 4 | 3 | - | - | | | |



| UNCHECKED cavity number(s) are OPEN | | | | | | | | | | | | | |
|-------------------------------------|--------------------------|-------------------------------------|-------------------------------------|-------------------------------------|-------------------------------------|-------------------------------------|-------------------------------------|-------------------------------------|-------------------------------------|-------------------------------------|-------------------------------------|-------------------------------------|-------------------------------------|
| 56 | 55 | 54 | 53 | 52 | 51 | 50 | 49 | 48 | 47 | 46 | 45 | 44 | 43 |
| <input type="checkbox"/> | <input type="checkbox"/> | <input type="checkbox"/> | <input type="checkbox"/> | <input type="checkbox"/> | <input type="checkbox"/> | <input type="checkbox"/> | <input checked="" type="checkbox"/> | <input checked="" type="checkbox"/> | <input checked="" type="checkbox"/> | <input checked="" type="checkbox"/> | <input type="checkbox"/> | <input checked="" type="checkbox"/> | <input checked="" type="checkbox"/> |
| 42 | 41 | 40 | 39 | 38 | 37 | 36 | 35 | 34 | 33 | 32 | 31 | 30 | 29 |
| <input type="checkbox"/> | <input type="checkbox"/> | <input type="checkbox"/> | <input type="checkbox"/> | <input checked="" type="checkbox"/> | <input checked="" type="checkbox"/> | <input checked="" type="checkbox"/> | <input type="checkbox"/> | <input type="checkbox"/> | <input type="checkbox"/> | <input checked="" type="checkbox"/> | <input checked="" type="checkbox"/> | <input checked="" type="checkbox"/> | <input checked="" type="checkbox"/> |
| 28 | 27 | 26 | 25 | 24 | 23 | 22 | 21 | 20 | 19 | 18 | 17 | 16 | 15 |
| <input type="checkbox"/> | <input type="checkbox"/> | <input checked="" type="checkbox"/> | <input checked="" type="checkbox"/> | <input checked="" type="checkbox"/> | <input checked="" type="checkbox"/> | <input checked="" type="checkbox"/> | <input checked="" type="checkbox"/> | <input checked="" type="checkbox"/> | <input checked="" type="checkbox"/> | <input type="checkbox"/> | <input type="checkbox"/> | <input type="checkbox"/> | <input checked="" type="checkbox"/> |
| 14 | 13 | 12 | 11 | 10 | 9 | 8 | 7 | 6 | 5 | 4 | 3 | 2 | 1 |
| <input type="checkbox"/> | <input type="checkbox"/> | <input checked="" type="checkbox"/> | <input checked="" type="checkbox"/> | <input checked="" type="checkbox"/> | <input checked="" type="checkbox"/> | <input checked="" type="checkbox"/> | <input checked="" type="checkbox"/> | <input checked="" type="checkbox"/> | <input checked="" type="checkbox"/> | <input checked="" type="checkbox"/> | <input type="checkbox"/> | <input type="checkbox"/> | <input checked="" type="checkbox"/> |

FOR ADDITIONAL INFORMATION SEE SD-34576-001

| STATUS | GM PART # | HRNS CONN ASSY | | | TPA | | GROMMET CAP | | | | | | | | | | | | | | | | |
|----------------|-----------|----------------|-------------------|-----------------------|-------------------------|--|-------------|----|----|----|----|----|----|----|----|----|----|----|----|----|--|--|--|
| | | MATERIAL/PART | WIRE DRESS OPTION | KEY OPTION ▽ Fp | COLOR OPTION ▽ Fp | NUMBERS INDICATE CAVITIES OPEN FOR CIRCUITS ▽ Fp | | | | | | | | | | | | | | | | | |
| | | NUMBER | | | | | | | | | | | | | | | | | | | | | |
| SALEABLE | 12672838 | 34576-0103 | 0 | A | BLACK | | | | | | | | | | | | | | | | | | |
| CONCEPT ONLY | 12672840 | 34576-0203 | 0 | B | ST GRY | 48 | 47 | 46 | 45 | 44 | 43 | 42 | 41 | 40 | 39 | 38 | 37 | 36 | 35 | | | | |
| SALEABLE | 12672842 | 34576-0303 | 0 | C | BLUE | 34 | 33 | 32 | 31 | 30 | 29 | 28 | 27 | 26 | 25 | 24 | 23 | 22 | 21 | | | | |
| CONCEPT ONLY | TBD | 34576-0403 | 0 | D | BROWN | 49 | | | | | 20 | 19 | 18 | 17 | 16 | 15 | 14 | 13 | 12 | 11 | | | |
| CONCEPT ONLY | TBD | 34576-0503 | 0 | E | GREEN | 49 | | | | | 10 | 9 | 8 | 7 | 6 | 5 | 4 | 3 | 2 | 1 | | | |
| CONCEPT ONLY | TBD | 34576-0603 | 0 | F | NATURAL | | | | | | | | | | | | | | | | | | |
| SALEABLE | 12672848 | 34576-0703 | 0 | G | BLUE | | | | | | | | | | | | | | | | | | |
| SALEABLE | 12672846 | 34576-0803 | 0 | H | ST GRY | 56 | 55 | 54 | 53 | 52 | 51 | 50 | 49 | 48 | 47 | 46 | 45 | 44 | 43 | | | | |
| TOOL DES. REL. | 12672844 | 34576-0903 | 0 | J | BLACK | 42 | 41 | 40 | 39 | 38 | 37 | 36 | 35 | 34 | 33 | 32 | 31 | 30 | 29 | | | | |
| TOOL DES. REL. | TBD | 34576-1003 | 0 | K | BROWN | 28 | 27 | 26 | 25 | 24 | 23 | 22 | 21 | 20 | 19 | 18 | 17 | 16 | 15 | | | | |
| TOOL DES. REL. | TBD | 34576-1103 | 0 | L | GREEN | 14 | 13 | 12 | 11 | 10 | 9 | 8 | 7 | 6 | 5 | 4 | 3 | 2 | 1 | | | | |
| TOOL DES. REL. | TBD | 34576-1203 | 0 | M | NATURAL | | | | | | | | | | | | | | | | | | |
| SALEABLE | 12672839 | 34576-1303 | 9 | A | BLACK | | | | | | | | | | | | | | | | | | |
| CONCEPT ONLY | 12672841 | 34576-1403 | 9 | B | ST GRY | 48 | 47 | 46 | 45 | 44 | 43 | 42 | 41 | 40 | 39 | 38 | 37 | 36 | 35 | | | | |
| SALEABLE | 12672843 | 34576-1503 | 9 | C | BLUE | 34 | 33 | 32 | 31 | 30 | 29 | 28 | 27 | 26 | 25 | 24 | 23 | 22 | 21 | | | | |
| CONCEPT ONLY | TBD | 34576-1603 | 9 | D | BROWN | 49 | | | | | 20 | 19 | 18 | 17 | 16 | 15 | 14 | 13 | 12 | 11 | | | |
| CONCEPT ONLY | TBD | 34576-1703 | 9 | E | GREEN | 49 | | | | | 10 | 9 | 8 | 7 | 6 | 5 | 4 | 3 | 2 | 1 | | | |
| CONCEPT ONLY | TBD | 34576-1803 | 9 | F | NATURAL | | | | | | | | | | | | | | | | | | |
| SALEABLE | 12672849 | 34576-1903 | 9 | G | BLUE | | | | | | | | | | | | | | | | | | |



MX123 18/28/42/49/56-WAY RECEPTACLE ASSY SEALED PIN OUT SHEET

| STATUS | GM PART # | HRNS CONN ASSY | | | GROMMET CAP | | | | | | | | | | | | | | | |
|----------------|-----------|----------------|-------------------|-----------------------|-------------------------|--|----|----|----|----|----|----|----|----|----|----|----|----|----|--|
| | | MATERIAL/PART | WIRE DRESS OPTION | KEY OPTION ▽ Fp | COLOR OPTION ▽ Fp | NUMBERS INDICATE CAVITIES OPEN FOR CIRCUITS ▽ Fp | | | | | | | | | | | | | | |
| | | NUMBER | | | | | | | | | | | | | | | | | | |
| TOOL DES. REL. | 12672847 | 34576-2003 | 9 | H | ST GRY | 56 | 55 | 54 | 53 | 52 | 51 | 50 | 49 | 48 | 47 | 46 | 45 | 44 | 43 | |
| TOOL DES. REL. | 12672845 | 34576-2103 | 9 | J | BLACK | 42 | 41 | 40 | 39 | 38 | 37 | 36 | 35 | 34 | 33 | 32 | 31 | 30 | 29 | |
| TOOL DES. REL. | TBD | 34576-2203 | 9 | K | BROWN | 28 | 27 | 26 | 25 | 24 | 23 | 22 | 21 | 20 | 19 | 18 | 17 | 16 | 15 | |
| TOOL DES. REL. | TBD | 34576-2303 | 9 | L | GREEN | 14 | 13 | 12 | 11 | 10 | 9 | 8 | 7 | 6 | 5 | 4 | 3 | 2 | 1 | |
| TOOL DES. REL. | TBD | 34576-2403 | 9 | M | NATURAL | | | | | | | | | | | | | | | |
| SALEABLE | 12672834 | 34851-0007 | 0 | G | BLUE | | | | | | | | | | | | | | | |
| SALEABLE | 12672836 | 34851-0008 | 0 | H | ST GRY | | | | | | | | 17 | 16 | 15 | 14 | | | | |
| | | | | | | | | | | | | | 13 | 12 | 11 | 10 | | | | |
| | | | | | | | | | | | | | 9 | 8 | 7 | 6 | | | | |
| | | | | | | | | | | | | | 5 | 4 | 3 | 2 | | | | |
| | | | | | | | | | | | | | | | | | | | | |
| SALEABLE | 12672835 | 34851-0019 | 9 | G | BLUE | | | | | | | | | | | | | | | |
| SALEABLE | 12672837 | 34851-0020 | 9 | H | ST GRY | | | | | | | | 17 | 16 | 15 | 14 | | | | |
| | | | | | | | | | | | | | 13 | 12 | 11 | 10 | | | | |
| | | | | | | | | | | | | | 9 | 8 | 7 | 6 | | | | |
| | | | | | | | | | | | | | 5 | 4 | 3 | 2 | | | | |
| | | | | | | | | | | | | | | | | | | | | |
| CONCEPT ONLY | | 160095-0001 | 0 | A | BLACK | | | | | | | | | | | | | | | |
| CONCEPT ONLY | | 160095-0002 | 0 | B | ST GRY | | | | | | | | 26 | 25 | 24 | 23 | 22 | 21 | | |
| CONCEPT ONLY | | 160095-0003 | 0 | C | BLUE | | | | | | | | 20 | 19 | 18 | 17 | 16 | 15 | | |
| | | | | | | | | | | | | | | | | | | | | |
| | | | | | | | | | | | | | 14 | 13 | 12 | 11 | 10 | 9 | | |
| | | | | | | | | | | | | | 8 | 7 | 6 | 5 | 4 | 3 | | |
| | | | | | | | | | | | | | | | | | | | | |
| CONCEPT ONLY | | 160095-0013 | 9 | A | BLACK | | | | | | | | | | | | | | | |
| CONCEPT ONLY | | 160095-0014 | 9 | B | ST GRY | | | | | | | | 21 | 22 | 23 | 24 | 25 | 26 | | |
| CONCEPT ONLY | | 160095-0015 | 9 | C | BLUE | | | | | | | | 15 | 16 | 17 | 18 | 19 | 20 | | |
| | | | | | | | | | | | | | | | | | | | | |
| | | | | | | | | | | | | | 9 | 10 | 11 | 12 | 13 | 14 | | |
| | | | | | | | | | | | | | 3 | 4 | 5 | 6 | 7 | 8 | | |
| | | | | | | | | | | | | | | | | | | | | |
| CONCEPT ONLY | | 160051-0001 | 0 | A | BLACK | | | | | | | | | | | | | | | |
| CONCEPT ONLY | | 160051-0003 | 0 | C | | | 1 | 2 | 3 | 4 | 5 | 6 | 7 | 8 | 9 | 10 | | | | |
| | | | | | | | | | | | | | | | | | | | | |
| | | | | | | | | | | | | | 11 | 12 | 13 | 14 | | | | |
| | | | | | | | | | | | | | | | | | | | | |
| | | | | | | | | | | | | | 21 | 22 | 23 | 24 | 25 | 26 | | |
| | | | | | | | | | | | | | 31 | 32 | 33 | 34 | 35 | 36 | | |
| | | | | | | | | | | | | | | | | | | | | |
| CONCEPT ONLY | | 160051-0013 | 9 | A | BLACK | | | | | | | | | | | | | | | |



MX123 18/28/42/49/56-WAY RECEPTACLE ASSY SEALED PIN OUT SHEET

| STATUS | GM PART # | HRNS CONN ASSY | | | TPA GROMMET CAP | | | | | | | | | | | | | | |
|--------------|----------------|----------------|-------------------|-----------------------|-------------------------|--|----|----|----|----|----|----|----|----|----|----|----|----|----|
| | | MATERIAL/PART | WIRE DRESS OPTION | KEY OPTION ▽ Fp | COLOR OPTION ▽ Fp | NUMBERS INDICATE CAVITIES OPEN FOR CIRCUITS ▽ Fp | | | | | | | | | | | | | |
| | | NUMBER | | | | 40 | 39 | 38 | 37 | 36 | 35 | 34 | 33 | 32 | 31 | 41 | | | |
| CONCEPT ONLY | | 160051-0015 | 9 | C | BLUE | 30 | 29 | 28 | 27 | 26 | 25 | 24 | 23 | 22 | 21 | 41 | | | |
| | | | | | | 42 | | | | 20 | 19 | 18 | 17 | 16 | 15 | 14 | 13 | 12 | 11 |
| | | | | | | | | | | 10 | 9 | 8 | 7 | 6 | 5 | 4 | 3 | 2 | 1 |
| SALEABLE | NOT APPLICABLE | 34576-2503 | 0 | G | BLUE | 56 | 55 | 54 | 53 | | | | 49 | 48 | 47 | | | 44 | |
| | | | | | | | | 40 | | | | 37 | 36 | 35 | 34 | 33 | | | |
| | | | | | | | | | | | | | | 20 | 19 | 18 | | | |
| | | | | | | | | 13 | 12 | | | 9 | | 7 | 6 | | | | 2 |
| SALEABLE | NOT APPLICABLE | 34576-2603 | 0 | G | BLUE | 56 | 55 | 54 | 53 | | | | 49 | 48 | 47 | | | 44 | |
| | | | | | | | | 40 | | | | 37 | 36 | 35 | 34 | 33 | | | |
| | | | | | | | | | | | | | | 20 | 19 | 18 | | | |
| | | | | | | | | 13 | 12 | | | 9 | | 7 | 6 | | | | |
| SALEABLE | NOT APPLICABLE | 34576-2703 | 0 | G | BLUE | | | | | | | | | | | | | | |
| | | | | | | | | | | | | | | | | | | | |
| | | | | | | | | | | | | | | | | | | | |
| SALEABLE | NOT APPLICABLE | 34576-2803 | 0 | G | BLUE | | 55 | 54 | 53 | | | | 49 | 48 | 47 | | | 44 | |
| | | | | | | | | 40 | | | | 37 | 36 | 35 | 34 | 33 | | | |
| | | | | | | | | 26 | | | | | | 20 | 19 | 18 | | | |
| | | | | | | | | 13 | 12 | | | 9 | | 7 | | | | | |
| SALEABLE | NOT APPLICABLE | 34576-2903 | 0 | G | BLUE | 56 | 55 | | 53 | | | | 49 | 48 | 47 | 46 | 45 | 44 | |
| | | | | | | | | 40 | 39 | | | 37 | 36 | 35 | 34 | 33 | | | 30 |
| | | | | | | | | | 25 | | | | | 20 | 19 | 18 | | | |
| | | | | | | | | 13 | 12 | | | 9 | | 7 | | | | | |
| SALEABLE | NOT APPLICABLE | 34576-3003 | 0 | G | BLUE | 56 | 55 | 54 | 53 | | | | 49 | 48 | 47 | | | 44 | |
| | | | | | | | | 40 | | | | 37 | 36 | 35 | 34 | 33 | | | 29 |
| | | | | | | | | | | | | | | 20 | 19 | 18 | | | 16 |
| | | | | | | | | 13 | 12 | | | 9 | | 7 | 6 | | | | 2 |
| SALEABLE | NOT APPLICABLE | 34576-3103 | 0 | G | BLUE | 56 | 55 | 54 | 53 | | | | 49 | 48 | 47 | 46 | 45 | 44 | |
| | | | | | | | | 40 | 39 | | | 37 | 36 | 35 | 34 | 33 | | | |
| | | | | | | | | | | | | | | 20 | 19 | 18 | | | |
| | | | | | | | | 13 | 12 | | | 9 | | 7 | | | | | |
| SALEABLE | NOT APPLICABLE | 34576-3203 | 0 | G | BLUE | | 55 | 54 | 53 | | | | 49 | 48 | 47 | 46 | | 44 | |
| | | | | | | | | 40 | | | | 37 | 36 | 35 | 34 | 33 | 32 | 31 | |
| | | | | | | | | 26 | | | | | | 20 | 19 | 18 | | | |
| | | | | | | | | 13 | 12 | | | 9 | | 7 | | | | | |



MX123 18/28/42/49/56-WAY RECEPTACLE ASSY SEALED PIN OUT SHEET

| STATUS | GM PART # | HRNS CONN ASSY | | | TPA GROMMET CAP | | | | | | | | | | | | | | | | | | | | |
|----------|----------------|----------------|-------------------|-----------------------|-------------------------|--|----|----|----|----|----|----|----|----|----|----|----|----|----|----|----|----|----|----|----|
| | | MATERIAL/PART | WIRE DRESS OPTION | KEY OPTION ▽ Fp | COLOR OPTION ▽ Fp | NUMBERS INDICATE CAVITIES OPEN FOR CIRCUITS ▽ Fp | | | | | | | | | | | | | | | | | | | |
| | | NUMBER | | | | 56 | 55 | 54 | | | | | 49 | 48 | 47 | | | 44 | | | | | | | |
| SALEABLE | NOT APPLICABLE | 34576-3303 | 0 | G | BLUE | | | 40 | | | | 37 | 36 | 35 | 34 | 33 | | 20 | 19 | 18 | | | | | |
| | | | | | | | 13 | 12 | | | | 9 | | 7 | 6 | | | | | | | | | | |
| SALEABLE | NOT APPLICABLE | 34576-3403 | 0 | G | BLUE | | 55 | 54 | 53 | | | | | 49 | 48 | 47 | | | | | | | | 44 | |
| | | | | | | | | 40 | 39 | | | 37 | 36 | 35 | 34 | 33 | | | | | | | | | |
| | | | | | | | 13 | 12 | | | | 9 | | 7 | | | | | 20 | 19 | 18 | | | | |
| SALEABLE | NOT APPLICABLE | 34576-3503 | 0 | G | BLUE | 56 | 55 | | 53 | | | | | 49 | 48 | 47 | | | | | | | | 44 | |
| | | | | | | | | 40 | | | | 37 | 36 | 35 | 34 | 33 | | | | | 20 | 19 | 18 | | |
| | | | | | | | 13 | 12 | | | | 9 | | 7 | 6 | | | | | | | | | 2 | |
| SALEABLE | NOT APPLICABLE | 34576-3603 | 0 | G | BLUE | | 55 | 54 | 53 | | | | | 49 | 48 | 47 | | | | | | | | 44 | |
| | | | | | | | | 40 | | | | 37 | 36 | 35 | 34 | 33 | | | | | | | | | |
| | | | | | | | 13 | 12 | | | | 9 | | 7 | | | | | 20 | 19 | 18 | | | | |
| SALEABLE | NOT APPLICABLE | 34576-3703 | 0 | G | BLUE | 56 | 55 | 54 | 53 | | | | | 49 | 48 | 47 | | | | | | | | 44 | |
| | | | | | | | | 40 | | | | 37 | 36 | 35 | 34 | 33 | | | | | | | | 29 | |
| | | | | | | | | | | | | | | | 20 | 19 | 18 | | | | | | 16 | 15 | |
| | | | | | | | 13 | 12 | | | | 9 | | 7 | 6 | | | | | | | | 2 | | |
| SALEABLE | NOT APPLICABLE | 34576-3803 | 0 | G | BLUE | 56 | | 54 | 53 | | | | | 49 | | 47 | 46 | | | | | | 44 | | |
| | | | | | | | | 40 | 39 | | | 37 | 36 | 35 | | 33 | 32 | 31 | | | | | | 29 | |
| | | | | | | | | | 25 | | | | | | 20 | 19 | 18 | | | | | | | 15 | |
| | | | | | | | 13 | 12 | | | | 9 | | 7 | | | | | | | | | 2 | | |
| SALEABLE | NOT APPLICABLE | 34576-3903 | 0 | G | BLUE | 56 | | 54 | 53 | | | | | 49 | | 47 | | | | | | | 44 | | |
| | | | | | | | | 40 | 39 | | | 37 | 36 | 35 | | 33 | | | | | | | | 29 | |
| | | | | | | | | | 25 | | | | | | 20 | 19 | 18 | | | | | | | 15 | |
| | | | | | | | 13 | 12 | | | | 9 | | 7 | | | | | | | | | | | |
| SALEABLE | NOT APPLICABLE | 34576-4003 | 0 | G | BLUE | 56 | 55 | 54 | 53 | | | | | 49 | 48 | 47 | | | | | | | 45 | 44 | |
| | | | | | | | | 40 | 39 | | | 37 | 36 | 35 | 34 | 33 | | | | | | | | 29 | |
| | | | | | | | | | 25 | | | | | | 20 | 19 | 18 | | | | | | | 16 | 15 |
| | | | | | | | 13 | 12 | | | | 9 | | 7 | 6 | | | | | | | | | 1 | |
| SALEABLE | NOT APPLICABLE | 34576-4103 | 0 | G | BLUE | 56 | 55 | 54 | 53 | | | | | 49 | 48 | 47 | 46 | | | | | | 44 | | |
| | | | | | | | | 40 | 39 | 38 | 37 | 36 | 35 | 34 | 33 | 32 | 31 | | | | | | | 29 | |
| | | | | | | | | | 25 | | | | | | 20 | 19 | 18 | | | | | | | 16 | |
| | | | | | | | 13 | 12 | | | | 9 | | 7 | | | | | | | | | | | |



MX123 18/28/42/49/56-WAY RECEPTACLE ASSY SEALED PIN OUT SHEET

| STATUS | GM PART # | HRNS CONN ASSY | | | TPA GROMMET CAP | | | | | | | | | | | | | | | | | |
|----------|----------------|----------------|-------------------|------------------|--------------------|---|----|----|----|----|----|----|----|----|----|----|----|----|----|----|----|----|
| | | MATERIAL/PART | WIRE DRESS OPTION | KEY OPTION Fp | COLOR OPTION Fp | NUMBERS INDICATE CAVITIES OPEN FOR CIRCUITS Fp | | | | | | | | | | | | | | | | |
| | | NUMBER | | | | 56 | 55 | 54 | 53 | | | | 49 | 48 | 47 | | 45 | 44 | | | | |
| SALEABLE | NOT APPLICABLE | 34576-4203 | 0 | G | BLUE | | | 40 | 39 | | 37 | 36 | 35 | 34 | 33 | | 20 | 19 | 18 | | | |
| | | | | | | | 13 | 12 | | | 9 | | 7 | | | | | | | | | |
| SALEABLE | NOT APPLICABLE | 34576-4303 | 0 | G | BLUE | 56 | 55 | 54 | 53 | | 51 | | 49 | 48 | 47 | | | | | 45 | 44 | |
| | | | | | | | 41 | 40 | | 38 | 37 | 36 | 35 | 34 | 33 | | | | | | 30 | |
| | | | | | | | | 26 | 25 | 24 | | 22 | 21 | 20 | 19 | | | | 17 | | | |
| | | | | | | | 13 | 12 | | | 9 | | 7 | | | | 4 | 3 | | | | 1 |
| SALEABLE | NOT APPLICABLE | 34576-4403 | 0 | G | BLUE | 56 | 55 | 54 | 53 | | | | 49 | 48 | 47 | | 46 | | | 44 | | |
| | | | | | | | | 40 | 39 | | 37 | 36 | 35 | 34 | 33 | 32 | 31 | 32 | 31 | | | 29 |
| | | | | | | | | | 25 | | | | | 20 | 19 | 18 | | | | | 16 | |
| | | | | | | | | 12 | | | 9 | | 7 | | | | | | | | | |
| SALEABLE | NOT APPLICABLE | 34576-4503 | 0 | G | BLUE | 56 | 55 | | 53 | | | | 49 | 48 | 47 | | 46 | | | 44 | | |
| | | | | | | | | 40 | 39 | | 37 | 36 | 35 | 34 | 33 | 32 | 31 | 30 | | | | |
| | | | | | | | | | 25 | 24 | | 22 | 21 | 20 | 19 | 18 | | | | | 16 | |
| | | | | | | | 13 | 12 | | | 9 | | 7 | | | | 4 | | | | 2 | 1 |
| SALEABLE | NOT APPLICABLE | 34576-4603 | 0 | G | BLUE | 56 | 55 | 54 | 53 | | | | 49 | 48 | 47 | | 46 | | | 44 | | |
| | | | | | | | | 40 | 39 | | 37 | 36 | 35 | 34 | 33 | 32 | 31 | | | | 29 | |
| | | | | | | | | | 25 | | | | | 20 | 19 | 18 | | | | | 16 | |
| | | | | | | | 13 | 12 | | | 9 | | 7 | | | | | | | | | |
| SALEABLE | NOT APPLICABLE | 34576-4703 | 0 | G | BLUE | 56 | 55 | | 53 | | 51 | | 49 | 48 | 47 | | | | | 44 | | |
| | | | | | | | | 40 | 39 | | 37 | 36 | 35 | 34 | 33 | | | | | 30 | | |
| | | | | | | | | | 25 | | | 22 | 21 | 20 | 19 | 18 | | | | | 16 | 15 |
| | | | | | | | 13 | 12 | | | 9 | | 7 | | | | 4 | | | | 2 | 1 |
| SALEABLE | NOT APPLICABLE | 34576-4803 | 0 | G | BLUE | | 55 | | 53 | | 51 | | 49 | 48 | 47 | | | | | 44 | | |
| | | | | | | | | 40 | 39 | | 37 | 36 | 35 | 34 | 33 | | | | | | | 29 |
| | | | | | | | | 26 | | | | | | 20 | 19 | 18 | | | | | 16 | 15 |
| | | | | | | | 13 | 12 | | | 9 | | 7 | | | | 4 | | | | 2 | |
| SALEABLE | NOT APPLICABLE | 34576-4903 | 9 | G | BLUE | | 55 | 54 | 53 | | | | 49 | 48 | 47 | | 46 | | | 44 | | |
| | | | | | | | | 40 | | | 37 | 36 | 35 | 34 | 33 | 32 | 31 | | | | | |
| | | | | | | | | 26 | | | | | | 20 | 19 | 18 | | | | | | |
| | | | | | | | 13 | 12 | | | 9 | | 7 | | | | | | | | | |
| SALEABLE | NOT APPLICABLE | 34576-5003 | 0 | G | BLUE | | 55 | 54 | 53 | | | | 49 | 48 | 47 | | | | | 45 | 44 | |
| | | | | | | | | 40 | | | 37 | 36 | 35 | 34 | 33 | | | | | | | |
| | | | | | | | | 26 | | | | | | 20 | 19 | 18 | | | | | | |
| | | | | | | | 13 | 12 | | | 9 | | 7 | | | | | | | | | |



MX123 18/28/42/49/56-WAY RECEPTACLE ASSY SEALED PIN OUT SHEET

| STATUS | GM PART # | HRNS CONN ASSY | | | TPA GROMMET CAP | | | | | | | | | | | | | | | | | |
|----------------|----------------|----------------|-------------------|-----------------------|-------------------------|--|----|----|----|----|----|----|----|----|----|----|----|----|----|----|----|----|
| | | MATERIAL/PART | WIRE DRESS OPTION | KEY OPTION ▽ Fp | COLOR OPTION ▽ Fp | NUMBERS INDICATE CAVITIES OPEN FOR CIRCUITS ▽ Fp | | | | | | | | | | | | | | | | |
| | | NUMBER | | | | | | | | | | | | | | | | | | | | |
| SALEABLE | NOT APPLICABLE | 34576-5103 | 0 | G | BLUE | | 55 | | 53 | | 51 | | 49 | 48 | 47 | | | 44 | | | | |
| | | | | | | | | 40 | | 37 | 36 | 35 | 34 | 33 | | | | | | 16 | 29 | |
| | | | | | | | 13 | 12 | | 9 | | 7 | | 20 | 19 | 18 | | 4 | | | | 2 |
| SALEABLE | NOT APPLICABLE | 34576-5203 | 0 | G | BLUE | 56 | 55 | 54 | 53 | | | | 49 | 48 | 47 | | | 44 | | | | |
| | | | | | | | | 40 | 39 | | 37 | 36 | 35 | 34 | 33 | | | | | | | 29 |
| | | | | | | | 13 | 12 | | | 9 | | 7 | | 20 | 19 | 18 | | | | | |
| TOOL DES. REL. | NOT APPLICABLE | 34576-5303 | 9 | G | BLUE | | | | | | | | | | | | | | | | | |
| | | | | | | | | | | | | | | | | | | | | | | |
| | | | | | | | | | | | | | | | | | | | | | | |
| SALEABLE | NOT APPLICABLE | 34576-5403 | 0 | G | BLUE | | 55 | | 53 | | 51 | | 49 | 48 | 47 | | | 44 | | | | |
| | | | | | | | | 40 | 39 | | 37 | 36 | 35 | 34 | 33 | | | | | | 30 | |
| | | | | | | | 13 | 12 | | 9 | | 7 | | 22 | 21 | 20 | 19 | 18 | | | | 16 |
| SALEABLE | NOT APPLICABLE | 34576-5503 | 0 | G | BLUE | 56 | 55 | | 53 | | 51 | | 49 | 48 | 47 | | | 44 | | | | |
| | | | | | | | | 40 | 39 | | 37 | 36 | 35 | 34 | 33 | | | | | | 30 | |
| | | | | | | | 13 | 12 | | 9 | | 7 | | 22 | 21 | 20 | 19 | 18 | | | | 16 |
| SALEABLE | NOT APPLICABLE | 34576-5603 | 0 | G | BLUE | 56 | 55 | | 53 | | | | 49 | 48 | 47 | 46 | | 44 | | | | |
| | | | | | | | | 40 | 39 | | 37 | 36 | 35 | 34 | 33 | 32 | 31 | | | | 30 | |
| | | | | | | | 13 | 12 | | 9 | | 7 | | 22 | 21 | 20 | 19 | 18 | | | | 16 |
| SALEABLE | NOT APPLICABLE | 34576-5703 | 0 | G | BLUE | | 55 | | 53 | | | | 49 | 48 | 47 | 46 | | 44 | | | | |
| | | | | | | | | 40 | 39 | | 37 | 36 | 35 | 34 | 33 | 32 | 31 | | | | 30 | |
| | | | | | | | 13 | 12 | | 9 | | 7 | | 22 | 21 | 20 | 19 | 18 | | | | 16 |
| SALEABLE | NOT APPLICABLE | 34576-5803 | 0 | G | BLUE | | 55 | | 53 | | | | 49 | 48 | 47 | 46 | 45 | 44 | | | | |
| | | | | | | | | 40 | 39 | | 37 | 36 | 35 | 34 | 33 | | | | | | | |
| | | | | | | | 13 | 12 | | 9 | | 7 | | 20 | 19 | 18 | | | | | | |
| SALEABLE | NOT APPLICABLE | 34576-5903 | 0 | G | BLUE | 56 | | | 53 | 52 | | | | | 47 | | 45 | | 43 | | | |
| | | | | | | | 41 | 40 | 39 | 38 | | | | 34 | 33 | | 31 | 30 | | | 29 | |
| | | | | | | 28 | 27 | 26 | 25 | 24 | | | | 20 | 19 | 18 | | | | | 16 | |
| | | 13 | 12 | 11 | 10 | | | | | | | | | | | 3 | 2 | | | | | |



MX123 18/28/42/49/56-WAY RECEPTACLE ASSY SEALED PIN OUT SHEET

| STATUS | GM PART # | HRNS CONN ASSY | | | TPA GROMMET CAP | | | | | | | | | | | | | | | |
|----------|----------------|----------------|-------------------|-----------------------|-------------------------|--|----|----|----|----|----|----|----|----|----|----|----|----|----|----|
| | | MATERIAL/PART | WIRE DRESS OPTION | KEY OPTION ▽ Fp | COLOR OPTION ▽ Fp | NUMBERS INDICATE CAVITIES OPEN FOR CIRCUITS ▽ Fp | | | | | | | | | | | | | | |
| | | NUMBER | | | | 56 | | | 53 | 52 | | 50 | | | 47 | | 45 | | 43 | |
| SALEABLE | NOT APPLICABLE | 34576-6003 | 0 | G | BLUE | | | | | | | | | | | | | | | |
| | | | | | | | | 40 | 39 | 38 | | | | 34 | 33 | | 31 | 30 | 29 | |
| | | | | | | 28 | 27 | 26 | 25 | 24 | | | | 20 | 19 | 18 | | 16 | | |
| | | | | | | 14 | 13 | 12 | 11 | 10 | | | | | | 5 | 4 | 3 | 2 | |
| SALEABLE | NOT APPLICABLE | 34576-6103 | 0 | G | BLUE | 56 | 55 | 54 | 53 | | 51 | | 49 | 48 | 47 | | | | 44 | |
| | | | | | | | | 40 | 39 | | 37 | 36 | 35 | 34 | 33 | | | | | 29 |
| | | | | | | | | | | | | | | | 20 | 19 | 18 | | 16 | 15 |
| | | | | | | | 13 | 12 | | | 9 | | 7 | | | | 4 | | 2 | |
| SALEABLE | NOT APPLICABLE | 34576-6203 | 0 | G | BLUE | | 55 | 54 | 53 | | | | 49 | 48 | 47 | 46 | 45 | 44 | | |
| | | | | | | | | 40 | 39 | | 37 | 36 | 35 | 34 | 33 | | | | | |
| | | | | | | | | 26 | | | | | | | 20 | 19 | 18 | | | |
| | | | | | | | 13 | 12 | | | 9 | | 7 | | | | | | | |
| SALEABLE | NOT APPLICABLE | 34576-6303 | 0 | G | BLUE | | 55 | 54 | 53 | | 51 | | 49 | 48 | 47 | | | | 44 | |
| | | | | | | | | 40 | 39 | | 37 | 36 | 35 | 34 | 33 | | | | 29 | |
| | | | | | | | | 26 | | | | | | | 20 | 19 | 18 | | 16 | 15 |
| | | | | | | | 13 | 12 | | | 9 | | 7 | | | | 4 | | 2 | |
| SALEABLE | NOT APPLICABLE | 34576-6403 | 0 | G | BLUE | | 55 | 54 | | | | | 49 | 48 | 47 | | | | 44 | |
| | | | | | | | 41 | 40 | | | 37 | 36 | 35 | 34 | 33 | | | | | |
| | | | | | | | | | | | | | | | 20 | 19 | 18 | | | |
| | | | | | | | 13 | 12 | | | 9 | 8 | 7 | | | | | 3 | | |
| SALEABLE | NOT APPLICABLE | 34576-6503 | 0 | G | BLUE | | | 54 | | | | | | 47 | 46 | 45 | | | 43 | |
| | | | | | | | 41 | 40 | 39 | 38 | 37 | | | | 33 | 32 | 31 | 30 | 29 | |
| | | | | | | 28 | 27 | 26 | 25 | 24 | 23 | | | 20 | 19 | 18 | | 16 | | |
| | | | | | | | 13 | 12 | 11 | 10 | 9 | | | | | | | 3 | 2 | |
| SALEABLE | NOT APPLICABLE | 34576-6603 | 0 | G | BLUE | | | 54 | | | | | | 47 | 46 | 45 | | | 43 | |
| | | | | | | | 41 | 40 | 39 | 38 | 37 | | | 34 | 33 | 32 | 31 | 30 | 29 | |
| | | | | | | 28 | 27 | 26 | 25 | 24 | 23 | | | 20 | 19 | 18 | | 16 | | |
| | | | | | | | 13 | 12 | 11 | 10 | 9 | | | | | | | 3 | 2 | |
| SALEABLE | NOT APPLICABLE | 34576-6703 | 0 | G | BLUE | | | | | 52 | 51 | | | 48 | | 46 | 45 | | 43 | |
| | | | | | | | 41 | 40 | 39 | 38 | | | | | 33 | 32 | 31 | 30 | 29 | |
| | | | | | | 28 | | 26 | 25 | 24 | | | | 20 | 19 | 18 | | 16 | 15 | |
| | | | | | | | 13 | 12 | 11 | 10 | | | | | | | | 3 | 2 | 1 |
| SALEABLE | NOT APPLICABLE | 34576-6803 | 0 | G | BLUE | | | | | 52 | | | | 48 | | 46 | 45 | | 43 | |
| | | | | | | | 41 | 40 | 39 | 38 | | | | | 33 | 32 | 31 | 30 | 29 | |
| | | | | | | 28 | | 26 | 25 | 24 | | | | 20 | 19 | 18 | | 16 | 15 | |
| | | | | | | | 13 | 12 | 11 | 10 | | | | | | | | 3 | 2 | 1 |



MX123 18/28/42/49/56-WAY RECEPTACLE ASSY SEALED PIN OUT SHEET

| STATUS | GM PART # | HRNS CONN ASSY | | | TPA GROMMET CAP | | | | | | | | | | | | | | | | | |
|----------|----------------|----------------|-------------------|-----------------------|-------------------------|--|----|----|----|--|----|----|----|--|----|--|--|----|--|--|--|--|
| | | MATERIAL/PART | WIRE DRESS OPTION | KEY OPTION ▽ Fp | COLOR OPTION ▽ Fp | NUMBERS INDICATE CAVITIES OPEN FOR CIRCUITS ▽ Fp | | | | | | | | | | | | | | | | |
| | | NUMBER | | | | 56 | 55 | 54 | 53 | | 51 | 50 | 49 | | 47 | | | 44 | | | | |
| SALEABLE | NOT APPLICABLE | 34576-6813 | 0 | G | BLUE | | | | | | | | | | | | | | | | | |
| | | | | | | | | | | | | | | | | | | | | | | |
| | | | | | | | | | | | | | | | | | | | | | | |
| SALEABLE | NOT APPLICABLE | 34576-6823 | 0 | G | BLUE | | | | | | | | | | | | | | | | | |
| | | | | | | | | | | | | | | | | | | | | | | |
| | | | | | | | | | | | | | | | | | | | | | | |
| SALEABLE | NOT APPLICABLE | 34576-6833 | 0 | G | BLUE | | | | | | | | | | | | | | | | | |
| | | | | | | | | | | | | | | | | | | | | | | |
| | | | | | | | | | | | | | | | | | | | | | | |
| SALEABLE | NOT APPLICABLE | 34576-6843 | 0 | G | BLUE | | | | | | | | | | | | | | | | | |
| | | | | | | | | | | | | | | | | | | | | | | |
| | | | | | | | | | | | | | | | | | | | | | | |
| SALEABLE | NOT APPLICABLE | 34576-6853 | 0 | G | BLUE | | | | | | | | | | | | | | | | | |
| | | | | | | | | | | | | | | | | | | | | | | |
| | | | | | | | | | | | | | | | | | | | | | | |
| SALEABLE | NOT APPLICABLE | 34576-6863 | 0 | G | BLUE | | | | | | | | | | | | | | | | | |
| | | | | | | | | | | | | | | | | | | | | | | |
| | | | | | | | | | | | | | | | | | | | | | | |
| SALEABLE | NOT APPLICABLE | 34576-6873 | 0 | G | BLUE | | | | | | | | | | | | | | | | | |
| | | | | | | | | | | | | | | | | | | | | | | |
| | | | | | | | | | | | | | | | | | | | | | | |
| SALEABLE | NOT APPLICABLE | 34576-6883 | 0 | G | BLUE | | | | | | | | | | | | | | | | | |
| | | | | | | | | | | | | | | | | | | | | | | |
| | | | | | | | | | | | | | | | | | | | | | | |
| SALEABLE | NOT APPLICABLE | 34576-6893 | 0 | G | BLUE | | | | | | | | | | | | | | | | | |
| | | | | | | | | | | | | | | | | | | | | | | |
| | | | | | | | | | | | | | | | | | | | | | | |



MX123 18/28/42/49/56-WAY RECEPTACLE ASSY SEALED PIN OUT SHEET

| STATUS | GM PART # | HRNS CONN ASSY | | | TPA GROMMET CAP | | | | | | | | | | | | | | | | |
|----------------|----------------|----------------|-------------------|-----------------------|-------------------------|--|----|----|----|----|----|----|----|----|----|----|----|----|----|----|----|
| | | MATERIAL/PART | WIRE DRESS OPTION | KEY OPTION ▽ Fp | COLOR OPTION ▽ Fp | NUMBERS INDICATE CAVITIES OPEN FOR CIRCUITS ▽ Fp | | | | | | | | | | | | | | | |
| | | NUMBER | | | | | | | | | | | | | | | | | | | |
| SALEABLE | NOT APPLICABLE | 34576-6913 | 9 | G | BLUE | | | 54 | 53 | | | | | | | 47 | 46 | 45 | | 43 | |
| | | | | | | | 41 | 40 | | 38 | | | | | | 33 | 32 | 31 | 30 | 29 | |
| | | | | | | 28 | 27 | 26 | 25 | 24 | | | | 20 | 19 | 18 | | 3 | 2 | | |
| SALEABLE | NOT APPLICABLE | 34576-6923 | 9 | G | BLUE | | | 54 | 53 | | | | | | | 47 | 46 | 45 | | 43 | |
| | | | | | | | 41 | 40 | 39 | 38 | | | | | | 33 | 32 | 31 | 30 | 29 | |
| | | | | | | 28 | 27 | 26 | 25 | 24 | 23 | | | 20 | 19 | 18 | | | 3 | 2 | |
| TOOL DES. REL. | NOT APPLICABLE | 34851-0025 | 0 | G | BLUE | 18 | | | | | | | | | | | 1 | | | | |
| | | | | | | | | | | | | | | | | | | | | | |
| | | | | | | | | | | | | | | | | | | | | | |
| TOOL DES. REL. | NOT APPLICABLE | 34851-0026 | 0 | H | ST GRY | 18 | | | | | | | | | | | 1 | | | | |
| | | | | | | | | | | | | | | | | | | | | | |
| | | | | | | | | | | | | | | | | | | | | | |
| SALEABLE | NOT APPLICABLE | 34576-6933 | 0 | G | BLUE | | 55 | 54 | 53 | | | | | 49 | 48 | 47 | 46 | 45 | 44 | | |
| | | | | | | | | 40 | | | | 37 | 36 | 35 | 34 | 33 | | | | | |
| | | | | | | | | 26 | | | | | | | 20 | 19 | 18 | | | | |
| SALEABLE | NOT APPLICABLE | 34576-6943 | 0 | G | BLUE | | | 54 | 53 | | | | | | | 47 | 46 | 45 | | 43 | |
| | | | | | | | 41 | 40 | | 38 | | | | | | 33 | 32 | 31 | 30 | 29 | |
| | | | | | | 28 | 27 | 26 | 25 | 24 | | | | 20 | 19 | 18 | | | 3 | 2 | |
| SALEABLE | NOT APPLICABLE | 34576-6953 | 0 | G | BLUE | | | 54 | 53 | | | | | | | 47 | 46 | 45 | | 43 | |
| | | | | | | | 41 | 40 | 39 | 38 | | | | | | 33 | 32 | 31 | 30 | 29 | |
| | | | | | | 28 | 27 | 26 | 25 | 24 | 23 | | | 20 | 19 | 18 | | | | 3 | 2 |
| SALEABLE | NOT APPLICABLE | 34576-6963 | 0 | G | BLUE | | 56 | | 54 | 53 | 52 | | | | | 47 | 46 | 45 | | 43 | |
| | | | | | | | | 41 | 40 | 39 | 38 | | | | 34 | 33 | 32 | 31 | 30 | 29 | |
| | | | | | | 28 | 27 | 26 | 25 | 24 | 23 | | | 20 | 19 | 18 | | | | 3 | 2 |
| SALEABLE | NOT APPLICABLE | 34576-6973 | 0 | G | BLUE | | 56 | | | | 52 | 51 | 50 | | | | | | | 43 | |
| | | | | | | | 42 | 41 | | 39 | 38 | | | | | | | 32 | 31 | 30 | 29 |
| | | | | | | 28 | 27 | | 25 | 24 | 23 | 22 | 21 | | | | | 17 | 16 | 15 | |
| | 14 | | | 11 | 10 | | | 8 | | | 6 | 5 | 4 | 3 | 2 | 1 | | | | | |



MX123 18/28/42/49/56-WAY RECEPTACLE ASSY SEALED PIN OUT SHEET

| STATUS | GM PART # | HRNS CONN ASSY | | | TPA GROMMET CAP | | | | | | | | | | | | | | | | | | |
|----------|----------------|----------------|-------------------|-----------------------|-------------------------|--|----|----|----|----|----|----|----|----|----|----|----|----|----|----|----|--|--|
| | | MATERIAL/PART | WIRE DRESS OPTION | KEY OPTION ▽ Fp | COLOR OPTION ▽ Fp | NUMBERS INDICATE CAVITIES OPEN FOR CIRCUITS ▽ Fp | | | | | | | | | | | | | | | | | |
| | | NUMBER | | | | | | | | | | | | | | | | | | | | | |
| SALEABLE | NOT APPLICABLE | 34576-6983 | 0 | G | BLUE | | | 54 | 53 | | | | | | | | | 46 | | 44 | | | |
| | | | | | | | | 40 | 39 | 38 | 37 | 36 | | | | | | 32 | 31 | 30 | | | |
| | | | | | | | | | 25 | 24 | 23 | 22 | 21 | 20 | 19 | | | | | | | | |
| SALEABLE | NOT APPLICABLE | 34576-6993 | 0 | G | BLUE | 56 | 55 | 54 | 53 | 52 | 51 | | | | | | 47 | 46 | 45 | | 43 | | |
| | | | | | | | 41 | 40 | | 38 | | | | | | 33 | 32 | 31 | 30 | 29 | | | |
| | | | | | | 28 | 27 | 26 | 25 | 24 | | | | | 20 | 19 | 18 | | 16 | | | | |
| SALEABLE | NOT APPLICABLE | 34576-7003 | 0 | G | BLUE | | | 54 | | 52 | 51 | | | | | | 47 | 46 | 45 | | 43 | | |
| | | | | | | | 41 | 40 | | 38 | | | | | | 33 | 32 | 31 | 30 | 29 | | | |
| | | | | | | 28 | 27 | 26 | 25 | 24 | | | | | 20 | 19 | 18 | | 16 | | | | |
| SALEABLE | NOT APPLICABLE | 34576-7013 | 0 | G | BLUE | | | 54 | 53 | 52 | 51 | | | | | | 47 | 46 | 45 | | 43 | | |
| | | | | | | | 41 | 40 | | 38 | | | | | 34 | 33 | 32 | 31 | 30 | 29 | | | |
| | | | | | | 28 | 27 | 26 | 25 | 24 | | | | | 20 | 19 | 18 | | 16 | | | | |
| SALEABLE | NOT APPLICABLE | 34576-7023 | 0 | G | BLUE | | | 54 | | 52 | 51 | | | | | | 47 | 46 | 45 | | 43 | | |
| | | | | | | | 41 | 40 | | 38 | | | | | 34 | 33 | 32 | 31 | 30 | 29 | | | |
| | | | | | | 28 | 27 | 26 | 25 | 24 | | | | | 20 | 19 | 18 | | 16 | | | | |
| SALEABLE | NOT APPLICABLE | 34576-7033 | 0 | G | BLUE | | | 54 | 53 | 52 | | | | | | | 47 | 46 | 45 | | 43 | | |
| | | | | | | | 41 | 40 | | 38 | | | | | | 33 | 32 | 31 | 30 | 29 | | | |
| | | | | | | 28 | 27 | 26 | 25 | 24 | | | | | 20 | 19 | 18 | | 16 | | | | |
| SALEABLE | NOT APPLICABLE | 34576-7043 | 0 | G | BLUE | | | 54 | | 52 | | | | | | | 47 | 46 | 45 | | 43 | | |
| | | | | | | | 41 | 40 | | 38 | | | | | | 33 | 32 | 31 | 30 | 29 | | | |
| | | | | | | 28 | 27 | 26 | 25 | 24 | | | | | 20 | 19 | 18 | | 16 | | | | |
| SALEABLE | NOT APPLICABLE | 34576-7053 | 0 | G | BLUE | | | 54 | 53 | 52 | | | | | | | 47 | 46 | 45 | | 43 | | |
| | | | | | | | 41 | 40 | | 38 | | | | | 34 | 33 | 32 | 31 | 30 | 29 | | | |
| | | | | | | 28 | 27 | 26 | 25 | 24 | | | | | 20 | 19 | 18 | | 16 | | | | |
| SALEABLE | NOT APPLICABLE | 34576-7063 | 0 | G | BLUE | | | 54 | | 52 | | | | | | | 47 | 46 | 45 | | 43 | | |
| | | | | | | | 41 | 40 | | 38 | | | | | 34 | 33 | 32 | 31 | 30 | 29 | | | |
| | | | | | | 28 | 27 | 26 | 25 | 24 | | | | | 20 | 19 | 18 | | 16 | | | | |
| | | | | | | | | 13 | 12 | 11 | 10 | | 8 | | | | | 3 | 2 | | | | |



MX123 18/28/42/49/56-WAY RECEPTACLE ASSY SEALED PIN OUT SHEET

| STATUS | GM PART # | HRNS CONN ASSY | | | TPA GROMMET CAP | | | | | | | | | | | | | | | |
|----------|----------------|----------------|-------------------|-----------------------|-------------------------|--|----|----|----|----|----|----|----|----|----|----|----|----|----|----|
| | | MATERIAL/PART | WIRE DRESS OPTION | KEY OPTION ▽ Fp | COLOR OPTION ▽ Fp | NUMBERS INDICATE CAVITIES OPEN FOR CIRCUITS ▽ Fp | | | | | | | | | | | | | | |
| | | NUMBER | | | | | | | | | | | | | | | | | | |
| SALEABLE | NOT APPLICABLE | 34576-7073 | 0 | G | BLUE | | | 54 | 53 | 52 | | | | | 47 | 46 | 45 | | 43 | |
| | | | | | | | 41 | 40 | | 38 | | | | | 33 | 32 | 31 | 30 | 29 | |
| | | | | | | 28 | 27 | 26 | 25 | 24 | | | | 20 | 19 | 18 | | 16 | | |
| | | | | | | | 13 | 12 | 11 | 10 | | 8 | | | | | | 3 | 2 | |
| SALEABLE | NOT APPLICABLE | 34576-7083 | 0 | G | BLUE | | | 54 | 53 | 52 | | | | | 47 | 46 | 45 | | 43 | |
| | | | | | | | 41 | 40 | | 38 | | | | 34 | 33 | 32 | 31 | 30 | 29 | |
| | | | | | | 28 | 27 | 26 | 25 | 24 | | | | 20 | 19 | 18 | | 16 | | |
| | | | | | | | 13 | 12 | 11 | 10 | | 8 | | | | | | 3 | 2 | |
| SALEABLE | NOT APPLICABLE | 34576-7093 | 0 | G | BLUE | | | 54 | 53 | | | | | | 47 | 46 | 45 | | 43 | |
| | | | | | | | 41 | 40 | | 38 | | | | | 33 | 32 | 31 | 30 | 29 | |
| | | | | | | 28 | 27 | 26 | 25 | 24 | | | | 20 | 19 | 18 | | 16 | | |
| | | | | | | | 13 | 12 | 11 | 10 | | 8 | | | | | | 3 | 2 | |
| SALEABLE | NOT APPLICABLE | 34576-7103 | 0 | G | BLUE | 56 | 55 | | | 52 | 51 | 50 | 49 | 48 | 47 | | 45 | | 43 | |
| | | | | | | 42 | 41 | | | | | | 35 | 34 | 33 | | | | 29 | |
| | | | | | | 28 | 27 | 26 | | | | | | | | | 18 | 17 | 16 | 15 |
| | | | | | | 14 | 13 | 12 | | | | | | | | | | 3 | | 1 |
| SALEABLE | NOT APPLICABLE | 34576-7113 | 0 | G | BLUE | | | 54 | | | | | | | 47 | 46 | 45 | | 43 | |
| | | | | | | | 41 | 40 | | 38 | | | | | 33 | 32 | 31 | 30 | 29 | |
| | | | | | | 28 | 27 | 26 | 25 | 24 | | | | 20 | 19 | 18 | | 16 | | |
| | | | | | | | 13 | 12 | 11 | 10 | | 8 | | | | | | 3 | 2 | |
| SALEABLE | NOT APPLICABLE | 34576-7123 | 0 | G | BLUE | 56 | 55 | | | 52 | 51 | 50 | 49 | 48 | 47 | | 45 | | 43 | |
| | | | | | | 42 | 41 | | | | | | 35 | 34 | 33 | | | | 29 | |
| | | | | | | 28 | 27 | 26 | | | | | | | | | 18 | | 16 | 15 |
| | | | | | | 14 | 13 | 12 | | | | | | | | | | 3 | | 1 |
| SALEABLE | NOT APPLICABLE | 34576-7133 | 9 | G | BLUE | 56 | | 54 | 53 | 52 | | | | | 47 | 46 | 45 | | 43 | |
| | | | | | | | 41 | 40 | 39 | 38 | | | | | 34 | 33 | 32 | 31 | 30 | 29 |
| | | | | | | 28 | 27 | 26 | 25 | 24 | 23 | | | 20 | 19 | 18 | | 16 | | |
| | | | | | | | 13 | 12 | 11 | 10 | 9 | 8 | | | | | | 3 | 2 | |
| SALEABLE | NOT APPLICABLE | 34576-7143 | 9 | G | BLUE | 56 | 55 | 54 | 53 | 52 | 51 | | | | 47 | 46 | 45 | | 43 | |
| | | | | | | | 41 | 40 | | 38 | | | | 34 | 33 | 32 | 31 | 30 | 29 | |
| | | | | | | 28 | 27 | 26 | 25 | 24 | | | | 20 | 19 | 18 | | 16 | | |
| | | | | | | | 13 | 12 | 11 | 10 | | 8 | | | | | | 3 | 2 | |
| SALEABLE | NOT APPLICABLE | 34576-7153 | 9 | G | BLUE | 56 | | 54 | 53 | 52 | | | 49 | | 47 | 46 | 45 | | 43 | |
| | | | | | | | 41 | 40 | 39 | 38 | | | | 34 | 33 | 32 | 31 | 30 | 29 | |
| | | | | | | 28 | 27 | 26 | 25 | 24 | 23 | | | 20 | 19 | 18 | | 16 | | |
| | | | | | | | 13 | 12 | 11 | 10 | 9 | 8 | | | | | | 3 | 2 | |



MX123 18/28/42/49/56-WAY RECEPTACLE ASSY SEALED PIN OUT SHEET

| STATUS | GM PART # | HRNS CONN ASSY | | | TPA GROMMET CAP | | | | | | | | | | | | | | | | | | |
|----------|----------------|----------------|-------------------|-----------------------|-------------------------|--|----|----|----|----|----|----|----|----|----|----|----|----|----|----|---|----|----|
| | | MATERIAL/PART | WIRE DRESS OPTION | KEY OPTION ▽ Fp | COLOR OPTION ▽ Fp | NUMBERS INDICATE CAVITIES OPEN FOR CIRCUITS ▽ Fp | | | | | | | | | | | | | | | | | |
| | | NUMBER | | | | | | | | | | | | | | | | | | | | | |
| SALEABLE | NOT APPLICABLE | 34576-7163 | 0 | G | BLUE | | | | 53 | | | | 49 | | 47 | 46 | 45 | 44 | | | | | |
| | | | | | | | | 40 | | | 37 | 36 | 35 | | 33 | | | | | | | | |
| | | | | | | | | 26 | | | | | | 20 | 19 | 18 | | | | | | | |
| SALEABLE | NOT APPLICABLE | 34576-7173 | 9 | G | BLUE | | | 13 | 12 | | | 9 | | 7 | | | | | | | | | |
| | | | | | | | 55 | | | 52 | 51 | | | 48 | | 46 | 45 | | | | | 43 | |
| | | | | | | | 41 | 40 | | 38 | | | | | 33 | 32 | 31 | 30 | 29 | | | | |
| SALEABLE | NOT APPLICABLE | 34576-7183 | 0 | G | BLUE | | | 28 | | 26 | | 24 | | | 20 | 19 | 18 | | 16 | 15 | | | |
| | | | | | | | 13 | 12 | | 10 | | | | | | | | | 3 | 2 | 1 | | |
| | | | | | | 56 | 55 | | 40 | 39 | | 37 | 36 | 35 | 34 | 33 | 32 | 31 | 30 | | | 44 | |
| SALEABLE | NOT APPLICABLE | 34576-7193 | 9 | G | BLUE | | | | | 25 | 24 | | 22 | 21 | 20 | 19 | 18 | | 16 | | | | |
| | | | | | | | 13 | 12 | | | 9 | | 7 | | | | | 4 | | 2 | 1 | | |
| | | | | | | 56 | 55 | 54 | 53 | 52 | | | | | 47 | 46 | 45 | | | | | 44 | |
| SALEABLE | NOT APPLICABLE | 34576-7203 | 0 | G | BLUE | | | | | | | | | | | | | | | | | | |
| | | | | | | | 41 | 40 | | 38 | | | | 34 | 33 | 32 | 31 | 30 | 29 | | | | |
| | | | | | | 28 | 27 | 26 | 25 | 24 | | | | 20 | 19 | 18 | | | | | | 16 | |
| SALEABLE | NOT APPLICABLE | 34576-7213 | 0 | G | BLUE | | | | | | | | | | | | | | | | | | |
| | | | | | | | 13 | 12 | 11 | 10 | | 8 | | | | | | 3 | 2 | | | | |
| | | | | | | 56 | 55 | 54 | 53 | 52 | 51 | 50 | 49 | 48 | 47 | 46 | 45 | | | | | 44 | |
| SALEABLE | NOT APPLICABLE | 34576-7223 | 0 | G | BLUE | | | | | | | | | | | | | | | | | | |
| | | | | | | | 42 | 41 | | | | | | 35 | 34 | 33 | | 31 | | | | | 29 |
| | | | | | | 28 | 27 | 26 | 25 | 24 | | | | 21 | 20 | 19 | 18 | | | | | 16 | 15 |
| SALEABLE | NOT APPLICABLE | 34576-7223 | 0 | G | BLUE | | | | | | | | | | | | | | | | | | |
| | | | | | | | 14 | 13 | 12 | | | | | | | | | 4 | 3 | | | | 1 |
| | | | | | | | | | 54 | 53 | | | | | | | | 47 | 46 | 45 | | | |
| SALEABLE | NOT APPLICABLE | 34576-7233 | 0 | G | BLUE | | | | | | | | | | | | | | | | | | |
| | | | | | | | | | | | | | | | | | | | | | | | |
| | | | | | | | | | | | | | | | | | | | | | | | |
| SALEABLE | NOT APPLICABLE | 34576-7243 | 0 | G | BLUE | | | | | | | | | | | | | | | | | | |
| | | | | | | | | | | | | | | | | | | | | | | | |
| | | | | | | | | | | | | | | | | | | | | | | | |
| SALEABLE | NOT APPLICABLE | 34576-7243 | 0 | G | BLUE | | | | | | | | | | | | | | | | | | |
| | | | | | | | | | | | | | | | | | | | | | | | |
| | | | | | | | | | | | | | | | | | | | | | | | |



MX123 18/28/42/49/56-WAY RECEPTACLE ASSY SEALED PIN OUT SHEET

| STATUS | GM PART # | HRNS CONN ASSY | | | TPA GROMMET CAP | | | | | | | | | | | | | | | | | | | | |
|----------|----------------|----------------|-------------------|-----------------------|-------------------------|--|----|----|----|----|----|----|----|----|----|----|----|----|----|----|----|--|--|--|--|
| | | MATERIAL/PART | WIRE DRESS OPTION | KEY OPTION ▽ Fp | COLOR OPTION ▽ Fp | NUMBERS INDICATE CAVITIES OPEN FOR CIRCUITS ▽ Fp | | | | | | | | | | | | | | | | | | | |
| | | NUMBER | | | | | | | | | | | | | | | | | | | | | | | |
| SALEABLE | NOT APPLICABLE | 34851-0027 | 0 | G | BLUE | 18 | | | | | | | | | 1 | | | | | | | | | | |
| | | | | | | | | | | | | | 9 | | 7 | | 6 | | | | | | | | |
| | | | | | | | | | | | | | 5 | | 3 | | 2 | | | | | | | | |
| SALEABLE | NOT APPLICABLE | 34851-0028 | 0 | H | ST GRAY | 18 | | | | | | | 17 | 16 | 15 | 14 | 1 | | | | | | | | |
| | | | | | | | | | | | | | | | | | 10 | | | | | | | | |
| | | | | | | | | | | | | | | | | | 6 | | | | | | | | |
| | | | | | | | | | | | 5 | 4 | | | 3 | 2 | | | | | | | | | |
| SALEABLE | NOT APPLICABLE | 34576-7253 | 0 | G | BLUE | 56 | | 54 | 53 | 52 | | | | | | | 47 | 46 | 45 | | 43 | | | | |
| | | | | | | | 41 | 40 | 39 | 38 | | | | | | | 33 | 32 | 31 | 30 | 29 | | | | |
| | | | | | | 28 | 27 | 26 | 25 | 24 | 23 | | | | | 20 | 19 | 18 | | 16 | | | | | |
| | | | | | | | 13 | 12 | 11 | 10 | 9 | 8 | | | | | | | 3 | 2 | | | | | |
| SALEABLE | NOT APPLICABLE | 34576-7263 | 0 | G | BLUE | 56 | 55 | 54 | 53 | 52 | 51 | 50 | | | | | | | 45 | | 43 | | | | |
| | | | | | | 42 | 41 | 40 | 39 | | | | | | 35 | 34 | 33 | | | | | | | | |
| | | | | | | 28 | 27 | | | | | | | | | | | 18 | | 16 | | | | | |
| | | | | | | 14 | 13 | | | | | | | | | | | | 3 | 2 | | | | | |
| SALEABLE | NOT APPLICABLE | 34576-7273 | 0 | G | BLUE | 56 | 55 | 54 | 53 | 52 | 51 | 50 | | | | | | | 45 | | | | | | |
| | | | | | | 42 | 41 | 40 | 39 | | | | | | 35 | 34 | 33 | | | | | | | | |
| | | | | | | 28 | 27 | | | | | | | | | | | 18 | | 16 | | | | | |
| | | | | | | 14 | 13 | | | | | | | | | | | | 3 | 2 | | | | | |
| SALEABLE | NOT APPLICABLE | 34576-7283 | 0 | G | BLUE | | | 54 | 53 | | | | | | | | 47 | 46 | 45 | | 43 | | | | |
| | | | | | | | 41 | 40 | | 38 | | | | | | 34 | 33 | 32 | 31 | 30 | 29 | | | | |
| | | | | | | 28 | 27 | 26 | 25 | 24 | | | | | 20 | 19 | 18 | | | 16 | | | | | |
| | | | | | | | 13 | 12 | 11 | 10 | | 8 | | | 6 | | | | 3 | 2 | | | | | |
| SALEABLE | NOT APPLICABLE | 34576-7293 | 9 | G | BLUE | | | 54 | 53 | | | | | | 49 | 48 | 47 | 46 | 45 | | 43 | | | | |
| | | | | | | | 41 | 40 | | 38 | | | | | | 33 | 32 | 31 | 30 | 29 | | | | | |
| | | | | | | 28 | 27 | 26 | 25 | 24 | | | | | 20 | 19 | 18 | | | 16 | 15 | | | | |
| | | | | | | | 13 | 12 | 11 | 10 | | 8 | | | 6 | | | | 3 | 2 | 1 | | | | |
| SALEABLE | NOT APPLICABLE | 34576-7303 | 0 | G | BLUE | 56 | 55 | | | 52 | 51 | 50 | | | | | | | 45 | | | | | | |
| | | | | | | 42 | 41 | | | | | | | | 35 | 34 | 33 | | | | | | | | |
| | | | | | | 28 | 27 | | | | | | | | | | | 18 | | 16 | | | | | |
| | | | | | | 14 | 13 | | | | | | | | | | | | 3 | | | | | | |
| SALEABLE | NOT APPLICABLE | 34576-7313 | 0 | G | BLUE | 56 | 55 | 54 | 53 | 52 | 51 | 50 | | | | | | | 45 | | | | | | |
| | | | | | | 42 | 41 | 40 | 39 | | | | | | 35 | 34 | 33 | | | | | | | | |
| | | | | | | 28 | 27 | | | | 23 | | | | | | | 18 | 17 | 16 | | | | | |
| | | | | | | 14 | 13 | | | | 9 | | | | | | | | 3 | 2 | | | | | |



MX123 18/28/42/49/56-WAY RECEPTACLE ASSY SEALED PIN OUT SHEET

| STATUS | GM PART # | HRNS CONN ASSY | | | TPA GROMMET CAP | | | | | | | | | | | | | | | | | | |
|----------|----------------|----------------|-------------------|-----------------------|-------------------------|--|----|----|----|----|----|----|----|----|----|----|----|----|----|----|----|----|----|
| | | MATERIAL/PART | WIRE DRESS OPTION | KEY OPTION ▽ Fp | COLOR OPTION ▽ Fp | NUMBERS INDICATE CAVITIES OPEN FOR CIRCUITS ▽ Fp | | | | | | | | | | | | | | | | | |
| | | NUMBER | | | | 56 | 55 | 54 | 53 | 52 | 51 | 50 | | | | | 45 | | | | | | |
| SALEABLE | NOT APPLICABLE | 34576-7323 | 0 | G | BLUE | 42 | 41 | 40 | 39 | | | | | | 35 | 34 | 33 | | | | | | |
| | | | | | | 28 | 27 | | | | | 23 | | | | | | 18 | | | 16 | | |
| | | | | | | 14 | 13 | | | | | 9 | | | | | | | | | 3 | | 2 |
| | | | | | | 56 | 55 | 54 | 53 | 52 | 51 | 50 | | | | | | | | | 45 | | |
| SALEABLE | NOT APPLICABLE | 34576-7333 | 0 | G | BLUE | 42 | 41 | 40 | 39 | | | | | | 35 | 34 | 33 | | | | | | |
| | | | | | | 28 | 27 | | | | | | | | | | | 18 | 17 | 16 | | | |
| | | | | | | 14 | 13 | | | | | | | | | | | | | | 3 | | 2 |
| | | | | | | 56 | 55 | 54 | 53 | 52 | 51 | 50 | | | | | | | | | 45 | | |
| SALEABLE | NOT APPLICABLE | 34576-7343 | 0 | G | BLUE | 42 | 41 | | | | | | | | | 33 | | | | | | | |
| | | | | | | 28 | 27 | | | | | | | 21 | | | 18 | 17 | 16 | | | | |
| | | | | | | 14 | 13 | | | | | | | | | | | | | | 3 | | |
| | | | | | | 56 | 55 | | | 52 | 51 | 50 | | | | | | | | 46 | 45 | | |
| SALEABLE | NOT APPLICABLE | 34576-7353 | 0 | G | BLUE | 28 | 27 | 26 | 25 | 24 | | | | | 20 | 19 | 18 | | | | | | |
| | | | | | | | 13 | 12 | 11 | 10 | | | 8 | | | | | | | 3 | | 2 | |
| | | | | | | | | | | | | | | | | | | | | | | | |
| | | | | | | | | | | | | | | | | | | | | | | | |
| SALEABLE | NOT APPLICABLE | 34851-0029 | 9 | G | BLUE | 18 | | | | | | | | 14 | 1 | | | | | | | | |
| | | | | | | | | | | | | 11 | 10 | | | | | | | | | | |
| | | | | | | | | | | | | 8 | 7 | | | | | | | | | | |
| | | | | | | | | | | | | 4 | 3 | 2 | | | | | | | | | |
| SALEABLE | NOT APPLICABLE | 34576-7363 | 0 | H | ST. GRAY | | | | | | 51 | 50 | | | 48 | 47 | 46 | 45 | | | | | |
| | | | | | | | | | | | | | | | | 34 | 33 | 32 | 31 | | | 29 | |
| | | | | | | | | | | | | 9 | 8 | 7 | 6 | | | 4 | 3 | 2 | 1 | | |
| | | | | | | | | | | | | | | | | | | | | | | | |
| SALEABLE | NOT APPLICABLE | 34576-7373 | 9 | G | BLUE | | | | | 52 | | | | | 48 | 47 | | | | | | | |
| | | | | | | | | 40 | | | 37 | 36 | | | 34 | | | | | | 30 | | |
| | | | | | | | | | | 24 | | | | | | 20 | | | | | | | 15 |
| | | | | | | 14 | | | | | | | | | | 7 | | | | | | | |
| SALEABLE | NOT APPLICABLE | 34851-0030 | 0 | H | ST. GRAY | 18 | | | | | | 17 | 16 | 15 | 14 | 1 | | | | | | | |
| | | | | | | | | | | | | | | 10 | | | | | | | | | |
| | | | | | | | | | | | | | | 6 | | | | | | | | | |
| | | | | | | | | | | | | 4 | 3 | 2 | | | | | | | | | |
| SALEABLE | NOT APPLICABLE | 34576-9113 | 0 | A | BLACK | 49 | | | | | | | | | | | | | | | | | |
| | | | | | | | | | | | | | | | | | | | | | | | |



MX123 18/28/42/49/56-WAY RECEPTACLE ASSY SEALED PIN OUT SHEET

| STATUS | GM PART # | HRNS CONN ASSY | | | TPA GROMMET CAP | | | | | | | | | | | | | | | | |
|----------|----------------|----------------|-------------------|-----------------------|-------------------------|--|----|----|----|----|----|----|----|----|----|----|----|----|----|----|----|
| | | MATERIAL/PART | WIRE DRESS OPTION | KEY OPTION ▽ Fp | COLOR OPTION ▽ Fp | NUMBERS INDICATE CAVITIES OPEN FOR CIRCUITS ▽ Fp | | | | | | | | | | | | | | | |
| | | NUMBER | | | | | | | | | | | | | | | | | | | |
| SALEABLE | NOT APPLICABLE | 34576-9123 | 0 | C | BLUE | | | | | | | | | | | | | | | | |
| | | | | | | 49 | | | | | | | | | | | | | | | |
| SALEABLE | NOT APPLICABLE | 34576-7383 | 9 | G | BLUE | 56 | 55 | 54 | 53 | | | | 49 | 48 | 47 | | | 45 | 44 | | |
| | | | | | | | | 40 | 39 | | | 37 | 36 | 35 | 34 | 33 | | | | 29 | |
| | | | | | | | | | 25 | | | | | | 20 | 19 | 18 | | | 16 | |
| | | | | | | | | 13 | 12 | | | 9 | | 7 | 6 | | | | | 1 | |
| SALEABLE | NOT APPLICABLE | 34576-7393 | 0 | G | BLUE | 56 | 55 | | | 52 | 51 | 50 | | | | | 46 | 45 | 44 | | |
| | | | | | | 42 | 41 | | | | | | | | | | 21 | | 19 | 18 | |
| | | | | | | | | | | | | | | | | | | | | 15 | |
| | | | | | | 14 | 13 | | | | | 8 | | | | | | | 3 | | |
| SALEABLE | NOT APPLICABLE | 34576-7403 | 0 | G | BLUE | 56 | 55 | | | 52 | 51 | 50 | | | | | | | 45 | | |
| | | | | | | 42 | 41 | | | | | | | | | | | | | | |
| | | | | | | 28 | 27 | | | | | | 22 | | | | | 18 | 17 | 16 | |
| | | | | | | 14 | 13 | | | | | 8 | | | | | | | 3 | | |
| SALEABLE | NOT APPLICABLE | 34576-7413 | 0 | G | BLUE | | | 54 | 53 | | | | 49 | 48 | 47 | 46 | | | 44 | 43 | |
| | | | | | | | | 40 | 39 | 38 | 37 | 36 | | | | | 32 | 31 | 30 | 29 | |
| | | | | | | | | 26 | 25 | 24 | 23 | | 21 | 20 | 19 | | | 17 | | 15 | |
| | | | | | | | | 12 | 11 | 10 | 9 | | 7 | 6 | 5 | 4 | | | 2 | 1 | |
| SALEABLE | NOT APPLICABLE | 34576-7423 | 0 | G | BLUE | | | 54 | 53 | | | | 49 | 48 | 47 | 46 | | | 44 | 43 | |
| | | | | | | | | 40 | 39 | 38 | 37 | 36 | 35 | 34 | 33 | 32 | 31 | 30 | 29 | | |
| | | | | | | | | 26 | 25 | 24 | 23 | | 21 | 20 | 19 | | 17 | | 15 | | |
| | | | | | | | | 12 | 11 | 10 | 9 | | 7 | 6 | 5 | 4 | | | 2 | 1 | |
| SALEABLE | NOT APPLICABLE | 34576-7433 | 0 | G | BLUE | | | 54 | 53 | | | | 49 | 48 | 47 | 46 | | | 44 | 43 | |
| | | | | | | | | 40 | 39 | 38 | 37 | 36 | 35 | 34 | 33 | 32 | 31 | 30 | 29 | | |
| | | | | | | | | 26 | 25 | 24 | 23 | | 21 | 20 | 19 | | | | 15 | | |
| | | | | | | | | 12 | 11 | 10 | 9 | | 7 | 6 | 5 | 4 | | | 2 | 1 | |
| SALEABLE | NOT APPLICABLE | 34576-7443 | 0 | G | BLUE | | | 54 | 53 | | | | 49 | 48 | 47 | | | 32 | 31 | 30 | 29 |
| | | | | | | | | 40 | 39 | 38 | 37 | 36 | | | | | | 17 | | 15 | |
| | | | | | | | | 26 | 25 | 24 | 23 | | | 20 | | | | | | | |
| | | | | | | | | 12 | 11 | 10 | 9 | | 7 | 6 | 5 | 4 | | | 2 | 1 | |
| SALEABLE | NOT APPLICABLE | 34576-7453 | 9 | G | BLUE | | | | | 52 | | | | 48 | 47 | | | 45 | | 43 | |
| | | | | | | | | 40 | | | 37 | 36 | | | 34 | | | | 30 | | |
| | | | | | | | | | | 24 | | | | | 20 | | | | | 15 | |
| | | | | | | 14 | | | | | | | | 7 | | | | | | | |



MX123 18/28/42/49/56-WAY RECEPTACLE ASSY SEALED PIN OUT SHEET

| STATUS | GM PART # | HRNS CONN ASSY | | | TPA GROMMET CAP | | | | | | | | | | | | | | | | | | | | | | | | |
|----------|----------------|----------------|-------------------|-----------------------|-------------------------|--|----|----|----|----|----|----|--|--|--|--|--|--|----|--|----|----|--|----|----|----|----|----|---|
| | | MATERIAL/PART | WIRE DRESS OPTION | KEY OPTION ▽ Fp | COLOR OPTION ▽ Fp | NUMBERS INDICATE CAVITIES OPEN FOR CIRCUITS ▽ Fp | | | | | | | | | | | | | | | | | | | | | | | |
| | | NUMBER | | | | | | | | | | | | | | | | | | | | | | | | | | | |
| SALEABLE | NOT APPLICABLE | 34576-7463 | 9 | G | BLUE | | | | | | | | | | | | | | 33 | | 31 | | | | | | | | |
| | | | | | | | | | | | | | | | | | | | | | | | | | | | | | |
| | | | | | | | | | | | | | | | | | | | | | | | | | | | | | |
| SALEABLE | NOT APPLICABLE | 34576-7473 | 9 | G | BLUE | 56 | 55 | 54 | 53 | | | | | | | | | | | | | 46 | | 44 | | | | | |
| | | | | | | 42 | 41 | | 39 | 38 | | | | | | | | | | | | | | 33 | 32 | 31 | | 29 | |
| | | | | | | 28 | 27 | 26 | 25 | | | | | | | | | | | | | | | | 19 | 18 | 17 | 16 | |
| | | | | | | | 13 | 12 | 11 | 10 | 9 | 8 | | | | | | | | | | | | | 6 | 5 | 4 | 3 | 2 |
| SALEABLE | NOT APPLICABLE | 34576-7483 | 0 | G | BLUE | 56 | 55 | | | | | | | | | | | | | | | | | | | | | | |
| | | | | | | 42 | 41 | | | | | | | | | | | | | | | | | | | | | | |
| | | | | | | 28 | 27 | | | | | | | | | | | | | | | | | | | | | | |
| | | | | | | 14 | 13 | | | | | | | | | | | | | | | | | | | | | | |
| SALEABLE | NOT APPLICABLE | 34576-7493 | 0 | G | BLUE | 56 | 55 | 54 | 53 | | | | | | | | | | | | | | | | | | | | |
| | | | | | | 42 | 41 | 40 | 39 | | | | | | | | | | | | | | | | | | | | |
| | | | | | | 28 | 27 | | | | | | | | | | | | | | | | | | | | | | |
| | | | | | | 14 | 13 | | | | | | | | | | | | | | | | | | | | | | |
| SALEABLE | NOT APPLICABLE | 34576-7503 | 0 | G | BLUE | 56 | 55 | | | | | | | | | | | | | | | | | | | | | | |
| | | | | | | 42 | 41 | | | | | | | | | | | | | | | | | | | | | | |
| | | | | | | 28 | 27 | | | | | | | | | | | | | | | | | | | | | | |
| | | | | | | 14 | 13 | | | | | | | | | | | | | | | | | | | | | | |
| SALEABLE | NOT APPLICABLE | 34576-7513 | 0 | G | BLUE | 56 | 55 | 54 | 53 | 52 | 51 | 50 | | | | | | | | | | | | | | | | | |
| | | | | | | 42 | 41 | 40 | 39 | 38 | | | | | | | | | | | | | | | | | | | |
| | | | | | | 28 | 27 | 26 | 25 | | | | | | | | | | | | | | | | | | | | |
| | | | | | | 14 | 13 | 12 | 11 | 10 | 9 | 8 | | | | | | | | | | | | | | | | | |
| SALEABLE | NOT APPLICABLE | 34576-7523 | 9 | G | BLUE | | | | | | | | | | | | | | | | | | | | | | | | |
| | | | | | | | | | | | | | | | | | | | | | | | | | | | | | |
| | | | | | | | | | | | | | | | | | | | | | | | | | | | | | |
| SALEABLE | NOT APPLICABLE | 34576-7533 | 9 | G | BLUE | 56 | | 54 | 53 | 52 | | | | | | | | | | | | | | | | | | | |
| | | | | | | | 41 | 40 | 39 | 38 | | | | | | | | | | | | | | | | | | | |
| | | | | | | 28 | 27 | 26 | 25 | 24 | 23 | | | | | | | | | | | | | | | | | | |
| | | | | | | | 13 | 12 | 11 | 10 | 9 | 8 | | | | | | | | | | | | | | | | | |
| SALEABLE | NOT APPLICABLE | 34576-7543 | 9 | G | BLUE | 56 | | 54 | 53 | 52 | | | | | | | | | | | | | | | | | | | |
| | | | | | | | 41 | 40 | 39 | 38 | | | | | | | | | | | | | | | | | | | |
| | | | | | | 28 | 27 | 26 | 25 | 24 | 23 | | | | | | | | | | | | | | | | | | |
| | | | | | | | 13 | 12 | 11 | 10 | 9 | 8 | | | | | | | | | | | | | | | | | |



MX123 18/28/42/49/56-WAY RECEPTACLE ASSY SEALED PIN OUT SHEET

| STATUS | GM PART # | HRNS CONN ASSY | | | TPA GROMMET CAP | | | | | | | | | | | | | | | |
|----------|----------------|----------------|-------------------|------------------|--------------------|---|----|----|----|----|----|----|----|----|----|----|----|----|----|----|
| | | MATERIAL/PART | WIRE DRESS OPTION | KEY OPTION Fp | COLOR OPTION Fp | NUMBERS INDICATE CAVITIES OPEN FOR CIRCUITS Fp | | | | | | | | | | | | | | |
| | | NUMBER | | | | | | | | | | | | | | | | | | |
| SALEABLE | NOT APPLICABLE | 34576-7553 | 0 | A | BLACK | 48 | | 46 | | 44 | 43 | | | 40 | 39 | 38 | | | 35 | |
| | | | | | | 34 | 33 | 32 | 31 | | 29 | | | 26 | 25 | 24 | 23 | | | 21 |
| | | | | | | 49 | | | | | | 8 | 7 | | | | | 3 | | 1 |
| SALEABLE | NOT APPLICABLE | 34576-7563 | 0 | C | BLUE | 48 | 47 | 46 | 45 | 44 | | | 41 | 40 | 39 | 38 | 37 | 36 | | |
| | | | | | | 34 | 33 | 32 | | 30 | | | | | | 24 | 23 | | 21 | |
| | | | | | | 49 | | | | | | 18 | 17 | 16 | 15 | 14 | 13 | 12 | | |
| SALEABLE | NOT APPLICABLE | 34576-7573 | 0 | G | BLUE | | | | | 52 | 51 | 50 | | | | | 45 | 43 | | |
| | | | | | | | | | | | | 35 | 34 | 33 | 32 | | | | | |
| | | | | | | 28 | 27 | 26 | | | | | | | | 18 | | | 15 | |
| SALEABLE | NOT APPLICABLE | 34576-7583 | 0 | G | BLUE | 14 | 13 | 12 | | | | | 7 | 6 | | | 3 | 1 | | |
| | | | | | | | | | | 52 | 51 | 50 | | | | | 45 | 43 | | |
| | | | | | | | | | | | | | | | | 32 | | | 15 | |
| SALEABLE | NOT APPLICABLE | 34576-7593 | 0 | G | BLUE | 28 | 27 | 26 | | | | | | | | 18 | | 15 | | |
| | | | | | | 14 | 13 | 12 | | | | | 7 | 6 | | 4 | 3 | 1 | | |
| | | | | | | | | | | 52 | 51 | 50 | | | | | 45 | 43 | | |
| SALEABLE | NOT APPLICABLE | 34576-7603 | 0 | G | BLUE | | | | | 52 | 51 | 50 | | | | | 45 | 44 | 43 | |
| | | | | | | 42 | 41 | | | | 37 | 36 | 35 | 34 | 33 | 32 | | 30 | | |
| | | | | | | 28 | 27 | 26 | | 24 | | 22 | | 20 | 19 | | | 16 | 15 | |
| SALEABLE | NOT APPLICABLE | 34576-7613 | 9 | C | BLUE | 14 | 13 | 12 | | 10 | | 8 | 7 | 6 | | | | 1 | | |
| | | | | | | 48 | 47 | | 45 | 44 | | | 41 | 40 | 39 | 38 | 37 | 36 | | |
| | | | | | | 34 | 33 | 32 | | 30 | | | | | | 24 | 23 | | 21 | |
| SALEABLE | NOT APPLICABLE | 34576-7623 | 9 | A | BLACK | 49 | | | | | | 18 | 17 | 16 | 15 | 14 | 13 | 12 | | |
| | | | | | | 48 | | 46 | | 44 | 43 | 42 | | 40 | 39 | 38 | | | 35 | |
| | | | | | | 34 | 33 | 32 | 31 | | 29 | 28 | | 26 | 25 | 24 | 23 | | 21 | |
| SALEABLE | NOT APPLICABLE | 34576-7633 | 0 | A | BLACK | 49 | | | | | | 8 | 7 | | | | 3 | | 1 | |
| | | | | | | 48 | 47 | 46 | 45 | 44 | | | 41 | 40 | 39 | 38 | 37 | 36 | | |
| | | | | | | 34 | 33 | 32 | | 30 | | | | | | 24 | 23 | | 21 | |
| | | | | | | | | 18 | 17 | 16 | 15 | 14 | 13 | 12 | | | | | | |
| | | | | | | | | 10 | 9 | 8 | 7 | 6 | 5 | 3 | 2 | 1 | | | | |



MX123 18/28/42/49/56-WAY RECEPTACLE ASSY SEALED PIN OUT SHEET

| STATUS | GM PART # | HRNS CONN ASSY | | | TPA GROMMET CAP | | | | | | | | | | | | | | | | | | |
|----------|----------------|----------------|-------------------|-----------------------|-------------------------|--|----|----|----|----|----|----|----|----|----|----|----|----|----|----|---|----|----|
| | | MATERIAL/PART | WIRE DRESS OPTION | KEY OPTION ▽ Fp | COLOR OPTION ▽ Fp | NUMBERS INDICATE CAVITIES OPEN FOR CIRCUITS ▽ Fp | | | | | | | | | | | | | | | | | |
| | | NUMBER | | | | | | | | | | | | | | | | | | | | | |
| SALEABLE | NOT APPLICABLE | 34576-7643 | 0 | G | BLUE | 42 | 41 | | | | | | | | | | | | 30 | 29 | | | |
| | | | | | | 28 | | 26 | | | 23 | | | 20 | | | 17 | | | | | | 15 |
| | | | | | | 14 | | | | | 9 | | | | | | | | | | | | |
| SALEABLE | NOT APPLICABLE | 34576-7653 | 0 | C | BLUE | 48 | 47 | 46 | 45 | | | | | | 40 | | | 38 | 37 | 36 | | | |
| | | | | | | 34 | | 32 | 31 | | | 29 | | | | 25 | 24 | 23 | 22 | | | | |
| | | | | | | 49 | | | | 20 | 19 | 18 | 17 | 16 | | | | | 12 | | | | |
| SALEABLE | NOT APPLICABLE | 34576-7663 | 9 | A | BLACK | 48 | 47 | 46 | 45 | | | | | | 40 | | | 38 | 37 | 36 | | | |
| | | | | | | 34 | | 32 | 31 | | | 29 | | | | 25 | 24 | 23 | 22 | | | | |
| | | | | | | 49 | | | | 20 | 19 | 18 | 17 | 16 | | | | | 12 | | | | |
| SALEABLE | NOT APPLICABLE | 34576-7673 | 0 | C | BLUE | 48 | 47 | 46 | 45 | 44 | | | | 41 | 40 | 39 | 38 | 37 | 36 | | | | |
| | | | | | | 34 | 33 | 32 | | 30 | | | 28 | 27 | | | 24 | 23 | | | | 21 | |
| | | | | | | 49 | | | | | | 18 | 17 | | | 15 | 14 | 13 | 12 | | | | |
| SALEABLE | NOT APPLICABLE | 34576-7683 | 0 | A | BLACK | 48 | | 46 | | 44 | 43 | 42 | | | 39 | 38 | | | | 35 | | | |
| | | | | | | 34 | | 32 | 31 | | | 29 | 28 | | | 25 | 24 | 23 | | | | 21 | |
| | | | | | | 49 | | | | 20 | 19 | | | | | | 14 | | | | | | 11 |
| SALEABLE | NOT APPLICABLE | 34576-7693 | 0 | G | BLUE | | | | | 52 | 51 | 50 | | | | | 46 | 45 | | 43 | | | |
| | | | | | | | | | | | | | | | | | 32 | | | | | | |
| | | | | | | 28 | 27 | 26 | | | | | | | | | | 18 | | | | | 15 |
| SALEABLE | NOT APPLICABLE | 34576-7703 | 0 | G | BLUE | 14 | 13 | 12 | | | | | 7 | 6 | | | | 3 | | 1 | | | |
| | | | | | | | | | | 52 | 51 | 50 | | | | | 46 | 45 | | | | 43 | |
| | | | | | | | | | | | | | | 35 | 34 | 33 | 32 | | | | | | |
| SALEABLE | NOT APPLICABLE | 34576-7713 | 0 | G | BLUE | 28 | 27 | 26 | | | | | | | | 18 | | | | 15 | | | |
| | | | | | | 14 | 13 | 12 | | | | | 7 | 6 | | | | 3 | | | 1 | | |
| | | | | | | | | | | 52 | 51 | 50 | | | | | 46 | 45 | | | | | 43 |
| SALEABLE | NOT APPLICABLE | 34576-7723 | 9 | C | BLUE | 48 | 47 | 46 | 45 | 44 | | | | 41 | 40 | 39 | 38 | 37 | 36 | | | | |
| | | | | | | 34 | 33 | 32 | | 30 | | | | | | 24 | 23 | | | | | 21 | |
| | | | | | | 49 | | | | | | 18 | 17 | 16 | 15 | 14 | 13 | 12 | | | | | |
| | | | | | | 10 | 9 | 8 | 7 | 6 | 5 | 4 | 3 | 2 | 1 | | | | | | | | |



MX123 18/28/42/49/56-WAY RECEPTACLE ASSY SEALED PIN OUT SHEET

| STATUS | GM PART # | HRNS CONN ASSY | | | TPA GROMMET CAP | | | | | | | | | | | | | | | | |
|----------|----------------|----------------|-------------------|-----------------------|-------------------------|--|----|----|----|----|----|----|----|----|----|----|----|----|----|----|---|
| | | MATERIAL/PART | WIRE DRESS OPTION | KEY OPTION ▽ Fp | COLOR OPTION ▽ Fp | NUMBERS INDICATE CAVITIES OPEN FOR CIRCUITS ▽ Fp | | | | | | | | | | | | | | | |
| | | NUMBER | | | | | | | | | | | | | | | | | | | |
| SALEABLE | NOT APPLICABLE | 34576-7733 | 0 | A | BLACK | | | | | 44 | 43 | 42 | 41 | | 39 | | | | 35 | | |
| | | | | | | | 33 | | | 30 | | 28 | 27 | 26 | | 15 | 14 | 13 | | 21 | |
| | | | | | | 49 | | | | | | 18 | | | | 8 | 7 | 6 | | 4 | 3 |
| SALEABLE | NOT APPLICABLE | 34576-7743 | 0 | C | BLUE | | | | | | 43 | | | | | | | | | | |
| | | | | | | | | | 31 | | 29 | | | 26 | 25 | | | | 22 | | |
| | | | | | | 49 | | | | 20 | 19 | | | | | | | | | | |
| SALEABLE | NOT APPLICABLE | 34576-7753 | 0 | G | BLUE | | | | | 52 | 51 | 50 | | | | | 4 | | 2 | | |
| | | | | | | | | | | | | | | | | 33 | 46 | 45 | | | |
| | | | | | | 28 | 27 | | | | | | | 21 | | | 18 | 17 | | | |
| SALEABLE | NOT APPLICABLE | 34576-7763 | 9 | A | BLACK | | | | | | | | | | | | | | | | |
| | | | | | | | | | | 44 | 43 | 42 | 41 | | 39 | | | | | 35 | |
| | | | | | | | | | | 33 | | | 30 | | 28 | 27 | 26 | | | | |
| SALEABLE | NOT APPLICABLE | 34576-7773 | 9 | A | BLACK | 49 | | | | | | 18 | 17 | | | 14 | 13 | | 11 | | |
| | | | | | | 48 | 47 | 46 | 45 | 44 | 43 | | | 40 | | 38 | 37 | 36 | | | |
| | | | | | | 34 | | 32 | 31 | | 29 | 28 | 27 | | 25 | 24 | 23 | 22 | | | |
| SALEABLE | NOT APPLICABLE | 34576-7783 | 9 | C | BLUE | 49 | | | | 20 | 19 | | | 16 | 15 | | | 12 | | | |
| | | | | | | | | | | 10 | 9 | | | | | 5 | | | | 2 | 1 |
| | | | | | | | | | | | | | | | | | | | | | |
| SALEABLE | NOT APPLICABLE | 34576-7793 | 9 | A | BLACK | 49 | | | | | | | | | | | | | | | |
| | | | | | | 48 | 47 | 46 | 45 | 44 | | | | 41 | 40 | 39 | 38 | 37 | 36 | | |
| | | | | | | 34 | | 32 | 31 | | | | | | | | | | | | |
| SALEABLE | NOT APPLICABLE | 34576-7803 | 0 | G | BLUE | 49 | | | | 20 | 19 | 18 | 17 | 16 | 15 | | | 12 | | | |
| | | | | | | | | | | 10 | 9 | | | | | 5 | | | | 2 | 1 |
| | | | | | | | | 54 | 53 | | | | | 49 | 48 | 47 | | | 44 | 43 | |
| SALEABLE | NOT APPLICABLE | 34576-7803 | 0 | G | BLUE | | | 40 | 39 | 38 | 37 | 36 | 35 | 34 | | 32 | 31 | 30 | 29 | | |
| | | | | | | | | 26 | 25 | 24 | 23 | 22 | | 20 | 19 | | | | | 15 | |
| | | | | | | | | 12 | 11 | 10 | 9 | 8 | 7 | 6 | 5 | 4 | | | | | 2 |



MX123 18/28/42/49/56-WAY RECEPTACLE ASSY SEALED PIN OUT SHEET

| STATUS | GM PART # | HRNS CONN ASSY | | | TPA GROMMET CAP | | | | | | | | | | | | | | |
|----------|----------------|----------------|-------------------|------------------|--------------------|---|----|----|----|----|----|----|----|----|----|----|----|----|----|
| | | MATERIAL/PART | WIRE DRESS OPTION | KEY OPTION Fp | COLOR OPTION Fp | NUMBERS INDICATE CAVITIES OPEN FOR CIRCUITS Fp | | | | | | | | | | | | | |
| | | NUMBER | | | | | | | | | | | | | | | | | |
| SALEABLE | NOT APPLICABLE | 34576-7813 | 9 | C | BLUE | 48 | 47 | 46 | 45 | 44 | | | 41 | 40 | 39 | 38 | 37 | 36 | |
| | | | | | | 34 | 33 | 32 | | 30 | | | 27 | | | 24 | 23 | | 21 |
| | | | | | | 49 | | | | 10 | 9 | 8 | 7 | | 15 | 14 | 13 | 12 | 1 |
| SALEABLE | NOT APPLICABLE | 34576-7823 | 0 | A | BLACK | 48 | 47 | 46 | 45 | | | | | 40 | | 38 | 37 | 36 | |
| | | | | | | 34 | | 32 | 31 | | 29 | | | | 25 | 24 | 23 | 22 | |
| | | | | | | 49 | | | | 20 | 19 | | 17 | 16 | | | | 12 | |
| SALEABLE | NOT APPLICABLE | 34576-7833 | 0 | C | BLUE | 48 | 47 | | 45 | 44 | | | 41 | 40 | 39 | 38 | 37 | 36 | 35 |
| | | | | | | 34 | | 32 | | 30 | | 28 | | | | 24 | | | 21 |
| | | | | | | 49 | | | | | 9 | | 7 | 6 | 5 | | 3 | | 1 |
| SALEABLE | NOT APPLICABLE | 34576-7843 | 9 | A | BLACK | 48 | 47 | 46 | 45 | 44 | 43 | | | 40 | | 38 | 37 | 36 | |
| | | | | | | 34 | | 32 | 31 | | | 28 | 27 | | 25 | 24 | 23 | 22 | |
| | | | | | | 49 | | | | 20 | 19 | 18 | 17 | 16 | 15 | | | 12 | |
| SALEABLE | NOT APPLICABLE | 34576-7853 | 0 | C | BLUE | 48 | 47 | 46 | 45 | 44 | | 42 | 41 | 40 | 39 | 38 | 37 | 36 | 35 |
| | | | | | | 34 | 33 | 32 | | 30 | 29 | 28 | 27 | | | 24 | 23 | | 21 |
| | | | | | | 49 | | | | 20 | | 18 | 17 | 16 | 15 | 14 | 13 | 12 | |
| SALEABLE | NOT APPLICABLE | 34576-7863 | 9 | A | BLACK | 48 | | 46 | | | 43 | | | | 39 | 38 | | 36 | 35 |
| | | | | | | 34 | 33 | | 31 | | 29 | | 27 | | 25 | 24 | 23 | | 21 |
| | | | | | | 49 | | | | 20 | 19 | | | | | | | | 11 |
| SALEABLE | NOT APPLICABLE | 34576-7873 | 9 | C | BLUE | 48 | 47 | 46 | 45 | 44 | 43 | | 41 | 40 | 39 | 38 | 37 | 36 | |
| | | | | | | 34 | 33 | 32 | | 30 | | | 27 | | | 24 | 23 | | 21 |
| | | | | | | 49 | | | | | 9 | 8 | 7 | 6 | 5 | | 3 | | 1 |
| SALEABLE | NOT APPLICABLE | 34576-7883 | 9 | A | BLACK | 48 | 47 | 46 | 45 | 44 | 43 | | | 40 | | | 37 | 36 | |
| | | | | | | 34 | | 32 | 31 | | 29 | | 27 | | 25 | 24 | 23 | 22 | |
| | | | | | | 49 | | | | 20 | 19 | 18 | | 16 | | | | 12 | |
| SALEABLE | NOT APPLICABLE | 34576-7893 | 9 | A | BLACK | 48 | 47 | 46 | 45 | | | | | 40 | | 38 | 37 | 36 | |
| | | | | | | 34 | | 32 | 31 | | 29 | | | | 25 | 24 | 23 | 22 | |
| | | | | | | 49 | | | | 20 | 19 | | 17 | 16 | | | | | 2 |



MX123 18/28/42/49/56-WAY RECEPTACLE ASSY SEALED PIN OUT SHEET

| STATUS | GM PART # | HRNS CONN ASSY | | | TPA GROMMET CAP | | | | | | | | | | | | | | | |
|----------|----------------|----------------|-------------------|------------------|--------------------|---|----|----|----|----|----|----|----|----|----|----|----|----|----|----|
| | | MATERIAL/PART | WIRE DRESS OPTION | KEY OPTION Fp | COLOR OPTION Fp | NUMBERS INDICATE CAVITIES OPEN FOR CIRCUITS Fp | | | | | | | | | | | | | | |
| | | NUMBER | | | | | | | | | | | | | | | | | | |
| SALEABLE | NOT APPLICABLE | 34576-7903 | 0 | A | BLACK | 48 | 47 | 46 | 45 | | | | | 40 | | 38 | 37 | 36 | | |
| | | | | | | 34 | | 32 | 31 | | 29 | | | 25 | 24 | 23 | 22 | | | |
| | | | | | | 49 | | | | 20 | 19 | | 17 | 16 | | | | 12 | | |
| | | | | | | 10 | 9 | | | | | 5 | | | 2 | 1 | | | | |
| SALEABLE | NOT APPLICABLE | 34576-7913 | 9 | A | BLACK | 48 | | 46 | | | 43 | | | | 39 | 38 | | 36 | 35 | |
| | | | | | | 34 | 33 | 32 | 31 | | 29 | | 27 | | 25 | 24 | 23 | 22 | 21 | |
| | | | | | | 49 | | | | 20 | 19 | | | | | | | | | 11 |
| | | | | | | 10 | 9 | | 7 | 6 | | | | | | | 1 | | | |
| SALEABLE | NOT APPLICABLE | 34576-7923 | 0 | A | BLACK | 48 | 47 | 46 | 45 | 44 | 43 | | | 40 | | 38 | 37 | 36 | | |
| | | | | | | 34 | | 32 | 31 | | 29 | 28 | 27 | | 25 | 24 | 23 | 22 | | |
| | | | | | | 49 | | | | 20 | 19 | 18 | 17 | 16 | 15 | | | | 12 | |
| | | | | | | 10 | 9 | | | 6 | 5 | | | | 2 | 1 | | | | |
| SALEABLE | NOT APPLICABLE | 34576-7933 | 0 | C | BLUE | | | | | | | | | | | | | | | |
| | | | | | | 49 | | | | 20 | | 18 | 17 | 16 | | 14 | 13 | 12 | | |
| | | | | | | | | | | | | | 9 | 8 | 7 | 6 | | | 3 | |
| SALEABLE | NOT APPLICABLE | 34576-7943 | 0 | A | BLACK | 48 | 47 | 46 | 45 | | | | | 40 | | 38 | 37 | 36 | | |
| | | | | | | 34 | | 32 | 31 | | 29 | | | | 25 | 24 | 23 | 22 | | |
| | | | | | | 49 | | | | 20 | 19 | | | 16 | 15 | | | | 12 | |
| | | | | | | 10 | 9 | | | | 5 | | | 2 | 1 | | | | | |
| SALEABLE | NOT APPLICABLE | 34576-7953 | 0 | G | BLUE | | | | | 52 | 51 | 50 | | | | 46 | 45 | | | |
| | | | | | | | | | | | | | | | | 33 | | | | |
| | | | | | | 28 | 27 | 26 | | | | | 21 | | | | 18 | 17 | | |
| | | | | | | 14 | 13 | 12 | | | | | | 3 | | | | | | |
| SALEABLE | NOT APPLICABLE | 34576-7963 | 9 | A | BLACK | 48 | | 46 | | | 43 | | | | 39 | 38 | | 36 | 35 | |
| | | | | | | 34 | 33 | 32 | 31 | | 29 | | 27 | | 25 | 24 | 23 | | 21 | |
| | | | | | | 49 | | | | 20 | 19 | | | | | | | | | 11 |
| | | | | | | 10 | 9 | | 7 | 6 | | | | | | 1 | | | | |
| SALEABLE | NOT APPLICABLE | 34576-7973 | 0 | A | BLACK | 48 | 47 | 46 | 45 | 44 | 43 | | | 40 | | 38 | 37 | 36 | | |
| | | | | | | 34 | | 32 | 31 | | | 28 | 27 | | 25 | 24 | 23 | 22 | | |
| | | | | | | 49 | | | | 20 | 19 | | | 16 | 15 | | | | 12 | |
| | | | | | | 10 | 9 | | | | 5 | | | | 2 | 1 | | | | |
| SALEABLE | NOT APPLICABLE | 34576-7983 | 9 | A | BLACK | | | | | | | | | | | 38 | | | | |
| | | | | | | | 33 | 32 | | | 29 | 28 | | 26 | 25 | | 23 | | | |
| | | | | | | 49 | | | | 20 | | 18 | | 16 | 15 | | | | | |
| | | | | | | 10 | | 8 | 7 | 6 | 5 | | | | | | | | | |



MX123 18/28/42/49/56-WAY RECEPTACLE ASSY SEALED PIN OUT SHEET

| STATUS | GM PART # | HRNS CONN ASSY | | | TPA GROMMET CAP | | | | | | | | | | | | | | |
|----------|----------------|----------------|-------------------|-----------------------|-------------------------|--|----|----|----|----|----|----|----|----|----|----|----|----|----|
| | | MATERIAL/PART | WIRE DRESS OPTION | KEY OPTION ▽ Fp | COLOR OPTION ▽ Fp | NUMBERS INDICATE CAVITIES OPEN FOR CIRCUITS ▽ Fp | | | | | | | | | | | | | |
| | | NUMBER | | | | | | | | | | | | | | | | | |
| SALEABLE | NOT APPLICABLE | 34576-7993 | 9 | C | BLUE | | 47 | | 45 | 44 | | 42 | | 40 | 39 | 38 | 37 | 36 | |
| | | | | | | 34 | | 32 | | 30 | | 28 | | | 24 | 23 | | 21 | |
| | | | | | | 49 | | | | | 9 | 18 | 17 | 7 | 15 | 14 | 13 | 12 | 11 |
| SALEABLE | NOT APPLICABLE | 34576-8003 | 0 | A | BLACK | 48 | 47 | 46 | 45 | 44 | 43 | | 40 | | 38 | 37 | 36 | | |
| | | | | | | 34 | | 32 | 31 | | 29 | 28 | 27 | | 25 | 24 | 23 | 22 | |
| | | | | | | 49 | | | | 20 | 19 | | 16 | | | | 12 | | |
| SALEABLE | NOT APPLICABLE | 34576-8013 | 0 | H | ST GRY | | | 54 | 53 | 52 | 51 | | | | 46 | 45 | 44 | 43 | |
| | | | | | | | | 40 | 39 | 38 | 37 | 36 | 35 | 34 | 33 | | | | |
| | | | | | | | | 26 | 25 | | | | | | | | | | |
| SALEABLE | NOT APPLICABLE | 34576-8023 | 9 | A | BLACK | 14 | 13 | 12 | 11 | | | 8 | 7 | 6 | 5 | | | 2 | 1 |
| | | | | | | 48 | 47 | 46 | 45 | | | | | 40 | | | 37 | 36 | |
| | | | | | | 34 | | 32 | 31 | | 29 | | | | 25 | 24 | 23 | 22 | |
| SALEABLE | NOT APPLICABLE | 34576-8033 | 9 | A | BLACK | 49 | | | | 20 | 19 | 18 | | 16 | | | | 12 | |
| | | | | | | | | | | 10 | 9 | | | 5 | | | 2 | 1 | |
| | | | | | | | 33 | 32 | | | 29 | 28 | | 26 | 25 | | 38 | | 23 |
| SALEABLE | NOT APPLICABLE | 34576-8043 | 9 | C | BLUE | 49 | | | | 20 | | 18 | 17 | 16 | 15 | | | | |
| | | | | | | | | | | 10 | | 8 | 7 | 6 | 5 | 4 | | 2 | |
| | | | | | | | 47 | | 45 | 44 | | | | 40 | 39 | 38 | 37 | 36 | |
| SALEABLE | NOT APPLICABLE | 34576-8053 | 0 | A | BLACK | 34 | | 32 | | 30 | | 28 | | | 24 | 23 | | 21 | |
| | | | | | | 49 | | | | | 9 | 18 | 17 | 7 | 15 | 14 | 13 | 12 | 11 |
| | | | | | | 48 | 47 | 46 | 45 | 44 | 43 | | 40 | | 38 | 37 | 36 | | |
| SALEABLE | NOT APPLICABLE | 34576-8063 | 9 | A | BLACK | 34 | | 32 | 31 | | 29 | 28 | 27 | | 25 | 24 | 23 | 22 | |
| | | | | | | 49 | | | | 20 | 19 | | 16 | | | | 12 | | |
| | | | | | | | | | | 10 | 9 | | | 5 | | | 3 | 2 | 1 |
| SALEABLE | NOT APPLICABLE | 34576-8073 | 0 | C | BLUE | 48 | 47 | 46 | 45 | 44 | | | 41 | 40 | 39 | 38 | 37 | 36 | |
| | | | | | | 34 | 33 | 32 | | 30 | | 28 | | | 24 | 23 | 22 | 21 | |
| | | | | | | 49 | | | | 20 | | 18 | 17 | 16 | | 14 | 13 | 12 | |
| | | | | | 9 | 8 | 7 | 6 | | | 3 | | 1 | | | | | | |



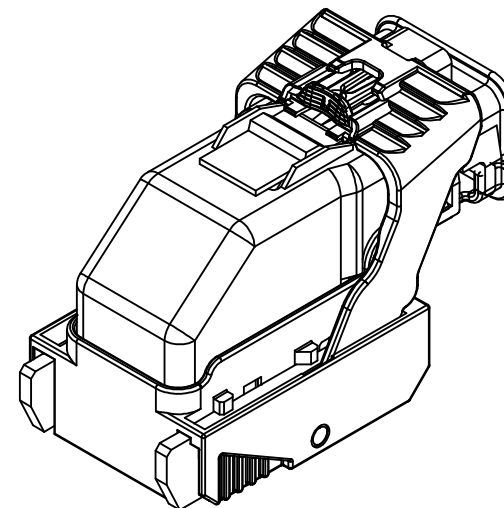
MX123 18/28/42/49/56-WAY RECEPTACLE ASSY SEALED PIN OUT SHEET

| STATUS | GM PART # | HRNS CONN ASSY | | | TPA GROMMET CAP | | | | | | | | | | | | | | | | | |
|----------|----------------|----------------|-------------------|------------------|--------------------|---|----|----|----|----|----|----|----|----|----|----|----|----|----|----|----|---|
| | | MATERIAL/PART | WIRE DRESS OPTION | KEY OPTION Fp | COLOR OPTION Fp | NUMBERS INDICATE CAVITIES OPEN FOR CIRCUITS Fp | | | | | | | | | | | | | | | | |
| | | NUMBER | | | | | | | | | | | | | | | | | | | | |
| SALEABLE | NOT APPLICABLE | 34576-8083 | 0 | H | ST GRV | 56 | 55 | 54 | 53 | 52 | 51 | | | | | 46 | 45 | 44 | 43 | | | |
| | | | | | | 42 | 41 | 40 | 39 | 38 | 37 | 36 | 35 | 34 | 33 | | | | | | | |
| | | | | | | 28 | 27 | 26 | 25 | 24 | 23 | 22 | 21 | 20 | 19 | | | | | | | |
| | | | | | | 14 | 13 | 12 | 11 | | | 8 | 7 | 6 | 5 | | | | | | 2 | 1 |
| SALEABLE | NOT APPLICABLE | 34576-8093 | 0 | H | ST GRV | | | 54 | 53 | 52 | 51 | | | | | 46 | 45 | 44 | 43 | | | |
| | | | | | | | | 40 | 39 | 38 | 37 | 36 | 35 | 34 | 33 | | | | | | | |
| | | | | | | 28 | 27 | 26 | 25 | 24 | 23 | | | | | | | | | | | |
| | | | | | | 14 | 13 | 12 | 11 | | | 8 | 7 | 6 | 5 | | | | | | 2 | 1 |
| SALEABLE | NOT APPLICABLE | 34576-8103 | 0 | H | ST GRV | | | 54 | 53 | 52 | 51 | | | | | | | | | | | |
| | | | | | | | | 40 | 39 | 38 | 37 | 36 | 35 | 34 | 33 | | | | | | | |
| | | | | | | 28 | 27 | 26 | 25 | 24 | 23 | | | | | | | | | | | |
| | | | | | | 14 | 13 | 12 | 11 | | | 8 | 7 | 6 | 5 | | | | | | 2 | 1 |
| SALEABLE | NOT APPLICABLE | 34576-8113 | 0 | A | BLACK | 48 | 47 | 46 | 45 | 44 | 43 | | | 40 | | 38 | 37 | 36 | | | | |
| | | | | | | 34 | | 32 | 31 | | 29 | 28 | 27 | | 25 | 24 | 23 | 22 | | | | |
| | | | | | | 49 | | | | 20 | 19 | 18 | 17 | 16 | 15 | | | | | 12 | | |
| | | | | | | | | | | 10 | 9 | | | | 5 | | | | | 2 | 1 | |
| SALEABLE | NOT APPLICABLE | 34576-8123 | 0 | A | BLACK | 48 | 47 | 46 | 45 | 44 | 43 | | | 40 | | 38 | 37 | 36 | | | | |
| | | | | | | 34 | | 32 | 31 | | | 28 | 27 | | 25 | 24 | 23 | 22 | | | | |
| | | | | | | 49 | | | | 20 | 19 | | 17 | 16 | 15 | | | | | 12 | | |
| | | | | | | | | | | 10 | 9 | | | | 5 | | | | | 2 | 1 | |
| SALEABLE | NOT APPLICABLE | 34576-8133 | 0 | A | BLACK | 48 | | 46 | | 44 | 43 | 42 | | 40 | 39 | 38 | | | 35 | | | |
| | | | | | | 34 | 33 | 32 | 31 | | 29 | 28 | | 26 | 25 | 24 | 23 | | | 21 | | |
| | | | | | | 49 | | | | | | | | | 14 | | | | | | 11 | |
| | | | | | | | | | | | | 8 | 7 | | | | | | | 3 | | 1 |
| SALEABLE | NOT APPLICABLE | 34576-8143 | 0 | G | BLUE | 56 | 55 | 54 | 53 | 52 | 51 | 50 | 49 | 48 | 47 | 46 | 45 | 44 | 43 | | | |
| | | | | | | | | 40 | | | | 36 | 35 | | | | | | 31 | | | |
| | | | | | | | 27 | | 25 | 24 | | 22 | 21 | | 19 | 18 | | | | | | |
| | | | | | | | 13 | 12 | | 10 | 9 | 8 | 7 | 6 | | | | | | 3 | | |
| SALEABLE | NOT APPLICABLE | 34576-9133 | 9 | A | BLACK | 48 | 47 | 46 | 45 | 44 | 43 | | | 40 | | 38 | 37 | 36 | | | | |
| | | | | | | 34 | | 32 | 31 | | 29 | 28 | 27 | | 25 | 24 | 23 | 22 | | | | |
| | | | | | | 49 | | | | 20 | 19 | 18 | 17 | 16 | | | | | | 12 | | |
| | | | | | | | | | | 10 | 9 | | | | 5 | | | | | 2 | 1 | |
| SALEABLE | NOT APPLICABLE | 34576-9143 | 9 | C | BLUE | | 47 | | 45 | 44 | | | | 40 | 39 | 38 | 37 | 36 | | | | |
| | | | | | | 34 | | 32 | | 30 | | | | 26 | 25 | 24 | 23 | | | 21 | | |
| | | | | | | 49 | | | | | | 18 | 17 | | 15 | 14 | 13 | 12 | | | | |
| | | | | | | | | | | 10 | 9 | | | 7 | 6 | 5 | | | | 3 | | 1 |

| STATUS | GM PART # | HRNS CONN ASSY | | | TPA GROMMET CAP | | | | | | | | | | | | | | | |
|----------|----------------|----------------|-------------------|-----------------------|-------------------------|--|----|----|--|----|----|--|----|----|----|----|--|----|----|--|
| | | MATERIAL/PART | WIRE DRESS OPTION | KEY OPTION ▽ Fp | COLOR OPTION ▽ Fp | NUMBERS INDICATE CAVITIES OPEN FOR CIRCUITS ▽ Fp | | | | | | | | | | | | | | |
| | | NUMBER | | | | | | | | | | | | | | | | | | |
| SALEABLE | NOT APPLICABLE | 34576-9153 | 9 | A | BLACK | | | | | 44 | 43 | | 41 | | | | | 37 | 36 | |
| | | | | | | 34 | 33 | 32 | | | | | | | | | | | 22 | |
| | | | | | | 49 | | | | | | | 18 | 17 | 16 | 15 | | | | |
| | | | | | | | | | | | | | 8 | 7 | 6 | 5 | | | | |

INDEX

| | PAGE TITLE | PAGE |
|---|---|------|
| | TITLE BLOCK | 1 |
| L | PART BLOCK | 2 |
| | KPC BLOCK | 3 |
| | COMPONENT TABLE | 4 |
| K | NOTES | 5 |
| | NOTES | 6 |
| | WIRE DRESS PACKAGING DIMENSIONS | 7 |
| J | LOCATION AND PACKAGING DIMENSIONS REFERENCING INTERFACE DATUMS B & C | 8 |
| | LOCATION AND PACKAGING DIMENSIONS REFERENCING INTERFACE DATUM A | 9 |
| I | KEY ID REF - WIRE DRESS OPTION 0 | 10 |
| | KEY ID REF - WIRE DRESS OPTION 9 | 11 |
| | CIRCUIT CONFIGURATIONS | 12 |
| H | CIRCUIT CONFIGURATIONS | 13 |
| | COMPONENT CONNECTOR INTERFACE | 14 |
| | COMPONENT CONNECTOR INTERFACE | 15 |
| | COMPONENT CONNECTOR INTERFACE | 16 |
| G | COMPONENT CONNECTOR INTERFACE | 17 |
| | COMPONENT CONNECTOR INTERFACE | 18 |
| | COMPONENT CONNECTOR INTERFACE | 19 |
| F | COMPONENT CONNECTOR INTERFACE | 20 |
| | COMPONENT CONNECTOR INTERFACE | 21 |
| | ADDITIONAL COMPONENTS REQUIRED | 22 |



MX123 HARNESS CONN - SEALED
18/49/56 CKTS

| | | | | | | |
|--|-----------------|--|---|---------------|--------------|------------------------|
| ENTER DESCRIPTION IEC NO: UAU2017-0870 DRAWN IN ITALIA 2017/03/27 CHKD: APPR:VKOSHY 2017/03/29 REV: | QUALITY SYMBOLS | GENERAL TOLERANCES (UNLESS SPECIFIED) | DIMENSION STYLE | SCALE | DESIGN UNITS | THIRD ANGLE PROJECTION |
| | ▽=0 | 4 PLACES ±--- ±--- | MM ONLY | 1:1 | METRIC | |
| | ▽=0 | 3 PLACES ±--- ±--- | | | | |
| | ▽=0 | 2 PLACES ±0.13 ±--- | | | | |
| | | 1 PLACE ±0.25 ±--- | | | | |
| | | 0 PLACE ±--- ±--- | | | | |
| | | ANGULAR ± 1 ° | | | | |
| | | DRAFT WHERE APPLICABLE MUST REMAIN WITHIN DIMENSIONS | SEE BOM TABLE | | | |
| | | | MATERIAL NO. | DOCUMENT NO. | | SHEET NO. |
| | | | | SD-34576-0001 | | 1 OF 22 |
| | | | THIS DRAWING CONTAINS INFORMATION THAT IS PROPRIETARY TO MOLEX INCORPORATED AND SHOULD NOT BE USED WITHOUT WRITTEN PERMISSION | | | |

| 22 | RD | A | C | 001 | | 0.000 | YAZAKI: 7158-3114-90 | 2.8MM CAVITY PLUG |
|------------|---------------------|-------------|----|-----|-------------|--------------|---|-------------------|
| 21 | RD | A | | 001 | | 0.000 | PLUG-WRG HARN CONN MX0.64 | |
| 20 | RD | A | | 001 | | 0.000 | TERM-AG 0.5MM/0.75MM ISO,MX64 | |
| 19 | RD | A | | 001 | | 0.000 | TERM-AG 0.35MM ISO,MX64 | |
| 18 | RD | A | C | 006 | | 0.009 | WIRE HARNESS COVER | 18/49/56 WAY |
| 17 | RD | A | 2 | 001 | | 0.041 | HARN CONN ASM 56 CKT | KEY J OPTION 9 |
| 16 | RD | A | 2 | 001 | | 0.041 | HARN CONN ASM 56 CKT | KEY H OPTION 9 |
| 15 | RD | A | 2 | 001 | | 0.041 | HARN CONN ASM 56 CKT | KEY G OPTION 9 |
| 14 | RD | A | 2 | 001 | | 0.041 | HARN CONN ASM 56 CKT | KEY J OPTION 0 |
| 13 | RD | A | 2 | 001 | | 0.041 | HARN CONN ASM 56 CKT | KEY H OPTION 0 |
| 12 | RD | A | 2 | 001 | | 0.041 | HARN CONN ASM 56 CKT | KEY G OPTION 0 |
| 11 | RD | A | 2 | 001 | | 0.040 | HARN CONN ASM 49 CKT | KEY C OPTION 9 |
| 10 | RD | A | 2 | 001 | | 0.040 | HARN CONN ASM 49 CKT | KEY B OPTION 9 |
| 09 | RD | A | 2 | 001 | | 0.040 | HARN CONN ASM 49 CKT | KEY A OPTION 9 |
| 08 | RD | A | 2 | 001 | | 0.040 | HARN CONN ASM 49 CKT | KEY C OPTION 0 |
| 07 | RD | A | 2 | 001 | | 0.040 | HARN CONN ASM 49 CKT | KEY B OPTION 0 |
| 06 | RD | A | 2 | 001 | | 0.040 | HARN CONN ASM 49 CKT | KEY A OPTION 0 |
| 05 | RD | A | 2 | 001 | | 0.044 | HARN CONN ASM 18 CKT | KEY H OPTION 9 |
| 04 | RD | A | 2 | 001 | | 0.044 | HARN CONN ASM 18 CKT | KEY G OPTION 9 |
| 03 | RD | A | 2 | 001 | | 0.044 | HARN CONN ASM 18 CKT | KEY H OPTION 0 |
| 02 | RD | A | 2 | 001 | | 0.044 | HARN CONN ASM 18 CKT | KEY G OPTION 0 |
| 01 | RD | A | | 001 | | 1.285 | HARNNESS CONN ASM-SEALED 18/49/56CKTS,MX123 | |
| | | | | | | | DRAWING | |
| DWG ITM | DWG RLTN SHIP | D L S | ST | REV | P D I | MASS (KG) | PART NAME | NOTES |

PARTS SHOWN ON DRAWING

| | | | | | | | |
|--|-----------------|--|------------------------|-----------------|--------------|---|--|
| ENTER DESCRIPTION IEC NO: UAU2017-0870 DRAWN: ITALIA 2017/03/27 CHKD: APPR: VKOSHY 2017/03/29 REV: | QUALITY SYMBOLS | GENERAL TOLERANCES (UNLESS SPECIFIED) | DIMENSION STYLE | SCALE | DESIGN UNITS | THIRD ANGLE PROJECTION | |
| | ▽=0 | mm INCH | MM ONLY | 1:1 | METRIC | | |
| | ▽=0 | 4 PLACES # --- # --- | DRAWN BY SKRA JENDRANA | DATE 2016/12/15 | TITLE | ICD - MX123 18/49/56CKT INTERFACE CONNECTION DRW | |
| | ▽=0 | 3 PLACES # --- # --- | CHECKED BY VKOSHY | DATE 2016/12/15 | MOLEX | | |
| | ANGULAR ± 1 ° | DRAFT WHERE APPLICABLE MUST REMAIN WITHIN DIMENSIONS | APPROVED BY VKOSHY | DATE 2017/03/03 | MATERIAL NO. | DOCUMENT NO. | |
| | SEE BOM TABLE | | | | | SD-34576-0001 | |
| | | | | | | SHEET NO. 2 OF 22 | |
| | | | | | | THIS DRAWING CONTAINS INFORMATION THAT IS PROPRIETARY TO MOLEX INCORPORATED AND SHOULD NOT BE USED WITHOUT WRITTEN PERMISSION | |

KEY PRODUCT CHARACTERISTICS
(IN ACCORDANCE WITH QN 1805 OR ON 1050)



SAFETY/COMPLIANCE

TOTAL ON DRAWING

4



FIT/FUNCTION

LAST NO. USED

4

| NO | TYPE | DESCRIPTION | RATIONALE | PAGE/ZONE |
|----|------|---------------------------------|------------------------------------|-----------|
| 1 | F/F | 32.68 | IMPROVE CONNECTOR SYSTEM MATING | 15 |
| 2 | F/F | 29.00 | INSURE PROPER RELEASE OF LEVER | 15 |
| 3 | F/F | 15.25 | INSURE FINAL MATE POSITION | 16 |
| 4 | F/F | POSITIONAL TOLERANCE (2 PLACES) | INSURE CONNECTOR SYSTEM MATIBILITY | 19 |

| | | | | | | |
|--|-----------------|--|---|---------------|--|------------------------|
| ENTER DESCRIPTION IEC NO: UAU2017-0870 DRAWN: CHITRALIA 2017/03/27 CHKD: APPR: VKOSHY 2017/03/29 REV: | QUALITY SYMBOLS | GENERAL TOLERANCES (UNLESS SPECIFIED) | DIMENSION STYLE | SCALE | DESIGN UNITS | THIRD ANGLE PROJECTION |
| | ▽=0 | 4 PLACES ± mm ± INCH | MM ONLY | 1:1 | METRIC | ☉ |
| | ▽=0 | 3 PLACES ± 0.13 ± --- ± --- | DRAWN BY SKRAJENDRANA 2016/12/15 | DATE | TITLE | |
| | ▽=0 | 2 PLACES ± 0.25 ± --- ± --- | CHECKED BY VKOSHY 2016/12/15 | DATE | ICD - MX123 18/49/56CKT INTERFACE CONNECTION DRW MOLEX | |
| | | ANGULAR ± 1 ° | APPROVED BY VKOSHY 2017/03/03 | DATE | | |
| | | DRAFT WHERE APPLICABLE MUST REMAIN WITHIN DIMENSIONS | MATERIAL NO. | DOCUMENT NO. | SHEET NO. | |
| | | | SEE BOM TABLE | SD-34576-0001 | 3 OF 22 | |
| | | | THIS DRAWING CONTAINS INFORMATION THAT IS PROPRIETARY TO MOLEX INCORPORATED AND SHOULD NOT BE USED WITHOUT WRITTEN PERMISSION | | | |

| QTY | MFG. | MFG. P/N | DESCRIPTION | Key Option | Wire Dress Option | Key Config. | Color | Status |
|-----|--------|--------------|--|------------|-------------------|-------------|---------|-------------------|
| 1 | MOLEX | 34575-0003 | WIRE HARNESS COVER* | N/A | NA | N/A | BLACK | AVAILABLE |
| 2 | MOLEX | 34851-0007 | HARN CONN ASM 18 CKT | G | 0 | 1358 | BLUE | ACTIVE |
| 3 | MOLEX | 34851-0008 | HARN CONN ASM 18 CKT | H | 0 | 2458 | ST GRAY | ACTIVE |
| 4 | MOLEX | 34851-0019 | HARN CONN ASM 18 CKT | G | 9 | 1358 | BLUE | ACTIVE |
| 5 | MOLEX | 34851-0020 | HARN CONN ASM 18 CKT | H | 9 | 2458 | ST GRAY | ACTIVE |
| 6 | MOLEX | 34576-0103 | HARN CONN ASM 49 CKT | A | 0 | 1458 | BLACK | ACTIVE |
| 7 | MOLEX | 34576-0203 | HARN CONN ASM 49 CKT | B | 0 | 1468 | ST GRAY | NOT ACTIVE |
| 8 | MOLEX | 34576-0303 | HARN CONN ASM 49 CKT | C | 0 | 2467 | BLUE | ACTIVE |
| 9 | MOLEX | 34576-1303 | HARN CONN ASM 49 CKT | A | 9 | 1458 | BLACK | ACTIVE |
| 10 | MOLEX | 34576-1403 | HARN CONN ASM 49 CKT | B | 9 | 1468 | ST GRAY | NOT ACTIVE |
| 11 | MOLEX | 34576-1503 | HARN CONN ASM 49 CKT | C | 9 | 2467 | BLUE | ACTIVE |
| 12 | MOLEX | 34576-0703 | HARN CONN ASM 56 CKT | G | 0 | 1358 | BLUE | AVAILABLE |
| 13 | MOLEX | 34576-0803 | HARN CONN ASM 56 CKT | H | 0 | 2458 | ST GRAY | AVAILABLE |
| 14 | MOLEX | 34576-0903 | HARN CONN ASM 56 CKT | J | 0 | 2457 | BLACK | NOT ACTIVE |
| 15 | MOLEX | 34576-1903 | HARN CONN ASM 56 CKT | G | 9 | 1358 | BLUE | AVAILABLE |
| 16 | MOLEX | 34576-2003 | HARN CONN ASM 56 CKT | H | 9 | 2458 | ST GRAY | NOT ACTIVE |
| 17 | MOLEX | 34576-2103 | HARN CONN ASM 56 CKT | J | 9 | 2457 | BLACK | NOT ACTIVE |
| 18 | MOLEX | 34736-0028 | MX64 RCPT TERM Ag 0.5mm/0.75mm ISO GA8E B (RIGHT PAYOFF) | N/A | N/A | N/A | N/A | AVAILABLE |
| 19 | MOLEX | 34736-0026 | MX64 RCPT TERM Ag 0.35mm ISO B (RIGHT PAYOFF) | N/A | N/A | N/A | N/A | AVAILABLE |
| 20 | MOLEX | 34586-0001 | MX123 0.64MM GROMMET PLUG | N/A | N/A | N/A | N/A | NATURAL AVAILABLE |
| 21 | YAZAKI | 7116-4150-02 | 2.8mm YESC SEALED FEMALE TERMINAL TIN 0.35mm2-0.50mm2 | N/A | N/A | N/A | N/A | NOT ACTIVE |
| 22 | YAZAKI | 7116-4151-02 | 2.8mm YESC SEALED FEMALE TERMINAL TIN 0.75mm2-1.0mm2 | N/A | N/A | N/A | N/A | NOT ACTIVE |
| 23 | YAZAKI | 7116-4152-02 | 2.8mm YESC SEALED FEMALE TERMINAL TIN 1.5mm2-2.5mm2 | N/A | N/A | N/A | N/A | AVAILABLE |
| 24 | YAZAKI | 7158-3111-60 | 2.8mm CABLE SEAL (wire O.D. range 1.2mm-1.9mm) | N/A | N/A | N/A | GREEN | NOT ACTIVE |
| 25 | YAZAKI | 7158-3112-70 | 2.8mm CABLE SEAL (wire O.D. range 1.8mm-2.3mm) | N/A | N/A | N/A | YELLOW | NOT ACTIVE |
| 26 | YAZAKI | 7158-3113-40 | 2.8mm CABLE SEAL (wire O.D. range 2.1mm-3.0mm) | N/A | N/A | N/A | WHITE | AVAILABLE |
| 27 | YAZAKI | 7158-3114-90 | 2.8mm YESC CAVITY PLUG | N/A | N/A | N/A | BLUE | AVAILABLE |
| 28 | DELPHI | 33140138 | 6.35mm APEX RCPT TERM Sn/Ag GRIP CODE-10 (6mm2) - GREASED | N/A | N/A | N/A | N/A | AVAILABLE |
| 29 | DELPHI | 33140135 | 6.35mm APEX RCPT TERM Sn/Ag GRIP CODE-TBD (1mm2) - GREASED | N/A | N/A | N/A | N/A | AVAILABLE |
| 30 | QSR | A-0549C | 6.35mm CABLE SEAL (FOR 6.0mm2 WIRE SIZE - 3.6 TO 4.2mm INSULATION OD) | N/A | N/A | N/A | WHITE | AVAILABLE |
| 31 | QSR | A-0549B | 6.35mm CABLE SEAL (FOR 0.75-1.25mm2 WIRE SIZE - 1.8 TO 2.3mm INSULATION OD) | N/A | N/A | N/A | BLUE | AVAILABLE |
| 32 | MOLEX | 63825-8400 | MX64 TERM HAND CRIMP TOOL | N/A | N/A | N/A | N/A | AVAILABLE |
| 33 | MOLEX | 63813-1400 | MX64 TERM SERVICE TOOL | N/A | N/A | N/A | N/A | AVAILABLE |
| 34 | MOLEX | 63902-5300 | MX64 CRIMP APPLICATOR with TOOL KIT 0.5/0.75mm2 PAYOFF DIRECTION D (left payoff) (contact Molex for payoff detail) | N/A | N/A | N/A | N/A | AVAILABLE |
| 35 | MOLEX | 63902-5370 | MX64 APPLICATOR TOOL KIT 0.5/0.75mm2 | N/A | N/A | N/A | N/A | AVAILABLE |
| 36 | MOLEX | 63902-5100 | MX64 CRIMP APPLICATOR with TOOL KIT 0.35mm2 PAYOFF DIRECTION D (left payoff) (contact Molex for payoff detail) | N/A | N/A | N/A | N/A | AVAILABLE |
| 37 | MOLEX | 63902-5170 | MX64 APPLICATOR TOOL KIT 0.35mm2 | N/A | N/A | N/A | N/A | AVAILABLE |
| 38 | SPX | J35616-64 | 0.64mm PROBE TOOL (for rcpt) | N/A | N/A | N/A | N/A | AVAILABLE |
| 39 | SPX | J35616-64A | 0.64mm PROBE TOOL WITH EXT (for rcpt) | N/A | N/A | N/A | N/A | AVAILABLE |
| 40 | SPX | J35616-65 | 0.64mm PROBE TOOL WITH EXT (for pin) | N/A | N/A | N/A | N/A | AVAILABLE |
| 41 | SPX | J35616-4A | 2.8mm PROBE TOOL (for rcpt) | N/A | N/A | N/A | N/A | AVAILABLE |
| 42 | YAZAKI | X39899-J374 | 2.8mm TERM SERVICE TOOL | N/A | N/A | N/A | N/A | AVAILABLE |
| 43 | TOI | 7000-1001 | 18CKT PASS THROUGH ADAPTERS | N/A | N/A | N/A | BLACK | AVAILABLE |
| 44 | TOI | 7000-1004 | 49CKT PASS THROUGH ADAPTERS | N/A | N/A | N/A | BLACK | AVAILABLE |
| 45 | TOI | 79917-0060 | 56CKT PASS THROUGH ADAPTERS | N/A | N/A | N/A | BLACK | AVAILABLE |
| 46 | MOLEX | 63813-1500 | 6.35mm APEX TERM SERVICE TOOL | N/A | N/A | N/A | N/A | AVAILABLE |

* MX123 WIRE HARNESS COVER MATES TO ANY 18/49/56 CKT MX123 HARN CONN ASSY SHOWN ON THIS TABLE

| | | | | | | |
|--|-----------------|--|-----------------|---------------|--------------|---|
| ENTER DESCRIPTION IEC NO: UAU2017-0870 DRAWN IN ITALY 2017/03/27 CHKD: APPR:VKOSHY 2017/03/29 REV: | QUALITY SYMBOLS | GENERAL TOLERANCES (UNLESS SPECIFIED) | DIMENSION STYLE | SCALE | DESIGN UNITS | THIRD ANGLE PROJECTION |
| | ▽=0 | 4 PLACES ± mm ± INCH | MM ONLY | 1:1 | METRIC | |
| | ▽=0 | 3 PLACES ± 0.13 ± --- | | | | |
| | ▽=0 | 1 PLACE ± 0.25 ± --- | | | | |
| | | ANGULAR ± 1 ° | | | | |
| | | DRAFT WHERE APPLICABLE MUST REMAIN WITHIN DIMENSIONS | SEE BOM TABLE | | | |
| | | | MATERIAL NO. | DOCUMENT NO. | | |
| | | | | SD-34576-0001 | | |
| | | | | | | SHEET NO. 4 OF 22 |
| | | | | | | THIS DRAWING CONTAINS INFORMATION THAT IS PROPRIETARY TO MOLEX INCORPORATED AND SHOULD NOT BE USED WITHOUT WRITTEN PERMISSION |

NOTES: UNLESS OTHERWISE SPECIFIED

1. MATERIAL FOR INTERFACE:

A. RESIN:

- 1. 30% G.F. PBT, 20% MAX. (BY WEIGHT) REGRIND.
- 2. MATING CONNECTOR INTERFACE PART COLOR MUST BE SAME AS MATCHING KEYED HARNESS CONNECTOR ASSEMBLY.
- 3. MUST BE VALIDATED FOR INDIVIDUAL DEVICE APPLICATION REQUIREMENTS.

B. 0.64MM PINS:

- 1. BASE MATERIAL: COPPER ALLOY, CONDUCTIVITY >= 28% IACS AT 20°C, TENSILE STRENGTH >= 635 N/mm², SURFACE ROUGHNESS R_a6 MAX.
- 2. PLATING FINISH: SILVER (Ag) PLATING TO BE 1.9-3.3 μm ELECTRODEPOSITED SEMI-BRIGHT SILVER OVER 1.25-2.25 μm DUCTILE SULPHAMATE NICKEL PER NOTE 1(D).
- 3. ANTI-TARNISH: SYNTHETIC HYDROCARBON CONTACT SURFACE FINISH OR EQUIVALENT APPLIED WITHOUT VOID TO CONTACT AREA (MIN 3.7mm FROM PIN TIP).

C. 2.8MM BLADE:

- 1. BASE MATERIAL: COPPER ALLOY, CONDUCTIVITY >= 28% IACS AT 20°C, TENSILE STRENGTH >= 350 N/mm², SURFACE ROUGHNESS R_a6 MAX.
- 2. PLATING FINISH: TIN PLATING TO BE 2.5-5.0 μm ELECTRODEPOSITED TIN, MATTE FINISH OVER 1.25-2.5μm DUCTILE SULPHAMATE NICKEL PER NOTE 1(D).

D. 6.3MM BLADE:

- 1. BASE MATERIAL: COPPER ALLOY, CONDUCTIVITY >= 50% IACS AT 20°C, TENSILE STRENGTH >= 350 N/mm², SURFACE ROUGHNESS R_a6 MAX.
- 2. PLATING FINISH: SILVER (Ag) PLATING TO BE 1.9-3.3 μm ELECTRODEPOSITED SEMI-BRIGHT SILVER, OVER 1.25-2.5μm DUCTILE SULPHAMATE NICKEL PER NOTE 1(D) WITH ENVIRONMENTAL BARRIER OR TIN/SILVER (ELECTRO-DEPOSITED), UNDERPLATE 0.5-2.0 μm NICKEL OR COPPER, TOP PLATING: 1.0-3.0 μm (SILVER RANGE 3.75-X.XX NO ANTI-TARNISH COATING REQUIRED).

E. PLATING REQUIREMENTS:

- 1. SILVER PLATING
 - a. 99.5% PURE SEMI-BRIGHT WITH NO ORGANIC BRIGHTNERS OR CHROMATES.
- 2. NICKEL PLATING
 - a. ELECTRODEPOSITED DUCTILE SULFAMATE NICKEL WITH A NON-BRIGHTENED FINISH. NO ORGANIC OR BRIGHTENING AGENTS SHALL BE ALLOWED.
 - b. SHALL ONLY BE USED AS AN UNDERLYING PLATING AND MAY NOT BE USED AS AN ELECTRICAL CONTACT SURFACE PLATING.
 - c. SHALL BE NODULE FREE WHEN VIEWED AT 10X MAGNIFICATION IN MEASURED IN CONTACT SURFACE AREA PLUS 0.5MM PERIMETER AROUND THE CONTACT SURFACE AREA.
 - d. ALL PLATINGS SHALL HAVE A 1.0% MAXIMUM BY WEIGHT IMPURITIES. IMPURITIES ARE DEFINED AS ALL ELEMENTS NOT THE PRIMARY PLATING OR HARDENING AGENT IF APPLICABLE, AS DETERMINED BY WET CHEMICAL ANALYSIS OR AUGER METHOD. NO SINGLE IMPURITY SHALL EXCEED 0.1% MAXIMUM BY WEIGHT.
- 3. TESTING
 - a. THICKNESS TO BE MEASURED IN CONTACT SURFACE AREA PLUS 0.5MM PERIMETER AROUND THE CONTACT SURFACE AREA AS DESIGNATED IN THE DRAWING. THICKNESS SHALL BE DETERMINED BY METHOD OF X-RAY (XRF).
 - b. PLATING ADHESION SHALL BE TESTED BY A BEND TEST FOR ALL METALS. THE TEST SAMPLE SHALL BE BENT 90 DEGREES TO DETERMINE DEPOSIT ADHESION. TESTING SHALL BE COMPLETED IN ACCORDANCE WITH ASTM SPEC B571.

2. DESIGN - GENERAL:

- A. THIS IS A 100% CAD GENERATED PART. THE CAD MATHEMATICAL DATA IS THE MASTER FOR THIS PART. WHERE DIMENSIONS ARE SPECIFIED ON THE DRAWING, THE DRAWING IS THE AUTHORITY FOR DIMENSIONAL VALUES. FOR DIMENSIONAL OR ANY INFORMATION NOT SHOWN ON THIS DRAWING, ANALYZE THE CAD MODEL.
- B. DIMENSIONS OBTAINED FROM THE DIGITAL MODEL ARE BASIC:
 - 1. FOR RELATIONSHIPS BETWEEN FEATURES WHEN ESTABLISHED BY GEOMETRIC TOLERANCES.
 - 2. FOR THE FORM OF A FEATURE WHEN CONTROLLED BY A PROFILE TOLERANCE.
 - 3. FOR THE SIZE, FORM AND/OR RELATIONSHIP BETWEEN FIXED DATUM TARGETS.
- C. DIMENSIONS OBTAINED FROM THE DIGITAL MODEL ARE ROUNDED TO TWO DECIMAL PLACES (PER IEEE/ASTM SI 10-2002)
- D. VIEWS AND SECTIONS ON THIS DRAWING ARE IN ACCORDANCE WITH GM DCS SECTION C3.
- E. THE DIGITAL MODEL MUST CORRESPOND TO THE RELEASE LEVEL SHOWN IN THE PART BLOCK ON THIS DOCUMENT.
- F. TOLERANCES:
 - 1. LINEAR 0.X ± 0.30
 - 0.XX ± 0.10
 - 0.XXX ± 0.10
 - 2. ANGULAR X° ± 3°
 - 3.
- G. MINIMUM WALL THICKNESS REQUIRED: 1.3mm.
- H. CORNERS SHOWN AS SHARP TO BE R 0.2 MAX.
- J. LETTERING SHALL BE 0.15 MAX RAISED IN 0.20 MAX RECESS PAD. THIS INCLUDES MATERIAL CODE, RECYCLING CODE, CAVITY ID AND DATE CODE.
- K-1. PARTS MUST BE FREE OF DISCOLORATION, SALT RESIDUE AND OTHER IMPERFECTIONS THAT AFFECT FIT OR FUNCTION.
- K-2. SCRATCHES OR DENTS NOT TO EXCEED 0.013mm IN DEPTH.
- L. FOLLOWING PRODUCTION CODES TO BE PERMANENTLY MARKED & HUMAN READABLE TO A LETTER HEIGHT OF 1.5 ± 0.5MM X 0.3 MAX DEEP
 - 1. MATERIAL #: XXXXX-XXXX
 - 2. DATE CODE: JULY (JULIAN DAY, LAST DIGIT OF YEAR)
 - 3. INSPECTION MACHINE CODE + SERIAL #: X_XXXXX

3. DESIGN - MANUFACTURING:

- A. DRAFT TO BE WITHIN TOLERANCE.
- B. ALLOWABLE FLASH MAX 0.2 HIGH X MAX 0.13 THICK.
- C. ALLOWABLE PARTING LINE MISMATCH 0.2 MAX.
- D. EJECTOR PINS MARK TO BE FLUSH TO 0.25 MAX DEPRESSED.
- E. ALLOWABLE GATE VESTIGE FLUSH TO 0.25 MAX PROTRUSION.
- F. NO EXTERNAL MOLD RELEASE AGENT ALLOWED DURING MANUFACTURING.
- G. STEEL THAT FORMS THE INDICATED SURFACE MUST BE POLISHED WITH A DIAMOND FINISH (SPI A-2) OVER THE FULL PERIPHERY OF THE TOOL. SURFACE MUST HAVE NO MISMATCH.
- H. ANY PROCESS LUBRICANT REMAINING ON THE TERMINAL MUST NOT VARNISH OR DEGRADE IT'S ELECTRICAL PERFORMANCE UP TO A MAXIMUM CLASS AMBIENT TEMPERATURE PER SAE USCAR-2 FOR 1008 HOURS. PROCESS LUBRICANTS SHOULD BE APPROVED BY THE RESPONSIBLE ENGINEER.
- J. OPTIONAL FEATURES PROVIDED FOR AUTOMATION.
- K. PART MUST BE FREE FROM BURRS AND SHARP EDGES, WHICH WILL BE DETRIMENTAL TO SATISFACTORY ASSEMBLY, SAFE HANDLING OR FUNCTION OF PART.
- L. PARTS AS DELIVERED TO ASSEMBLY SHALL BE CLEAN AND FREE OF DEBRIS, RESIDUAL ABRASIVE MATERIAL AND CORROSION PRODUCTS ADVERESLY AFFECTING FUNCTION OR APPEARANCE.
- M. RESTRICTED AND REPORTABLE SUBSTANCES FOR PARTS PER GMW3059.

| | | | | | | |
|--|--|---------------------------------------|---|---------------------|--------------------------------|------------------------|
| ENTER DESCRIPTION IEC NO: UAU2017-0870 DRAWN BY: ITALIA CHKD: CHKO APPR: VKOSHY 2017/03/27 2017/03/29 REV: A4 | QUALITY SYMBOLS | GENERAL TOLERANCES (UNLESS SPECIFIED) | DIMENSION STYLE | SCALE | DESIGN UNITS | THIRD ANGLE PROJECTION |
| | ▽=0 | mm INCH | MM ONLY | 1:1 | METRIC | |
| | ▽=0 | 4 PLACES ± --- ± --- | DRAWN BY: SKRA JENDRANA | DATE: 2016/12/15 | TITLE: ICD - MX123 18/49/56CKT | |
| | ▽=0 | 3 PLACES ± --- ± --- | CHECKED BY: VKOSHY | DATE: 2016/12/15 | INTERFACE CONNECTION DRW | |
| | 2 PLACES ± 0.13 ± --- | 1 PLACE ± 0.25 ± --- | 0 PLACE ± --- ± --- | APPROVED BY: VKOSHY | DATE: 2017/03/03 | |
| | ANGULAR ± 1 ° | | MATERIAL NO. SEE BOM TABLE | | DOCUMENT NO. SD-34576-0001 | SHEET NO. 5 OF 22 |
| | DRAFT WHERE APPLICABLE MUST REMAIN WITHIN DIMENSIONS | | THIS DRAWING CONTAINS INFORMATION THAT IS PROPRIETARY TO MOLEX INCORPORATED AND SHOULD NOT BE USED WITHOUT WRITTEN PERMISSION | | | |

NOTES: UNLESS OTHERWISE SPECIFIED

4. SYSTEM REQUIREMENTS:

A. HARNESS CONNECTOR IS COMPATIBLE WITH THE FOLLOWING WIRE SIZE NO'S:
 0.35mm², MEETING GMW15626 - MIN OD OF 1.20MM
 0.50mm², MEETING GMW15626
 0.75mm², MEETING GMW15626 - MAX OD OF 2.06MM

B. CABLE TIE SPECIFICATIONS:

1. CABLE TIE:
 - TENSILE RATING: 220N / (50lbs) MIN
 - TIE LENGTH: 186mm MIN
 - TIE WIDTH: 4.75mm MAX
 - MATERIAL: NYLON
2. INSTALLATION:
 - CABLE TIE TENSION: 190N MIN
3. DRESSED WIRE BUNDLE PACKAGING: SEE FIG. 1

C. WHEN MATED WITH COMPONENT CONNECTOR INTERFACE AND/OR DRESS COVER, HARNESS CONNECTOR SYSTEM CONFORMS TO THE FOLLOWING:

1. SAE/USCAR-2, REV: 3 APRIL, 2001, CLASS 3
2. FIELD CORRELATED LIFE TEST, SAE/USCAR-20, NOV. 2001
3. GMW #3191 AUGUST 22, 2000 (DRAFT); TEMPERATURE CLASS 3 (145°C), SEALING CLASS 1 (HIGH PRESSURE SPRAY), VIBRATION CLASS 2 (ON BODY)
4. TPA USER FORCES (FULLY POPULATED WITH TERMINALS)
 - a. REMOVAL FROM LOCK TO PRE-SET: <=120N

D. WIRE SPECIFICATIONS:

1. WIRE SURFACE MUST BE FREE OF SCRATCHES, GROOVES OR DENTS WHERE FUNCTIONAL

5. TERMINAL CURRENT RATINGS:

A. MX64 RCPT TERM

ALL TESTING DONE IN ACCORDANCE WITH USCAR-2 REV5 SECTION 5.3

1. MX64 RCPT TERM Ag 0.50/0.75mm² CRIMPED TO 0.75mm² ISO WIRE AND MATED TO MX123 0.64MM PIN: SEE TABLE BELOW
2. MX64 RCPT TERM Ag 0.35mm² CRIMPED TO 0.35mm² ISO WIRE AND MATED TO MX123 0.64MM PIN: SEE TABLE BELOW

| WIRE | CURRENT RATING | | | |
|---------------------|----------------|-------|--------|--------|
| | 23 °C | 85 °C | 105 °C | 125 °C |
| 0.75mm ² | 11.3A | 11.3A | 9.5A | 6.6A |
| 0.50mm ² | 10.0A | 10.0A | 8.3A | 5.7A |
| 0.35mm ² | 8.5A | 8.5A | 7.1A | 5.0A |

B. 2.8MM RCPT TERM

ALL TESTING DONE IN ACCORDANCE WITH MOLEX DVP&R 0279 (TR# 7125)

1. 2.8MM RCPT TERM TIN 2.0mm² CRIMPED TO 2.0mm² ISO WIRE AND MATED TO MX123 2.8MM BLADE: 25.6 AMPS AT 125°C

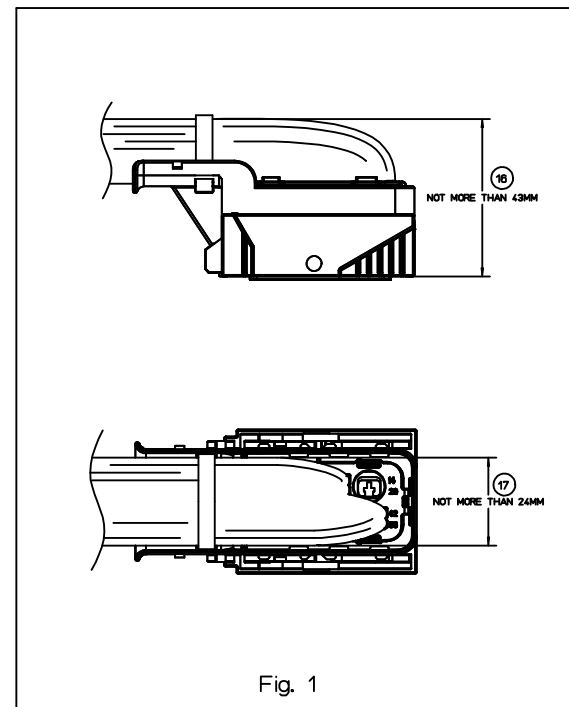
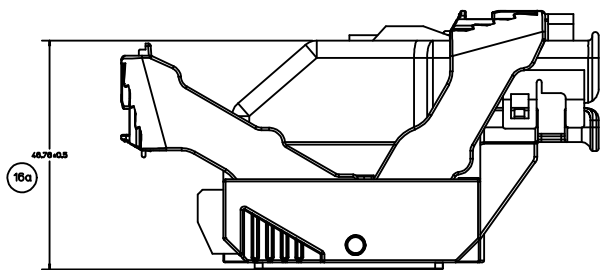
C. 6.3MM RCPT TERM - DELPHI APEX

ALL TESTING DONE IN ACCORDANCE WITH USCAR-2 REV5 SECTION 5.3

1. 6.3MM RCPT TERM TIN/SILVER CRIMPED TO 6.0MM BLADE (Sn/Ag PLATED): 36A AT 125°C
6. CONTACT MOLEX AUTOMOTIVE FOR AVAILABLE CUSTOM PATTERNS OF CAVITIES OPEN FOR CIRCUITS - SEE GM DRAWING 13507495

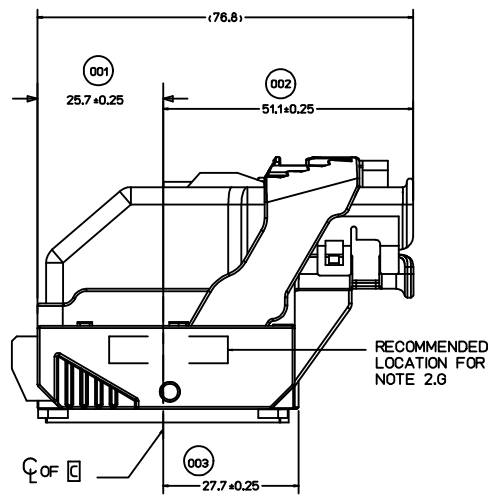
| | | | | | | | |
|---|-----------------|---------------------------------------|---|--|--------------|------------------------|---|
| ENTER DESCRIPTION IEC NO: UAU2017-0870 DRAWN: CHITALLA CHKD: APPR: VKOSHY 2017/03/29 REV: | QUALITY SYMBOLS | GENERAL TOLERANCES (UNLESS SPECIFIED) | DIMENSION STYLE | SCALE | DESIGN UNITS | THIRD ANGLE PROJECTION | |
| | ▽=0 | 4 PLACES ± 0.13 | MM ONLY | 1:1 | METRIC | ☉ | |
| | ▽=0 | 3 PLACES ± 0.25 | ANGULAR ± 1 ° | DRAWN BY: SKRAJENDRANADATE: 2016/12/15 | | | TITLE: ICD - MX123 18/49/56CKT INTERFACE CONNECTION DRW MOLEX |
| | ▽=0 | 2 PLACES ± 0.50 | DRAFT WHERE APPLICABLE MUST REMAIN WITHIN DIMENSIONS | CHECKED BY: VKOSHY DATE: 2016/12/15 | | | |
| | | | APPROVED BY: VKOSHY DATE: 2017/03/03 | | | | |
| | | | MATERIAL NO. | DOCUMENT NO. | | | |
| | | | SEE BOM TABLE | SD-34576-0001 | | | |
| | | | THIS DRAWING CONTAINS INFORMATION THAT IS PROPRIETARY TO MOLEX INCORPORATED AND SHOULD NOT BE USED WITHOUT WRITTEN PERMISSION | | | | |
| | | | | | | SHEET NO. 6 OF 22 | |

20 19 18 17 16 15 14 13 12 11 10 9 8 7 6 5 4 3 2 1

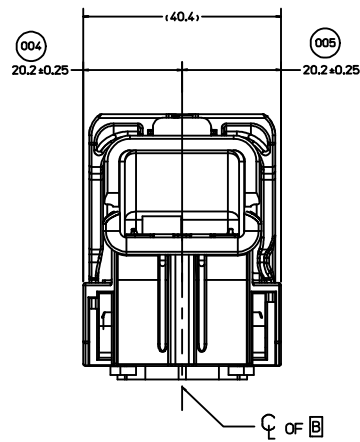


| | | | | | | |
|--|---|---|---|-------------------------------|----------------------|---|
| ENTER DESCRIPTION IEC NO: UAU2017-0870 DRAWN: CHITALIA 2017/03/27 CHKD: APPR: VKOSHY 2017/03/29 | QUALITY SYMBOLS | GENERAL TOLERANCES (UNLESS SPECIFIED) | DIMENSION STYLE | SCALE | DESIGN UNITS | THIRD ANGLE PROJECTION |
| | ∇=0 ∇=0 ∇=0 | mm INCH 4 PLACES ± --- ± --- 3 PLACES ± --- ± --- 2 PLACES ± 0.13 ± --- 1 PLACE ± 0.25 ± --- 0 PLACE ± --- ± --- | MM ONLY | 1:1 | METRIC | SKRAJENDRANA 2016/12/15 VKOSHY 2016/12/15 VKOSHY 2017/03/03 |
| MATERIAL NO. SIZE D | ANGULAR ± 1 ° DRAFT WHERE APPLICABLE MUST REMAIN WITHIN DIMENSIONS | DRAWN BY DATE SKRAJENDRANA 2016/12/15 CHECKED BY DATE VKOSHY 2016/12/15 APPROVED BY DATE VKOSHY 2017/03/03 | TITLE ICD - MX123 18/49/56CKT INTERFACE CONNECTION DRW MOLEX molex | DOCUMENT NO. SD-34576-0001 | SHEET NO. 7 OF 22 | THIS DRAWING CONTAINS INFORMATION THAT IS PROPRIETARY TO MOLEX INCORPORATED AND SHOULD NOT BE USED WITHOUT WRITTEN PERMISSION |

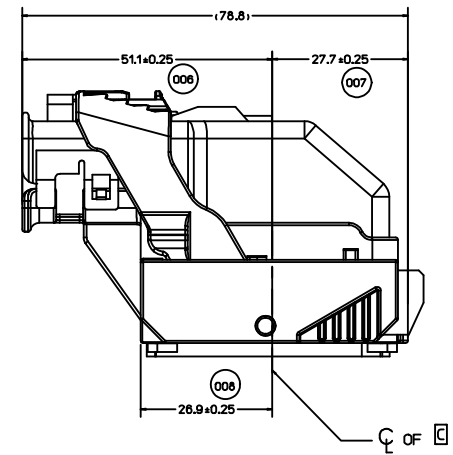
19 18 17 16 15 14 13 12 11 10 9 8 7 6 5 4 3 2 1



WIRE DRESS OPTION 0 SHOWN

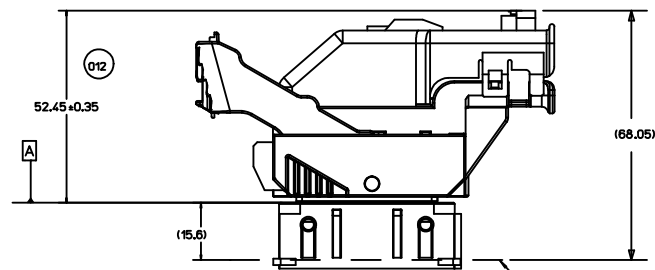


WIRE DRESS OPTION 0 SHOWN

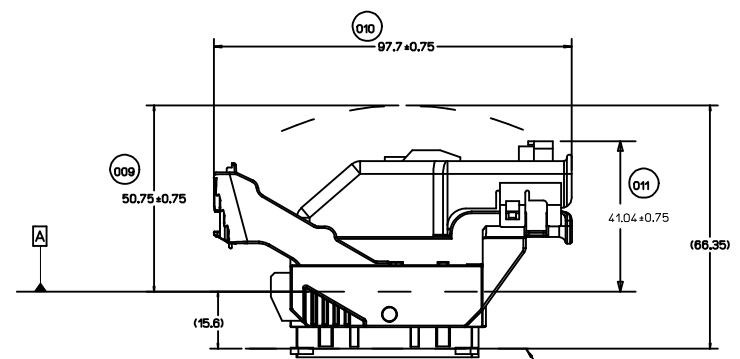


WIRE DRESS OPTION 9 SHOWN

| | | | | | | |
|--|-----------------|--|-----------------|---|--------------------------|------------------------|
| ENTER DESCRIPTION IEC NO: UAU2017-0870 DRAWN: ACHITALLIA 2017/03/27 CHKD: APPR: VKOSHY 2017/03/29 | QUALITY SYMBOLS | GENERAL TOLERANCES (UNLESS SPECIFIED) | DIMENSION STYLE | SCALE | DESIGN UNITS | THIRD ANGLE PROJECTION |
| | ▽=0 | mm | MM ONLY | 1:1 | METRIC | ☉ |
| | ▽=0 | INCH | | | | |
| | ▽=0 | | | | | |
| | 4 PLACES ± | | DRAWN BY | DATE | TITLE | |
| | 3 PLACES ± | | SKRA JENDRANA | 2016/12/15 | ICD - MX123 18/49/56CKT | |
| | 2 PLACES ±0.13 | | CHECKED BY | DATE | INTERFACE CONNECTION DRW | |
| | 1 PLACE ±0.25 | | VKOSHY | 2016/12/15 | MOLEX | |
| | 0 PLACE ± | | APPROVED BY | DATE | molex | |
| | | | VKOSHY | 2017/03/03 | | |
| | | ANGULAR ± 1° | MATERIAL NO. | DOCUMENT NO. | SHEET NO. | |
| | | DRAFT WHERE APPLICABLE MUST REMAIN WITHIN DIMENSIONS | SEE BOM TABLE | SD-34576-0001 | 8 OF 22 | |
| | | | SIZE D | THIS DRAWING CONTAINS INFORMATION THAT IS PROPRIETARY TO MOLEX INCORPORATED AND SHOULD NOT BE USED WITHOUT WRITTEN PERMISSION | | |

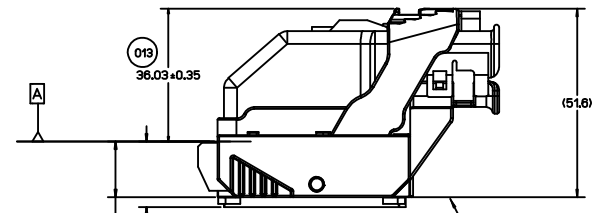


HARNES CONNECTOR CLEARANCE LINE



HARNES CONNECTOR ASSEMBLY
IN PRE-LOCK POSITION

HARNES CONNECTOR CLEARANCE LINE



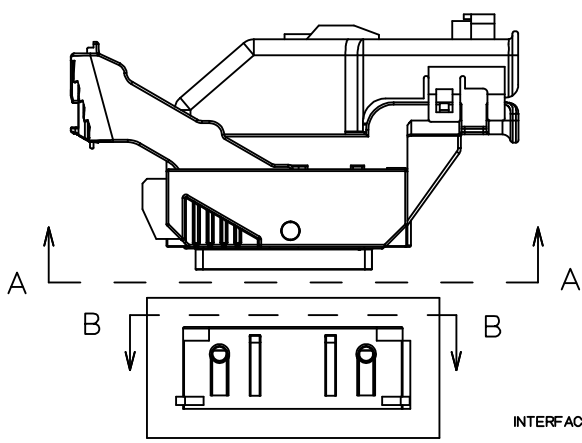
HARNES CONNECTOR CLEARANCE LINE

HARNES CONNECTOR ASSEMBLY
IN FULLY-MATED POSITION

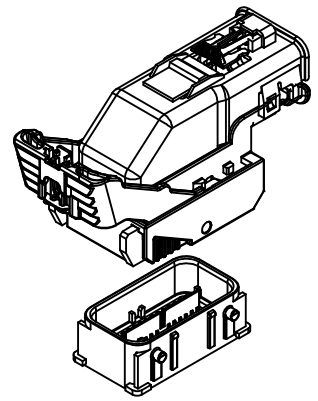
015
7.9 MIN. AT PAD LOCATION
CLEARANCE REQUIRED
FOR HARNES CONNECTOR.
CONSTRUCTION BELOW THIS
PLANE IS NOT CONTROLLED

014
15.6 MIN.
ALL AROUND
CLEARANCE REQUIRED
FOR HARNES CONNECTOR

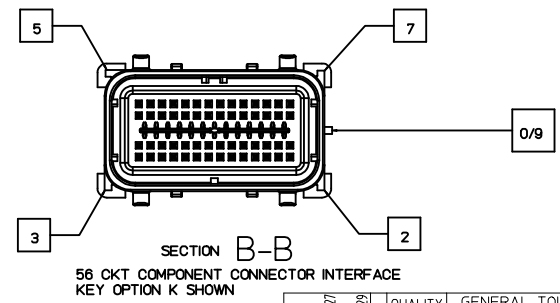
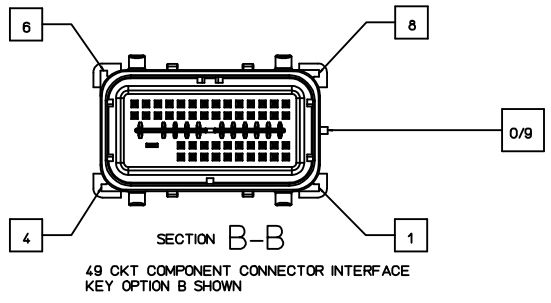
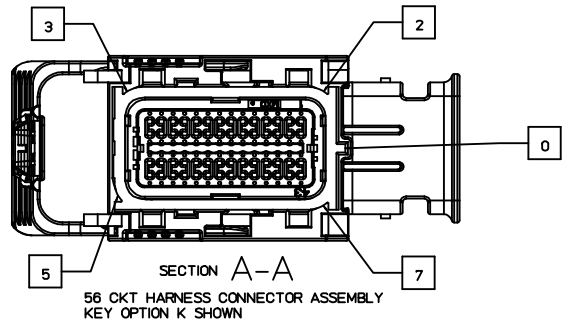
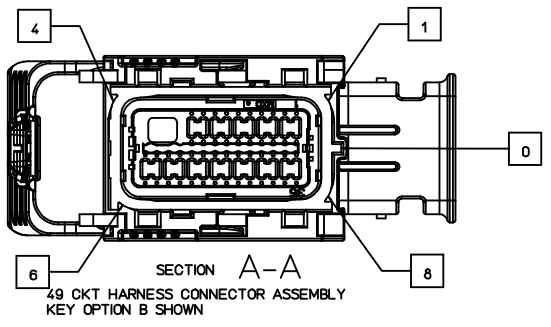
| | | | | | | | |
|---|-----------------|---------------------------------------|--|-----------------|---|---------------|--------------------------|
| ENTER DESCRIPTION IEC NO: UAU2017-0870 DRAWN: ITALIA 2017/03/27 CHKD: APPR: VKOSHY 2017/03/29 REV: | QUALITY SYMBOLS | GENERAL TOLERANCES (UNLESS SPECIFIED) | | DIMENSION STYLE | SCALE | DESIGN UNITS | THIRD ANGLE PROJECTION |
| | ▽=0 | 4 PLACES | ± mm | ± INCH | MM ONLY | 1:1 | METRIC |
| | ▽=0 | 3 PLACES | ± 0.13 | ± 0.005 | | | |
| | ▽=0 | 2 PLACES | ± 0.25 | ± 0.010 | | | |
| | | 0 PLACE | ± 0.50 | ± 0.020 | | | |
| | | | ANGULAR ± 1 ° | | | | |
| | | | DRAFT WHERE APPLICABLE MUST REMAIN WITHIN DIMENSIONS | | | | |
| | | | | | DRAWN BY | DATE | TITLE |
| | | | | | SKRAJENDRANA | 2016/12/15 | ICD - MX123 18/49/56CKT |
| | | | | | CHECKED BY | DATE | INTERFACE CONNECTION DRW |
| | | | | | VKOSHY | 2016/12/15 | MOLEX |
| | | | | | APPROVED BY | DATE | |
| | | | | | VKOSHY | 2017/03/03 | |
| | | | | | MATERIAL NO. | DOCUMENT NO. | SHEET NO. |
| | | | | | SEE BOM TABLE | SD-34576-0001 | 9 OF 22 |
| | | | | | THIS DRAWING CONTAINS INFORMATION THAT IS PROPRIETARY TO MOLEX INCORPORATED AND SHOULD NOT BE USED WITHOUT WRITTEN PERMISSION | | |



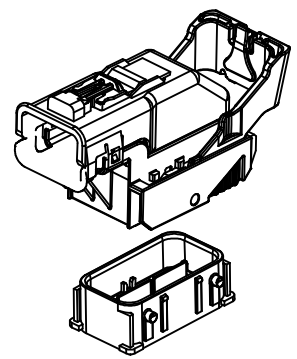
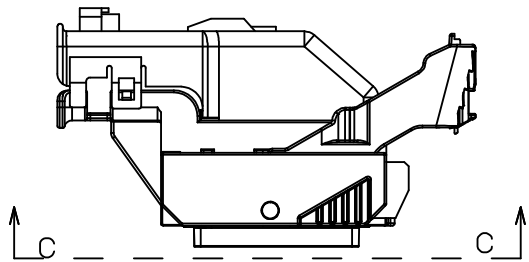
INTERFACE SIDE SHOWN IN ALL SECTION VIEWS



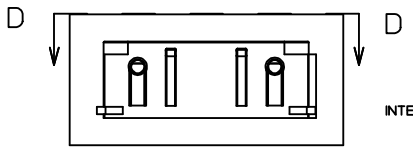
NOTE: REFERENCE THE COMPONENT TABLE FOR KEY OPTIONS AND CONFIGURATIONS



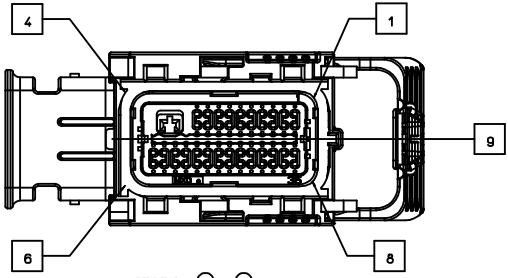
| | | | | | | |
|--|-----------------------|---|-----------------------|-----------------|--|------------------------|
| ENTER DESCRIPTION IEC NO: UAU2017-0870 DRAWN: CHAITALIA 2017/03/27 CHKD: APPR: VKOSHY 2017/03/29 REV: | QUALITY SYMBOLS | GENERAL TOLERANCES (UNLESS SPECIFIED) | DIMENSION STYLE | SCALE | DESIGN UNITS | THIRD ANGLE PROJECTION |
| | ▽=0 | mm INCH | MM ONLY | 1:1 | METRIC | |
| | ▽=0 | 4 PLACES ± --- + --- | DRAWN BY SKRAJENDRANA | DATE 2016/12/15 | TITLE ICD - MX123 18/49/56CKT INTERFACE CONNECTION DRW | |
| | ▽=0 | 3 PLACES ± --- + --- | CHECKED BY VKOSHY | DATE 2016/12/15 | MOLEX | |
| ▽=0 | 2 PLACES ± 0.13 + --- | 1 PLACE ± 0.25 + --- | APPROVED BY VKOSHY | DATE 2017/03/03 | MATERIAL NO. DOCUMENT NO. SD-34576-0001 | |
| | 0 PLACE ± --- + --- | ANGULAR ± 1 ° | SEE BOM TABLE | | SHEET NO. 10 OF 22 | |
| DRAFT WHERE APPLICABLE MUST REMAIN WITHIN DIMENSIONS | | THIS DRAWING CONTAINS INFORMATION THAT IS PROPRIETARY TO MOLEX INCORPORATED AND SHOULD NOT BE USED WITHOUT WRITTEN PERMISSION | | | | |



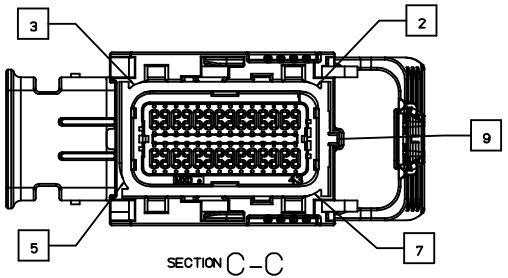
NOTE: REFERENCE THE COMPONENT TABLE FOR KEY OPTIONS AND CONFIGURATIONS



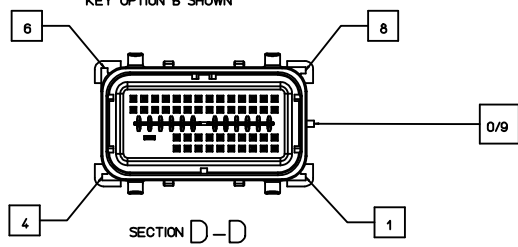
INTERFACE SIDE SHOWN ON ALL SECTION VIEWS



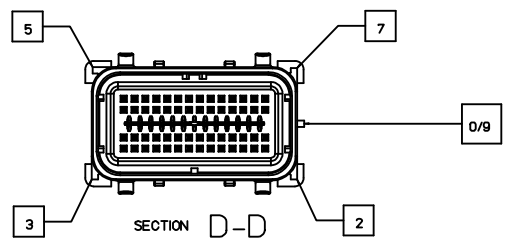
SECTION C-C
49 CKT HARNESS CONNECTOR ASSEMBLY
KEY OPTION B SHOWN



SECTION C-C
56 CKT HARNESS CONNECTOR ASSEMBLY
KEY OPTION K SHOWN

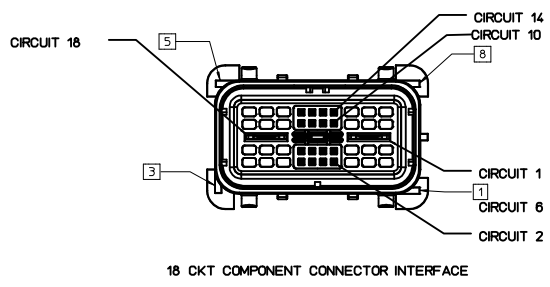
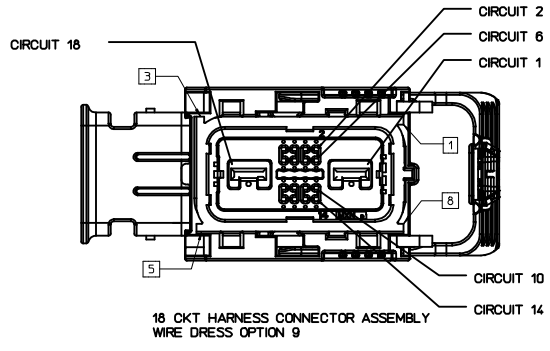
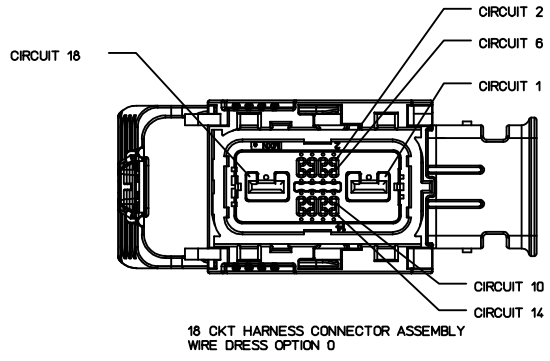


SECTION D-D
49 CKT COMPONENT CONNECTOR INTERFACE
KEY OPTION B SHOWN



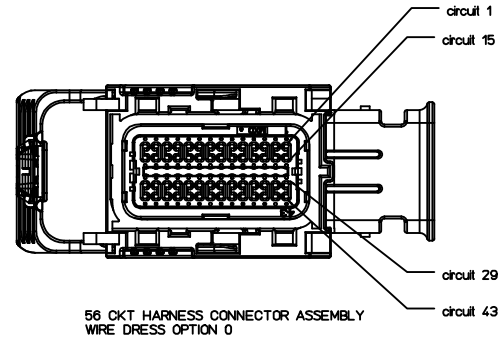
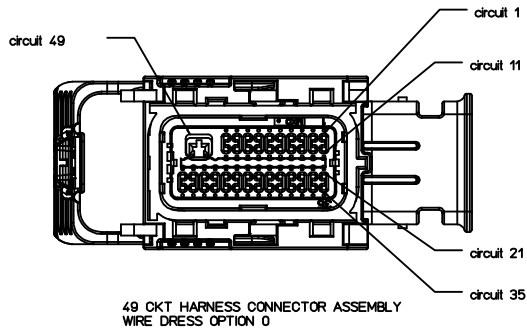
SECTION D-D
56 CKT COMPONENT CONNECTOR INTERFACE
KEY OPTION K SHOWN

| | | | | | | |
|---|-----------------|---------------------------------------|--------------------------|---------------|---|---|
| ENTER DESCRIPTION IEC NO. UAU2017-0870 DRAWN: CHITALIA 2017/03/27 CHKD: APPR: VKOSHY 2017/03/29 | QUALITY SYMBOLS | GENERAL TOLERANCES (UNLESS SPECIFIED) | DIMENSION STYLE | SCALE | DESIGN UNITS | THIRD ANGLE PROJECTION |
| | ▽=0 | mm INCH | MM ONLY | 1:1 | METRIC | ☉ |
| | ▽=0 | 4 PLACES ± --- | SKRA JENDRANA 2016/12/15 | DATE | TITLE | |
| | ▽=0 | 3 PLACES ± --- | SKRA JENDRANA 2016/12/15 | DATE | ICD - MX123 18/49/56CKT INTERFACE CONNECTION DRW MOLEX | |
| ▽=0 | 2 PLACES ± 0.13 | VKOSHY 2016/12/15 | DATE | APPROVED BY | | MATERIAL NO. SKR-34576-0001 DOCUMENT NO. SD-34576-0001 SHEET NO. 11 OF 22 |
| ▽=0 | 1 PLACE ± 0.25 | VKOSHY 2017/03/03 | DATE | SEE BOM TABLE | | |
| REV | DESCRIPTION | ANGULAR ± 1° | DRAFT WHERE APPLICABLE | | THIS DRAWING CONTAINS INFORMATION THAT IS PROPRIETARY TO MOLEX INCORPORATED AND SHOULD NOT BE USED WITHOUT WRITTEN PERMISSION | |
| A4 | | MUST REMAIN WITHIN DIMENSIONS | | | | |

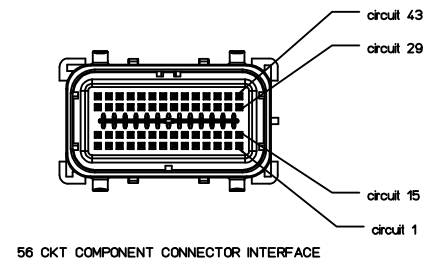
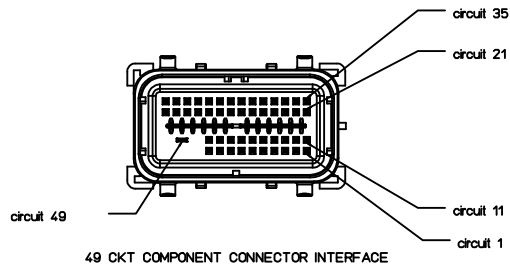
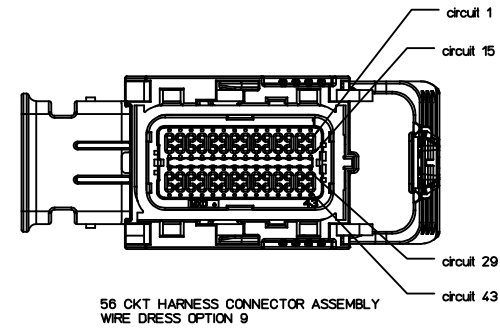
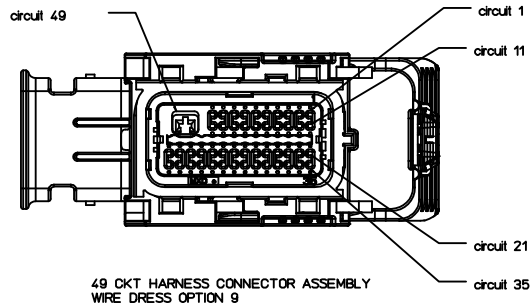


INTERFACE SIDE SHOWN ON ALL VIEWS

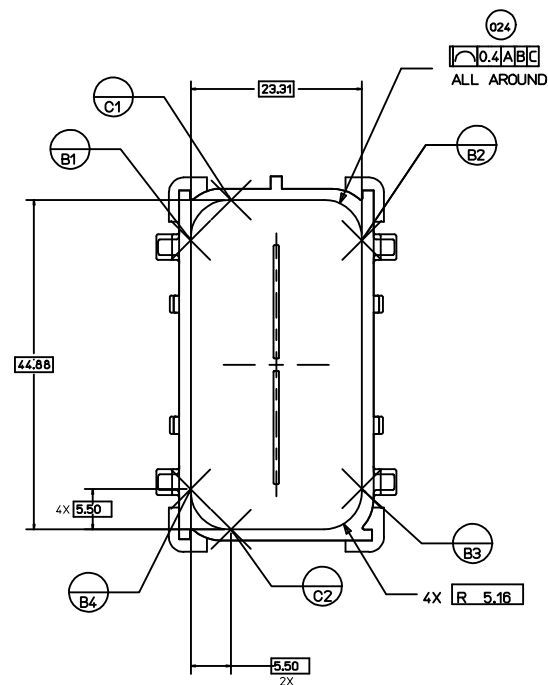
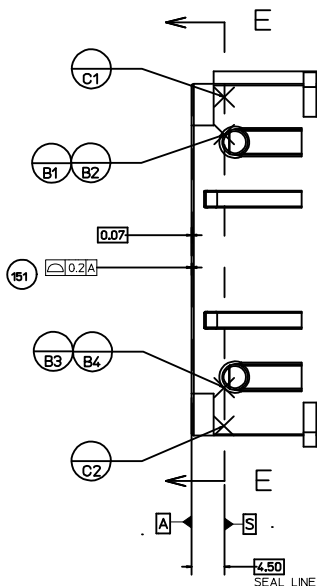
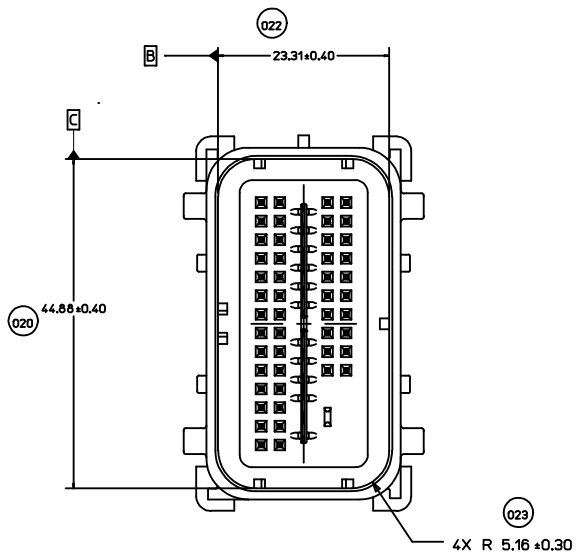
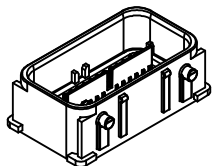
| | | | | | | | | | | | | | | | | | | | | | | | | | |
|---|------------------------|-------|--|------|----|------|-----|----------------|-------|-----|----------------|-------|-----|-----------------|-------|-----|----------------|-------|-----|---------------|-------|--|---|--|-----------------------|
| ENTER DESCRIPTION EC NO: UAU2017-0870 DRAWN: ACHITALLIA 2017/03/27 CHKD: APPR: VKOSHY 2017/03/29 REV DESCRIPTION | QUALITY SYMBOLS | | GENERAL TOLERANCES (UNLESS SPECIFIED) <table border="1"> <tr> <td></td> <td>mm</td> <td>INCH</td> </tr> <tr> <td>▽=0</td> <td>4 PLACES ± ---</td> <td>± ---</td> </tr> <tr> <td>▽=0</td> <td>3 PLACES ± ---</td> <td>± ---</td> </tr> <tr> <td>▽=0</td> <td>2 PLACES ± 0.13</td> <td>± ---</td> </tr> <tr> <td>▽=0</td> <td>1 PLACE ± 0.25</td> <td>± ---</td> </tr> <tr> <td>▽=0</td> <td>0 PLACE ± ---</td> <td>± ---</td> </tr> </table> ANGULAR ± 1 ° DRAFT WHERE APPLICABLE MUST REMAIN WITHIN DIMENSIONS | | mm | INCH | ▽=0 | 4 PLACES ± --- | ± --- | ▽=0 | 3 PLACES ± --- | ± --- | ▽=0 | 2 PLACES ± 0.13 | ± --- | ▽=0 | 1 PLACE ± 0.25 | ± --- | ▽=0 | 0 PLACE ± --- | ± --- | DIMENSION STYLE MM ONLY DRAWN BY SKRAJENDRANA 2016/12/15 DATE CHECKED BY VKOSHY 2016/12/15 DATE APPROVED BY VKOSHY 2017/03/03 DATE | SCALE 1:1 DESIGN UNITS METRIC THIRD ANGLE PROJECTION | TITLE ICD - MX123 18/49/56CKT INTERFACE CONNECTION DRW MOLEX molex MATERIAL NO. SEE BOM TABLE DOCUMENT NO. SD-34576-0001 | SHEET NO. 12 OF 22 |
| | | mm | | INCH | | | | | | | | | | | | | | | | | | | | | |
| ▽=0 | 4 PLACES ± --- | ± --- | | | | | | | | | | | | | | | | | | | | | | | |
| ▽=0 | 3 PLACES ± --- | ± --- | | | | | | | | | | | | | | | | | | | | | | | |
| ▽=0 | 2 PLACES ± 0.13 | ± --- | | | | | | | | | | | | | | | | | | | | | | | |
| ▽=0 | 1 PLACE ± 0.25 | ± --- | | | | | | | | | | | | | | | | | | | | | | | |
| ▽=0 | 0 PLACE ± --- | ± --- | | | | | | | | | | | | | | | | | | | | | | | |
| SIZE D THIS DRAWING CONTAINS INFORMATION THAT IS PROPRIETARY TO MOLEX INCORPORATED AND SHOULD NOT BE USED WITHOUT WRITTEN PERMISSION | | | | | | | | | | | | | | | | | | | | | | | | | |



INTERFACE SIDE SHOWN ON ALL VIEWS



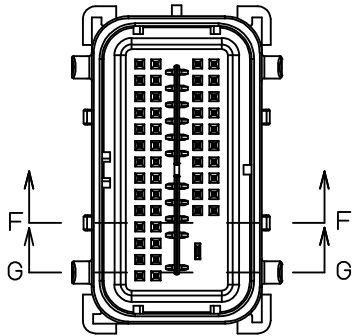
| | | | | | | |
|---|-----------------|--|---|----------------------------|---|------------------------|
| ENTER DESCRIPTION IEC NO: UAU2017-0870 DRAWN IN: AUSTRALIA CHKD: APPR: VKOSHY DATE: 2017/03/27 REV: | QUALITY SYMBOLS | GENERAL TOLERANCES (UNLESS SPECIFIED) | DIMENSION STYLE | SCALE | DESIGN UNITS | THIRD ANGLE PROJECTION |
| | ▽=0 | 4 PLACES ± mm ± INCH | MM ONLY | 1:1 | METRIC | |
| | ▽=0 | 3 PLACES ± 0.13 | | | | |
| | ▽=0 | 2 PLACES ± 0.25 | | | | |
| | | ANGULAR ± 1° | | | | |
| | | DRAFT WHERE APPLICABLE MUST REMAIN WITHIN DIMENSIONS | | | | |
| | | | DRAWN BY: SKRAJENDRANA | DATE: 2016/12/15 | TITLE: ICD - MX123 18/49/56CKT INTERFACE CONNECTION DRW | |
| | | | CHECKED BY: VKOSHY | DATE: 2016/12/15 | | |
| | | | APPROVED BY: VKOSHY | DATE: 2017/03/03 | | |
| | | | MATERIAL NO. SEE BOM TABLE | DOCUMENT NO. SD-34576-0001 | | |
| | | | | | | SHEET NO. 13 OF 22 |
| | | | THIS DRAWING CONTAINS INFORMATION THAT IS PROPRIETARY TO MOLEX INCORPORATED AND SHOULD NOT BE USED WITHOUT WRITTEN PERMISSION | | | |



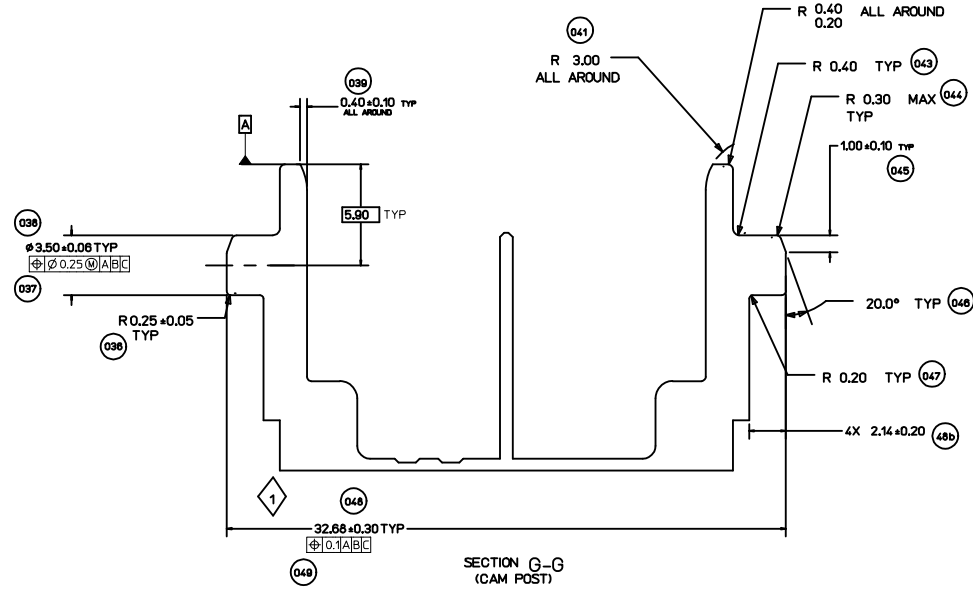
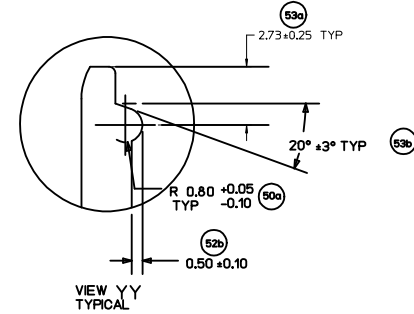
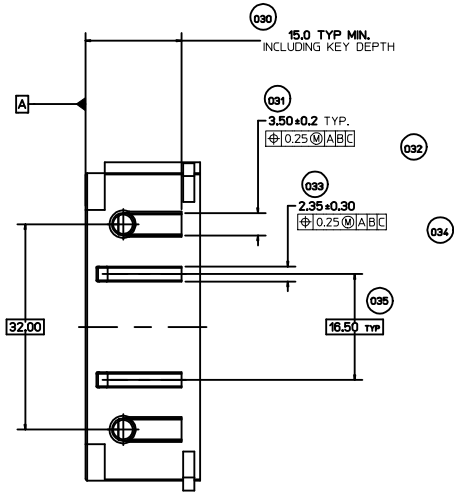
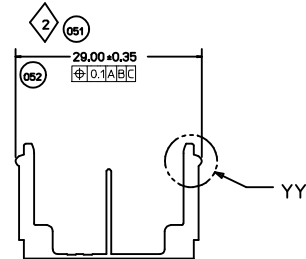
SECTION E-E
(AT SEAL LINE)

UNLESS SPECIFIED, TOLERANCE OF THE DEVICE INTERFACE TO BE $\boxed{0.13ABC}$

| | | | | | | |
|--|--|--|--|-------------------------------|-------------------------------|--|
| ENTER DESCRIPTION IEC NO: UAU2017-0870 DRAWN BY: CHYK APPR: VKOSHY DATE: 2017/03/27 2017/03/29 | QUALITY SYMBOLS | GENERAL TOLERANCES (UNLESS SPECIFIED) | DIMENSION STYLE | SCALE | DESIGN UNITS | THIRD ANGLE PROJECTION |
| | $\nabla=0$ $\nabla=0$ $\nabla=0$ | mm INCH 4 PLACES ± --- ± --- 3 PLACES ± 0.13 ± --- 2 PLACES ± 0.25 ± --- 1 PLACE ± --- ± --- 0 PLACE ± --- ± --- | MM ONLY | 1:1 | METRIC | <input checked="" type="checkbox"/> THIRD ANGLE <input type="checkbox"/> PROJECTION |
| | DRAFT WHERE APPLICABLE MUST REMAIN WITHIN DIMENSIONS | ANGULAR ± 1 ° SEE BOM TABLE | DRAWN BY: SKRA JENDRANA CHECKED BY: VKOSHY APPROVED BY: VKOSHY DATE: 2016/12/15 DATE: 2016/12/15 DATE: 2017/03/03 | MATERIAL NO: SD-34576-0001 | DOCUMENT NO: SD-34576-0001 | SHEET NO: 14 OF 22 |
| | THIS DRAWING CONTAINS INFORMATION THAT IS PROPRIETARY TO MOLEX INCORPORATED AND SHOULD NOT BE USED WITHOUT WRITTEN PERMISSION | | | | | |

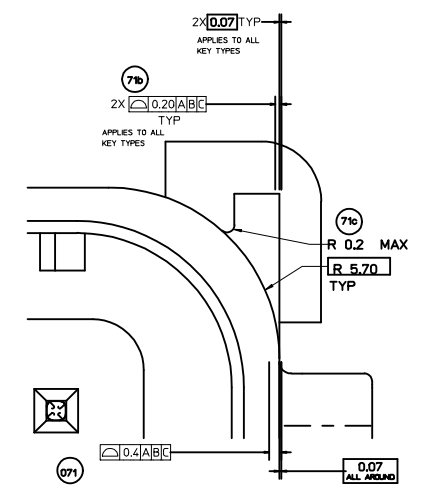
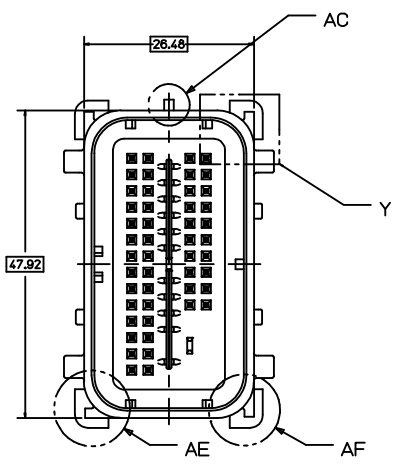
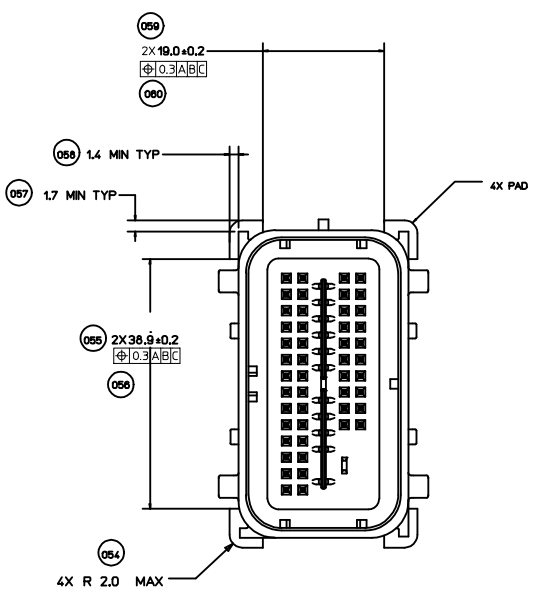


SECTION F-F
(RELEASE FEATURE)

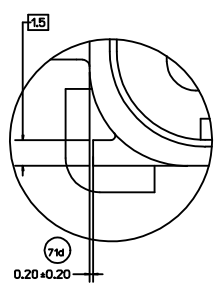
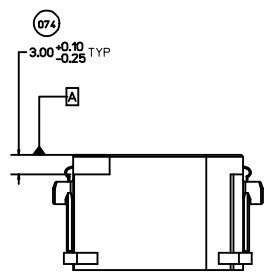
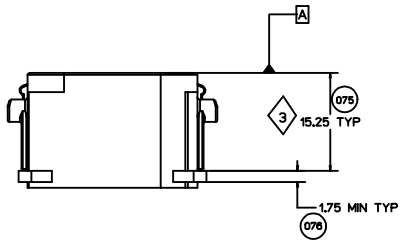


| | | | | | | |
|--|--|---------------------------------------|-----------------|---------------|---|------------------------|
| ENTER DESCRIPTION ELEC NO: UAU2017-0870 DRAWN IN ITALY 2017/03/27 CHKD: APPR: VKOSHY | QUALITY SYMBOLS | GENERAL TOLERANCES (UNLESS SPECIFIED) | DIMENSION STYLE | SCALE | DESIGN UNITS | THIRD ANGLE PROJECTION |
| | ▽=0 | mm | MM ONLY | 1:1 | METRIC | ☉ |
| | ▽=0 | INCH | | | | |
| | ▽=0 | | | | | |
| | 4 PLACES +---+--- | | DRAWN BY | DATE | TITLE | |
| | 3 PLACES +---+--- | | SKRAJENDRANA | 2016/12/15 | ICD - MX123 18/49/56CKT | |
| | 2 PLACES +---+--- | | CHECKED BY | DATE | INTERFACE CONNECTION DRW | |
| | 1 PLACE +---+--- | | VKOSHY | 2016/12/15 | MOLEX | |
| | 0 PLACE +---+--- | | APPROVED BY | DATE | molex SEE BOM TABLE SD-34576-0001 | |
| | | | VKOSHY | 2017/03/03 | | |
| | ANGULAR ± 1 ° | | MATERIAL NO. | DOCUMENT NO. | SHEET NO. | |
| | DRAFT WHERE APPLICABLE MUST REMAIN WITHIN DIMENSIONS | | SEE BOM TABLE | SD-34576-0001 | 15 OF 22 | |
| | | | SIZE | | THIS DRAWING CONTAINS INFORMATION THAT IS PROPRIETARY TO MOLEX INCORPORATED AND SHOULD NOT BE USED WITHOUT WRITTEN PERMISSION | |

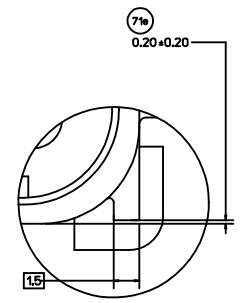
20 19 18 17 16 15 14 13 12 11 10 9 8 7 6 5 4 3 2 1



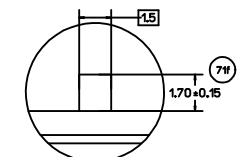
DETAIL Y



VIEW AE
KEY TYPE 2



VIEW AE
KEY TYPE 1



VIEW AC
KEY TYPE 3

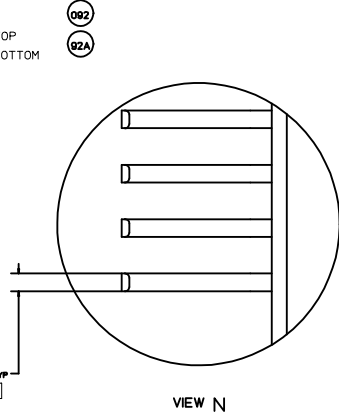
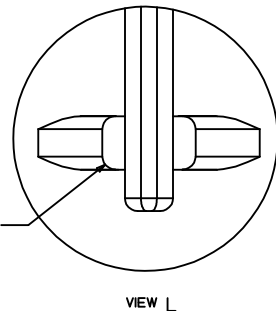
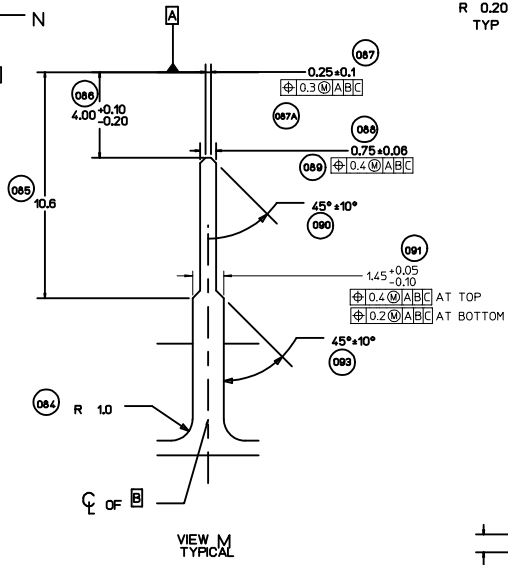
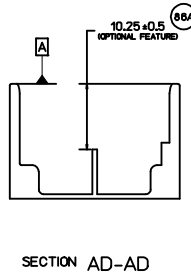
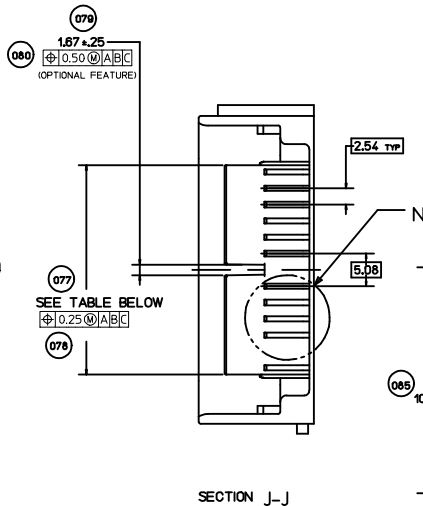
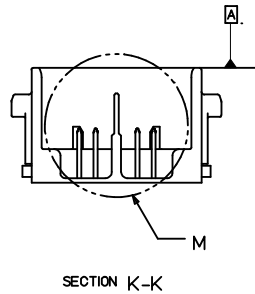
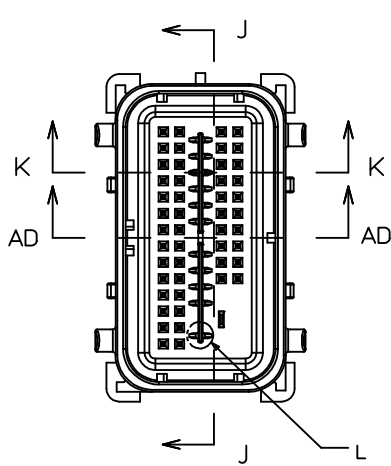
| | | | | | | |
|--|--------------------|--|---|---------------|--------------|------------------------|
| ENTER DESCRIPTION IEC NO: UAU2017-0870 DRAWN: CHITALIA CHKD: APPR: VKOSHY 2017/03/27 2017/03/29 A4 | QUALITY SYMBOLS | GENERAL TOLERANCES (UNLESS SPECIFIED) | DIMENSION STYLE | SCALE | DESIGN UNITS | THIRD ANGLE PROJECTION |
| | ▽=0 | mm INCH | MM ONLY | 1:1 | METRIC | |
| | ▽=0 | 4 PLACES +--- +--- | | | | |
| | ▽=0 | 3 PLACES +--- +--- | | | | |
| | ▽=0 | 2 PLACES +0.13 +--- | | | | |
| | 1 PLACE +0.25 +--- | ANGULAR ± 1 ° | | | | |
| | 0 PLACE +--- +--- | DRAFT WHERE APPLICABLE MUST REMAIN WITHIN DIMENSIONS | | | | |
| | | | MATERIAL NO. | DOCUMENT NO. | | |
| | | | SEE BOM TABLE | SD-34576-0001 | | |
| | | | THIS DRAWING CONTAINS INFORMATION THAT IS PROPRIETARY TO MOLEX INCORPORATED AND SHOULD NOT BE USED WITHOUT WRITTEN PERMISSION | | | |

ICD - MX123 18/49/56CKT
INTERFACE CONNECTION DRW
MOLEX

molex

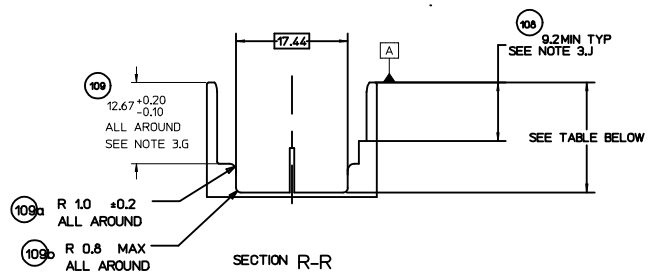
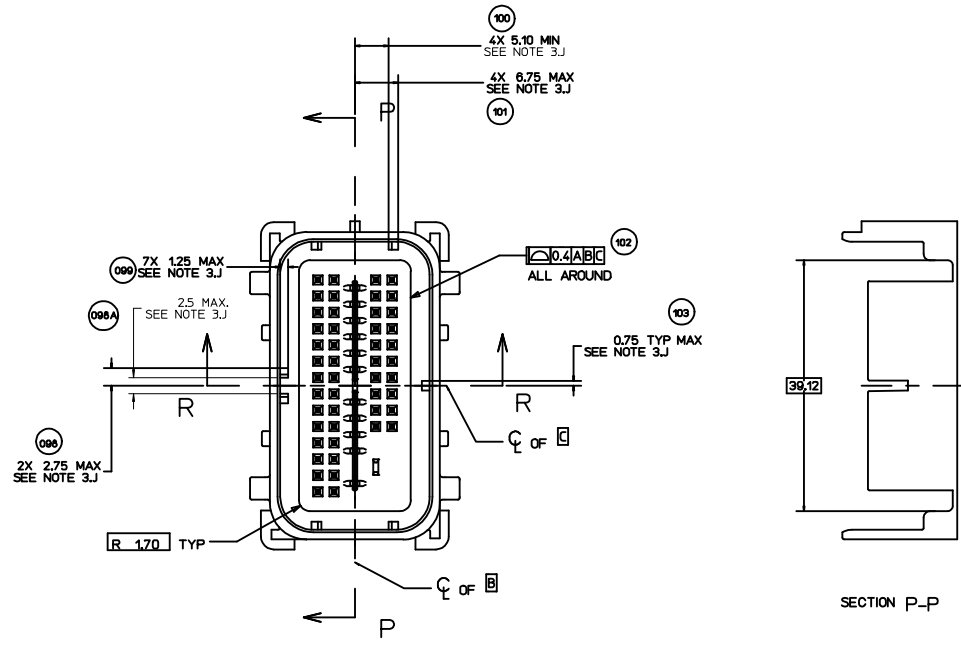
SHEET NO.
16 OF 22

19 18 17 16 15 14 13 12 11 10 9 8 7 6 5 4 3 2 1



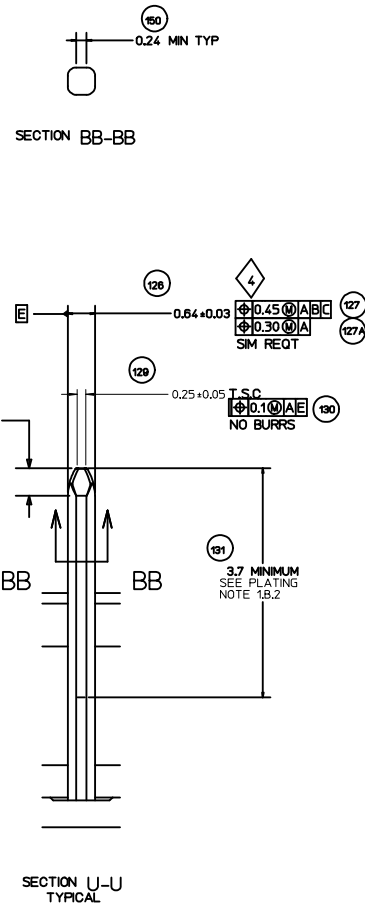
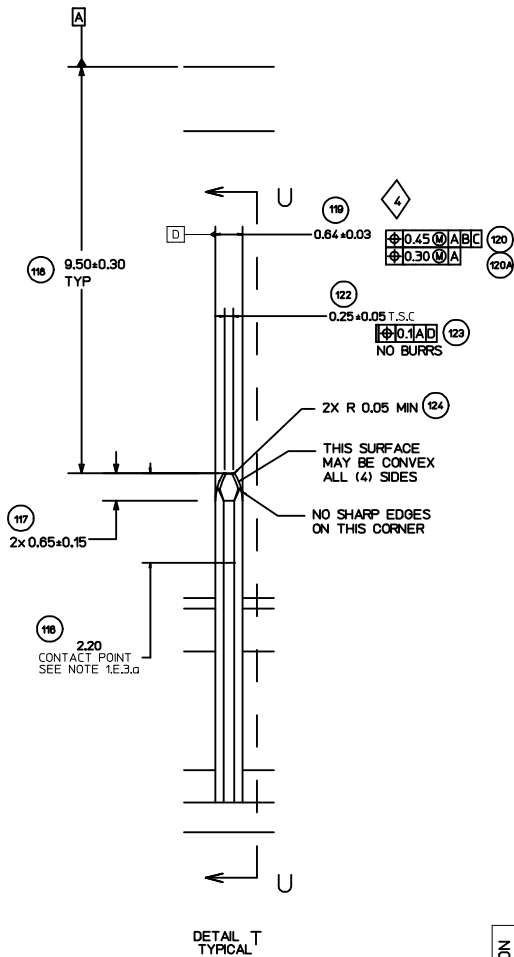
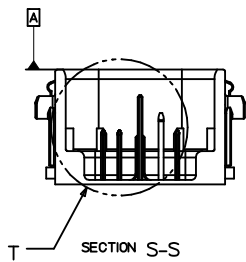
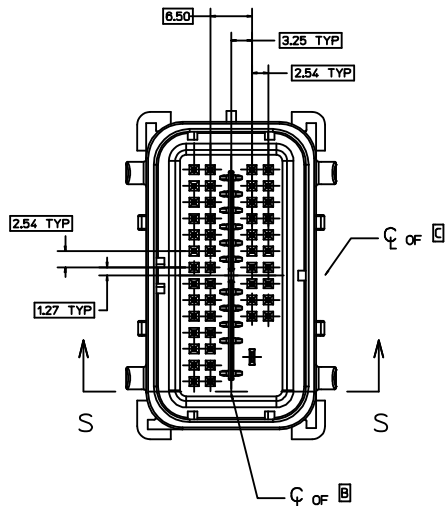
| CKT | DIM (077) |
|-------------|-------------------|
| 49 / 56 CKT | 32.60 +0.10/-0.60 |
| 18 CKT | 10.04 +0.10/-0.60 |

| | | | | | | | |
|--|--|--|--|--|--|--|--|
| ENTER DESCRIPTION IEC NO: UAU2017-0870 DRAWN IN ITALY 2017/03/27 CHKD: APPR:VKOSHY APPR:VKOSHY 2017/03/29 | QUALITY SYMBOLS | GENERAL TOLERANCES (UNLESS SPECIFIED) | DIMENSION STYLE | SCALE | DESIGN UNITS | THIRD ANGLE PROJECTION | |
| | ∇=0 ∇=0 ∇=0 | 4 PLACES ± mm ± INCH 3 PLACES ± --- ± --- 2 PLACES ± 0.13 ± --- 1 PLACE ± 0.25 ± --- 0 PLACE ± --- ± --- | MM ONLY | 1:1 | METRIC | SKRA JENDRANA 2016/12/15 VKOSHY 2016/12/15 VKOSHY 2017/03/03 | ICD - MX123 18/49/56CKT INTERFACE CONNECTION DRW MOLEX molex |
| | ANGULAR ± 1 ° DRAFT WHERE APPLICABLE MUST REMAIN WITHIN DIMENSIONS | SEE BOM TABLE THIS DRAWING CONTAINS INFORMATION THAT IS PROPRIETARY TO MOLEX INCORPORATED AND SHOULD NOT BE USED WITHOUT WRITTEN PERMISSION | MATERIAL NO. DOCUMENT NO. | SKRA JENDRANA 2016/12/15 VKOSHY 2016/12/15 VKOSHY 2017/03/03 | SD-34576-0001 | SHEET NO. 17 OF 22 | |
| | A4 | SEE BOM TABLE | SKRA JENDRANA 2016/12/15 VKOSHY 2016/12/15 VKOSHY 2017/03/03 | SKRA JENDRANA 2016/12/15 VKOSHY 2016/12/15 VKOSHY 2017/03/03 | SKRA JENDRANA 2016/12/15 VKOSHY 2016/12/15 VKOSHY 2017/03/03 | SKRA JENDRANA 2016/12/15 VKOSHY 2016/12/15 VKOSHY 2017/03/03 | |

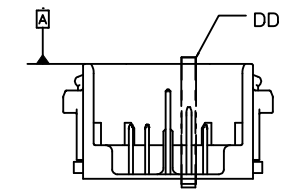
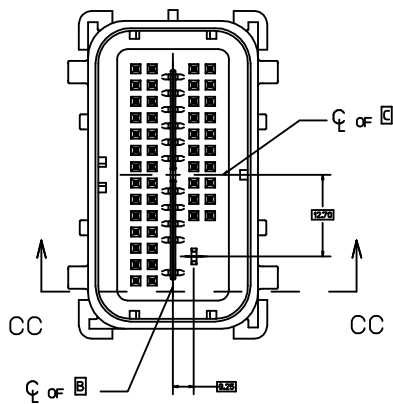


| CKT | DIM 100 |
|-------------|-------------------|
| 49 / 56 CKT | 17.20 +0.20/-0.10 |
| 18 CKT | 17.50 +0.20/-0.10 |

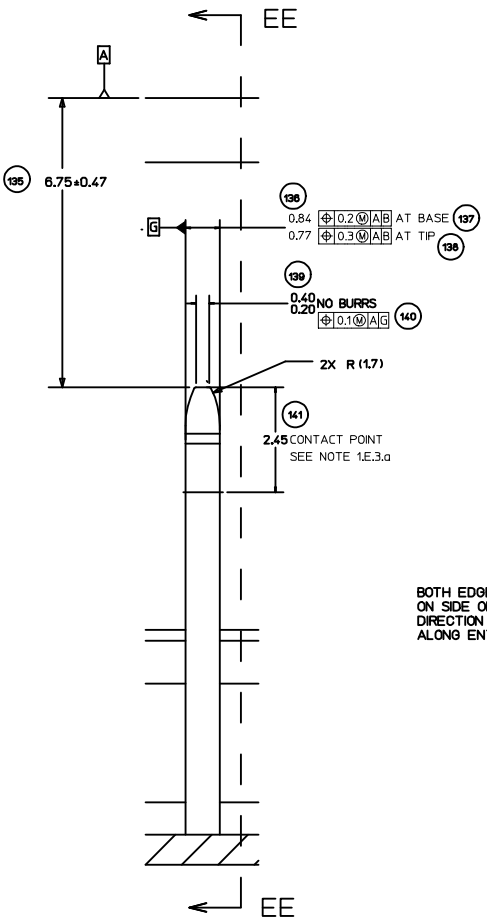
| | | | | | | | | |
|--|---|---|---|--|--|-------------------------------|-------------------------------|-----------------------|
| ENTER DESCRIPTION IEC NO: UAU2017-0870 DRAWN IN ITALY 2017/03/27 CHKD: APPR: VKOSHY 2017/03/29 A4 | QUALITY SYMBOLS ▽=0 ▽=0 ▽=0 | GENERAL TOLERANCES (UNLESS SPECIFIED) mm INCH 4 PLACES ± --- + --- 3 PLACES ± --- + --- 2 PLACES ± 0.13 + --- 1 PLACE ± 0.25 + --- 0 PLACE ± --- + --- ANGULAR ± 1 ° DRAFT WHERE APPLICABLE MUST REMAIN WITHIN DIMENSIONS | DIMENSION STYLE MM ONLY DRAWN BY SKRAJENDRANA 2016/12/15 CHECKED BY DATE VKOSHY 2016/12/15 APPROVED BY DATE VKOSHY 2017/03/03 | SCALE 1:1 DESIGN UNITS METRIC THIRD ANGLE PROJECTION | TITLE ICD - MX123 18/49/56CKT INTERFACE CONNECTION DRW MOLEX molex | MATERIAL NO. SEE BOM TABLE | DOCUMENT NO. SD-34576-0001 | SHEET NO. 18 OF 22 |
| | THIS DRAWING CONTAINS INFORMATION THAT IS PROPRIETARY TO MOLEX INCORPORATED AND SHOULD NOT BE USED WITHOUT WRITTEN PERMISSION | | | | | | | |
| | SIZE D | | | | | | | |
| | SIZE D | | | | | | | |



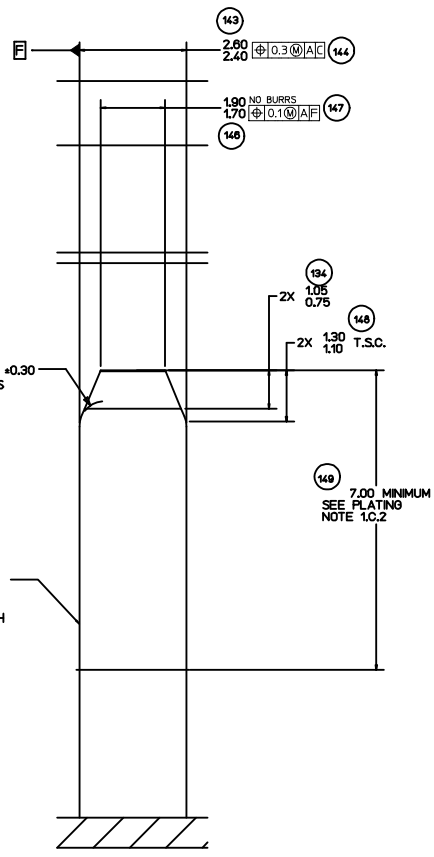
| | | | | | | |
|---|--|---------------------------------------|---|------------|--------------------------|------------------------|
| ENTER DESCRIPTION IEC NO: UAU2017-0870 DRAWN: CHTALIA 2017/03/27 CHKD: APPR: VKOSHY 2017/03/29 | QUALITY SYMBOLS | GENERAL TOLERANCES (UNLESS SPECIFIED) | DIMENSION STYLE | SCALE | DESIGN UNITS | THIRD ANGLE PROJECTION |
| | ▽=0 | mm INCH | MM ONLY | 1:1 | METRIC | |
| | ▽=0 | 4 PLACES ± --- + --- | DRAWN BY | DATE | TITLE | |
| | ▽=0 | 3 PLACES ± --- + --- | SKRAJENDRANA 2016/12/15 | 2016/12/15 | ICD - MX123 18/49/56CKT | |
| | 2 PLACES ± 0.13 ± --- | CHECKED BY | DATE | | INTERFACE CONNECTION DRW | |
| | 1 PLACE ± 0.25 ± --- | APPROVED BY | DATE | | MOLEX | |
| | 0 PLACE ± --- ± --- | VKOSHY 2017/03/03 | | | | |
| | ANGULAR ± 1 ° | MATERIAL NO. | DOCUMENT NO. | | | |
| | DRAFT WHERE APPLICABLE MUST REMAIN WITHIN DIMENSIONS | SEE BOM TABLE | SD-34576-0001 | | | |
| | | SIZE | THIS DRAWING CONTAINS INFORMATION THAT IS PROPRIETARY TO MOLEX INCORPORATED AND SHOULD NOT BE USED WITHOUT WRITTEN PERMISSION | | | |



SECTION CC-CC



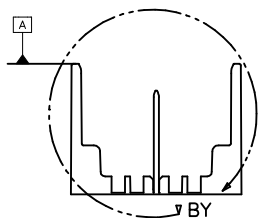
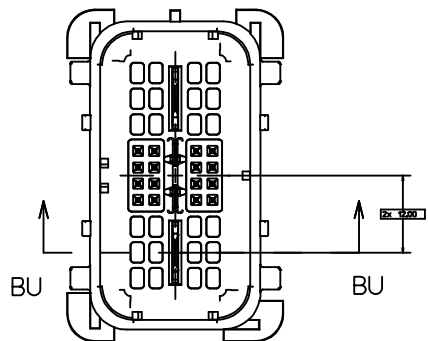
DETAIL DD TYPICAL



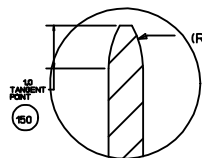
SECTION EE-EE TYPICAL

BOTH EDGES COINED ON SIDE OPPOSITE DIRECTION OF PUNCH ALONG ENTIRE LENGTH

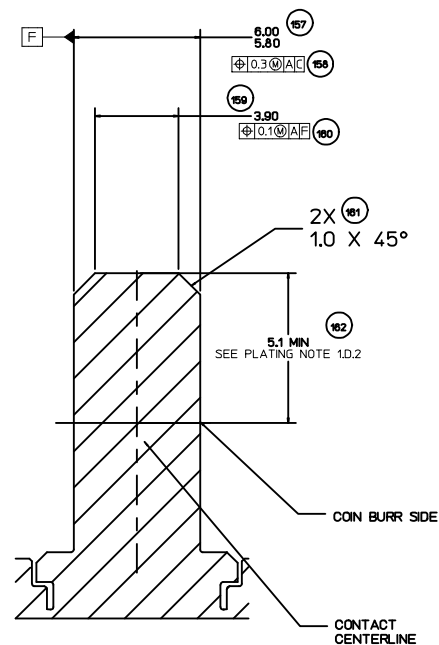
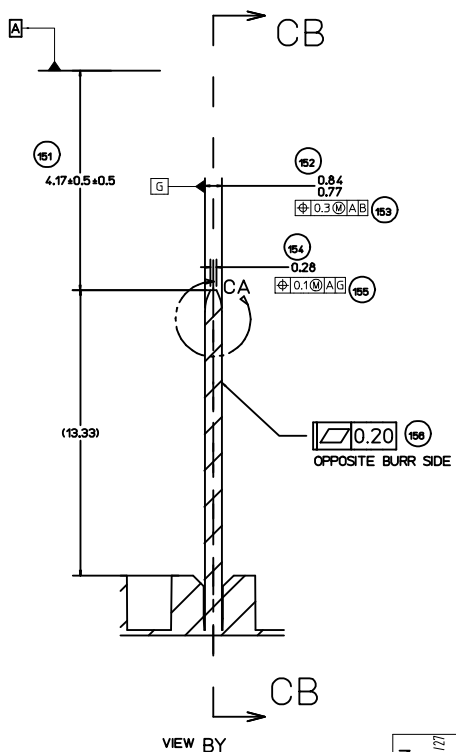
| | | | | | | | | | | | | |
|---|--------------------------------------|--|--|--|-------------------------------|--|-------------------------------|--|------------------------|--|---|--|
| ENTER DESCRIPTION IEC NO: UAU2017-0870 DRAWN: CHITALLA CHKD: APPR: VKOSHY 2017/03/27 2017/03/29 | QUALITY SYMBOLS ∇=0 ∇=0 ∇=0 | | GENERAL TOLERANCES (UNLESS SPECIFIED) mm INCH 4 PLACES ± --- ± --- 3 PLACES ± --- ± --- 2 PLACES ± 0.13 ± --- 1 PLACE ± 0.25 ± --- 0 PLACE ± --- ± --- | | DIMENSION STYLE MM ONLY | | SCALE 1:1 | | DESIGN UNITS METRIC | | THIRD ANGLE PROJECTION | |
| | ANGULAR ± 1 ° | | DRAFT WHERE APPLICABLE MUST REMAIN WITHIN DIMENSIONS | | MATERIAL NO. SEE BOM TABLE | | DOCUMENT NO. SD-34576-0001 | | SHEET NO. 20 OF 22 | | TITLE ICD - MX123 18/49/56CKT INTERFACE CONNECTION DRW MOLEX | |
| | SIZE D | | THIS DRAWING CONTAINS INFORMATION THAT IS PROPRIETARY TO MOLEX INCORPORATED AND SHOULD NOT BE USED WITHOUT WRITTEN PERMISSION | | | | | | | | | |
| | molex | | | | | | | | | | | |



SECTION BU-BU

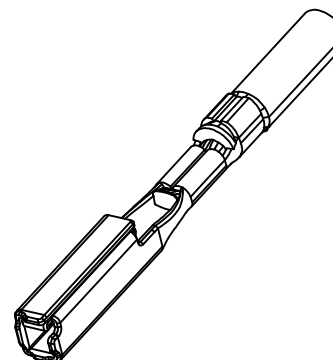
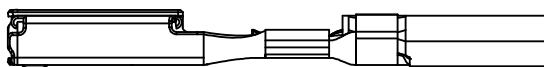


VIEW CA
SCALE 10:1



| | | | | | | |
|--|---|---|---|-------------------------------|-----------------------|------------------------|
| ENTER DESCRIPTION IEC NO: UAU2017-0870 DRAWN: ITALIA 2017/03/27 CHKD: APPR: VKOSHY 2017/03/29 REV: | QUALITY SYMBOLS | GENERAL TOLERANCES (UNLESS SPECIFIED) | DIMENSION STYLE | SCALE | DESIGN UNITS | THIRD ANGLE PROJECTION |
| | $\nabla=0$ $\nabla=0$ $\nabla=0$ | mm INCH 4 PLACES #--- #--- 3 PLACES #--- #--- 2 PLACES #0.13 #--- 1 PLACE #0.25 #--- 0 PLACE #--- #--- | MM ONLY | 1:1 | METRIC | |
| | MATERIAL NO. SEE BOM TABLE | DATE SKRA JENDRANA 2016/12/15 DATE VKOSHY 2016/12/15 DATE VKOSHY 2017/03/03 | TITLE ICD - MX123 18/49/56CKT INTERFACE CONNECTION DRW MOLEX | DOCUMENT NO. SD-34576-0001 | SHEET NO. 21 OF 22 | |
| | DRAFT WHERE APPLICABLE MUST REMAIN WITHIN DIMENSIONS | ANGULAR $\pm 1^\circ$ | MOLEX | MOLEX | MOLEX | |

| MOLEX MX64 RECEPTACLE TERMINAL INFORMATION | | | | | | |
|--|------------|---------------|------|---------|---------------------|----------|
| ITEM | MOLEX P/N | WIRE SIZE MM2 | TYPE | PLATING | REEL WIND DIRECTION | COMMENTS |
| 1 | 34736-0025 | 0.35 | ISO | SILVER | LEFT | |
| 2 | 34736-0026 | 0.35 | ISO | SILVER | RIGHT | |
| 3 | 34736-0027 | 0.5 / 0.75 | ISO | SILVER | LEFT | |
| 4 | 34736-0028 | 0.5 / 0.75 | ISO | SILVER | RIGHT | |



| CAVITY PLUGS | | | | | | | | |
|--------------|--------|--------------|------|---------|--------------|----------------|--------------|----------|
| ITEM | MFG | MFG P/N | SIZE | COLOR | MFG DRAWING | PROD SPEC | APP SPEC | COMMENTS |
| 1 | MOLEX | 34586-0001 | 0.64 | NATURAL | SD-34586-001 | PS-34566-0000 | AS-34566-001 | |
| 2 | YAZAKI | 7158-3114-90 | 2.8 | BLUE | 7158-3114-90 | YPES-11-04-062 | YPES-15-299 | |

ITEM 1



ITEM 2

| | | | | | | | |
|---|-----------------|--|---|-----------------|--|------------------------|--|
| ENTER DESCRIPTION EEC NO: UAU2017-0870 DRAWN: ITALIA 2017/03/27 CHKD: APPR: VKOSHY 2017/03/29 REV: | QUALITY SYMBOLS | GENERAL TOLERANCES (UNLESS SPECIFIED) | DIMENSION STYLE | SCALE | DESIGN UNITS | THIRD ANGLE PROJECTION | |
| | ▽=0 | 4 PLACES ± mm INCH | MM ONLY | 1:1 | METRIC | ☉ | |
| | ▽=0 | 3 PLACES ± 0.13 | SEE BOM TABLE | | | | |
| | ▽=0 | 1 PLACE ± 0.25 | | | | | |
| | | ANGULAR ± 1° | | | | | |
| | | DRAFT WHERE APPLICABLE MUST REMAIN WITHIN DIMENSIONS | | | | | |
| | | | DRAWN BY SKRA JENDRANA | DATE 2016/12/15 | TITLE ICD - MX123 18/49/56CKT INTERFACE CONNECTION DRW | | |
| | | | CHECKED BY VKOSHY | DATE 2016/12/15 | MOLEX | | |
| | | | APPROVED BY VKOSHY | DATE 2017/03/03 | | | |
| | | | MATERIAL NO. | DOCUMENT NO. | | SHEET NO. | |
| | | | | SD-34576-0001 | | 22 OF 22 | |
| | | | THIS DRAWING CONTAINS INFORMATION THAT IS PROPRIETARY TO MOLEX INCORPORATED AND SHOULD NOT BE USED WITHOUT WRITTEN PERMISSION | | | | |