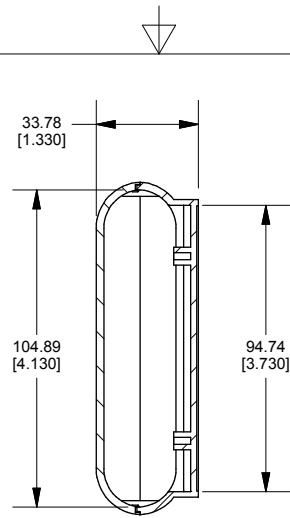
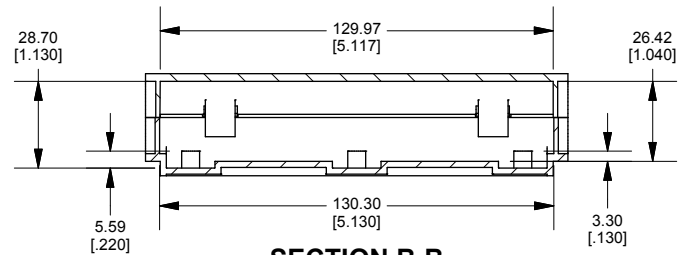
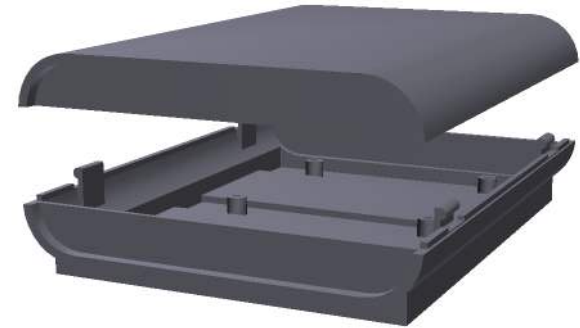


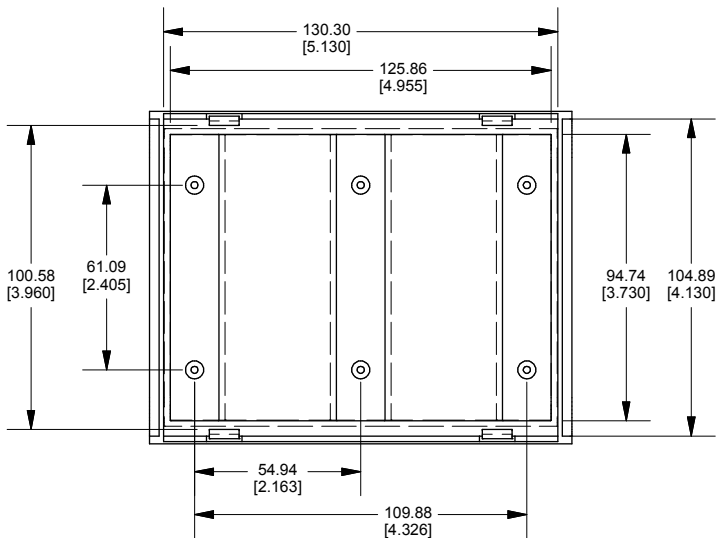
ASSEMBLY - TOP VIEW



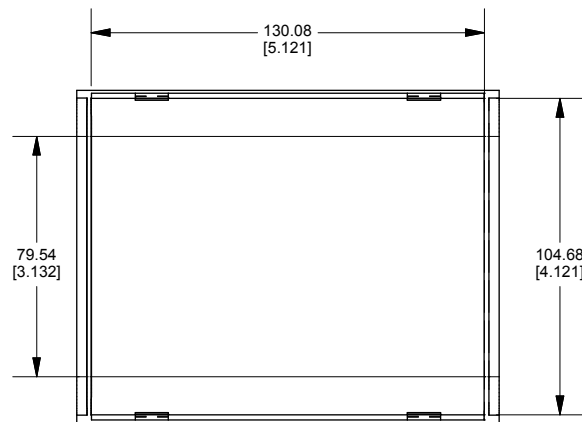
**SECTION A-A
END VIEW OF ASSEMBLY**



**SECTION B-B
SIDE VIEW OF ASSEMBLY**



BOX - INSIDE VIEW



LID - INSIDE VIEW

Enclosures can be Factory Modified (Milling, Drilling, Printing etc.)
Contact Factory mjm@hammondmfg.com for quotes
Solid models of this enclosure available in STEP or IGES.

NOTES

Purchased assembly includes Snap Fit Box & Lid

1597C

PART NUMBERS

GREY ABS	1597CGY
BLACK ABS	1597CBK

