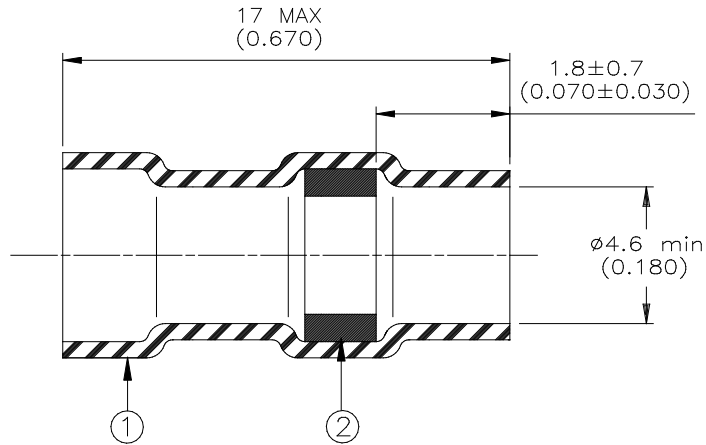


CUSTOMER DRAWING



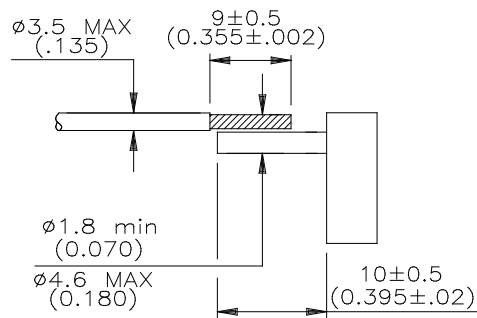
MATERIALS

- 1. INSULATION SLEEVE: Heat-shrinkable, transparent blue, radiation cross-linked modified polyvinylidene fluoride.
- 2. SOLDER PREFORM WITH FLUX:
 - SOLDER: TYPE Sn63 per ANSI-J-STD-006.
 - FLUX: TYPE ROL0 per ANSI-J-STD-004.

APPLICATION

- 1. These controlled soldering devices are designed for termination of a wire to the lead of an electrical component or to the terminal of a connector.
- 2 Temperature range: -55°C to +150°C.

For best results, prepare the wire as shown:



TE Connectivity, TE connectivity (logo), Raychem, Thermofit, and SolderSleeve are trademarks

		Raychem THERMOFIT DEVICES		TITLE: SOLDERSLEEVE WIRE TERMINATOR	
UNLESS OTHERWISE SPECIFIED DIMENSIONS ARE IN MILLIMETERS. INCHES DIMENSIONS ARE BETWEEN BRACKETS.				DOCUMENT NO: D-101-45	
TOLERANCES: 0.00 N/A 0.0 N/A 0 N/A	ANGLES: N/A ROUGHNESS IN MICRON	TE Connectivity reserves the right to amend this drawing at any time. Users should evaluate the suitability of the product for their application.		Revision: 2	Issue Date: March 2020
DRAWN BY: M. FORONDA	DATE: 07/24/98	ECO: ECO-20-003572	SCALE: None	SIZE: A	SHEET: 1 of 1