

TA5704EVM 4-Channel Digital Audio Power Amplifier with Hardware Control

User's Guide



Literature Number: SLOU224

April 2008

Preface	5
1 Overview	7
1.1 TAS5704EVM Features	8
1.2 Basic Tools for Initial Board Power up	9
2 System Interfaces	9
2.1 PSU Interface	9
2.2 PSC Connector	10
2.3 Loudspeaker and Subwoofer Connectors (2-Channel BTL Configuration)	10
2.4 Digital Audio Interface SPDIF (J1/OPTO)	10
2.5 ADC Interface	11
2.6 Board Power up General Guidelines	11
3 Jumpers and Control Utilities	11
3.1 Clock Frequency Change Jumper	11
3.2 SPDIF/PSIA Utilization Jumpers	11
3.3 Data Routing Jumpers	11
3.4 GAIN Jumpers	12
3.5 Data Format Jumpers	12
3.6 CONFIG Jumpers	12
3.7 Switches	13
4 Board Layout, Bill of Material, and Schematics	14
4.1 TAS5704EVM Board Layout, Top Composite View	14
4.2 TAS5704EVM Board Layout, Top Layer View	15
4.3 TAS5704EVM Board Layout, Bottom Layer View	16
4.4 Bill of Materials	17
4.5 Schematic	19
Important Notices	20

List of Figures

1	2-Channel (BTL) Configuration with External Subwoofer EVM (TAS5601EVM2)	7
2	2-Channel (SE) + 1-Channel (BTL) Configuration	8
3	4-Channel (SE) Configuration	8
4	Top Composite View of TAS5704EVM	9
5	Top Layer Composite	14
6	Top Layer	15
7	Bottom Layer	16

List of Tables

1	Recommended Power Supplies	10
2	TAS5704 SDINx Data Source	11
3	TAS5704 Gain Configuration	12
4	TAS5704 Data Format	12
5	DIR9001 SPDIF Output Data Format	12
6	TAS5704 Output Configuration	13
7	Bill of Materials for TAS5704EVM	17

Read This First

About This Manual

This manual describes the operation of the TAS5704EVM evaluation module from Texas Instruments.

How to Use this Manual

This document contains the following chapters

- Chapter 1 – Overview
- Chapter 2 – System Interfaces
- Chapter 3 – Jumpers and Control Utilities on TAS5704
- Chapter 4 – TAS5704EVM Layout

Information About Cautions and Warnings

This manual may contain cautions and warnings.

CAUTION

This is an example of a caution statement.

A caution statement describes a situation that could potentially damage your software or equipment.

WARNING

This is an example of a warning statement.

A warning statement describes a situation that could potentially cause harm to you

The information in a caution or a warning is provided for your protection. Please read each caution and warning carefully.

Related Documentation from Texas Instruments

The following table contains a list of data manuals that have detailed descriptions of the integrated circuits used in the design of the TAS5704EVM. The data manuals can be obtained at the URL <http://www.ti.com>.

Part Number	Literature Number
TAS5704 Data Sheet	SLOS563
DIR9001PW	SLES198
PCM1808PW	SLES177A
TPS76733QD	SLVS2081
TAS5601	SLAS585

Additional Documentation

- General Application Notes

EVM Warnings / Restrictions and FCC Warning

See the Evaluation Board/Kit Warnings and Restrictions page towards the end of this User's Guide.

TA5704EVM 4-Channel Digital Audio Power Amplifier with Hardware Control

1 Overview

TAS5704 customer evaluation module (EVM) demonstrates the integrated circuit (IC) TAS5704 from Texas Instruments (TI).

TAS5704 is a 4-channel device with an I2S/RJ/LJ digital audio stream input and amplified PWM signal out. The subwoofer PWM signal is provided to an external class D power stage (TAS5601), which uses a LC demodulation filter to drive a subwoofer. For detail information about the TAS5704 device review the device data sheet, document number [SLOS563](#).

TAS5704 is designed to drive two 8-Ω loudspeakers up to 20W per channel (10%THD+N) in a BTL configuration. The TAS5704EVM can also be configured to drive four, 4-Ω speakers in a single-ended (SE) configuration. Finally, the TAS5704EVM can be configured to drive 2 single-ended speakers plus 1 bridge-tied speaker (2.1 mode). Review the board schematic, and TAS5601 documents for additional information and more specific application information on the subwoofer daughter card and connector.

TAS5704EVM, together with other TI components on this board, is a complete 4 channel digital audio amplifier system, which includes digital input (SPDIF), analog inputs via ADC, and other features like mute, power down, output configuration control, format control, and gain control.

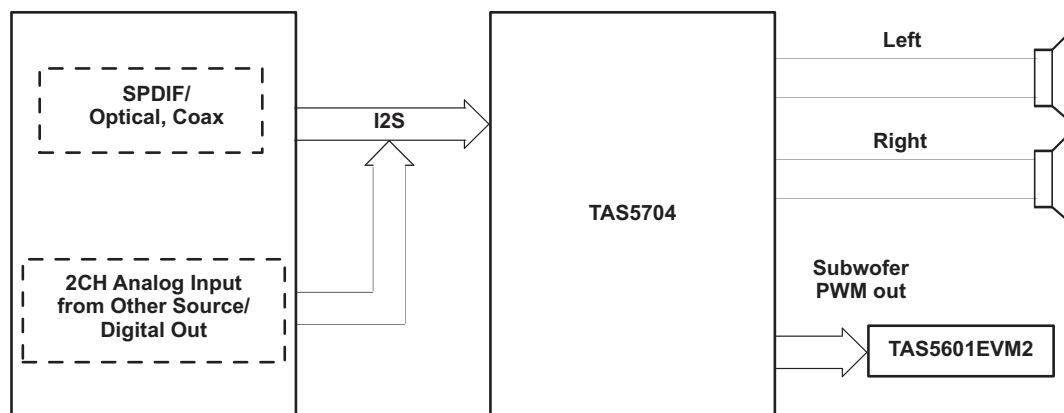


Figure 1. 2-Channel (BTL) Configuration with External Subwoofer EVM (TAS5601EVM2)

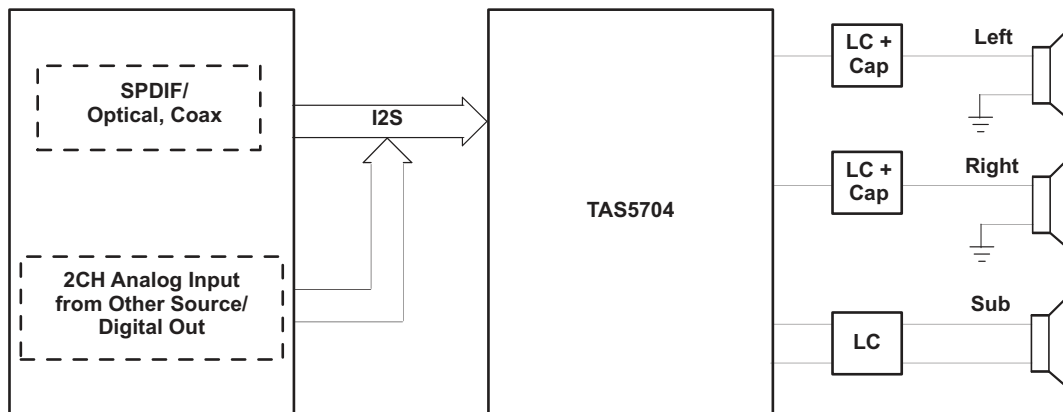


Figure 2. 2-Channel (SE) + 1-Channel (BTL) Configuration

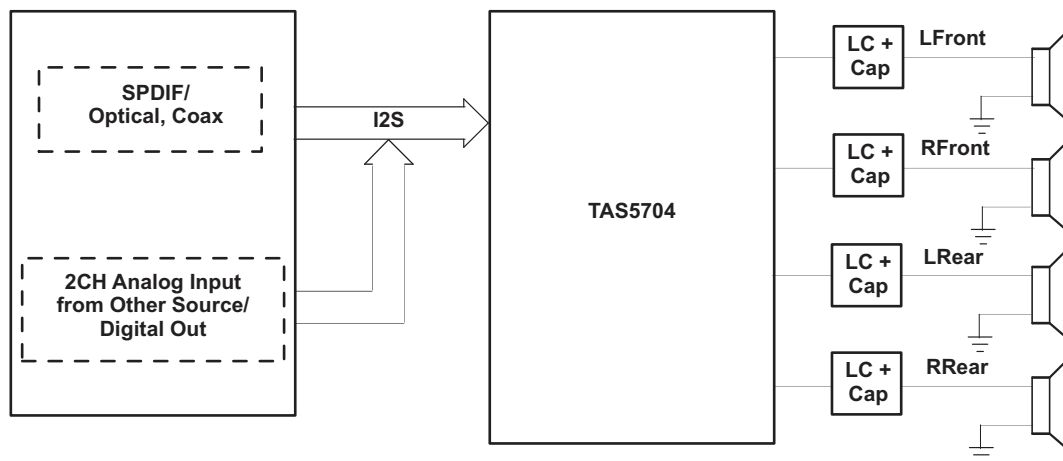


Figure 3. 4-Channel (SE) Configuration

1.1 TAS5704EVM Features

- Self-contained protection systems and control pins
- Standard I²S data input using optical or RCA inputs
- Analog input through analog to digital converter
- Subwoofer connection. PWM terminal to provide signal and power to an external subwoofer board (TAS5601EVM2)
- Double-sided plated-through PCB layout, 2oz copper, 2mm.
- Access to control signal gain, output configuration, and data format on the EVM board using jumpers

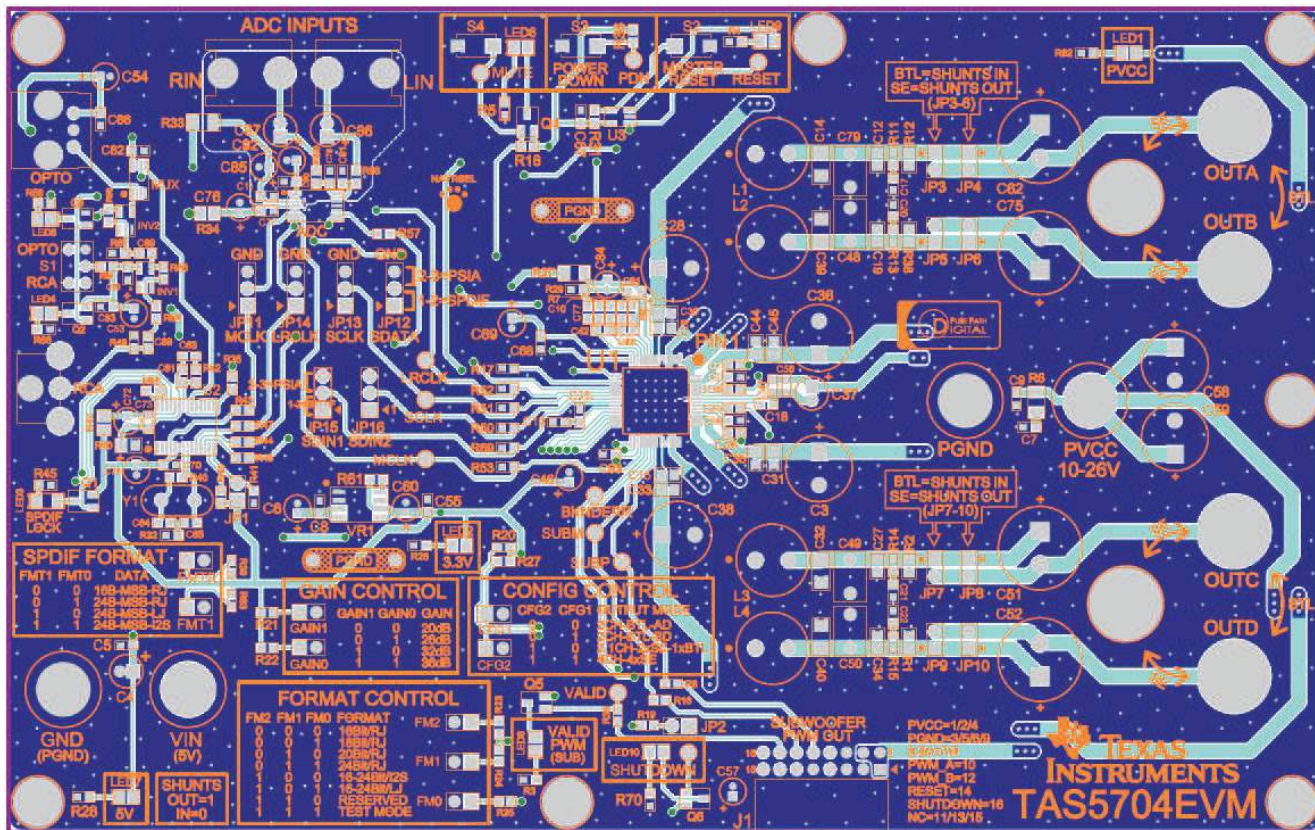


Figure 4. Top Composite View of TAS5704EVM

1.2 Basic Tools for Initial Board Power up

- Up to 26V, 3A power supply (PVCC)
- 5V, 500mA power supply (VIN)
- Banana cables for power supplies and speakers
- Optical or coaxial cable for SPDIF interface based on signal source
- Two 8Ω speakers (BTL) or 4Ω speakers (SE). Resistive loads can also be used
- Optional: TAS5601EVM2 (for subwoofer connection when using BTL configuration)

2 System Interfaces

This chapter describes the TAS5704EVM board in regards to power supply (PSU) and system interfaces.

2.1 PSU Interface

The TAS5704EVM module is powered using two power supply sources a 10–26V (PVCC) power supply and a 5V (VIN) power supply. The 3.3V voltage levels are generated on the board using voltage regulators from VIN supply.

Note: The length of power supply cable must be minimized. Increasing length of PSU cable is equal to increasing the distortion for the amplifier at high output levels and low frequencies.

Maximum output stage supply voltage depends on the speaker load resistance. Check the recommended maximum supply voltage in the TAS5704 data sheet ([SLOS563](#)).

Table 1. Recommended Power Supplies

Description	Voltage Limitations (8 Ω load)	Current Recommendations
System power supply	5 V	500 mA
Output power stage supply	10 – 26 V	3A ⁽¹⁾

⁽¹⁾ The rated current correspond to 2 channels at 20W per channel.

2.2 PSC Connector

- Connect the positive node of the 5V (VIN) power supply to the red binding post marked VIN.
- Connect the GND node of the 5V power supply to the black binding post marked GND
- Connect the positive node of the high voltage power supply (PVCC) to the red binding post marked PVCC.
- Connect the negative node of the high voltage power supply (PGND) to the black binding post marked PGND.

There is no specific power up sequence for TAS5704, but it is recommended to power up the VIN supply first while reset is kept low for at least 1ms and then power up the PVCC.

2.3 Loudspeaker and Subwoofer Connectors (2-Channel BTL Configuration)

CAUTION

Both positive and negative speaker outputs are floating and may not be connected to ground (e.g. through an oscilloscope).

- Connect the positive (+) and negative (–) nodes of the left speaker to the corresponding metal binding post marked OUTA and OUTB on TAS5704EVM board.
- Connect the positive (+) and negative (–) nodes of the right speaker to the corresponding metal binding post marked OUTC and OUTD on TAS5704EVM board.
- Install jumpers JP3–JP6 and JP7–JP10 for BTL configuration
- The subwoofer is an option on this EVM, which is provided through connecting TAS5601EVM2 to the TAS5704EVM using connector J1. Connector J1 provides the power and corresponding PWMs to the TAS5601EVM2 (subwoofer amplifier). TAS5601EVM2 is configured in PBTL and is able to provide 40W to an 8- Ω speaker. Connect the subwoofer positive and negative nodes to the corresponding metal binding posts on the TAS5601EVM2.

2.4 Digital Audio Interface SPDIF (J1/OPTO)

The Digital Audio Interface contains digital audio signal data (I2S). See TAS5704 Data sheet ([SLOS563](#)) for signal timing and details not explained in this document.

RCA connector and OPTO connector are the two SPDIF interfaces. The switch S1 is used to toggle between OPTO and RCA connector based on available signal source. Once the RCA cable or optical cable is connected and the signal source is powered up, please verify the SPDIF lock indicator (blue LED3) to make sure there is viable signal available to the device.

The format of the DIR9001 SPDIF receiver can be changed using jumpers *FMT0* and *FMT1*. Jumpers installed = 0. Jumpers removed = 1. The description of possible modes is printed on the EVM.

See the schematic of TAS5704EVM and the DIR9001 device for detail information on method by which the data and clocks are provided to TAS5704.

2.5 ADC Interface

In the absence of digital signal source ADC (PCM1808) may be used to convert an analog audio signal to digital signal and provide it to TAS5704. DIR9001 still provides clocks to ADC in this process. The frequency of the oscillator selected for DIR 9001 determine the sampling frequency in the absence of digital signal. If the OSC is 24MHz the sampling frequency will be set at 96kHz and if the OSC is selected to be 12MHz the sampling frequency will be defaulted to 48kHz when there is no signal on SPDIF input terminals. ADC is an additional feature to this board to provide flexibility in sourcing audio signal to TAS5704. Please review the datasheet of PCM1808 for detail description of the ADC on this EVM.

2.6 Board Power up General Guidelines

After connecting the loud speakers (loads), power supply, and data line, power up the VIN power supply. Then power up the PVCC power supply. It is recommended to set the PVCC level to 10 volts and then ramp it up to 20 volts to verify the cable connection functionality. It is recommended to set the gain to -3dB at start by having both GAIN (*GAIN0* and *GAIN1*) jumpers inserted. Note that the gain settings marked on the EVM are not correct. Please see [Table 3](#) on the next page for the correct settings. Having jumpers *FM0* and *FM1* inserted and *FM2* removed sets the data format for the device to I2S format. Make sure the SPDIF format jumpers, *FMT0* and *FMT1* are removed to set the receiver format to I2S. It is important to note that a device RESET (*S2* on the top of the board labeled *MASTER RESET*) needs to be applied after each gain, format, or configuration change in order for the device to latch in the new settings. Finally, install jumpers *CFG1* and *CFG2* in the Config Control to select *2-CH-BTL-AD* mode.

3 Jumpers and Control Utilities

3.1 Clock Frequency Change Jumper

JP1: In the presence of a valid digital signal input, when SPDIF lock occurs, the user may use JP1 to change LR clock and BIT clock. When a shunt is inserted, the SCKO = 512Fs and when the shunt is removed the SCKO = 256Fs. Default is SCKO = 256Fs.

In the absence of a valid digital signal DIR9001 clock outputs switch to the frequency of crystal (Y1). If the crystal is chosen to be 24MHz the LR clock will be 96kHz and if the crystal is chosen to be 12MHz the LR clock will be 48kHz.

3.2 SPDIF/PSIA Utilization Jumpers

The jumpers MCLK, LRCK, SCLK, SDATA allow the user to switch between the internal clock and data sources and external clock and data sources for instance PSIA (from AP instrument). The default configuration of these jumpers is SPDIF as it is marked on the EVM with a white arrow. PSIA outputs may be utilized using pins 2 and 3 of the jumpers. Keep in mind that pin 3 of each jumper is connected to GND. Thus, the user must pay attention to the polarity of the PSIA output cables at the time of insertion.

3.3 Data Routing Jumpers

Jumpers SDIN1, SDIN2: These jumpers enable the user to assign a data source to TAS5704 SDIN1 and SDIN2 pins. See [Table 2](#).

Table 2. TAS5704 SDINx Data Source

Jumper JP15:SDIN1 Position	Jumper JP16:SDIN2 Position	SDIN1 Source	SDIN2 Source
1-2	1-2	ADC	ADC
1-2	2-3	SPDIF/PSIA	SPDIF/PSIA
2-3	1-2	SPDIF/PSIA	ADC
2-3	2-3	SPDIF/PSIA	SPDIF/PSIA

3.4 GAIN Jumpers

GAIN0 and GAIN1 jumpers enable the user to change the gain of the device. It is important to assert RESET (S2 labeled *MASTER RESET*) after each gain change in order for the device to recognize the new gain configuration. The truth table is shown below and also it is marked on the EVM board. However, the gain settings are WRONG on the EVM silkscreen. Refer to [Table 3](#) for the correct gain settings.

Table 3. TAS5704 Gain Configuration

Jumper GAIN1 Shunt IN = 0	Jumper GAIN0 Shunt OUT = 1	GAIN (dB)
0	0	-3
0	1	3
1	0	9
1	1	12

3.5 Data Format Jumpers

FM0, FM1, and FM2 are used to change the data format by which TAS5704 operates. FMT0 and FMT1 jumpers associated with DIR9001 in SPDIF interface enables the user to change the data format of DIR9001 so that the data format is in sync with TAS5704 data format. Both TAS5704 and DIR9001 are set by default to operate at 24-bit I2S format. It is important to assert RESET after each format change in order for the device to recognize the format change. The truth tables below indicate the jumper configuration and the data format of TAS5704 and DIR9001 (SPDIF).

Table 4. TAS5704 Data Format

FM2 ⁽¹⁾	FM1 ⁽¹⁾	FM0 ⁽¹⁾	DATA FORMAT
0	0	0	16BIT RJ
0	0	1	18BIT RJ
0	1	0	20BIT RJ
0	1	1	24BIT RJ
1	0	0	16 - 24BIT I2S (Default)
1	0	1	16 – 24bit RJ
1	1	0	RESERVED
1	1	1	TEST MODE

⁽¹⁾ SHUNT IN = 0, SHUNT OUT = 1 (see schematics for details)

Table 5. DIR9001 SPDIF Output Data Format

FMT1 ⁽¹⁾	FMT0 ⁽¹⁾	DATA FORMAT
0	0	16BIT
0	1	24BIT RJ
1	0	24BIT LJ
1	1	24BIT I2S (Default)

⁽¹⁾ SHUNT IN = 0, SHUNT OUT = 1 (See schematic for details)

3.6 CONFIG Jumpers

CFG1 and CFG2 jumpers are used to select the output configuration between single-ended outputs and bridge-tied outputs or a combination of the two options. See [Table 6](#) for summary of possible settings.

Table 6. TAS5704 Output Configuration

Jumper CFG2 Shunt IN = 0	Jumper CFG1 Shunt IN = 0	GAIN (dB)
0	0	2-Channel BTL Mode (AD Modulation). Connect speakers across OUTA/OUTB and OUTC/OUTD.
0	1	2-Channel BTL Mode (BD Modulation). Connect speakers across OUTA/OUTB and OUTC/OUTD.
1	0	2-Channel SE Mode AND 1-Channel BTL Mode (AD Modulation). Connect Left/Right speakers across OUTA/Center terminal (+ side of speaker connected to OUTA) and OUTB/Center terminal (+ side of speaker connected to Center terminal). Connect Subwoofer across OUTC/D. Remove jumpers JP3 – JP6.
1	1	4-Channel SE Mode (AD Modulation). Connect Speakers across OUTA/Center, OUTB/Center and OUTC/Center, OUTD/Center. OUTB and OUTD are inverted internally....connect "+" side of speaker to center terminal (GND) so that OUTB and OUTD will be in phase with OUTA and OUTC. Remove jumpers JP3 – JP6 and JP7 – JP10.

3.7 Switches

RESET is an active low function. Pressing master reset switch (S2) resets TAS5704 and DIR9001. Releasing the switch will take the devices out of reset.

POWER DOWN function is an active low function. Pressing the power-down switch (S3) powers down TAS5704 (outputs remain switching at 50% duty cycle). Releasing the switch will take the device out of power down.

MUTE is an active low function. Pressing the mute switch (S4) mutes TAS5704. Releasing the switch will take the device out of mute.

4 Board Layout, Bill of Material, and Schematics

4.1 TAS5704EVM Board Layout, Top Composite View

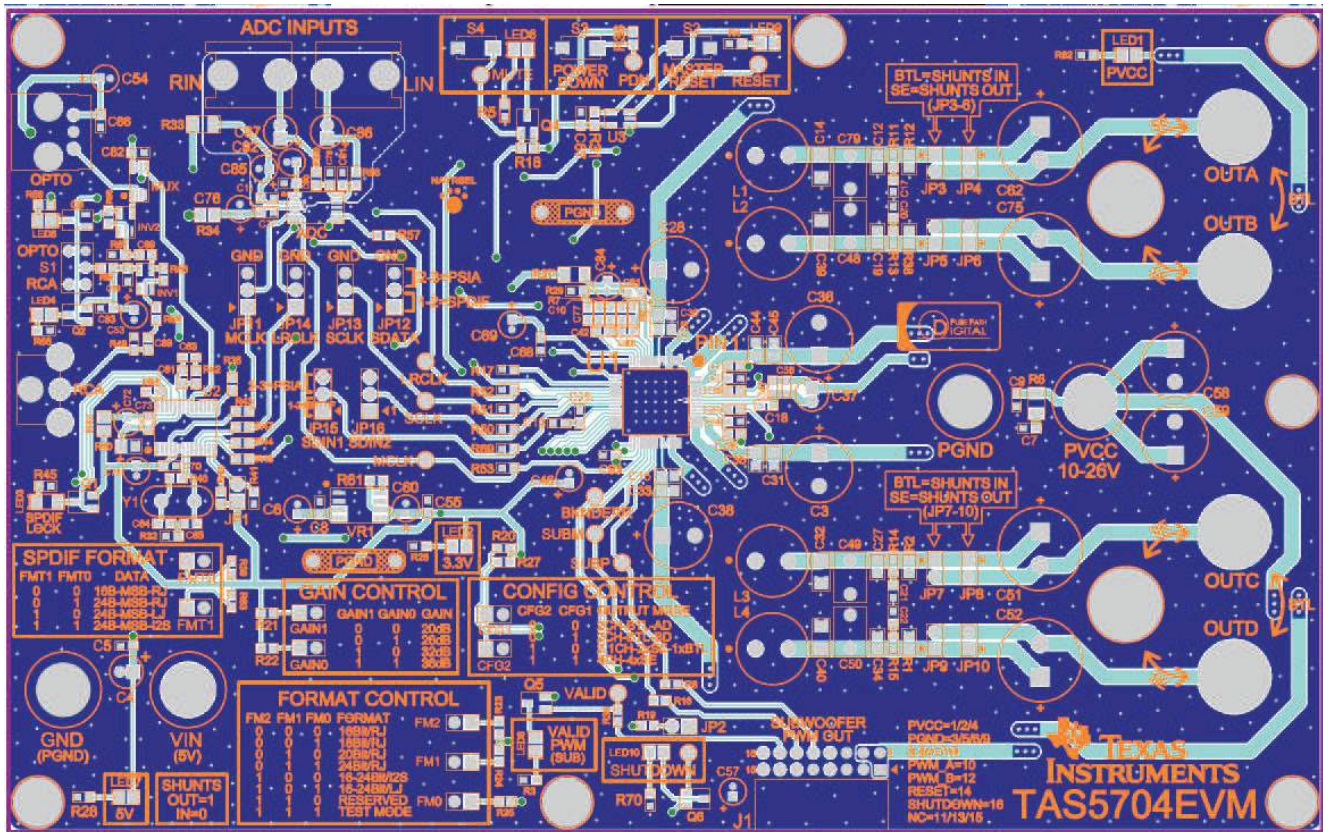


Figure 5. Top Layer Composite

4.2 TAS5704EVM Board Layout, Top Layer View

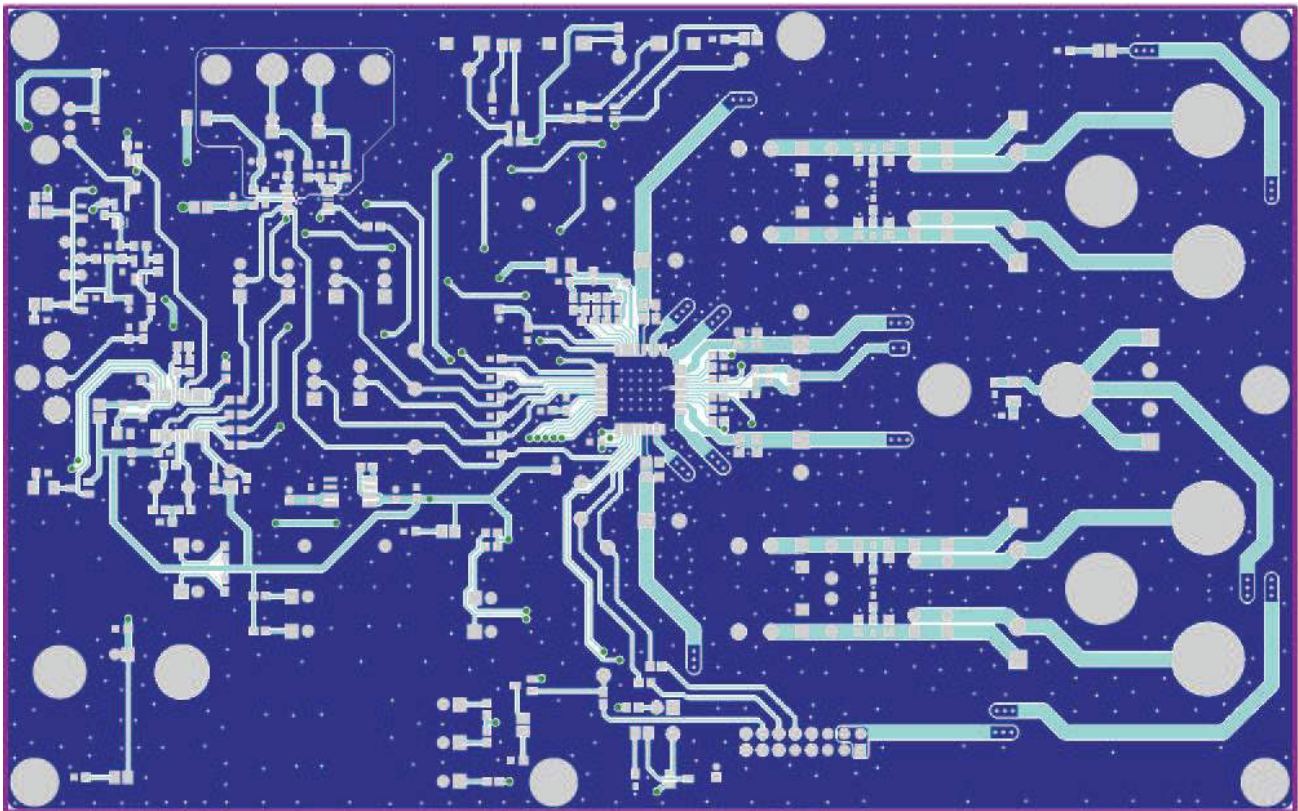


Figure 6. Top Layer

4.3 TAS5704EVM Board Layout, Bottom Layer View

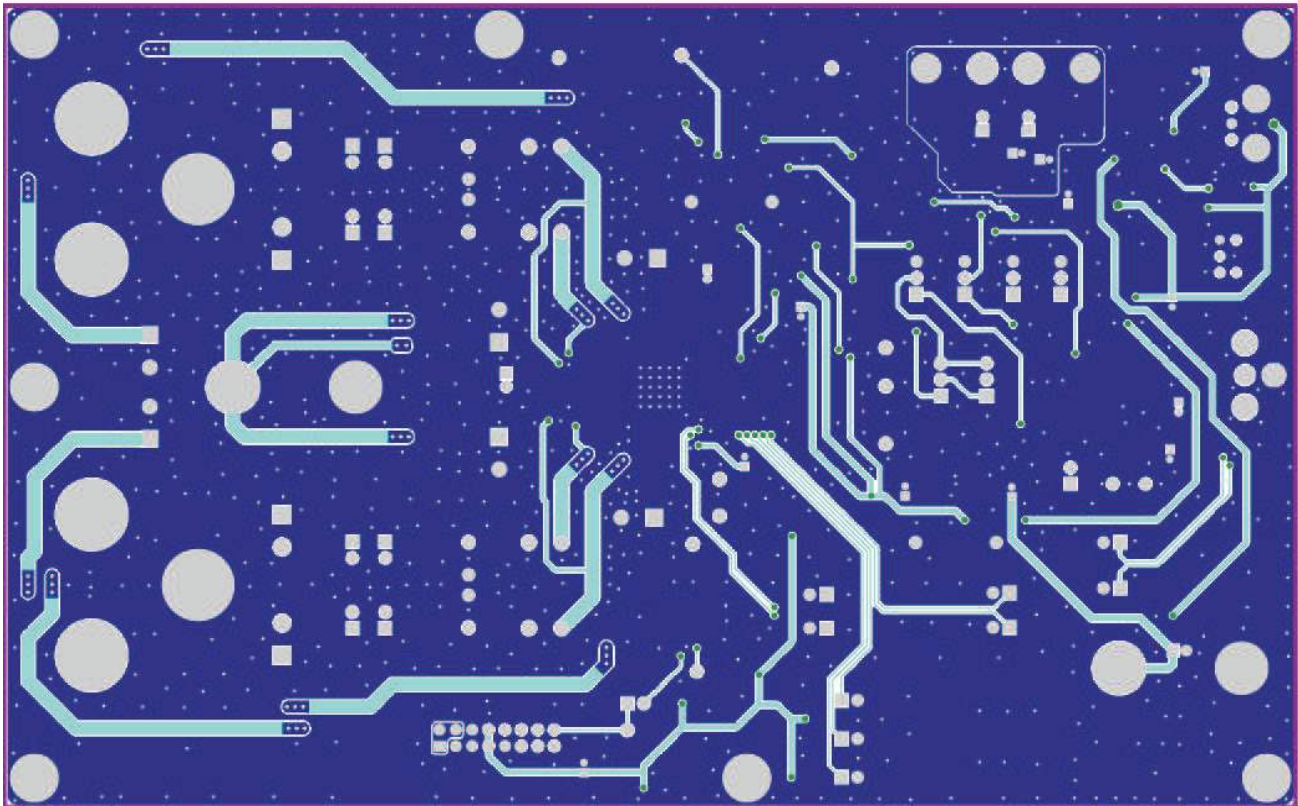


Figure 7. Bottom Layer

4.4 Bill of Materials

Table 7. Bill of Materials for TAS5704EVM

Description	RefDes	QTY	MFR	MFR:Part No.	Vendor	Vendor Part No.	ALT Part No.
TI-SEMICONDUCTORS							
Modulator/HBRIDGE TQFP64-PAP	U1	1	Texas Instruments	TAS5704PAP	Texas Instruments	TAS5704PAP	No ALT Part No.
Single Inverter Gate, SOT23-DBV5	INV1, INV2	2	Texas Instruments	SN74AHC1GU04DBVR	Digi-Key	296-1095-2	296-1095-1
Single 2 to 1 MUX W/Common Strobe, TSSOP8-DCT	MUX	1	Texas Instruments	SN74LVC2G157DCTR	Digi-Key	296-13266-2	296-13266-1
Processor Supervisor Circuit, 3.3V	U3	1	Texas Instruments	TPS3825-33DBVT	Digi-Key	296-2636-2	296-2636-1
Voltage Regulator, LDO Fast Trans. 3.3Vdc 1.0A, SOP8-D	VR1	1	Texas Instruments	TPS76733QD	Digi-Key	296-2738-5	No ALT Part No.
S-Ended ANA-IN 24BIT 96kHz Stereo ADC, TSSOP14-PW	ADC	1	Texas Instruments	PCM1808PW	Digi-Key	296-19773	No ALT Part No.
Digital Audio interface receiver TSSOP28-PW	U2	1	TI - Burr Brown	DIR9001PW	Digi-Key	296-21389-5	No ALT Part No.
SEMICONDUCTORS							
Optical receiver, 3.3V, PCB-RA ROHS	OPTO	1	Toshiba	TORX147LFT	Digi-Key	TORX147LFT	TORX141
Crystal, 12.288MHz, HC49US	Y1	1	ECS	ECS-122.8-S-4	Digi-Key	X174	No ALT Part No.
Transistor NPN 50V PreBiased/4.7K 100mA SOT23-DBV3	Q3	1	Diodes Inc.	DDTC143TCA-7	Digi-Key	DDTC143TCADITR	DDTC143TCADICT
Transistor PNP 50V PreBiased/4.7K 100mA SOT23-DBV3	Q1, Q2, Q4-Q6	5	Diodes Inc.	DDTA143TCA-7	Digi-Key	DDTA143TCADITR	DDTA143TCADICT
LED, Green 2.0V SMD0805	LED1, LED2, LED4, LED5, LED7	5	Lumex Optical	SML-LXT0805GW-TR	Digi-Key	67-1553-2	67-1553-1
LED, Red 2.0V SMD0805	LED9	1	Lumex Optical	SML-LXT0805IW-TR	Digi-Key	67-1552-2	67-1552-1
LED, Yellow 2.0V SMD0805	LED6, LED8, LED10	3	Lumex Optical	SML-LXT0805YW-TR	Digi-Key	67-1554-2	67-1554-1
LED, Blue SM1206	LED3	1	Avago Technologies	HSMR-C150	Digi-Key	516-1436-2	516-1436-1
CAPACITORS							
CAP 33pF 50V CERM 0603 NPO	C64, C65	2	Panasonic	ECJ-1VC1H330J	Digi-Key	PCC330ACVTR	PCC330ACVCT
CAP 4700pF 50V CERM 0603 X7R	C42, C43, C61	3	Panasonic	ECJ-1VB1H472K	Digi-Key	PCC1780TR	PCC1780CT
CAP 0.01µF 16V CERM 0603 X7R	C78, C91	2	Murata Electronics	GRM188R71C103KA01D	Digi-Key	490-1525-2	490-1525-1
CAP 0.01µF 50V CERM 0603 X7R	C7	1	Panasonic	ECU-V1H103KBV	Digi-Key	PCC103BVTR	PCC103BVCT
CAP 0.047µF 16V CERM 0603 X7R	C10, C41, C88, C89	4	Panasonic	ECJ-1VB1C473K	Digi-Key	PCC1758TR	PCC1758CT
CAP 0.068µF 16V CERM 0603 X7R	C63	1	Panasonic	ECJ-1VB1C683K	Digi-Key	PCC1760TR	PCC1760CT
CAP 0.1µF 16V CERM 0603 X7R	C5, C8, C11, C25, C55, C66-C68, C70, C71, C73, C80-C83, C90, C93	17	Panasonic	ECJ-1VB1C104K	DIGI-KEY	PCC1762TR	PCC1762CT
CAP 0.1µF 50V CERM 0603 X7R	C9, C47	2	Murata	GRM188R71H104KA93D	Digi-Key	490-1519-2	490-1519-1
CAP 0.22µF 25V CERM 0603 X7R	C1, C16, C23, C26	4	Murata Electronics	GRM188R71E224KA88D	Digi-Key	490-3290-2	490-3290-1
CAP 1.0µF 25V CERM 0603 X5R	C2, C18, C24	3	Panasonic	ECJ-1VB1E105K	Digi-Key	PCC2422TR	PCC2422CT
CAP 4.7µF 6.3V CERM 0603 X5R	C13	1	TDK Corp.	C1608X5R0J475M	Digi-Key	445-1417-2	445-1417-1
CAP 0.1µF50V CERM 0805 X7R	C15, C29, C35, C44	4	Panasonic	ECJ-2YB1H104K	Digi-Key	PCC1840TR	PCC1840CT
CAP 1.0µF 50V CERM 0805 Y5V		0	Taiyo Yuden	UMK212F105ZG-T	Digi-Key	587-1308-2	587-1308-1
CAP 1.0µF 50V METAL Polyester film MKT	C48-C50, C79	4	EPCOS	B32529C5105J	Digi-Key	495-1087	B32529C105J
CAP 1µF 50V RAD ALUM ELEC FC	C86, C87	2	Panasonic	EEU-FC1H1R0	Digi-Key	P10312	No ALT Part No.
CAP 10µF 16V RAD ALUM ELEC KGA	C46, C53, C54, C57, C69, C72, C74, C76, C84, C85, C92	11	Panasonic	ECE-A1CKG100	Digi-Key	P910	No ALT Part No.
CAP 15µF 50V RAD ALUM ELEC FC	C37	1	Panasonic	EEU-FC1H150	Digi-Key	P10317	No ALT Part No.
CAP 22µF 10V RAD ALUM ELEC KGA	C6, C60	2	Panasonic	ECE-A1AKG220	Digi-Key	P905	No ALT Part No.
CAP 47µF 16V RAD ALUM ELEC FC	C4	1	Panasonic	EEU-FC1C470	Digi-Key	P11196	No ALT Part No.
CAP 220µF 50V RAD ALUM ELEC FC	C3, C28, C36, C38	4	Panasonic	EEU-FC1H221	Digi-Key	P10325	No ALT Part No.
CAP 470µF 50V RAD ALUM ELEC FC	C58, C59	2	Panasonic	EEU-FC1H471L	Digi-Key	P11260	No ALT Part No.

Table 7. Bill of Materials for TAS5704EVM (continued)

Description	RefDes	QTY	MFR	MFR:Part No.	Vendor	Vendor Part No.	ALT Part No.
CAP 1000µF 35V RAD ALUM ELEC FC	C51, C52, C62, C75	4	Panasonic	EEU-FC1V102	Digi-Key	P10305	No ALT Part No.
RESISTORS							
RES 0.0 Ω 1/16W 5% SMD 0603	R29, R32, R35	3	Panasonic	ERJ-3GEY0R00V	Digi-Key	P0.0GTR	P0.0GCT
RES 3.3 Ω 1/16W 5% SMD 0603	R11, R13–R15	4	Yageo	9C06031A3R30JLHFT	Digi-Key	311-3.3GTR	311-3.3GCT
RES 47 Ω 1/16W 5% SMD 0603	R8, R16, R30, R43, R44, R47, R48, R57	8	Yageo	9C06031A47R0JLHFT	Digi-Key	311-47GTR	311-47GCT
RES 75.0 Ω 1/16W 1% SMD 0603	R49	1	Panasonic	ERJ-3EKF75R0V	Digi-Key	P75.0HTR	P75.0HCT
RES 100 Ω 1/16W 5% SMD 0603	R58, R59, R64, R65	4	Yageo	9C06031A1000JLHFT	Digi-Key	311-100GTR	311-100GCT
RES 470 Ω 1/10W 5% SMD 0603	R7, R9, R40	3	Panasonic	ERJ-3GEYJ471V	Digi-Key	P470GTR	P470GCT
RES 332 Ω 1/16W 1% SMD 0603	R4, R5, R26, R55, R56	5	Panasonic	ERJ-3EKF3320V	Digi-Key	P332HTR	P332HCT
RES 392 Ω 1/10W 1% SMD 0603	R3, R45, R70	3	Panasonic	ERJ-3EKF3920V	Digi-Key	P392HTR	P392HCT
RES 510 Ω 1/10W 5% SMD 0603	R28	1	Yageo	9C06031A5100JLHFT	Digi-Key	311-510GTR	311-510GCT
RES 680 Ω 1/10W 5% SMD 0603	R42	1	Yageo	9C06031A6800JLHFT	Digi-Key	311-680GTR	311-680GCT
RES 1kΩ 1/16W 5% SMD 0603	R54	1	Yageo	9C06031A1001JLHFT	Digi-Key	311-1.0KGTR	311-1.0KGCT
RES 2.00kΩ 1/16W 1% SMD 0603	R67	1	Panasonic	ERJ-3EKF2001V	Digi-Key	P2.00KHTR	P2.00KHCT
RES 2.49kΩ 1/16W 1% SMD 0603	R62	1	Panasonic	ERJ-3EKF2491V	Digi-Key	P2.49KHTR	P2.49KHCT
RES 4.99kΩ 1/16W 1% SMD 0603	R31, R39, R41, R46, R63, R1, R2, R12, R38	5	Panasonic	ERJ-3EKF4991V	Digi-Key	P4.99KHTR	P4.99KHCT
RES 7.50kΩ 1/16W 1% SMD 0603	R68	1	Panasonic	ERJ-3EKF7501V	Digi-Key	P7.50KHTR	P7.50KHCT
RES 10kΩ 1/16W 5% SMD 0603	R18–R25, R27, R36, R50–R53, R69	15	Panasonic	9C06031A1002JLHFT	Digi-Key	311-10KGTR	311-10KGCT
RES 18.2kΩ 1/10W 1% SMD 0603	R17	1	Yageo	9C06031A1822FKHFT	Digi-Key	311-18.2KHTR	311-18.2KHCT
RES 249kΩ 1/16W 1% SMD 0603	R61	1	Panasonic	ERJ-3EKF2493V	Digi-Key	P249KHTR	P249KHCT
RES 1.00MΩ 1/16W 1% SMD 0603	R66	1	Panasonic	ERJ-3EKF1004V	Digi-Key	P1.00MHTR	P1.00MHCT
RES 0.0 Ω 1/10W 5% SMD 0805	R10, R60	2	Panasonic	ERJ-GEY0R00V	Digi-Key	P0.0ATR	P0.0ACT
RES 3.3 Ω 1/10W 5% SMD 0805	R34	1	Panasonic	ERJ-6RQJ3R3V	Digi-Key	P3.3BTR	P3.3BCT
RES 100kΩ 1/10W 1% SMD 0805		0	Panasonic	ERJ-6ENF1003V	Digi-Key	P100KCTR	P100KCCT
RES 0.0 Ω 1/8W 5% SMD 1206	R37	1	Panasonic	ERJ-8GEY0R00V	Digi-Key	P0.0ETR	P0.0ECT
RES 3.3 Ω 1/4W 5% SMD 1206	R6	1	Panasonic	ERJ-8RQJ3R3V	Digi-Key	P3.3PTR	P3.3PCT
RES 4.7 Ω 1/8W 5% SMD 1206	R33	1	Panasonic	ERJ-8RQJ4R7V	Digi-Key	P4.7PTR	P4.7PCT
FERRITES AND INDUCTORS							
Inductor, series 11RHBP, 15UH	L1–L4	4	Toko America	A7503AY-150M	Toko America	A7503AY-150M	No ALT Part No.
HEADERS AND JACKS							
Header, 2 Pin Male, Straight, Gold	JP1–JP10, CFG1		Sullins	PZC02SAAN	Digi-Key	S1011-02	No ALT Part No.
	CFG2, FM0, FM1, FMT0, FMT1, FM2, GAIN0, GAIN1	19	Sullins	PZC02SAAN	Digi-Key	S1011-02	No ALT Part No.
Header, 3 Pin Male, Straight, Gold	JP11–JP16	6	Sullins	PZC03SAAN	Digi-Key	S1011-03	No ALT Part No.
Socket header, 2x8 Pin Female Gold PCB-RA	J1	1	Samtec	SSW-108-02-G-D-RA	Samtec	SSW-108-02-G-D-RA	No ALT Part No.
JACK, RCA, PCB-RA, ECONO All-metal	RCA	1	CUI Stack	RCJ-017	Digi-Key	CP-1466	No ALT Part No.
Jack, RCA, PCB-Vertical, Black	LIN, RIN	2	CUI Stack	RCJ-051	Digi-Key	CP-1424	No ALT Part No.
SHUNTS							
Shunt, Black AU Flash 0.100	JP2, JP11(1-2), JP12(1-2), JP13(1-2), JP14(1-2), JP15(2-3), JP16(2-3), GAIN0, GAIN1, FM0, FM1	11	Sullins	SPC02SYAN	Digi-Key	S9001	No ALT Part No.
TESTPOINTS AND SWITCHES							
PC Testpoint, Orange	BKNDERR, LRCLK, MCLK, MUTE, PDN, RESET, SCLK		Keystone Electronics	5003	Digi-Key	5003K	No ALT Part No.

Table 7. Bill of Materials for TAS5704EVM (continued)

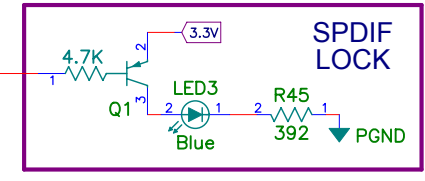
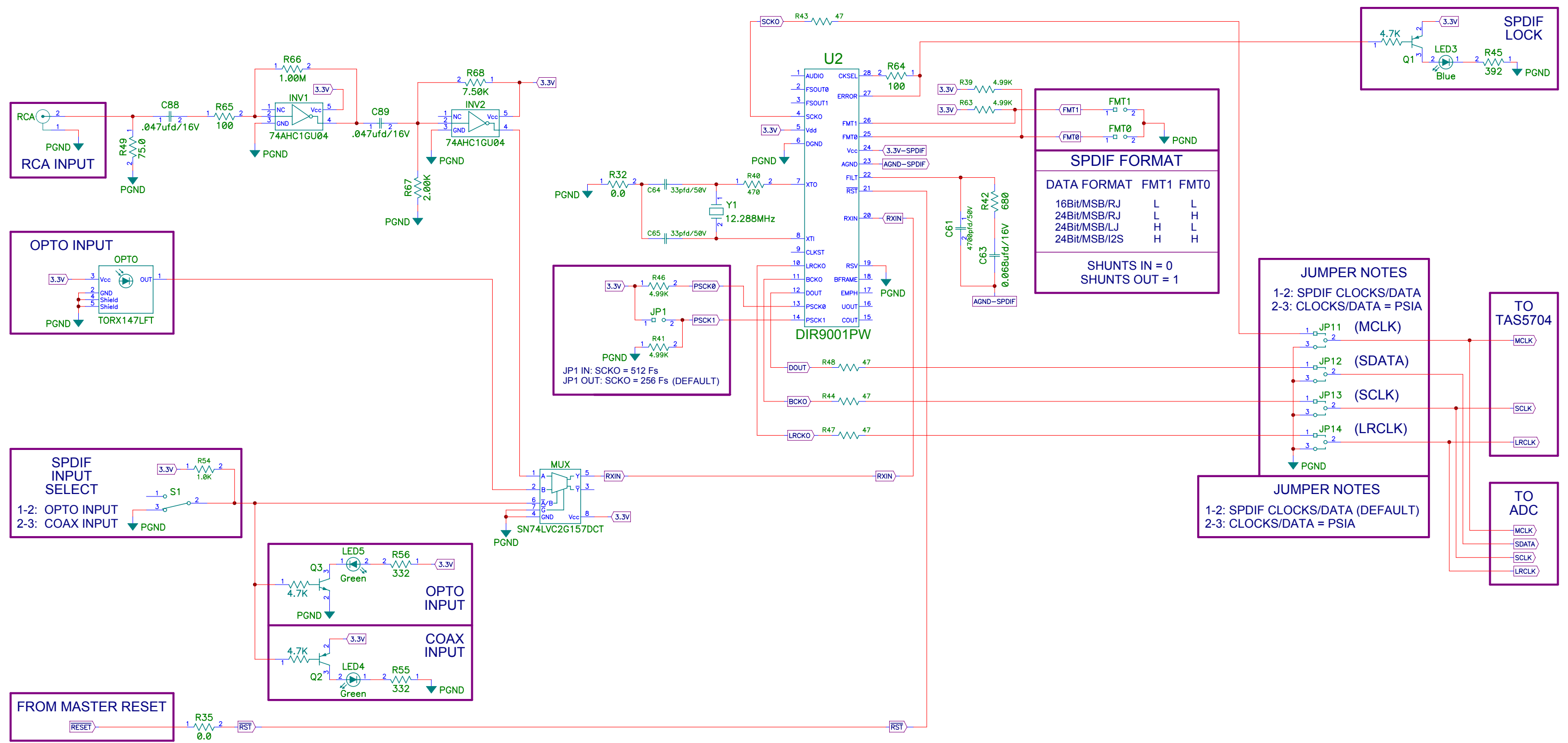
Description	RefDes	QTY	MFR	MFR:Part No.	Vendor	Vendor Part No.	ALT Part No.
	SHUTDOWN, SUBM, SUBP, VALID	11	Keystone Electronics	5003	Digi-Key	5003K	No ALT Part No.
Switch, Momentary SMT-Short, Black Tab, 160g	S2-S4	3	Panasonic	EVQ-PPBA25	Digi-Key	P8086STR	P8086SCT
Switch, SPST, VERT-PCB ROHS	S1	1	NKK Switches	G12AP-RO	Digi-Key	360-1758	360-1701
NON-INSULATED WIRE GROUND LOOPS							
Non-insulated bus wire, 10MM Length, 18 AWG	PGND, PGND	2	Belden CDT	8019000100	Mouser	566-8019	No ALT Part No.
Bend the wire lengths into a 'U' shape and solder to the board. Leave a gap of around 0.3 inch between the board and the wire.							
BINDING POSTS							
Binding post, 15A, uninsulated	OUTA, OUTB, OUTC, OUTD, GND, GND	6	Johnson Components	111-2223-001	Digi-Key	J587	No ALT Part No.
Binding post, Red, 15A ECONO	PVCC, VIN	2	Keystone Electronics	7006	Digi-Key	7006K	No ALT Part No.
Binding post, Black, 15A ECONO	PGND, GND(PGND)	2	Keystone Electronics	7007	Digi-Key	7007K	No ALT Part No.
STANDOFFS AND HARDWARE							
Standoff 4-40 Threaded M/F 0.75 in. ALUM-HEX	HW1-HW6	6	Keystone Electronics	8403K	Digi-Key	8403K	No ALT Part No.
Hex Nut, 4-40, Zinc/Steel	HW1-HW6	6	Building Fasteners	HNZ440	Digi-Key	H216	No ALT Part No.
Component Count: 262							
COMPONENTS NOT ASSEMBLED							
C77, C14, C32, C39, C40, C30, C45, C56, C31, C33, C12, C19, C27, C34, C17, C20, C21, C22, R11, R13, R14, R15							

4.5 Schematic

The schematics are appended to this document.

SPDIF RECEIVER

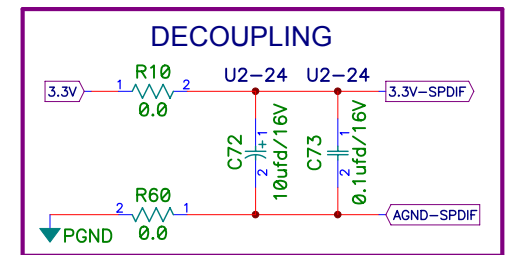
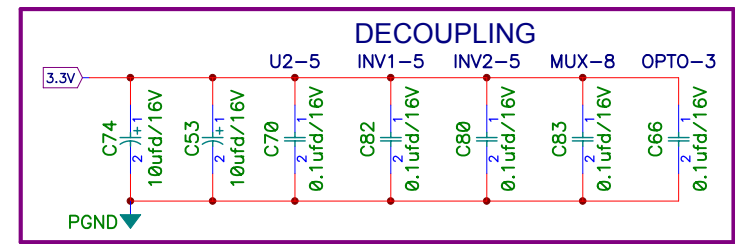
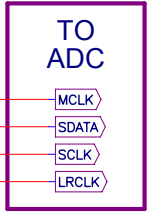
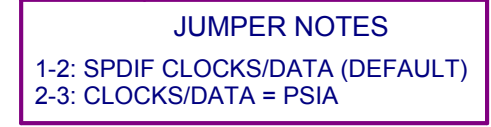
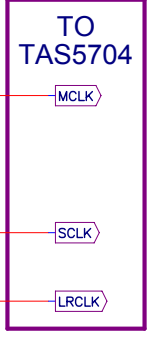
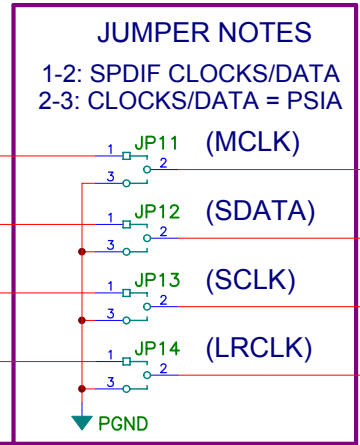
ENGINEERING EVALUATION ONLY



SPDIF FORMAT

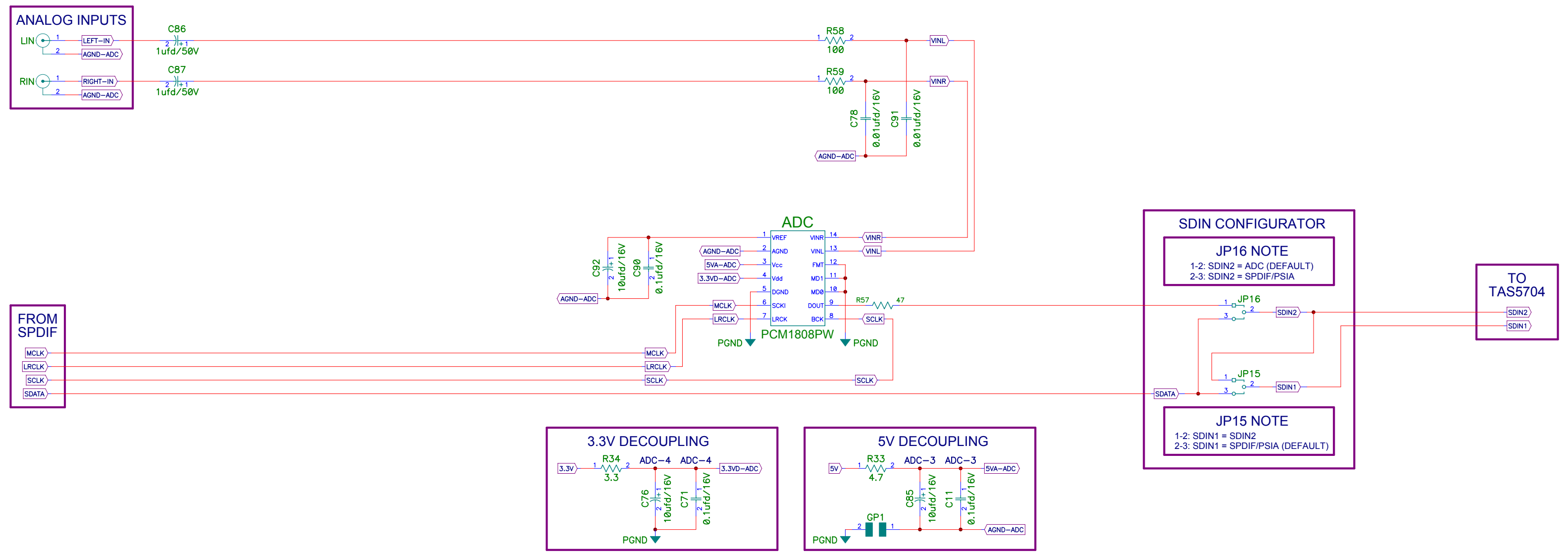
DATA FORMAT	FMT1	FMT0
16Bit/MSB/RJ	L	L
24Bit/MSB/RJ	L	H
24Bit/MSB/LJ	H	L
24Bit/MSB/I2S	H	H

SHUNTS IN = 0
SHUNTS OUT = 1



ANALOG TO DIGITAL CONVERTER

ENGINEERING EVALUATION ONLY



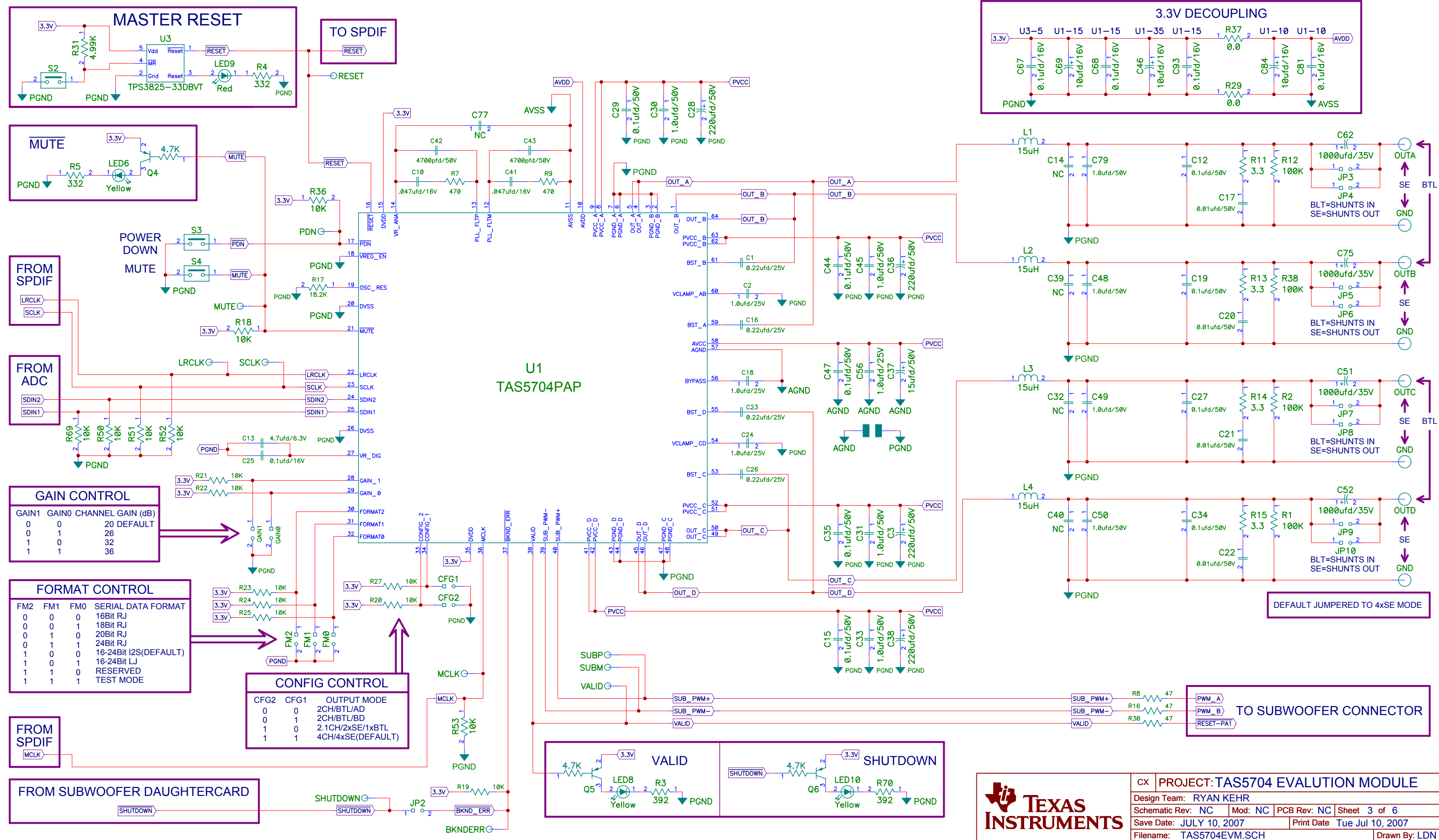
SDIN CONFIGURATOR

JP16 NOTE
 1-2: SDIN2 = ADC (DEFAULT)
 2-3: SDIN2 = SPDIF/PSIA

JP15 NOTE
 1-2: SDIN1 = SDIN2
 2-3: SDIN1 = SPDIF/PSIA (DEFAULT)

TAS5704 I/O

ENGINEERING EVALUATION ONLY



GAIN CONTROL

GAIN1	GAIN0	CHANNEL GAIN (dB)
0	0	20 DEFAULT
0	1	26
1	0	32
1	1	36

FORMAT CONTROL

FM2	FM1	FM0	SERIAL DATA FORMAT
0	0	0	16Bit RJ
0	0	1	18Bit RJ
0	1	0	20Bit RJ
0	1	1	24Bit RJ
1	0	0	16-24Bit I2S(DEFAULT)
1	0	1	16-24Bit LJ
1	1	0	RESERVED
1	1	1	TEST MODE

CONFIG CONTROL

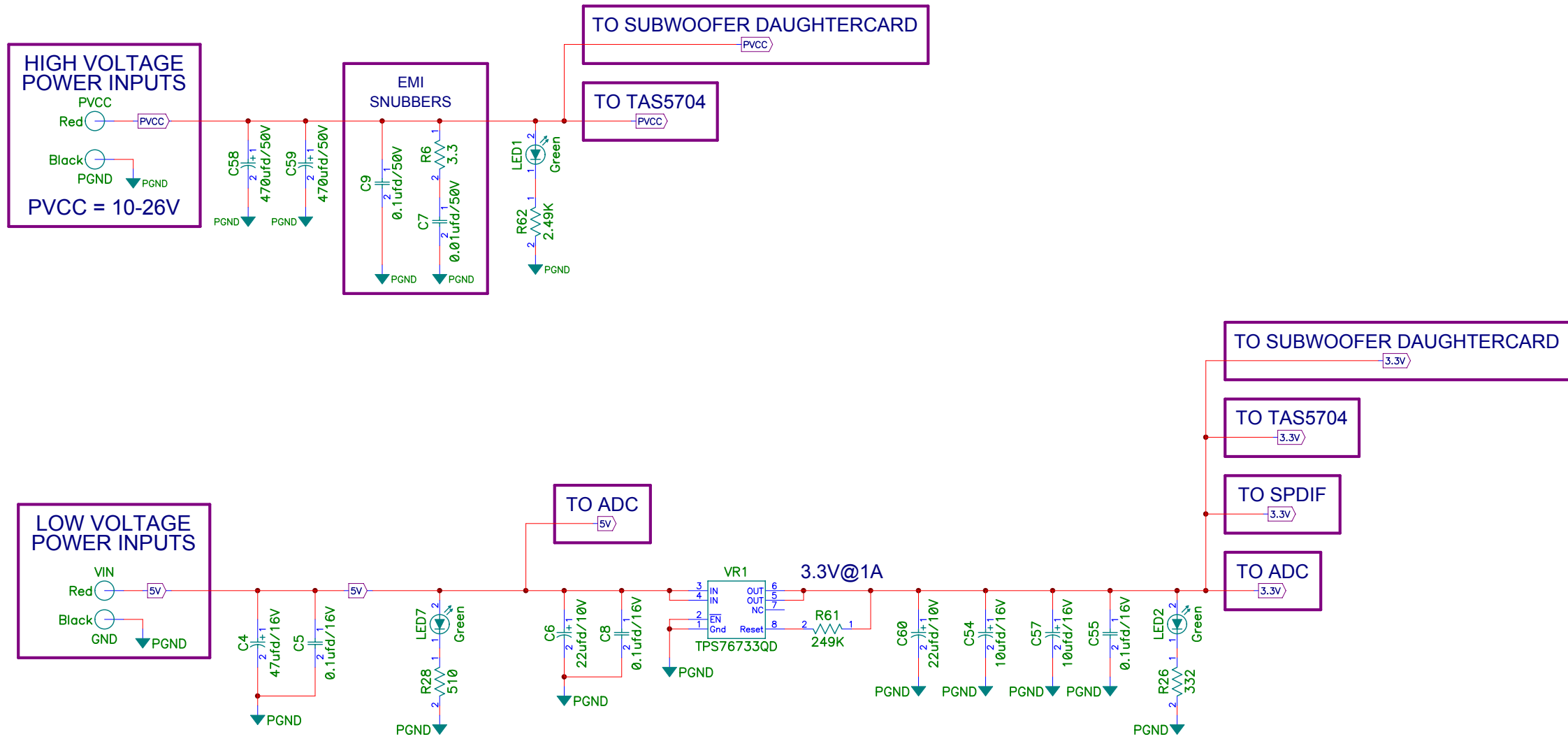
CFG2	CFG1	OUTPUT MODE
0	0	2CH/BTL/AD
0	1	2CH/BTL/BD
1	0	2.1CH/2xSE/1xBTL
1	1	4CH/4xSE(DEFAULT)

DEFAULT JUMPED TO 4xSE MODE

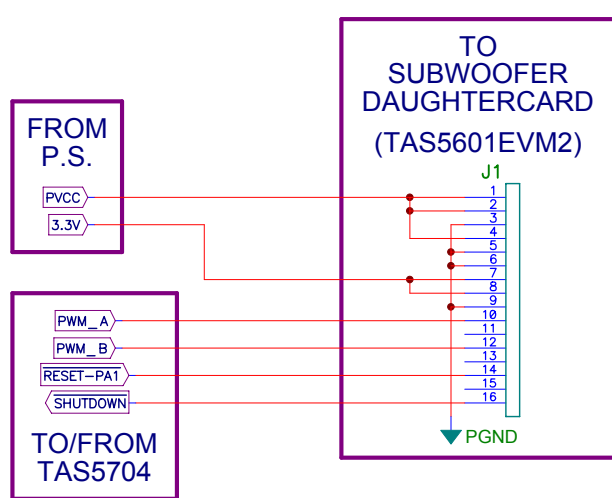


POWER SUPPLIES

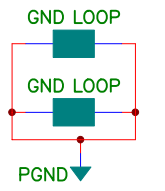
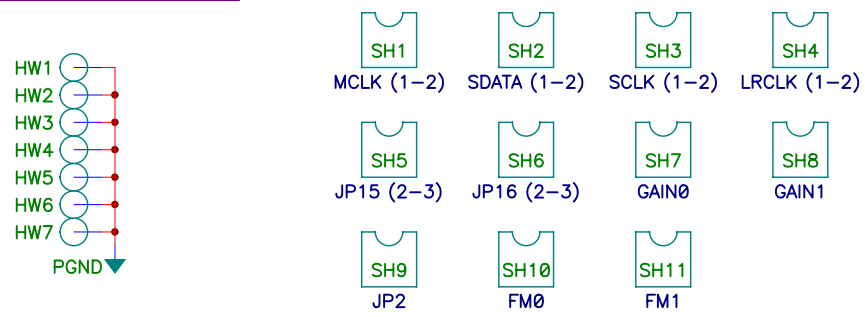
ENGINEERING EVALUATION ONLY



SUBWOOFER CONNECTOR



BOM ONLY



REVISION CHANGES

ENGINEERING EVALUATION ONLY

REVISION	DESCRIPTION	DATE	APPROVAL
NC	PRE-RELEASE	10JUL2007	RK



DISCLAIMER

The information and materials ("Materials") provided here are provided by Texas Instruments Incorporated ("TI") as a service to its customers and/or suppliers, and may be used for informational purposes only, and only subject to the following terms. By downloading or viewing these Materials, you are signifying your assent to these terms.

- 1.) These preliminary evaluation schematics are intended for use for PRELIMINARY ENGINEERING DEVELOPMENT AND EVALUATION PURPOSES ONLY and are not considered by Texas Instruments to be fit as a basis for establishing production products or systems. This information may be incomplete in several respects, including but not limited to information relating to required design, marketing, and/or manufacturing-related protective considerations and product safety measures typically found in the end-product incorporating the goods.
- 2.) Accordingly, neither TI nor its suppliers warrant the accuracy or completeness of the information, text, graphics, links or other items contained within the Materials. TI may make changes to the Materials, or to the products described therein, at any time without notice. TI makes no commitment to update the Materials.
- 3.) TI assumes no liability for applications assistance, customer product design, software performance, or services that may be described or referenced in the Materials. The user assumes all responsibility and liability for proper and safe design and handling of goods. Accordingly, the user indemnifies TI from all claims arising from its use of the Materials.
- 4.) TI currently deals with various customers for products, and therefore our arrangement with the user will not be exclusive. TI makes no representations regarding the commercial availability of non-TI components that may be referenced in the Materials.
- 5.) No license is granted under any patent right or other intellectual property right of TI covering or relating to any combination, machine, or process in which such TI products or services might be or are used. Except as expressly provided herein, TI and its suppliers do not grant any express or implied right to you under any patents, copyrights, trademarks, or trade secret information.
- 6.) Performance tests and ratings, to the extent referenced in the Materials, are measured using specific computer systems and/or components and reflect the approximate performance of TI products as measured by those tests. Any difference in system hardware or software design or configuration may affect actual performance. Buyers should consult other sources of information to evaluate the performance of systems or components they are considering purchasing.
- 7.) Resale of TI's products or services with statements different from or beyond the parameters stated by TI for that product or service in official TI data books or data sheets voids all express and any implied warranties for the associated TI product or service, and is an unfair and deceptive business practice, and TI is not responsible for any such use.
- 8.) The Materials are copyrighted and any unauthorized use may violate copyright, trademark, and other laws. You may only download one copy for your internal use only, unless you are specifically licensed to do otherwise by TI in writing. This is a license, not a transfer of title, and is subject to the following restrictions: You may not:
 - (a) modify the Materials (including any associated warranties, conditions, limitations or notices) or use them for any commercial purpose, or any public display, performance, sale or rental;
 - (b) decompile, reverse engineer, or disassemble software Materials except and only to the extent permitted by applicable law;
 - (c) remove any copyright or other proprietary notices from the Materials;
 - (d) transfer the Materials to another person. You agree to prevent any unauthorized copying of the Materials. TI may terminate this license at any time if you are in breach of the terms of this Agreement. Upon termination, you will immediately destroy the Materials.
- 9.) THE MATERIALS ARE PROVIDED "AS IS" WITHOUT ANY EXPRESS OR IMPLIED WARRANTY OF ANY KIND INCLUDING WARRANTIES OF MERCHANTABILITY, NONINFRINGEMENT OF INTELLECTUAL PROPERTY, OR FITNESS FOR ANY PARTICULAR PURPOSE. IN NO EVENT SHALL TI OR ITS SUPPLIERS BE LIABLE FOR ANY DAMAGES WHATSOEVER (INCLUDING, WITHOUT LIMITATION, DAMAGES FOR LOSS OF PROFITS, BUSINESS INTERRUPTION, LOSS OF INFORMATION) ARISING OUT OF THE USE OF OR INABILITY TO USE THE MATERIALS, EVEN IF TI HAS BEEN ADVISED OF THE POSSIBILITY OF SUCH DAMAGES.

Spare Gate Table		
Last Used	Not Used	Spare Gates
ADC		
BKNDERR		
C93		
CFG2		
FM2		
FMT1		
G2		
GAIN1		
GND4		
GP1		
GPL1		
HW7		
INV2		
J1		
JP16		
L4		
LED10		
LIN		
LRCLK		
MCLK		
MUTE		
MUX		
OPTO		
OUTA		
OUTB		
OUTC		
OUTD		
PDN		
PVCC		
Q6		
R70		
RCA		
RESET		
RIN		
S4		
SCLK		
SH11		
SHUTDOWN		
SUBM		
SUBP		
U3		
VALID		
VIN		
VR1		
Y1		

EVALUATION BOARD/KIT IMPORTANT NOTICE

Texas Instruments (TI) provides the enclosed product(s) under the following conditions:

This evaluation board/kit is intended for use for **ENGINEERING DEVELOPMENT, DEMONSTRATION, OR EVALUATION PURPOSES ONLY** and is not considered by TI to be a finished end-product fit for general consumer use. Persons handling the product(s) must have electronics training and observe good engineering practice standards. As such, the goods being provided are not intended to be complete in terms of required design-, marketing-, and/or manufacturing-related protective considerations, including product safety and environmental measures typically found in end products that incorporate such semiconductor components or circuit boards. This evaluation board/kit does not fall within the scope of the European Union directives regarding electromagnetic compatibility, restricted substances (RoHS), recycling (WEEE), FCC, CE or UL, and therefore may not meet the technical requirements of these directives or other related directives.

Should this evaluation board/kit not meet the specifications indicated in the User's Guide, the board/kit may be returned within 30 days from the date of delivery for a full refund. **THE FOREGOING WARRANTY IS THE EXCLUSIVE WARRANTY MADE BY SELLER TO BUYER AND IS IN LIEU OF ALL OTHER WARRANTIES, EXPRESSED, IMPLIED, OR STATUTORY, INCLUDING ANY WARRANTY OF MERCHANTABILITY OR FITNESS FOR ANY PARTICULAR PURPOSE.**

The user assumes all responsibility and liability for proper and safe handling of the goods. Further, the user indemnifies TI from all claims arising from the handling or use of the goods. Due to the open construction of the product, it is the user's responsibility to take any and all appropriate precautions with regard to electrostatic discharge.

EXCEPT TO THE EXTENT OF THE INDEMNITY SET FORTH ABOVE, NEITHER PARTY SHALL BE LIABLE TO THE OTHER FOR ANY INDIRECT, SPECIAL, INCIDENTAL, OR CONSEQUENTIAL DAMAGES.

TI currently deals with a variety of customers for products, and therefore our arrangement with the user **is not exclusive.**

TI assumes **no liability for applications assistance, customer product design, software performance, or infringement of patents or services described herein.**

Please read the User's Guide and, specifically, the Warnings and Restrictions notice in the User's Guide prior to handling the product. This notice contains important safety information about temperatures and voltages. For additional information on TI's environmental and/or safety programs, please contact the TI application engineer or visit www.ti.com/esh.

No license is granted under any patent right or other intellectual property right of TI covering or relating to any machine, process, or combination in which such TI products or services might be or are used.

FCC Warning

This evaluation board/kit is intended for use for **ENGINEERING DEVELOPMENT, DEMONSTRATION, OR EVALUATION PURPOSES ONLY** and is not considered by TI to be a finished end-product fit for general consumer use. It generates, uses, and can radiate radio frequency energy and has not been tested for compliance with the limits of computing devices pursuant to part 15 of FCC rules, which are designed to provide reasonable protection against radio frequency interference. Operation of this equipment in other environments may cause interference with radio communications, in which case the user at his own expense will be required to take whatever measures may be required to correct this interference.

EVM WARNINGS AND RESTRICTIONS

It is important to operate this EVM within the input voltage range (PVCC and VIN, correspondingly) of 26 V at 3 A, 5 V at 500 mA and output power of 20 W maximum.

Exceeding the specified input range may cause unexpected operation and/or irreversible damage to the EVM. If there are questions concerning the input range, please contact a TI field representative prior to connecting the input power.

Applying loads outside of the specified output range may result in unintended operation and/or possible permanent damage to the EVM. Please consult the EVM User's Guide prior to connecting any load to the EVM output. If there is uncertainty as to the load specification, please contact a TI field representative.

During normal operation, some circuit components may have case temperatures greater than 60°C. The EVM is designed to operate properly with certain components above 60°C as long as the input and output ranges are maintained. These components include but are not limited to linear regulators, switching transistors, pass transistors, and current sense resistors. These types of devices can be identified using the EVM schematic located in the EVM User's Guide. When placing measurement probes near these devices during operation, please be aware that these devices may be very warm to the touch.

Mailing Address: Texas Instruments, Post Office Box 655303, Dallas, Texas 75265
Copyright 2008, Texas Instruments Incorporated

IMPORTANT NOTICE

Texas Instruments Incorporated and its subsidiaries (TI) reserve the right to make corrections, modifications, enhancements, improvements, and other changes to its products and services at any time and to discontinue any product or service without notice. Customers should obtain the latest relevant information before placing orders and should verify that such information is current and complete. All products are sold subject to TI's terms and conditions of sale supplied at the time of order acknowledgment.

TI warrants performance of its hardware products to the specifications applicable at the time of sale in accordance with TI's standard warranty. Testing and other quality control techniques are used to the extent TI deems necessary to support this warranty. Except where mandated by government requirements, testing of all parameters of each product is not necessarily performed.

TI assumes no liability for applications assistance or customer product design. Customers are responsible for their products and applications using TI components. To minimize the risks associated with customer products and applications, customers should provide adequate design and operating safeguards.

TI does not warrant or represent that any license, either express or implied, is granted under any TI patent right, copyright, mask work right, or other TI intellectual property right relating to any combination, machine, or process in which TI products or services are used. Information published by TI regarding third-party products or services does not constitute a license from TI to use such products or services or a warranty or endorsement thereof. Use of such information may require a license from a third party under the patents or other intellectual property of the third party, or a license from TI under the patents or other intellectual property of TI.

Reproduction of TI information in TI data books or data sheets is permissible only if reproduction is without alteration and is accompanied by all associated warranties, conditions, limitations, and notices. Reproduction of this information with alteration is an unfair and deceptive business practice. TI is not responsible or liable for such altered documentation. Information of third parties may be subject to additional restrictions.

Resale of TI products or services with statements different from or beyond the parameters stated by TI for that product or service voids all express and any implied warranties for the associated TI product or service and is an unfair and deceptive business practice. TI is not responsible or liable for any such statements.

TI products are not authorized for use in safety-critical applications (such as life support) where a failure of the TI product would reasonably be expected to cause severe personal injury or death, unless officers of the parties have executed an agreement specifically governing such use. Buyers represent that they have all necessary expertise in the safety and regulatory ramifications of their applications, and acknowledge and agree that they are solely responsible for all legal, regulatory and safety-related requirements concerning their products and any use of TI products in such safety-critical applications, notwithstanding any applications-related information or support that may be provided by TI. Further, Buyers must fully indemnify TI and its representatives against any damages arising out of the use of TI products in such safety-critical applications.

TI products are neither designed nor intended for use in military/aerospace applications or environments unless the TI products are specifically designated by TI as military-grade or "enhanced plastic." Only products designated by TI as military-grade meet military specifications. Buyers acknowledge and agree that any such use of TI products which TI has not designated as military-grade is solely at the Buyer's risk, and that they are solely responsible for compliance with all legal and regulatory requirements in connection with such use.

TI products are neither designed nor intended for use in automotive applications or environments unless the specific TI products are designated by TI as compliant with ISO/TS 16949 requirements. Buyers acknowledge and agree that, if they use any non-designated products in automotive applications, TI will not be responsible for any failure to meet such requirements.

Following are URLs where you can obtain information on other Texas Instruments products and application solutions:

Products

Amplifiers	amplifier.ti.com
Data Converters	dataconverter.ti.com
DSP	dsp.ti.com
Clocks and Timers	www.ti.com/clocks
Interface	interface.ti.com
Logic	logic.ti.com
Power Mgmt	power.ti.com
Microcontrollers	microcontroller.ti.com
RFID	www.ti-rfid.com
RF/IF and ZigBee® Solutions	www.ti.com/lprf

Applications

Audio	www.ti.com/audio
Automotive	www.ti.com/automotive
Broadband	www.ti.com/broadband
Digital Control	www.ti.com/digitalcontrol
Medical	www.ti.com/medical
Military	www.ti.com/military
Optical Networking	www.ti.com/opticalnetwork
Security	www.ti.com/security
Telephony	www.ti.com/telephony
Video & Imaging	www.ti.com/video
Wireless	www.ti.com/wireless

Mailing Address: Texas Instruments, Post Office Box 655303, Dallas, Texas 75265
Copyright © 2008, Texas Instruments Incorporated