



ISL Products International

**ø 52mm Planetary Gear Motor
Carbon - Brushed
MOT-IG52GM 24V-L**

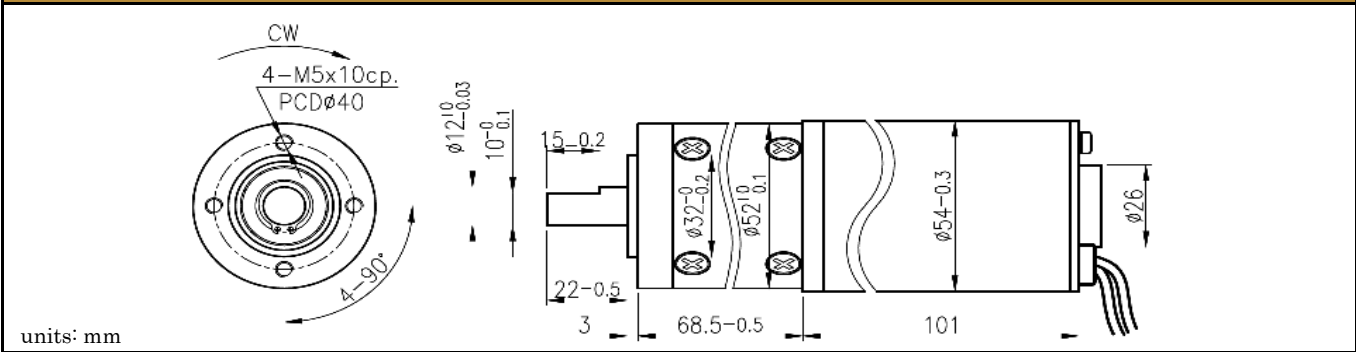
Our Planetary Gear Motors are an inline solution providing excellent torque output at various speeds. They are equipped to handle varying loads and are best for intermittent duty operation. With endless performance combinations, we have a fully tailored gear motor solution for you.



Contact Us for alternative solutions!

Specifications			
Gearhead Type:	Planetary	No-Load Speed:	210 rpm (+/- 10%)
Motor Type:	Carbon - Brushed	No-Load Current:	< 600 mA
Rated Voltage:	24V DC	Stall Torque:	164 kg.cm
Rated Speed:	186 rpm	Max. Power:	88 W
Rated Torque:	19 kg.cm	Reduction Ratio:	19:1
Rated Current:	2.9 A	Termination Style:	Terminals

Dimensions



Performance Curve

