



**Electrical specifications**

**Center Frequency:** 1227 MHz  
**Bandwidth:** +/- 15 MHz  
**Input / Output Impedance:** 50 Ohms  
**Passband:** 1219.5-1234.5 MHz  
**Passband Insertion Loss:** 0.95 dB  
**Passband Ripple:** 0.15 dB  
**Passband Return Loss:** 15.0 dB  
**Rejection:** Fo - 140 MHz 30.9 dB  
**Rejection 2:** Fo + 140 MHz 22.7 dB  
**Power Handling:** 1 W

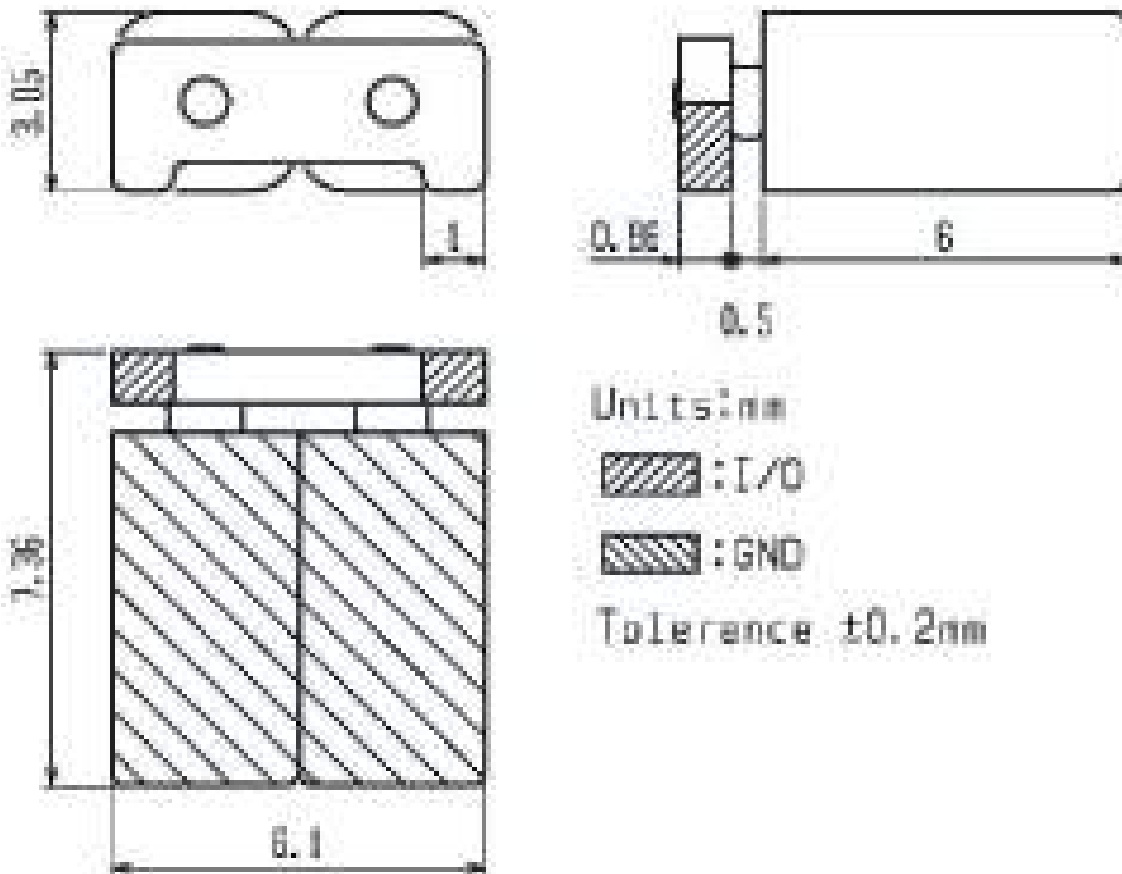
**Mechanical**

**Mounting Method:** SMT  
**Dimensions:** 9.36 x 8.1 x 6 mm

**Environmental**

**Operating Temperature:** -30°C to +70°C  
**Storage Temperature:** -50°C to +90°C

**Outline Drawing:**



**Outside dimensions**