

Alle Rechte vorbehalten/ All rights reserved

5

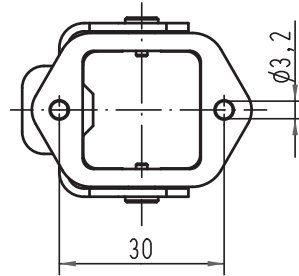
4

3

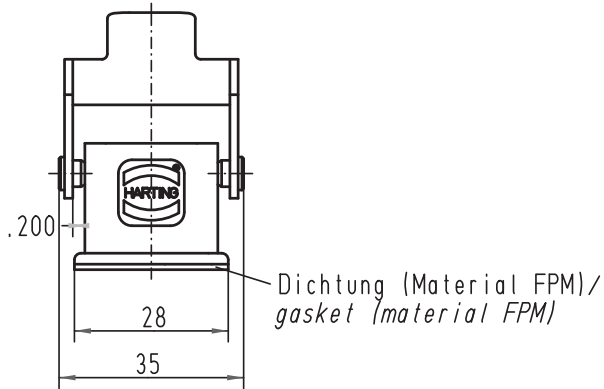
2

1

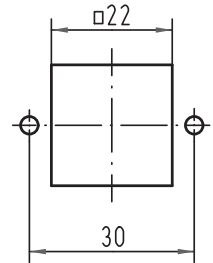
D



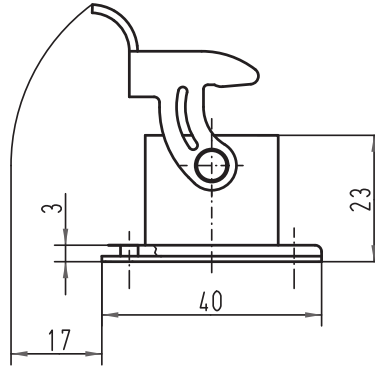
C



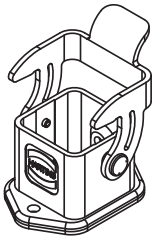
Montageasschnitt/  
panel cut out



B



A



|   |      |                   |                                |             |   |  |
|---|------|-------------------|--------------------------------|-------------|---|--|
| All Dimensions in mm<br>Original Size DIN A 4 |      | Techn. Character. |                                |             | Nicht tolerierte Maß/Free size tolerances |  |
|   |      |                   | Dat.                           | Name        | Maßstab/Scale<br><b>1:1</b>               | <b>Han 3A-agg-QB</b><br>Anbaugeschäule-Metall-grau<br>housing bulkhead mounting-metal-grey |
|   |      |                   | Detail.                        | 09.02.09 ML |   |  |
|   |      |                   | Insp.                          | Sch         |   |  |
|   |      |                   | Stand.                         |             |   |  |
| A   |      |                   | HARTING Electric GmbH & Co. KG |             |   | <b>TB 09 20 003 0321</b><br>Sub. f. TB 09 20 003 0321 v. 01.04.99                          |
| Mod.  | Dat. | Name              | D-32339 Espelkamp              |             |   |  |
|   |      |                   |                                |             |   | Blatt/page   |