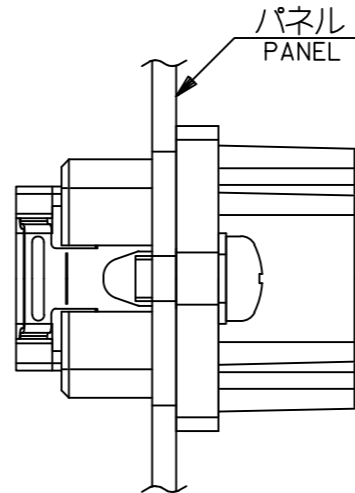
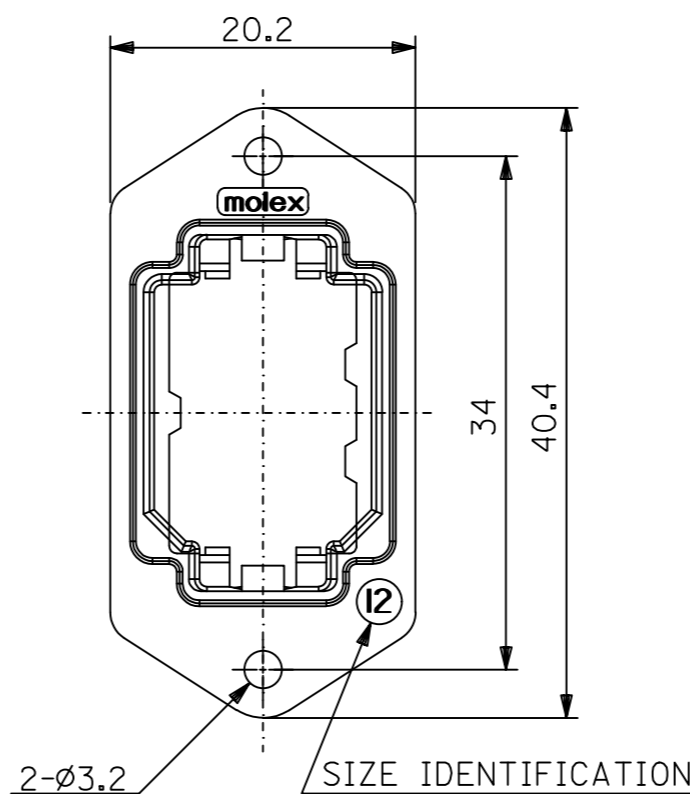
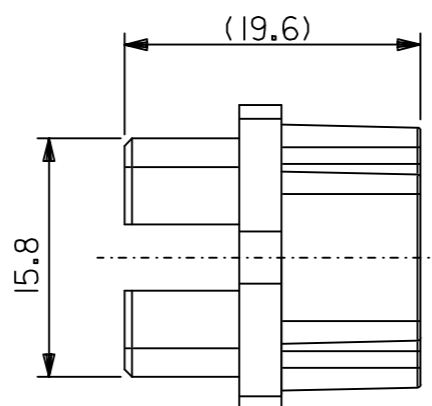
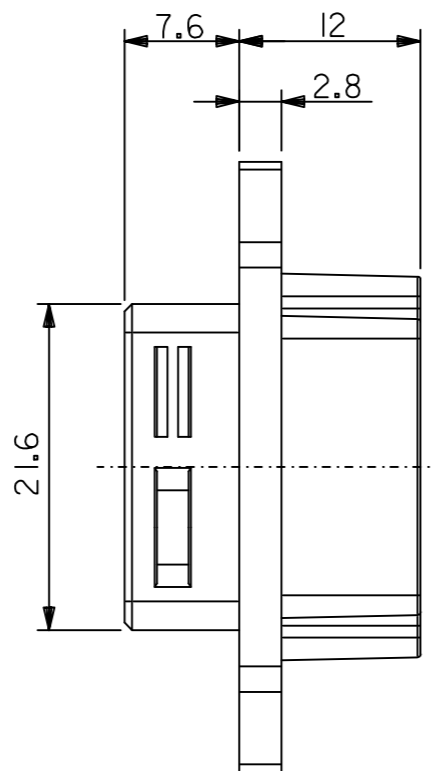
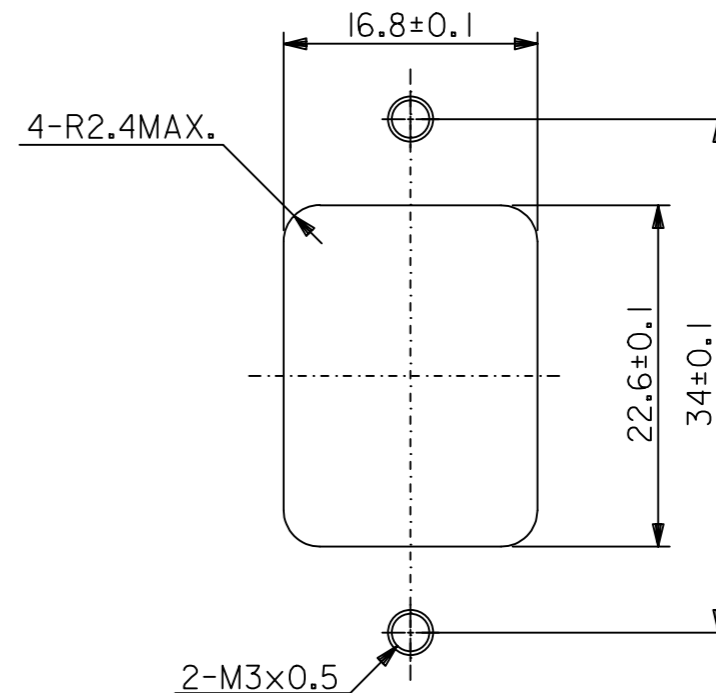


ハウジング挿入方向キー
POLARIZATIONS KEY FOR HOUSING



パネル前面取り付け
FRONT MOUNT TYPE



推奨パネル切り取り寸法 (前面取り付け)
RECOMMENDED PANEL OPENING (FRONT MOUNTING)

注記
NOTES

- 材質
MATERIAL
亜鉛合金, ニッケルメッキ
ZINC ALLOY, NI PLATING
- 適用ハウジングアッセンブリ: 51233-121* (PIN HS'G ASS'Y)
51238-121* (SOCKET HS'G ASS'Y)
55890-041* (PIN HS'G ASS'Y)
51300-041* (SOCKET HS'G ASS'Y)
APPLICABLE HOUSING ASS'Y: 51233-121* (PIN HS'G ASS'Y)
51238-121* (SOCKET HS'G ASS'Y)
55890-041* (PIN HS'G ASS'Y)
51300-041* (SOCKET HS'G ASS'Y)
- 推奨ねじ締め付けトルク: 5~6 kgf・cm
RECOMMENDED SCREW TIGHTENING TORQUE: 5~6 kgf・cm

563771200	56377-1200	56377-****
MATERIAL NO.	ENG. NO.	MODEL NO.

FUNCTIONAL SYMBOLS F=0 E=0 P=0	THIS DRAWING CONTAINS INFORMATION THAT IS PROPRIETARY TO MOLEX ELECTRONIC TECHNOLOGIES, LLC AND SHOULD NOT BE USED WITHOUT WRITTEN PERMISSION			
	DIMENSION UNITS	SCALE		
	MM	2:1	PRODUCT CUSTOMER DRAWING	
	CURRENT REV DESC: CONVERTED TO AUTOCAD. TRADEMARK LOGO "MOLEX" CHANGED		DOCUMENT NUMBER	
GENERAL TOLERANCES (UNLESS SPECIFIED)		DOC TYPE/DOC PART/REVISION		
mm INCH		SD-56377-004 PSD 001 A1		
4 PLACES ±--- ±---		EC NO: 652148		
3 PLACES ±--- ±---		DRWN: ABENJAMINLW 2020/11/26		
2 PLACES ±--- ±---		CHK'D: MBIZZOZERO 2021/03/02		
1 PLACE ±--- ±---		APPR: MBIZZOZERO 2021/03/02		
0 PLACES ±--- ±---		INITIAL REVISION:		
ANGULAR TOL ± --- °		DRWN: SAKIYAMA 2001/03/07		
DRAFT WHERE APPLICABLE MUST REMAIN WITHIN DIMENSIONS		APPR: SAKIYAMA 2001/03/07		
THIRD ANGLE PROJECTION		SERIES		
DRAWING		56377		
B-SIZE		MATERIAL NUMBER		
SEE CHART		CUSTOMER		
GENERAL MARKET		SHEET NUMBER		
1 OF 1				