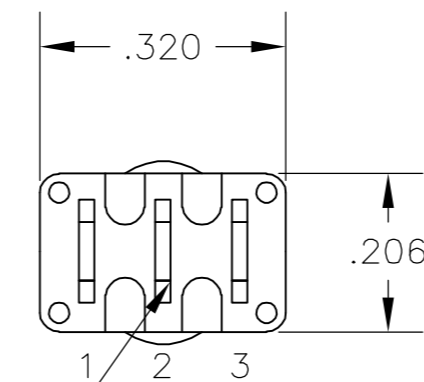
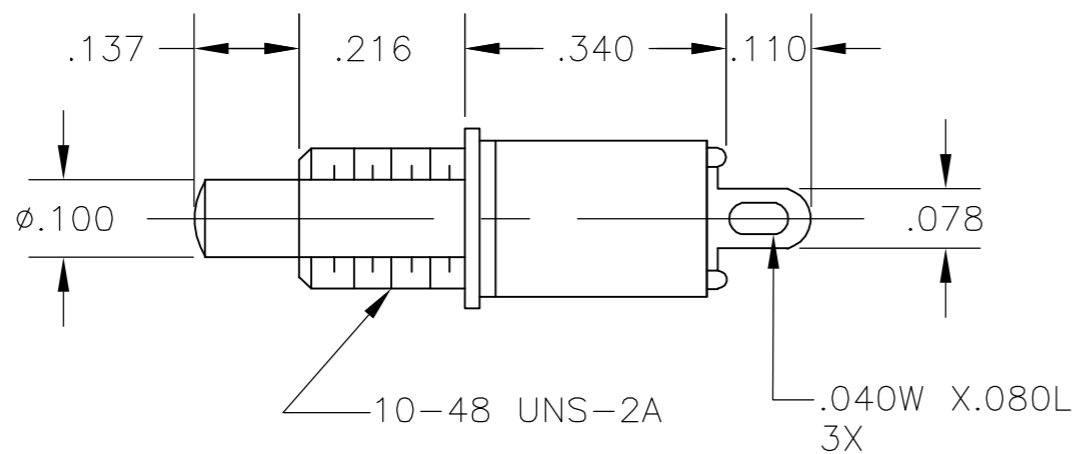
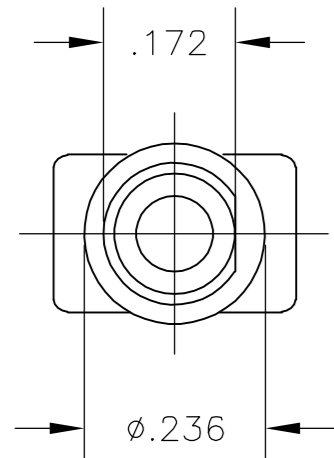


THIS DRAWING IS UNPUBLISHED. RELEASED FOR PUBLICATION
 © COPYRIGHT BY TYCO ELECTRONICS CORPORATION. ALL RIGHTS RESERVED.

LOC	DIST	REVISIONS			
P	LTR	DESCRIPTION	DATE	DWN	APVD
AD	00	B	ECO-06-000585	08AUG06	BSV MZ



CENTER TERMINALS NOT FURNISHED ON TPC13C*

SPECIFICATIONS

MATERIALS:

CASE: HIGH TEMPERATURE POLYESTER, UL 94V-0
 ACTUATOR BUTTON: THERMOPLASTIC, COLORS: SEE CHART BELOW.
 MOVING CONTACT: COPPER ALLOY, SILVER PLATED
 TERMINALS: COPPER ALLOY, TIN LEAD PLATED
 TERMINAL SEAL: SP EPOXY
 DP EPOXY OPTIONAL.

ELECTRICAL:

CONTACT RATING: SILVER = 1A @ 125 VAC OR 20 VDC.
 INITIAL CONTACT RESISTANCE: 20 MILLIOHMS MAX.
 INSULATION RESISTANCE: 1,000 MEGAOHMS @ 500 VDC MIN.
 DIELECTRIC STRENGTH: 1,000 VAC
 LIFE EXPECTENCY: SILVER: 1 POLE = 60,000 CYCLES
 2 POLE = 50,000 CYCLES

MECHANICAL:

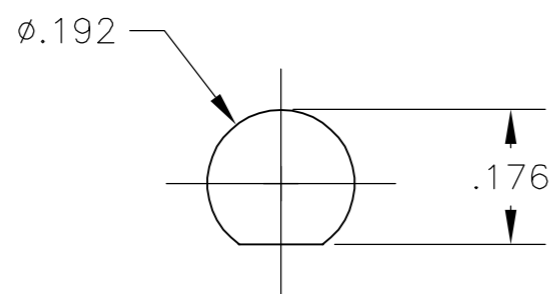
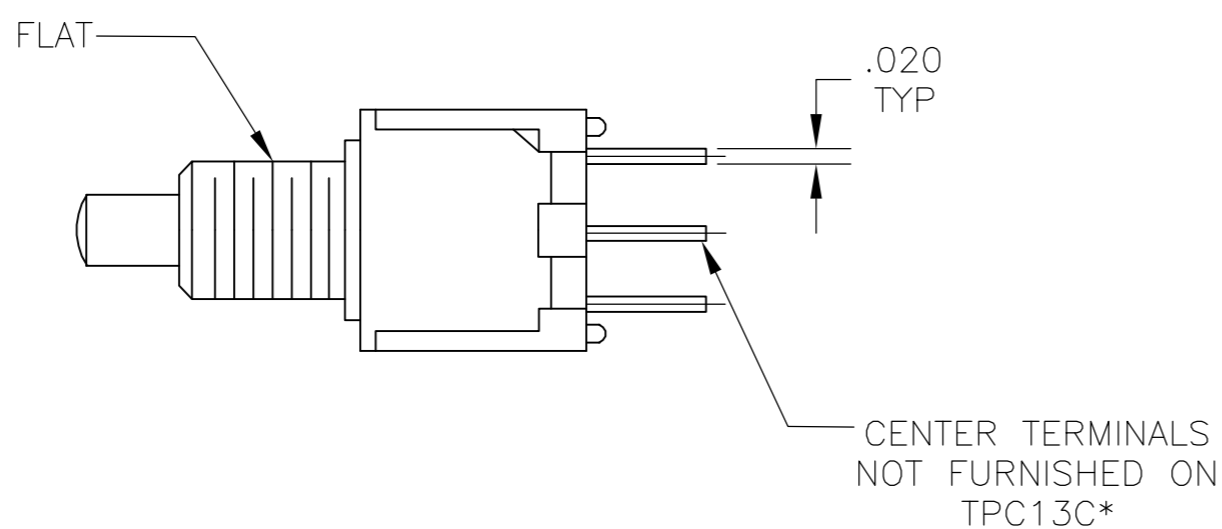
ACTUATION FORCE: 50 TO 400g.
 ACTUATION TRAVEL: .030 APPROX.

ENVIRONMENTAL:

OPENING TEMPERATURE: -22°F TO +149°F (-30°C TO +65°C).
 STORAGE TEMPERATURE: -22°F TO +149°F (-30°C TO +65°C).

NOTES:

- INTERPRET DRAWING PER ASME Y14.5M-1994
- SUPPLIED WITH MOUNTING HARDWARE



RECOMMENDED HOLE LAYOUT
 TOLERANCE ±.002 UNLESS OTHERWISE NOTED

(*)	BUTTON COLORS
(0)	BLACK
(2)	RED
(6)	BLUE

AUGAT D/N 40013

TERMINALS CONNECTED WITH BUTTONS IN POSITIONS SHOWN		
MODEL NO		
TPC13C (*)	OFF	3 TO 1(MOM)
TPC13F (*)	2 TO 1	2 TO 3(MOM)

NOTE:
 TERMINAL DESIGNATION NUMBERS ARE FOR REFERENCE ONLY AND DO NOT APPEAR ON SWITCHES

THIS DRAWING IS A CONTROLLED DOCUMENT.		DWN DRM	20MAR80	Tyco Electronics Corporation Harrisburg, Pa 17105-3608
DIMENSIONS: INCHES		CHK C. BUCKHEIT	21MAR80	
TOLERANCES UNLESS OTHERWISE SPECIFIED:		APVD KJ	21MAR80	NAME PUSHBUTTON SWITCH TPC13 SERIES
0 PLC ± - 1 PLC ± - 2 PLC ± - 3 PLC ± .010 4 PLC ± - ANGLES ± -		PRODUCT SPEC	-	
MATERIAL SEE SPECIFICATIONS		FINISH	WEIGHT	SIZE
SEE SPECIFICATIONS		SEE SPECIFICATIONS	-	CAGE CODE
CUSTOMER DRAWING		SCALE 4:1		DRAWING NO
		SHEET 1 OF 1		RESTRICTED TO
		REV B		

2-1437572-2