

# EdgeReady™ Micro Data Center



Compact Floor-Standing, 15U Usable, 1.5 kVA, 230V

## Benefits

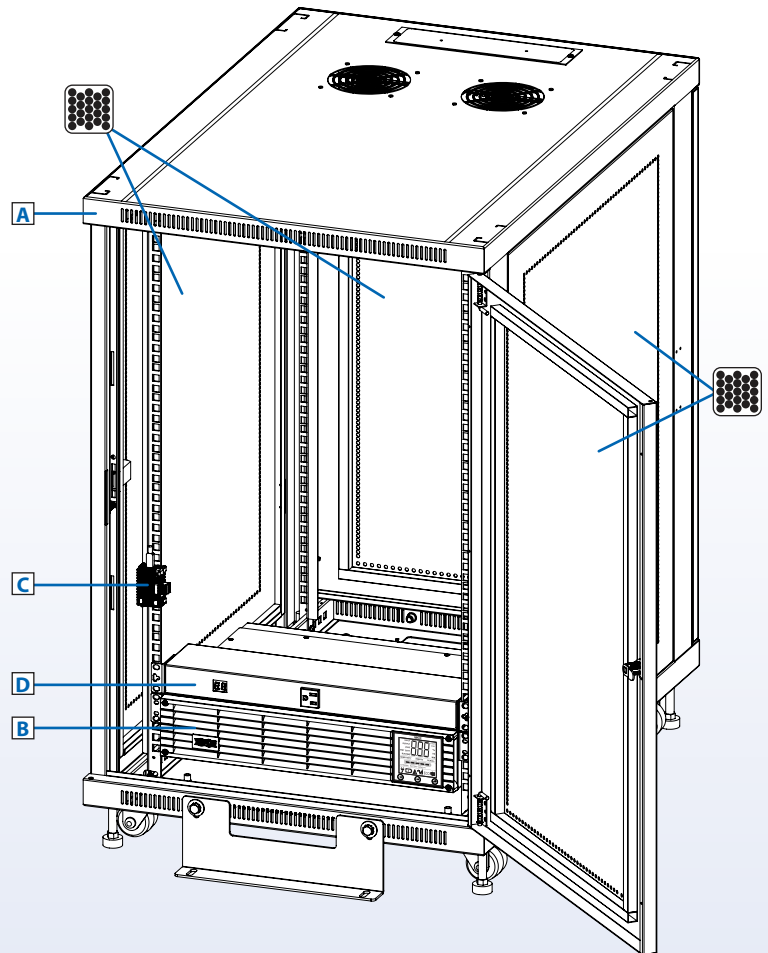
- Provides preconfigured IT infrastructure for edge computing servers, storage and network hardware in space-limited locations
- Integrates secure rack space, reliable power distribution, expandable battery backup, remote management and passive cooling
- Prevents configuration errors, reduces installation time, decreases field costs and standardizes edge computing infrastructure
- Ships three business days from receipt of order, after design, assembly and testing by experts in a controlled environment

## Included Hardware

- A** SR18UB Compact Rack Enclosure (Standard Width)
- B** SMX1500LRT2U SmartPro® UPS System with P056-006-10A Input Cord and WEBCARDLX Network Management Card
- C** E2MTHDI Environmental Sensor (Temperature/Humidity/Digital Inputs)
- D** PDU12IEC Basic PDU with P047-004 Input Cord

Also includes (15) 1U blanking panels with toolless mounting. Assembled/tested unit includes reinforced shock pallet and loading ramps for stable shipment and reshipment with installed IT equipment. Kit version includes major components ready for final assembly on-site.

See Next Page for Customization Options



## Specifications

<b>Model (Kit)</b>	<b>MDK2F15UPX00000</b>
<b>Model (Assembled/Tested)</b>	<b>MDA2F15UPX00000</b>
Output Power Capacity	1.5 kVA/1.35 kW/5.9A Max
Rack Space	18U Total; 15U Usable
Weight Capacity	453 kg Total; 382 kg Usable
Maximum Device Depth	826 mm
Site Power Requirements	230V, 13/16A, 50/60 Hz
Site Outlet Required	BS 1363 (Standard) or CEE 7/7 "Schuko" (Optional)
UPS Type	Line-Interactive with Sine Wave Output
Runtime (50%/100% Load)	14/4.9 min. (Expandable with 1.2 kW Limit)
High-Availability Features	Automatic Voltage Regulation (AVR); Battery Backup; Hot-Swappable Batteries
Usable Outlets (UPS + PDU)	(19) C13, (2) C19
Dimensions (Assembled)	904 x 600 x 851 mm
Weight (Assembled)	72 kg
Warranty*	2-Year Limited Warranty (Extendable)

\*Any component with a warranty longer than 2 years will be covered by the longer warranty.

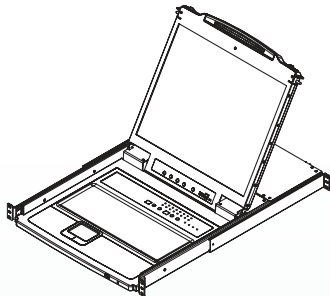


Powering and Connecting Your World

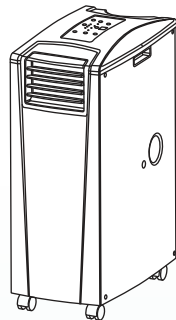
## Unlimited Micro Data Center Customization

Tripp Lite's solutions team is standing by to help you tailor your EdgeReady micro data center to match the business and technology requirements of your edge deployment strategy. We ship custom solutions in as little as five business days, assembled and tested. We can help you customize your EdgeReady micro data center in several ways:

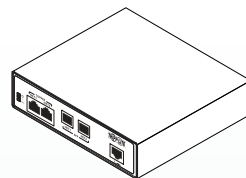
- Quick and easy customization via add-on accessories for the stock configurations
- Upgrades to included components of stock configurations with ready-to-ship alternatives
- Customization of individual components like racks, PDUs and cables (increases lead time)



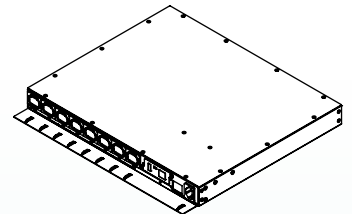
**B020-U16-19-IP**  
1U Rack Console  
with 16-Port KVM Switch  
and Remote Access



**SRXCOOL12KB**  
Portable Air Conditioning Unit  
(3.5 kW)



**B093-008-2E4U-M**  
8-Port Console Server  
with Built-in Modem for  
Fail-Safe Access



**PDUMH15HVNET**  
1U Switched PDU  
with Remote Current  
Monitoring, Alerts and  
Outlet Control

### Optional Accessories, Sold Separately (Visit [tripplite.com](http://tripplite.com) to see the full selection.)

Switched PDU	<b>PDUMH15HVNET</b> with (8) C13; 1U (Replaces standard PDU.)
Battery Packs for Extended Runtime (50%/100% Load)	59/23 min. with <b>BP36V15-2U</b> (Limit 1); 85/34 min. with <b>BP36V27-2US</b> ; 177/73 min. with <b>BP36V42-3U</b>
Cooling	<b>SRXCOOL12KB</b> (3.5 kW; Portable; BS 1363) or <b>SRXCOOL12K</b> (3.5 kW; Portable; CEE 7/7 "Schuko")
KVM Switch	<b>B022-U16-IP</b> ; <b>B020-U16-19-IP</b> (With LCD Console)
Console Server	<b>B093-008-2E4U-M</b>
Door Monitoring Kit	<b>SRSWITCH</b> (Monitors front/rear doors.)
Airflow Management	<b>SR1UBRUSH</b>
Cable Managers	40+ Horizontal, Vertical and External Cable Management Options at <a href="http://tripplite.com">tripplite.com</a>
Power Cords	French/German UPS Input Cord with CEE 7/7 "Schuko" Plug ( <b>P054-006</b> ); Match Others to IT Equipment; 250+ Power Cord Options at <a href="http://tripplite.com">tripplite.com</a>
Network Cables	Match to IT Equipment; 1000+ Copper and Fiber Network Cable Options at <a href="http://tripplite.com">tripplite.com</a>
Patch Panels	60+ Copper and Fiber Patch Panel Options at <a href="http://tripplite.com">tripplite.com</a>
Additional Sensors	<b>E2MT</b> (Connect up to 3 sensors total per <b>WEBCARDLX</b> to monitor top/middle/bottom temperature.)

1111 W. 35th Street, Chicago, IL 60609 USA | +1.773.869.1212 | [tripplite.com](http://tripplite.com)



Powering and Connecting Your World