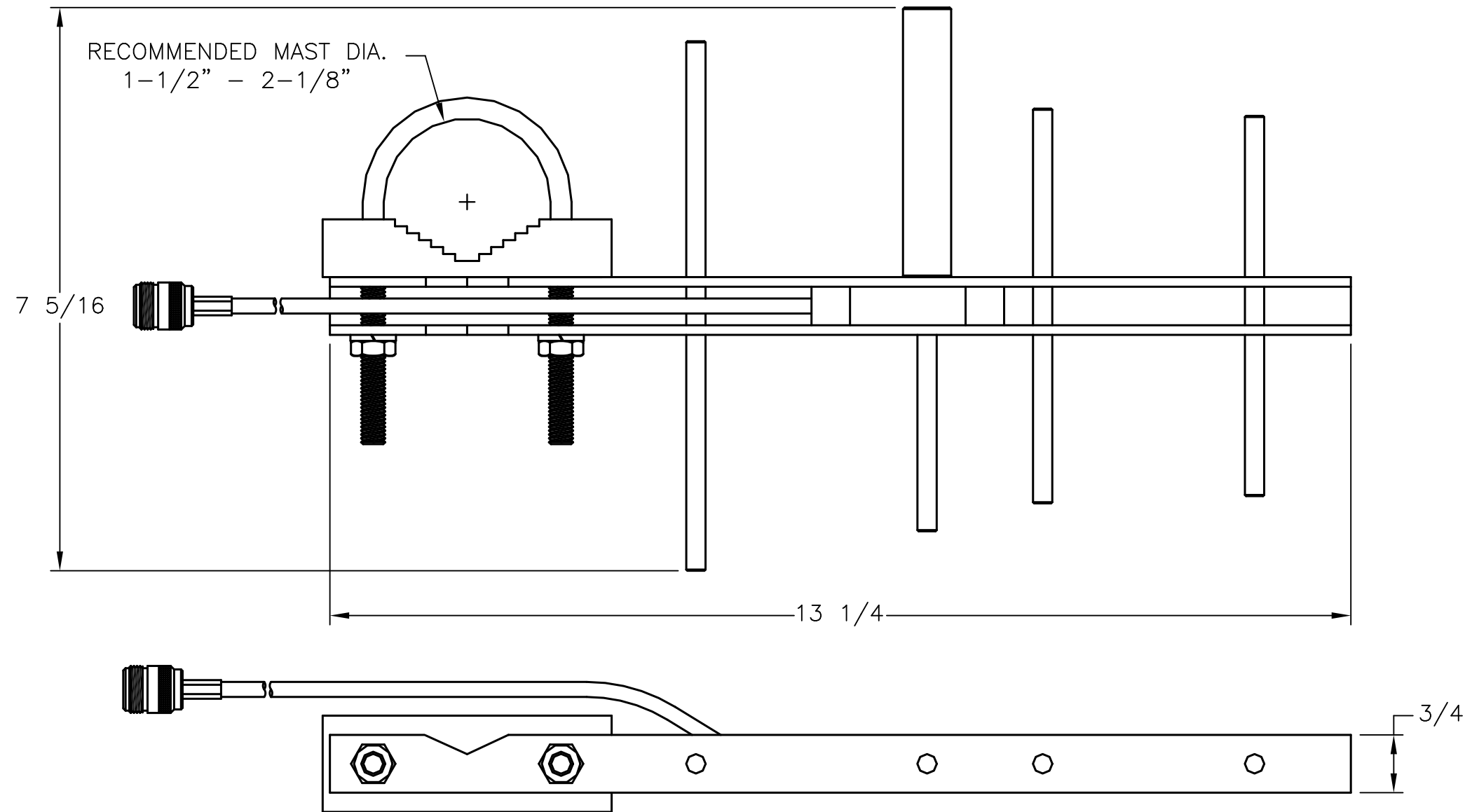


REVISION			
LTR	DESCRIPTION	DATE	INITIAL
AA	ORIGINAL	9-5-03	SWJ



Parameter	Performance
Model Number	PC904N
Frequency	896-980 MHz
Gain	6dBd
Polarization	Vertical
VSWR	1.5:1 Nominal
E-Plane 3 dB Beamwidth	70°
H-Plane 3 dB Beamwidth	100°
Front to Back Ratio	15dB
RF Connector	N (female)
Power	200W
Weight	1.12 lbs

MATERIAL:	DRAWN	DATE	
	S JOHNSON	9-5-03	
DO NOT SCALE DRAWING	ENGINEER	DATE	PC904N
	R LITTLEFIELD	9-5-03	
UNLESS OTHERWISE SPECIFIED TOLERANCES ARE:	ENGINEERING MGR	DATE	DRAWING NO. PC904N
	A ALEVY	9-5-03	
ANGLES ±2°	FINISH:		REV AA
FRACTIONS ±1/16"			SCALE 1:2
.XX ±0.030"			SIZE B
.XXX ±0.015"			SHEET 1 OF 1

THIS DRAWING IS UNPUBLISHED.	RELEASED FOR PUBLICATION
© Copyright 2022 TE Connectivity Ltd.	ALL RIGHTS RESERVED.