

Fig. 1

1. INTRODUCTION

This instruction sheet (IS) covers the use of AMP Removal Tool 91269-1 which is used to remove latches from AMP-LATCH* Universal Header Assemblies. Read these instructions thoroughly before using the removal tool.

NOTE

All dimensions on this instruction sheet are in inches.

2. DESCRIPTION (Figure 1)

The removal tool features a tool tip and a tapered handle. The tool tip releases the latch from the header assembly.

3. REMOVAL PROCEDURE (Figure 1)

Before starting, hold the tool with the end of the handle in the middle of your palm, with your index finger on the radius of the tool body. Proceed as follows:

1. Position removal tool as shown in Figure 1.
2. Insert tool tip into locking latch entry slots.
3. Making sure tool tip straddles locking latch, bottom the tool on top of header assembly.
4. Grasp locking latch with index finger and pull upward until locking latch and tool are removed from assembly.

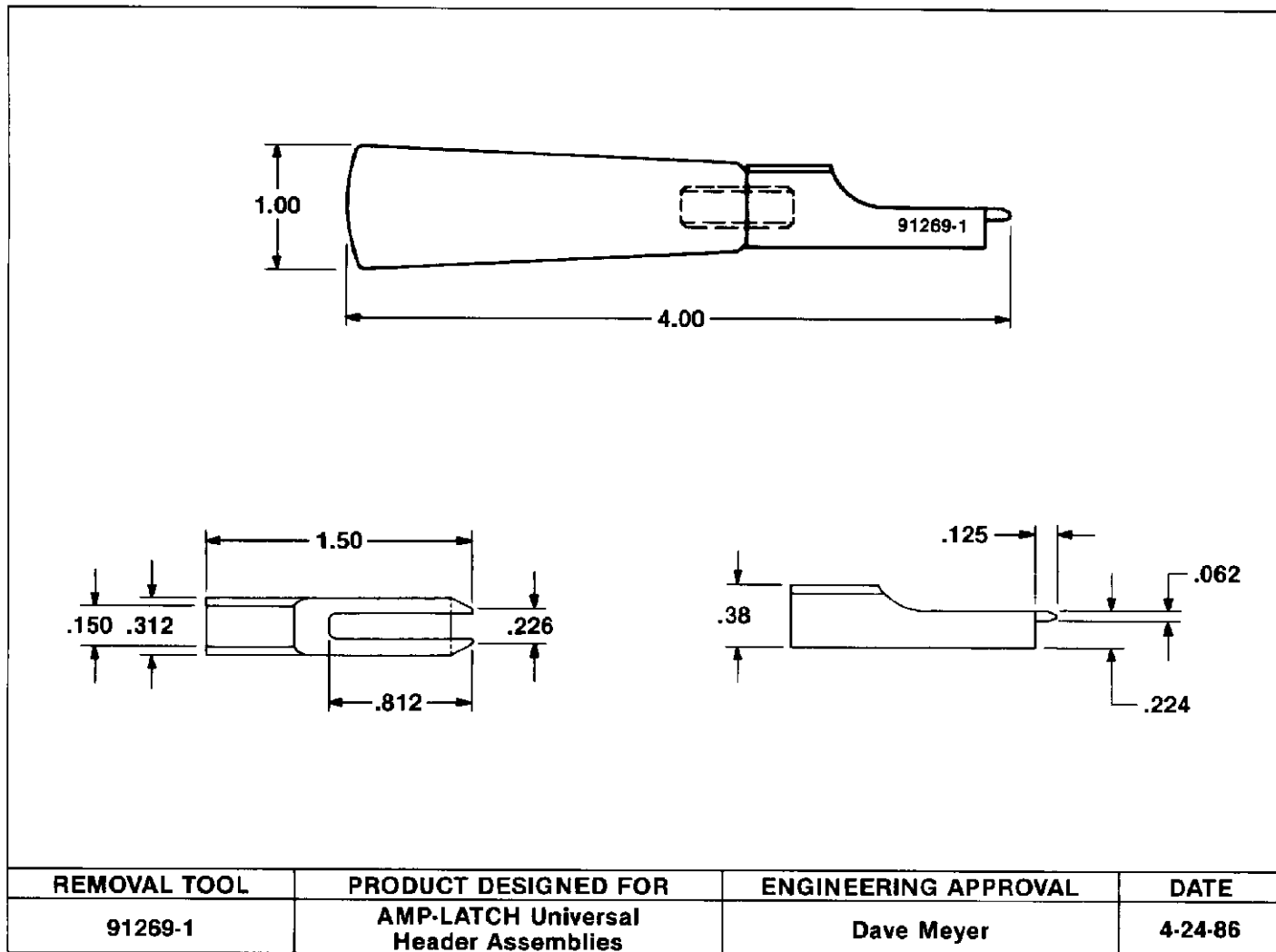


Fig. 2

4. CERTIFICATION (Figure 2)

AMP Removal Tool 91269-1 should be certified with the information provided in Figure 2. It is recommended that each removal tool be inspected immediately upon its arrival at your facility, and at

regularly scheduled intervals, to ensure that the tool has not been damaged during handling.

Additional removal tools can be purchased from:

AMP Incorporated
 P.O. Box 3608
 Harrisburg, PA 17105-3608