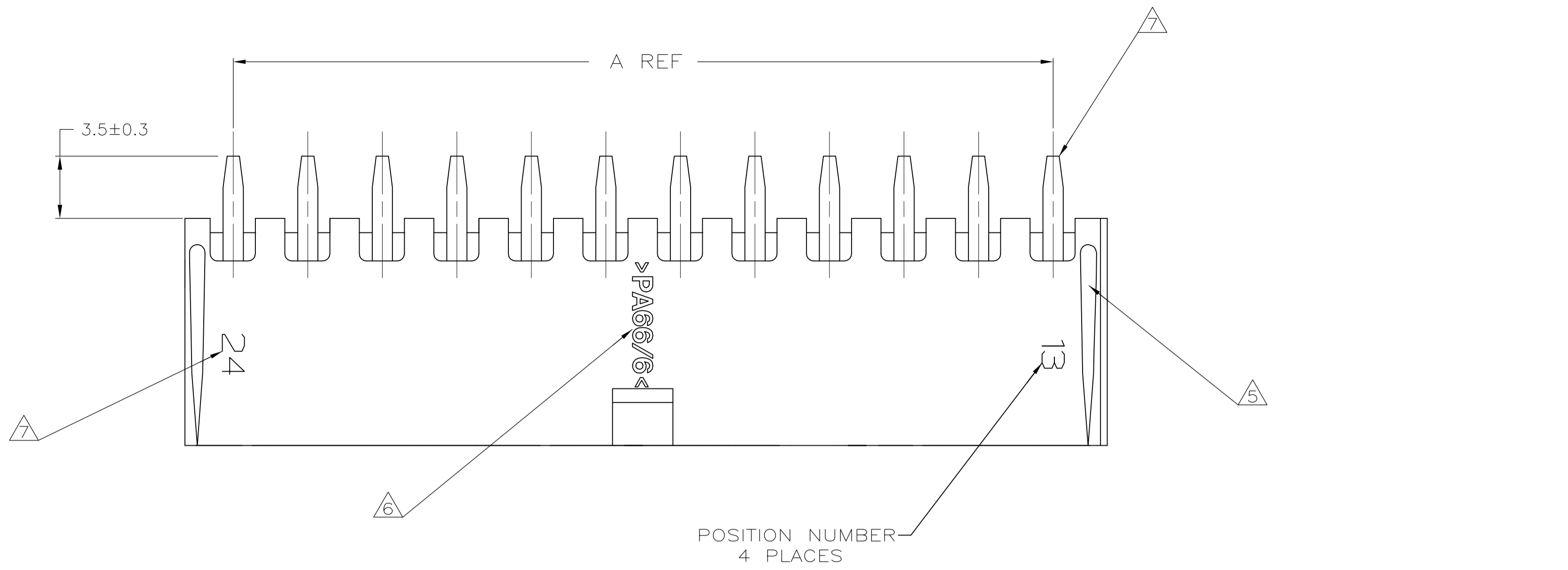
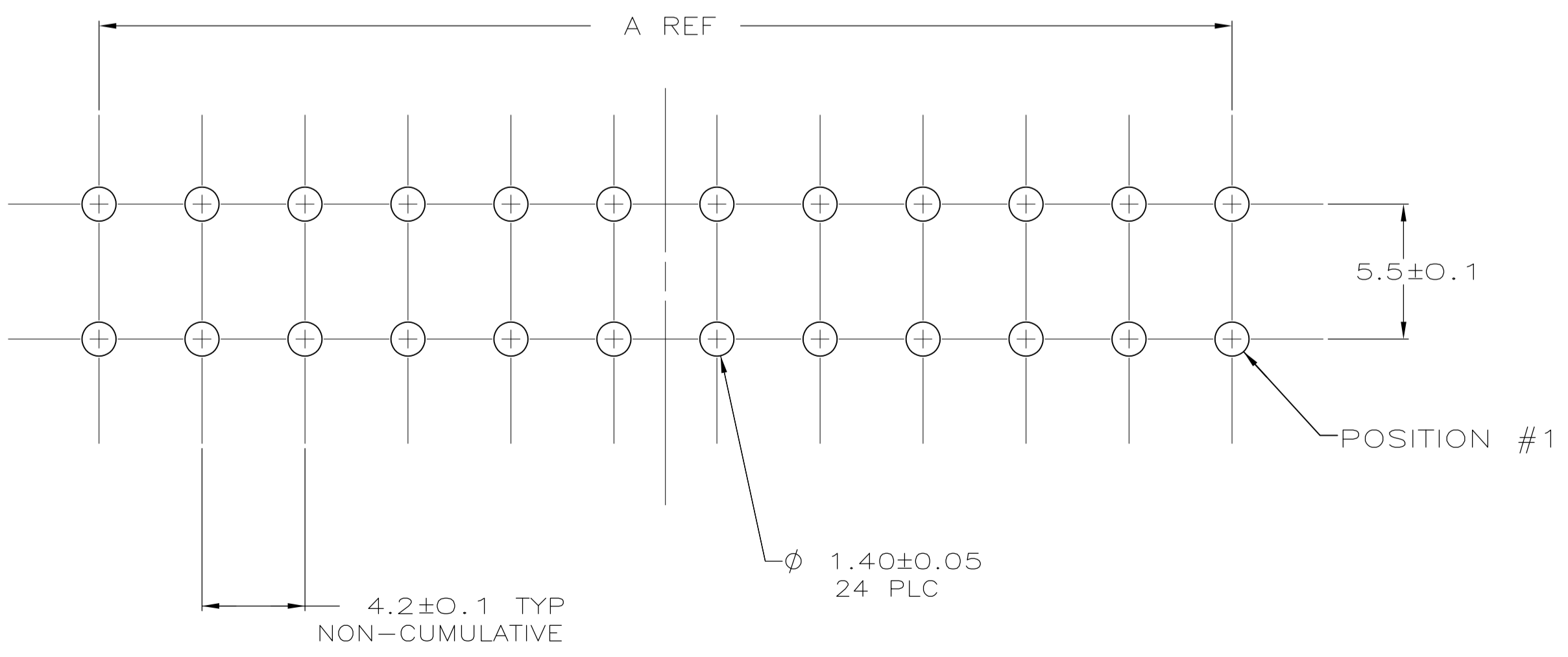
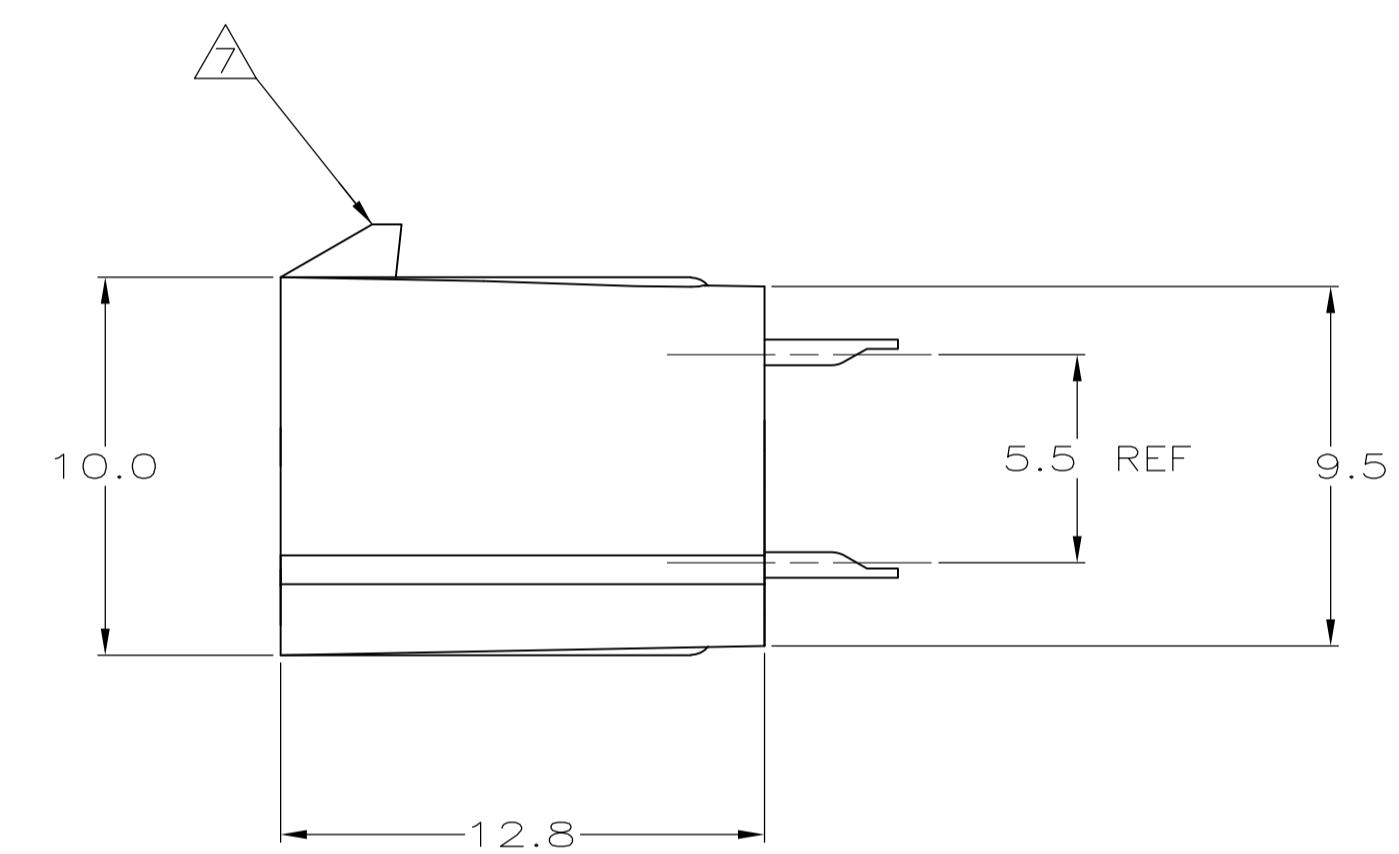
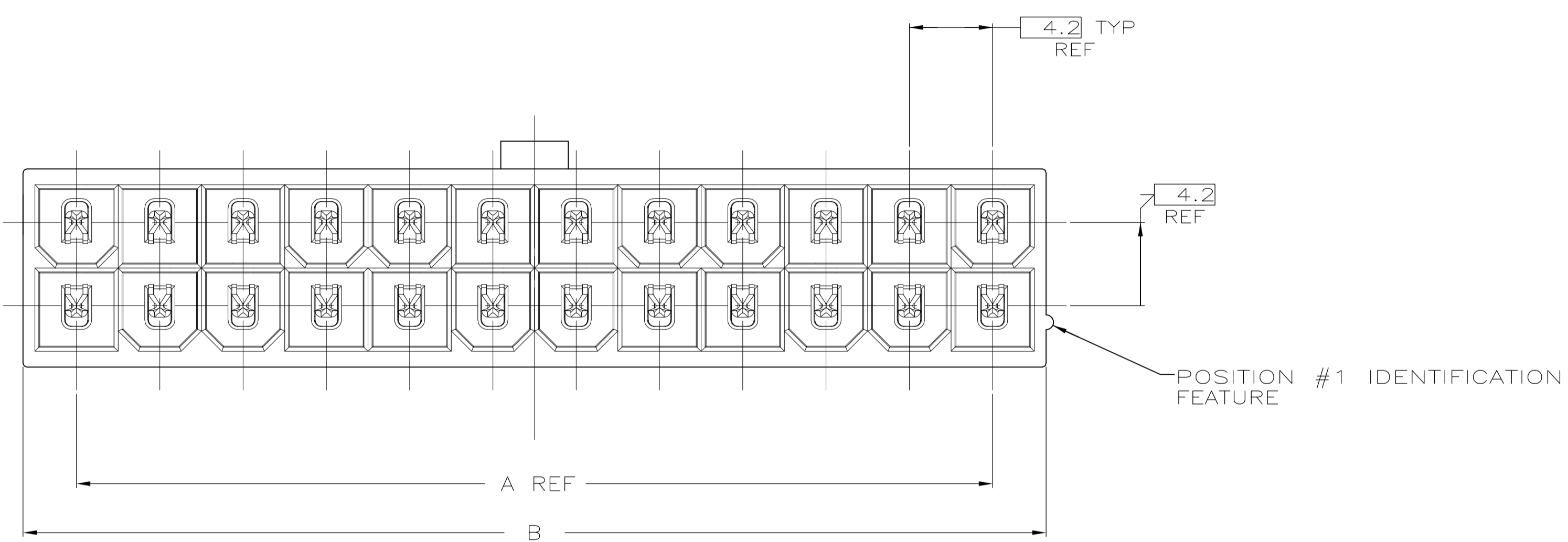


| LOC | | DIST | | REVISIONS | | | |
|-----|-----|---------------------------|---------|-----------|------|--|--|
| P | LTR | DESCRIPTION | DATE | DMN | APVD | | |
| 0 | | REVISED PER 0G3B-1111-04 | 21JUN05 | KW | DC | | |
| 01 | | REVISED PER ECO-09-024927 | 06NOV09 | KK | AEG | | |



- △ MATERIAL: HOUSING - NYLON, UL94V-0 (COLOR - WHITE, COLOR OF PARTS MAY VARY).
CONTACTS - 0.25 THK COPPER ALLOY.
- △ CONTACT FINISH: 0.00076 MIN THK GOLD PLATE ON PIN MATING SURFACE, 0.003 MIN THK TIN PLATE ON SOLDER TAIL, ALL OVER 0.00127 MIN THK NICKEL BASE PLATE.
- 3. SOLDER TAIL MEETS AMP SOLDERABILITY SPECIFICATION 109-11-2.
- 4. MATES WITH SIMILARLY PLATED AMP-DUAC™ POWER CONNECTOR RECEPTACLE HOUSINGS/SOCKET CONTACTS.
- △ RIBS ON FOUR CORNERS OPTIONAL.
- △ AMP LOGO AND MATERIAL ID MAY BE LOCATED ON EITHER LONG SIDE OF PART.
- △ SIZE, SHAPE OR STYLE OF THIS FEATURE MAY VARY.
- △ OBSOLETE PARTS: OBSOLETE CIS STREAMLINING PER D.RENAUD/D.SINISI



RECOMMENDED MOUNTING HOLE PATTERN FOR 1.78 MAX THICK P.C. BOARD COMPONENT SIDE SHOWN

| | | | | |
|------------|------|------|------------------|-------------|
| | 51.6 | 46.2 | 24 | 2-1586496-4 |
| OBSOLETE △ | 47.4 | 42.0 | 22 | 2-1586496-2 |
| | 43.2 | 37.8 | 20 | 2-1586496-0 |
| OBSOLETE △ | 39.0 | 33.6 | 18 | 1-1586496-8 |
| | 34.8 | 29.4 | 16 | 1-1586496-6 |
| OBSOLETE △ | 30.6 | 25.2 | 14 | 1-1586496-4 |
| | 26.4 | 21.0 | 12 | 1-1586496-2 |
| OBSOLETE △ | 22.2 | 16.8 | 10 | 1-1586496-0 |
| | 18.0 | 12.6 | 8 | 1586496-8 |
| | 13.8 | 8.4 | 6 | 1586496-6 |
| | 9.6 | 4.2 | 4 | 1586496-4 |
| | 5.4 | 0.0 | 2 | 1586496-2 |
| | B | A | NO. OF POSITIONS | PART NO |

THIS DRAWING IS A CONTROLLED DOCUMENT.

| | | | | | |
|----------------|--|---------------------------|-------------------------|---|------------------------------|
| DIMENSIONS: mm | TOLERANCES UNLESS OTHERWISE SPECIFIED: | DIN K. WHITAKER 21JUN2005 | APVD D. COLEY 21JUN2005 | NAME D. COLEY | TYCO ELECTRONICS CORPORATION |
| 0 PLC ± - | 1 PLC ± 0.2 | 21JUN2005 | 21JUN2005 | 108-1699 | Harrisburg, Pa 17105-3608 |
| 2 PLC ± 0.13 | 3 PLC ± - | | | ASSEMBLY, HEADER, VERTICAL, GOLD PLATED, W/O PEGS, W/O DRAIN HOLES, 94V-0, AMP-DUAC | |
| 4 PLC ± - | ANGLES ± 0°30' | | | 108-1699 | |
| MATERIAL 1 | FINISH 2 | WEIGHT - | SCALE 5:1 | RESTRICTED TO | |
| | | CUSTOMER DRAWING | SIZE A1 | DRAWING NO. 00779 | DRAWING NO. 1586496 |
| | | | SHEET 1 OF 1 | REV 01 | |

