

THE INFORMATION CONTAINED HEREIN IS CONSIDERED "PROPRIETARY" TO BEL FUSE INC. AND SHALL NOT BE COPIED, REPRODUCED OR DISCLOSED WITHOUT THE WRITTEN APPROVAL OF BEL FUSE INC.

LED1 POLARITY			LED2 POLARITY		
PIN 21	PIN 22	COLOR	PIN 19	PIN 20	COLOR
+	-	GREEN	+	-	YELLOW

RoHS  
2002/95/EC



**ELECTRICAL CHARACTERISTICS @ 25°C**

**URNS RATIO**

TX	1CT : 1CT ±3%
RX	1CT : 1CT ±3%
OC L @ 100kHz, 100mVRMS	350µH MIN
8mA DC BIAS	
INS. LOSS	-1.1 dB MAX
100kHz TO 100MHz	
RET. LOSS	-18 dB MIN
1MHz-30MHz	
30MHz-80MHz	-12 dB MIN
CM TO CM REJ	-30 dB Min
100kHz - 100MHz	
CM TO DM REJ	-35 dB Min
100kHz - 100MHz	
CROSS TALK	-30 dB Min
1MHz - 100MHz	
HIPOT (Isolation Voltage)	1500 Vrms or 2250VDC
LEAKAGE INDUCTANCE	
PRIMARY W/ SECONDARY	0.3µH Max. @ 1MHz
INTERWINDING CAPACITANCE	
PER CHANNEL (PRI. TO SEC.)	30pF Max @ 1MHz
DC RESISTANCE	
(RJ1-RJ2)=(RJ3-RJ6)	1.4 ohms Max

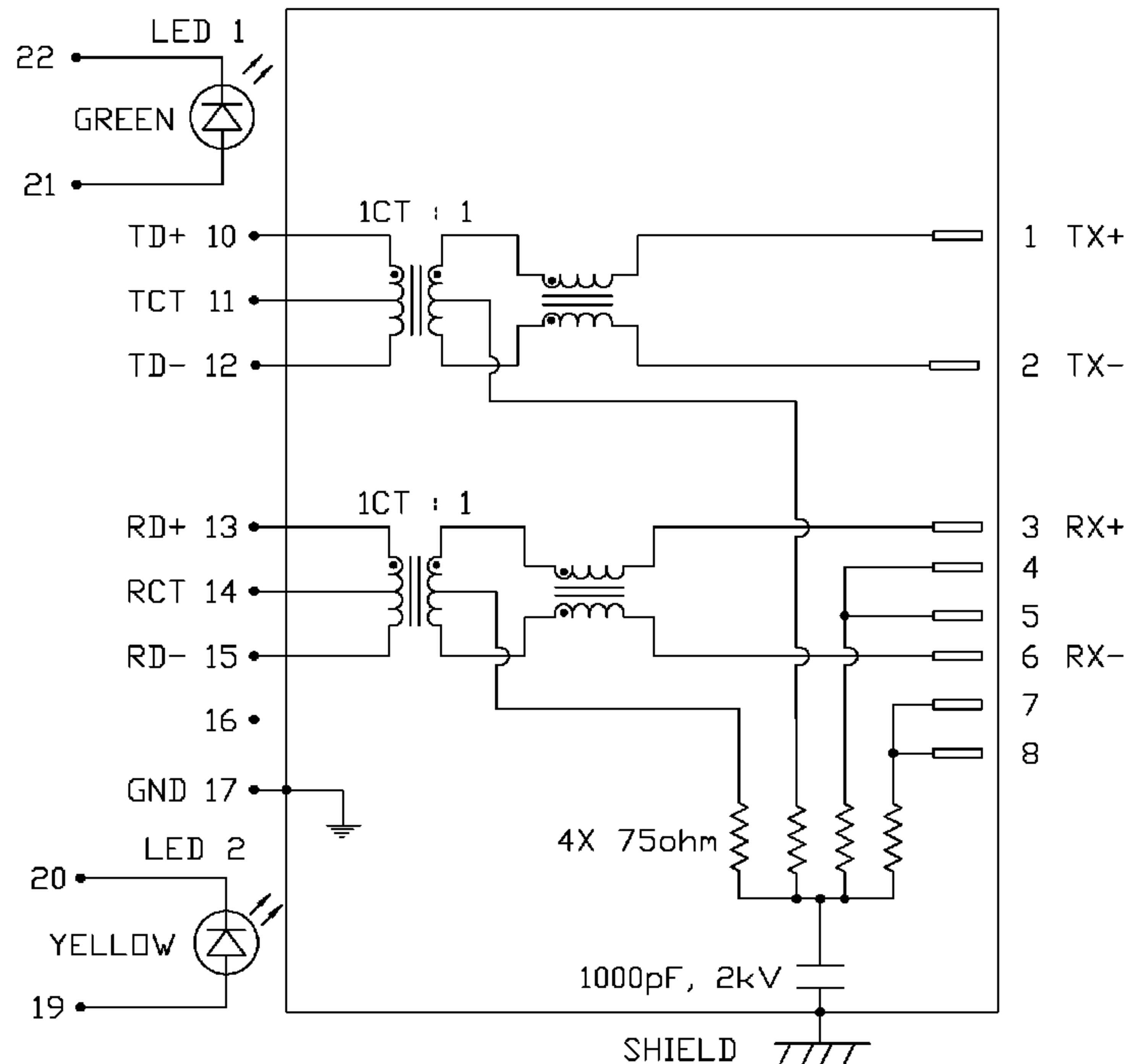
<b>LED 1</b>				
V <sub>F</sub> (FORWARD VOLTAGE)	I <sub>F</sub> =20mA	GREEN	2.2V TYP.	
λ <sub>D</sub> (DOMINANT WAVELENGTH)	I <sub>F</sub> =20mA	GREEN	565nm TYP.	

<b>LED 2</b>				
V <sub>F</sub> (FORWARD VOLTAGE)	I <sub>F</sub> =20mA	YELLOW	2.1V TYP.	
λ <sub>D</sub> (DOMINANT WAVELENGTH)	I <sub>F</sub> =20mA	YELLOW	590nm TYP.	

**USB ELECTRICAL:**

INSULATION RESISTANCE:	1000 MEGA Ω (MIN)
CONTACT RESISTANCE:	25 MILLI Ω (MAX)
DIELECTRIC WITHSTANDING:	750 VAC

**SCHEMATIC**



ORIGINATED BY	DATE	TITLE	PART NO. / DRAWING NO.	STANDARD DIM. TOL. IN INCH	[ ] METRIC DIM. AS REFERENCE
CHUNG	04-12-06	MagJack® Combo	C893-1DX1-E5	.X	UNIT : INCH [mm] REV. : B
DRAWN BY	DATE	(Staggered pin)	FILE NAME	.XX	SCALE : N/A SIZE : A4
DE	04-12-06		C8931DX1E5B.DWG	.XXX	PAGE : 2

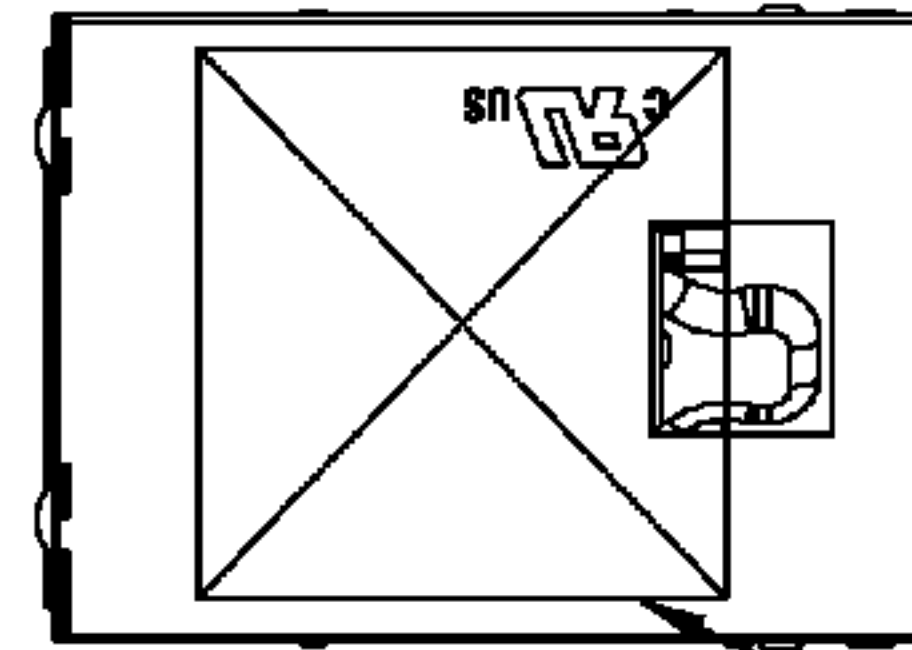


THE INFORMATION CONTAINED HEREIN IS CONSIDERED "PROPRIETARY" TO BEL FUSE INC. AND SHALL NOT BE COPIED, REPRODUCED OR DISCLOSED WITHOUT THE WRITTEN APPROVAL OF BEL FUSE INC.

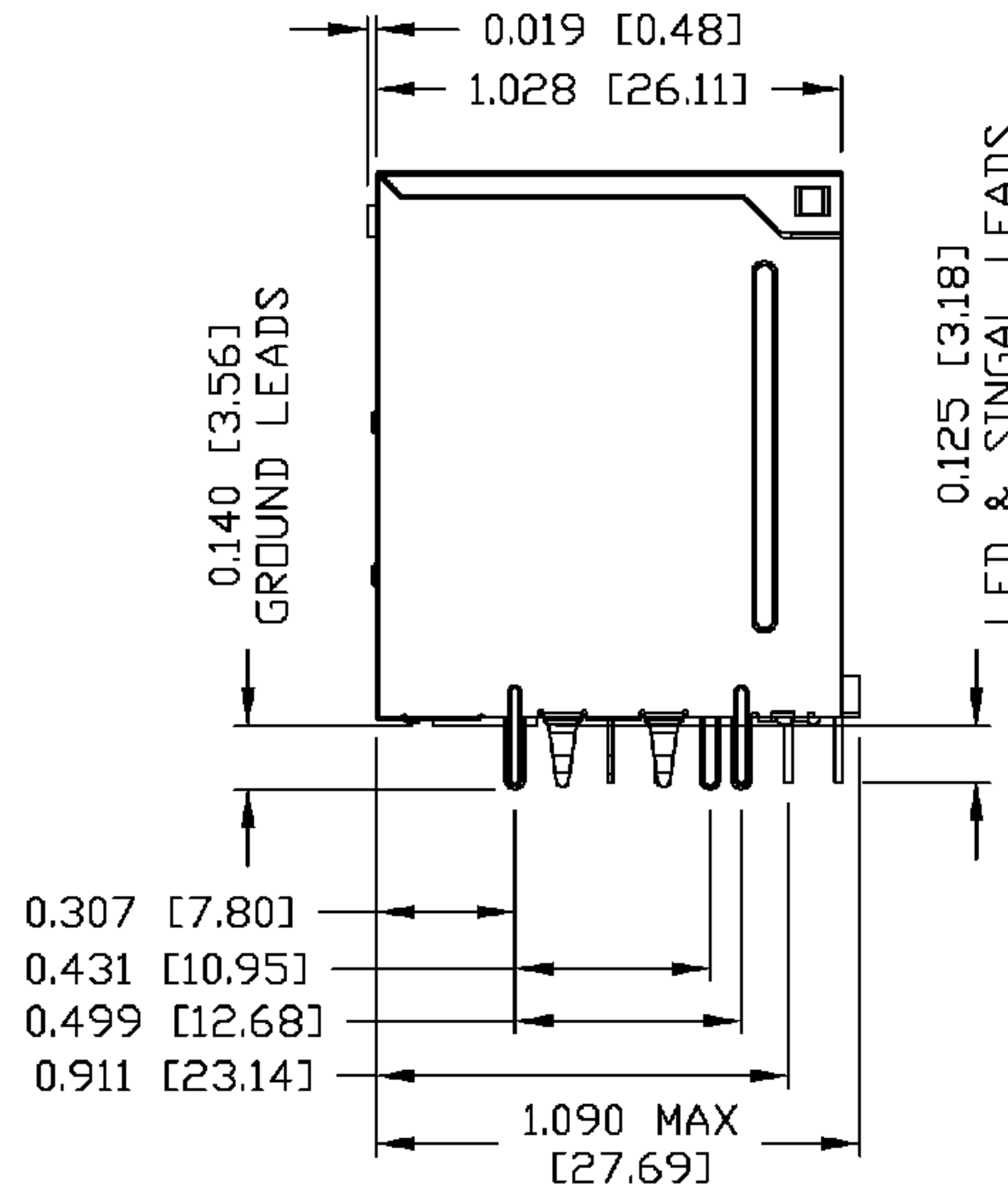
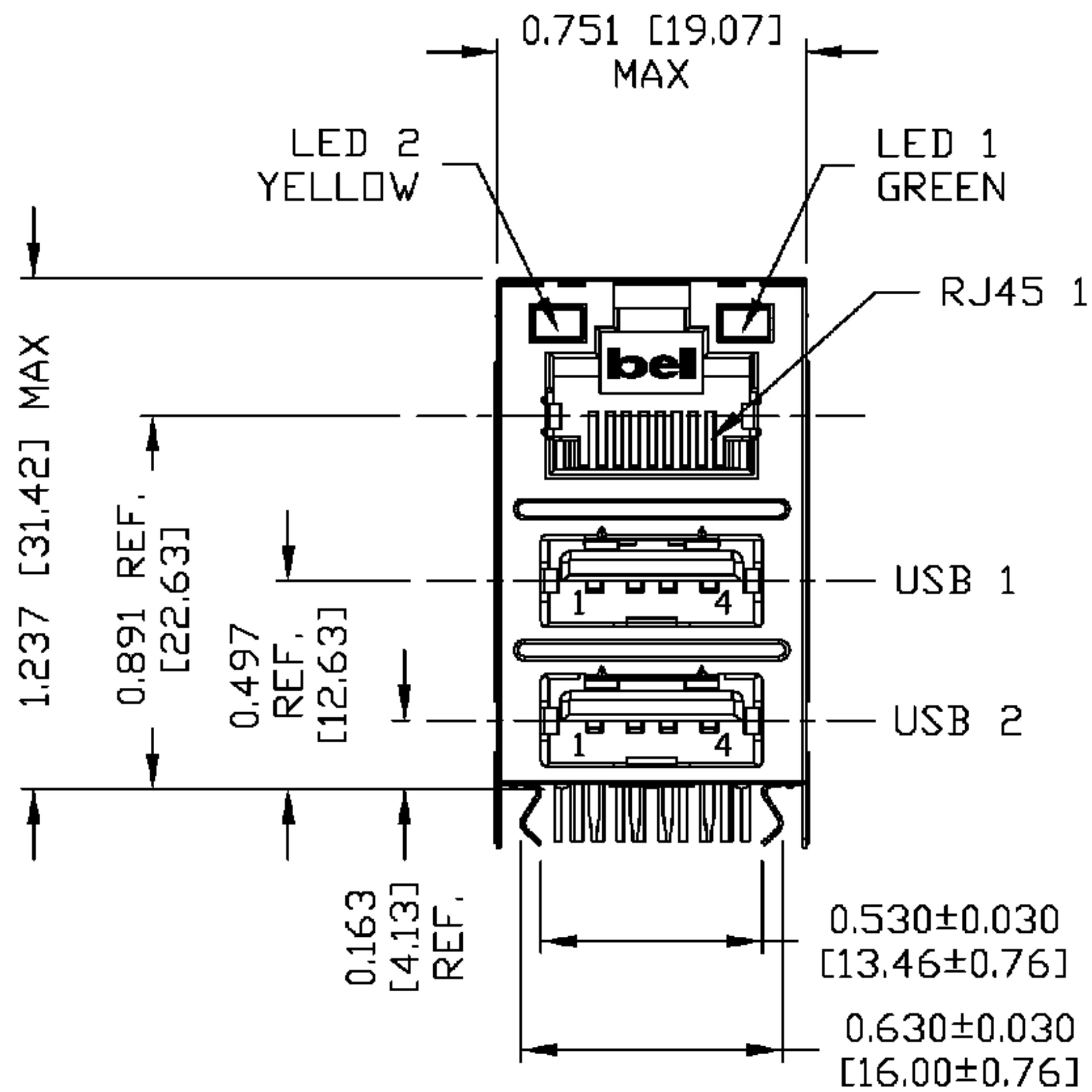
RoHS  
2002/95/EC



MECHANICAL SPECIFICATION



1



ORIGINATED BY QIN	DATE 04-12-06	TITLE MagJack® Combo (Staggered pin)	PART NO. / DRAWING NO. C893-1DX1-E5	STANDARD DIM. TOL. IN INCH	[ ] METRIC DIM. AS REFERENCE	
DRAWN BY TING	DATE 04-12-06		FILE NAME C8931DX1E5B.DWG	.X .XX .XXX	±0.010	UNIT : INCH [mm]
					SCALE : N/A	SIZE : A4
						PAGE : 3

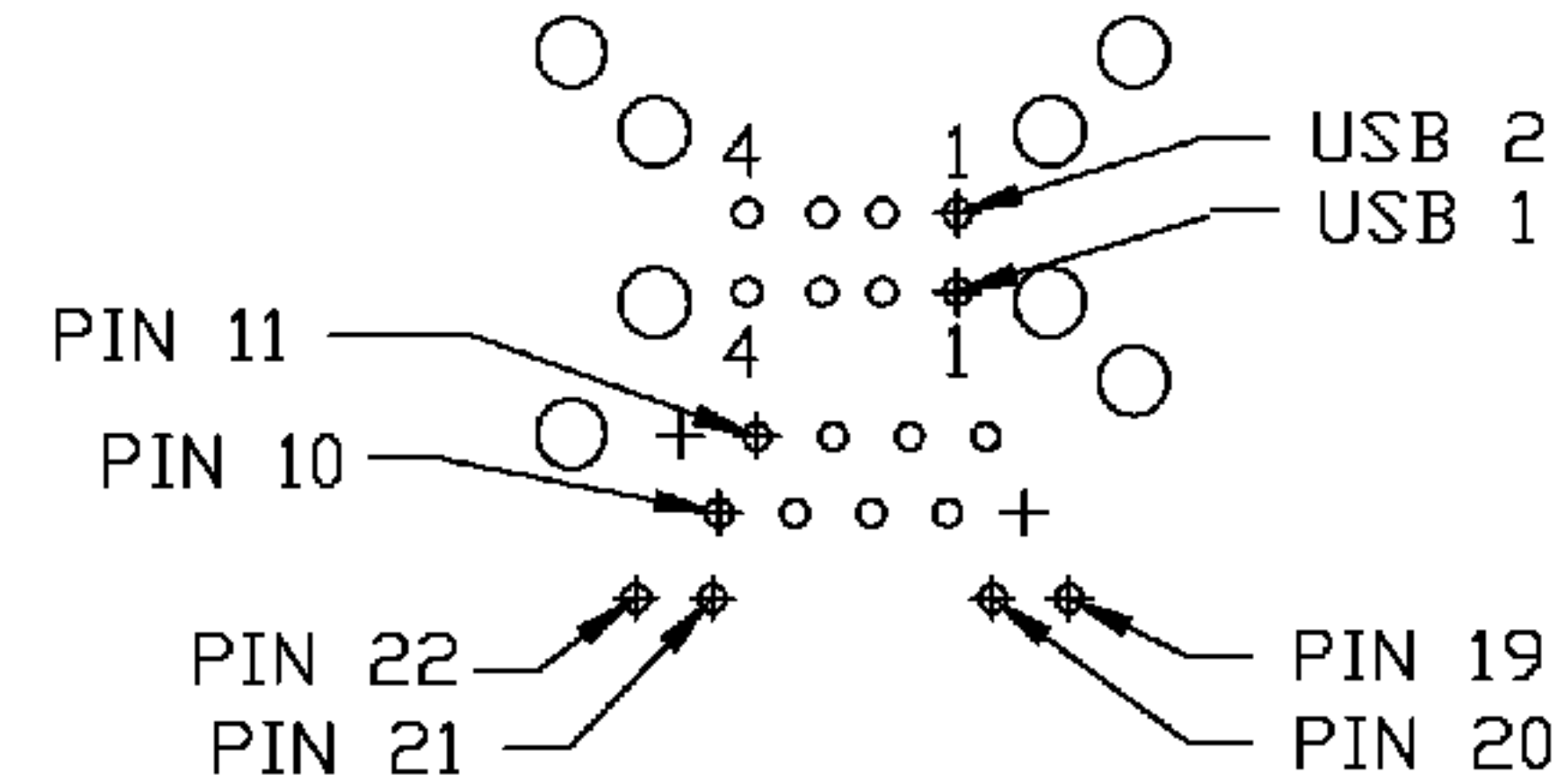
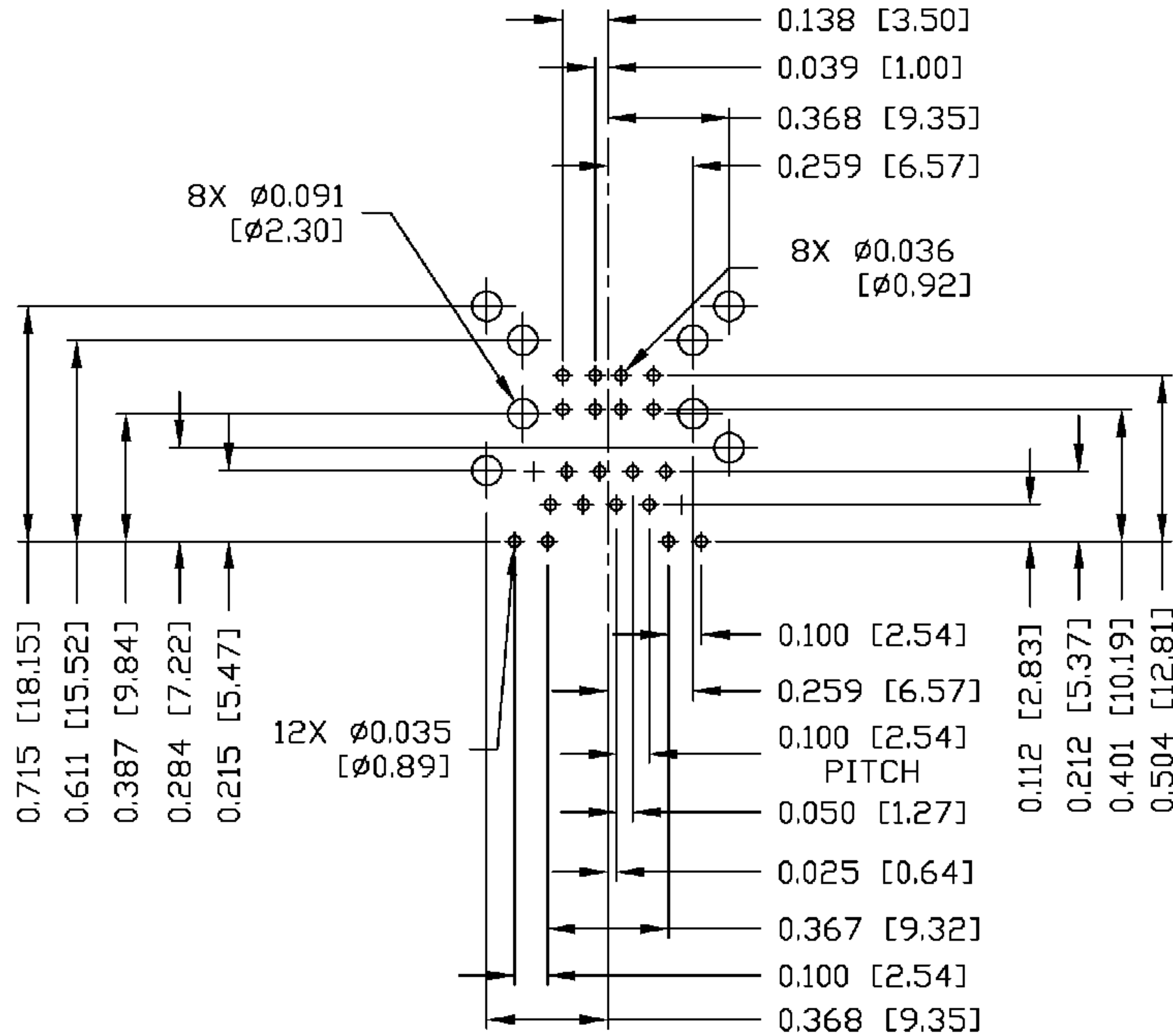


THE INFORMATION CONTAINED HEREIN IS CONSIDERED "PROPRIETARY" TO BEL FUSE INC. AND SHALL NOT BE COPIED, REPRODUCED OR DISCLOSED WITHOUT THE WRITTEN APPROVAL OF BEL FUSE INC.

RoHS  
2002/95/EC



Recommended PCB footprint  
Component Side



RJ45 MECHANICAL:

PLASTIC HOUSING:

CONTACTS PLATING:

PINS:

METAL SHIELD:

USB MECHANICAL:

MATING FORCE:

UNMATING FORCE:

CONTACTS:

THERMOPLASTIC PBT  
FLAMMABILITY RATING UL 94V-0  
50 MICRO-INCH HARD GOLD PLATING  
TIN-COATED CP WIRE, DIA 0.018 INCH.  
NICKEL PLATED ON COPPER ALLOY.  
(ALL GROUND LEADS ARE SOLDER DIPPED)

35 NEWTONS MAXIMUM  
10 NEWTONS MINIMUM  
PHOSPHOR BRONZE  
30 MICRO-INCH GOLD PLATING ON CONTACT AREA AND TIN ON SOLDER TAIL.

1. MARK PART WITH MFG LOGO, MFG NAME, PART NUMBER, AND DATE CODE.

UL RECOGNIZED - FILE #E196366 AND E169987.

RoHS COMPLIANCE, PER EU DIRECTIVE 2002/95/EC.

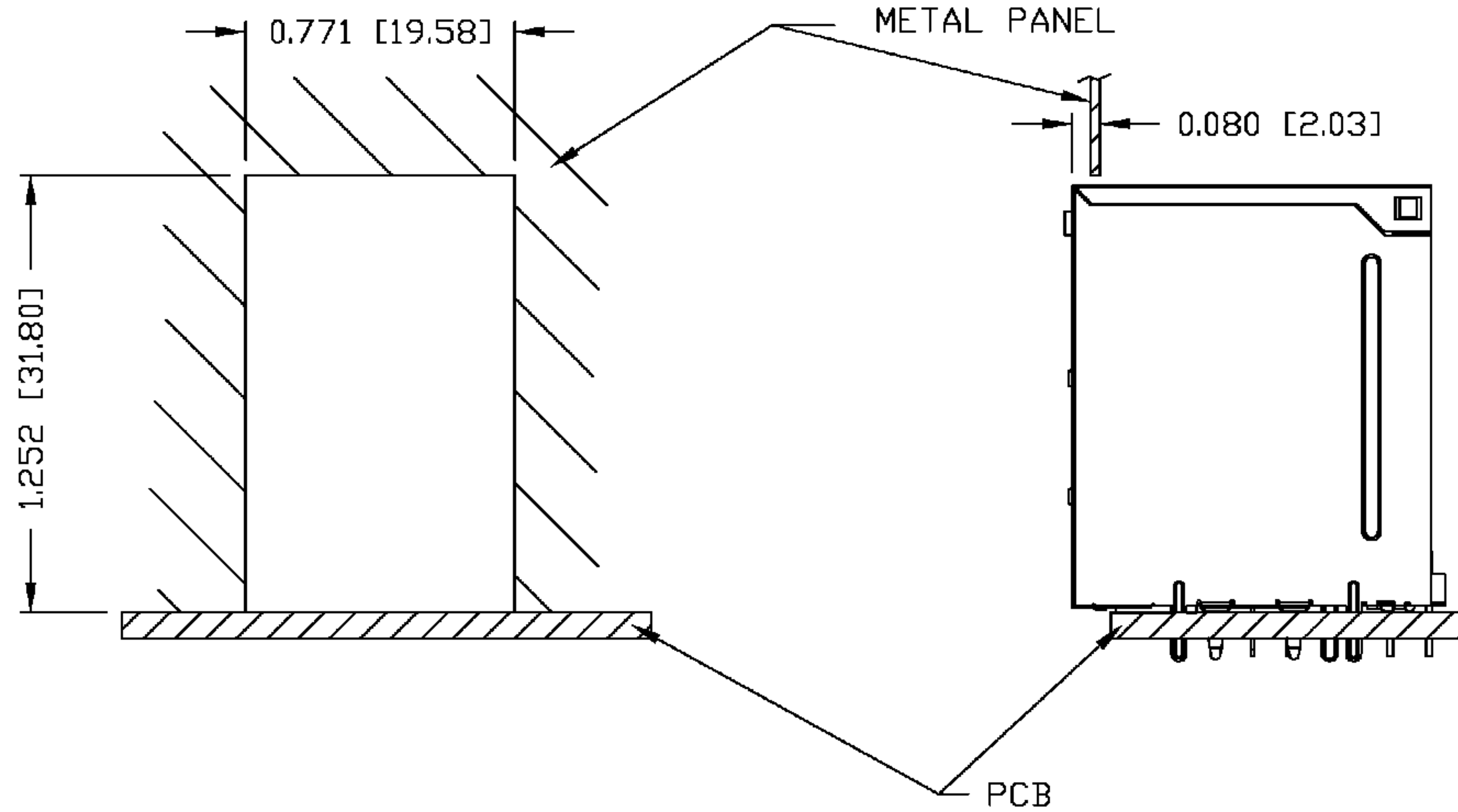
JACK CAVITY CONFORMS TO FCC RULES AND REGULATIONS.

ORIGINATED BY QIN	DATE 04-12-06	TITLE MagJack® Combo (Staggered pin)	PART NO. / DRAWING NO. C893-1DX1-E5	STANDARD DIM. TOL. IN INCH	[ ] METRIC DIM. AS REFERENCE	 COMPONENTS FOR A CONNECTED PLANET
DRAWN BY TING	DATE 04-12-06		FILE NAME C8931DX1E5B.DWG	.X	UNIT : INCH [mm]	
				.XX	SCALE : N/A	
				.XXX ±0.004	REV. : B SIZE : A4 PAGE : 4	

THE INFORMATION CONTAINED HEREIN IS CONSIDERED "PROPRIETARY" TO BEL FUSE INC. AND SHALL NOT BE COPIED, REPRODUCED OR DISCLOSED WITHOUT THE WRITTEN APPROVAL OF BEL FUSE INC.



SUGGESTED PANEL OPENING



NOTE:

THE DISTANCE OF PANEL INSIDE SURFACE RELATIVE TO FRONT SURFACE OF PART IS ONLY A SUGGESTION. IN CASE THIS DISTANCE IS DIFFERENT, THE REQUIRED PANEL OPENING DIMENSIONS CHANGE ACCORDINGLY.

PACKING INFORMATION

PACKING TRAY : 0200-9999-H3 (TOP)  
0200-9999-H4 (BOTTOM)

PACKING QUANTITY : 35 PCS FINISHED GOODS PER TRAY  
9 TRAYS (315 PCS FINISHED GOODS) PER CARTON BOX

NOTE : CARDBOARDS ARE PLACED BETWEEN LAYERS OF PACKING TRAY INSIDE CARTON BOX  
(INCLUDE THE UPPERMOST AND LOWERMOST TRAY)

ORIGINATED BY QIN	DATE 04-12-06	TITLE MagJack® Combo (Staggered pin)	PART NO. / DRAWING NO. C893-1DX1-E5	STANDARD DIM. TOL. IN INCH	[ ] METRIC DIM. AS REFERENCE	
	DRAWN BY TING		DATE 04-12-06	FILE NAME C8931DX1E5B.DWG	.X	UNIT : INCH [mm]
				.XX	SCALE : N/A	SIZE : A4
				.XXX ±0.004		PAGE : 5

