

MATERIALS AND FINISHES:

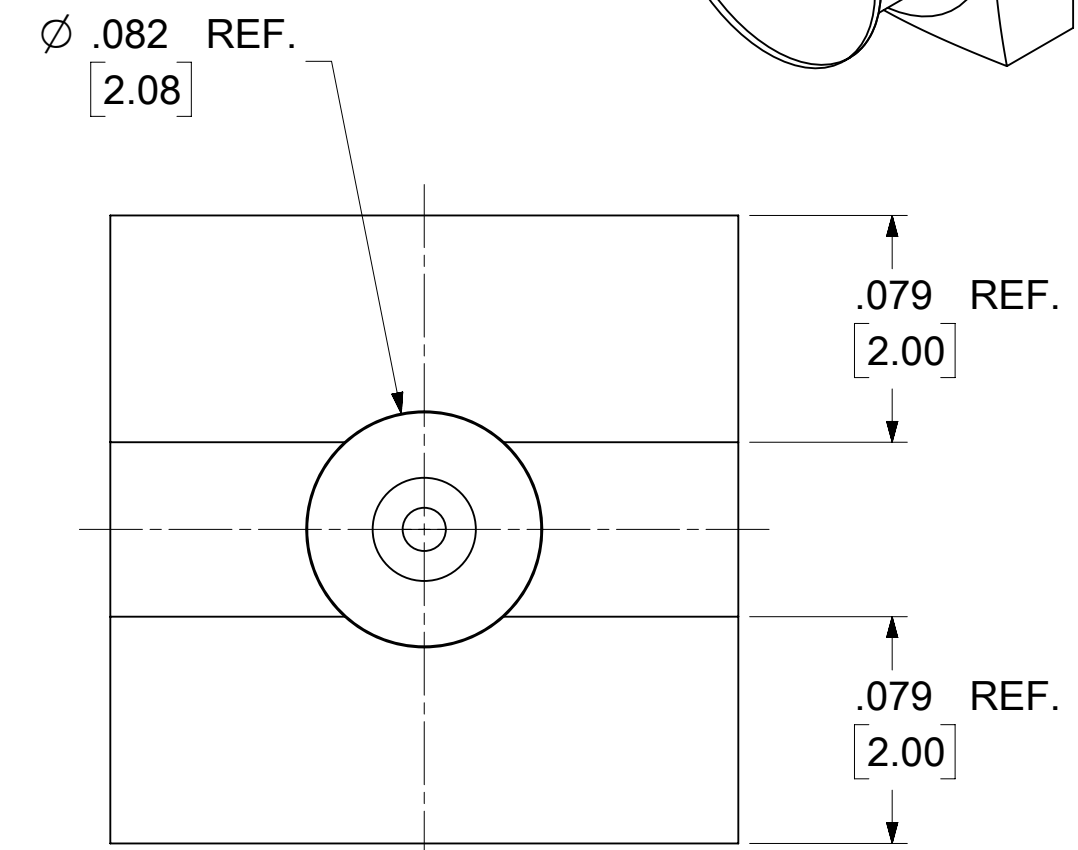
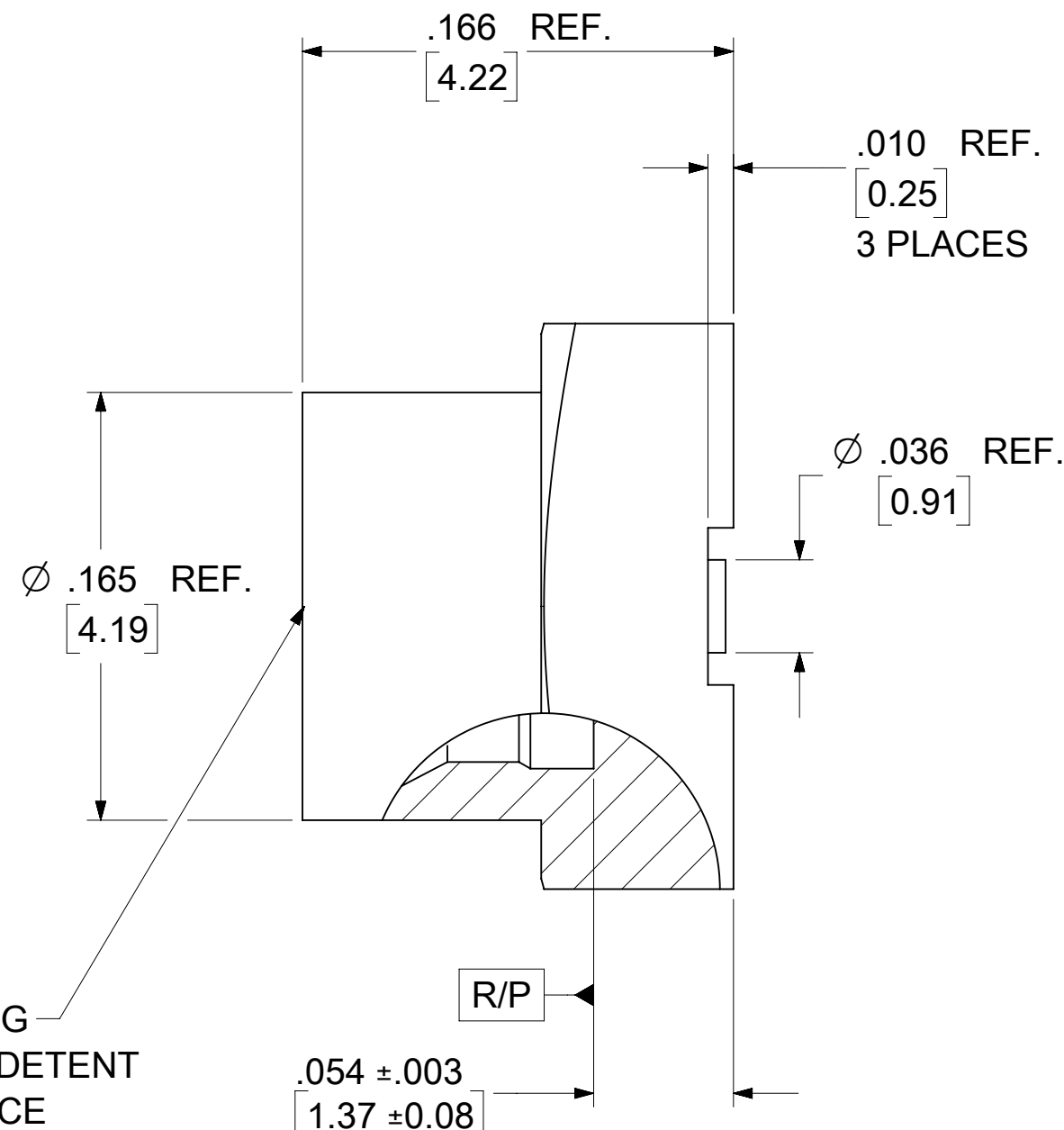
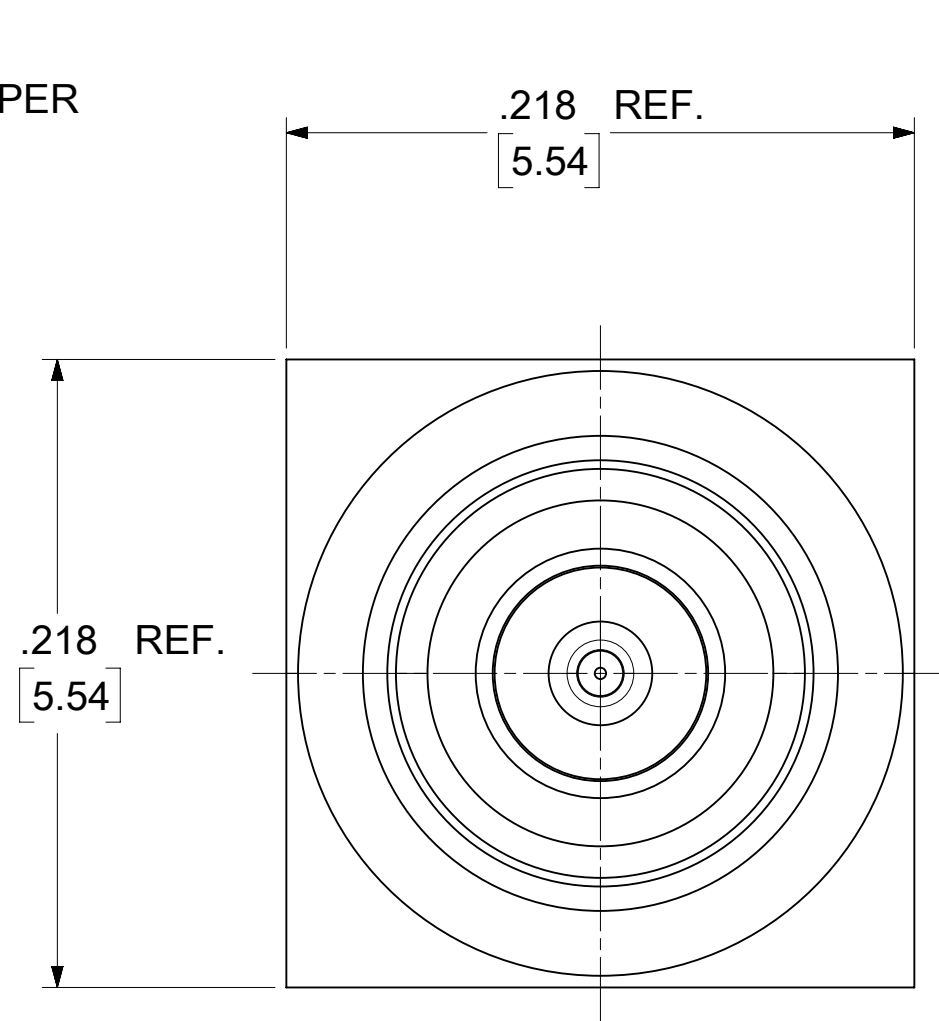
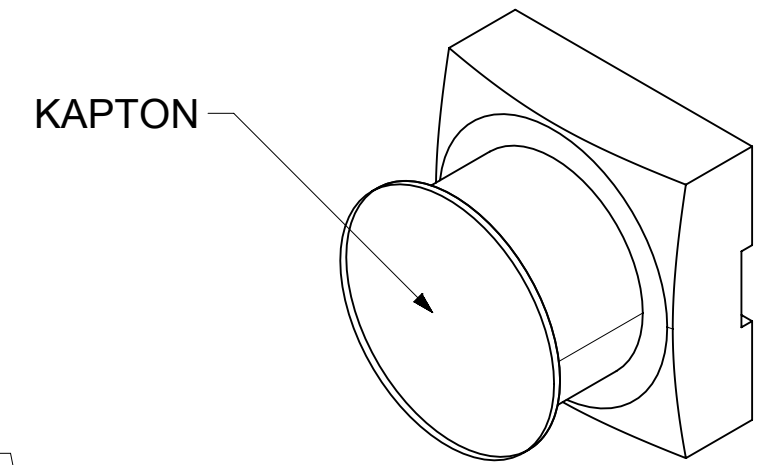
BODY: BRASS
 PLATED: GOLD (10μ-in MIN)
 OVER NICKEL (100μ-in MIN)

CENTER CONTACT: BERYLLIUM COPPER
 PLATED: GOLD (30μ-in MIN)
 OVER NICKEL (100μ-in MIN)

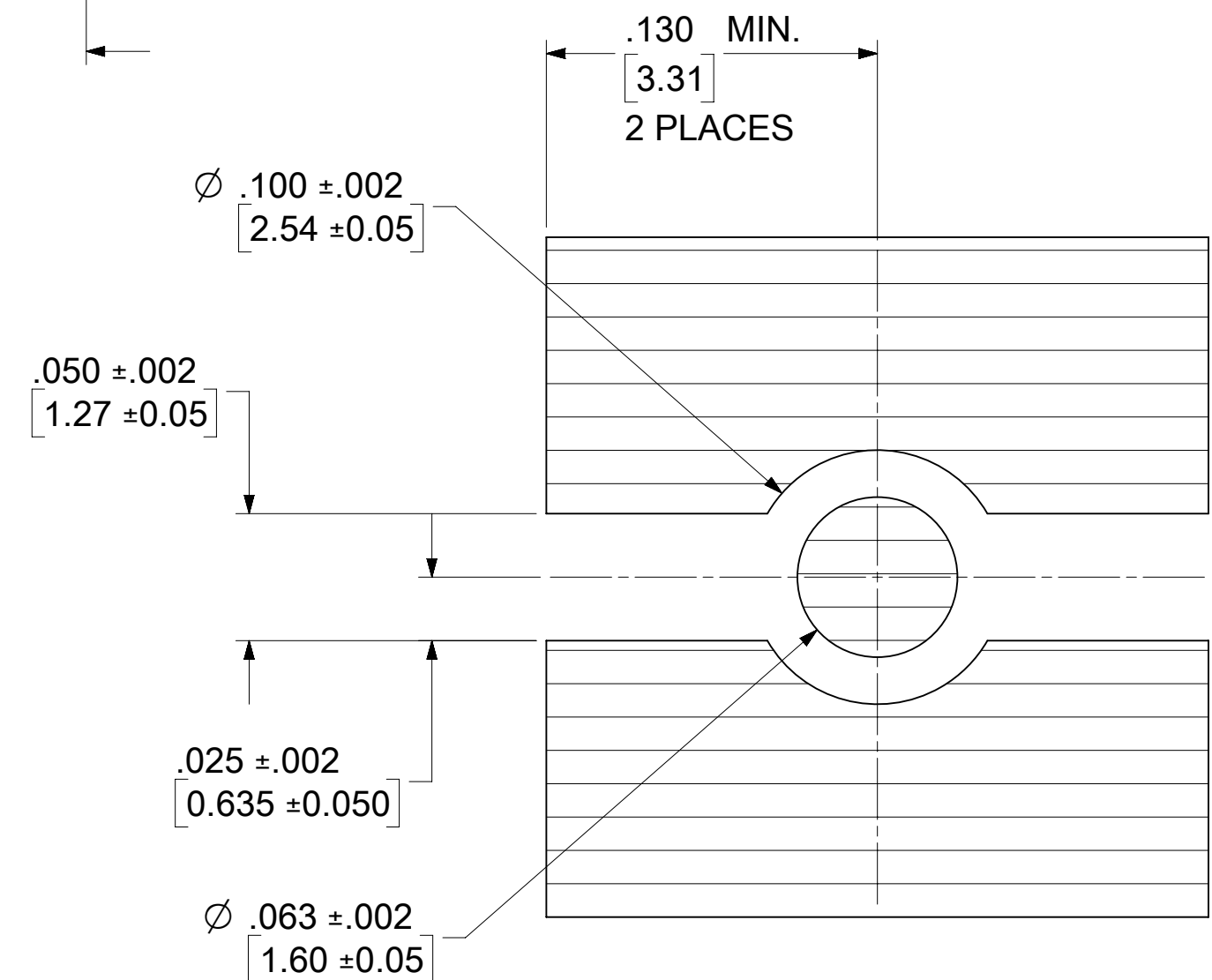
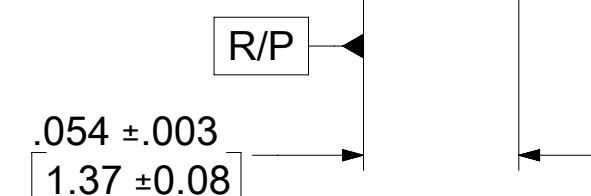
INSULATOR: PTFE

KAPTON: POLYIMIDE
 COLOR: BLACK

SEE SHEETS 2 & 3 FOR PACKAGING
 INSTRUCTIONS)



SMP PLUG
 LIMITED DETENT
 INTERFACE



RECOMMENDED PCB LAYOUT

LABEL FORMAT FOR
 73415-5011

PART NUMBER: 73415-5010
 ORDER NUMBER: 73415-5011
 MOLEX
 DATE: YYWW

73415-5011	73415-5010 ONE PER BAG	895420470
73415-5010	TAPE AND REEL	SEE SHEET 2 & 3
PART NO.	DESCRIPTION	PACKING SPEC

PS-89675-3320	PRODUCT SPECIFICATION
MIL-STD-348B, FIG. 326.3	INTERFACE SMP LD
SPECIFICATION	DESCRIPTION

DOCUMENT STATUS	P1	RELEASE DATE	2022/08/29	03:27:21
-----------------	----	--------------	------------	----------

FUNCTIONAL SYMBOLS $\nabla_A = 0$ $\nabla_C = 0$ $\nabla_P = 0$	THIS DRAWING CONTAINS INFORMATION THAT IS PROPRIETARY TO MOLEX ELECTRONIC TECHNOLOGIES, LLC AND SHOULD NOT BE USED WITHOUT WRITTEN PERMISSION		CURRENT REV DESC: ADD 73415-5011 PER EWR# 15321-C	
	DIMENSION UNITS	SCALE	EC NO: 719080	
	INCH/MM	NTS	DRWN: ELIN	2022/08/24
	GENERAL TOLERANCES (UNLESS SPECIFIED)		CHK'D: YCHENG	2022/08/29
ANGULAR TOL ± 0.5°		APPR: YCHENG	2022/08/29	
DIVISIONAL SYMBOLS $\nabla_A = 0$ $\nabla_C = 0$ $\nabla_P = 0$	4 PLACES	±	INITIAL REVISION:	
	3 PLACES	±	DRWN: YCHENG	2009/05/08
	2 PLACES	±	APPR: GMH	2004/06/10
	1 PLACE	±	SERIES	
DRAFT WHERE APPLICABLE MUST REMAIN WITHIN DIMENSIONS		THIRD ANGLE PROJECTION	DRAWING	SHEET NUMBER
			C-SIZE	73415
		MATERIAL NUMBER		DOC TYPE
		SEE TABLE		PSD
		CUSTOMER		DOC PART
		GENERAL MARKET		001
		SHEET NUMBER		REVISION
		1 OF 3		A4



SMP PLUG WITH LIMITED
 DETENT 50 OHMS EWR-2470 SMP-P/RA

PRODUCT CUSTOMER DRAWING

DOCUMENT NUMBER
SD-73415-501

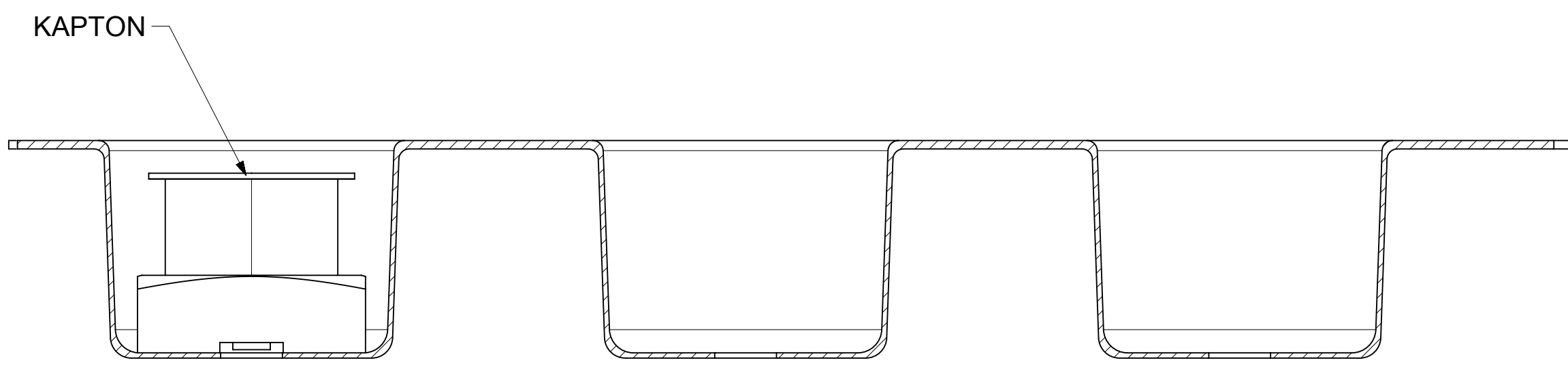
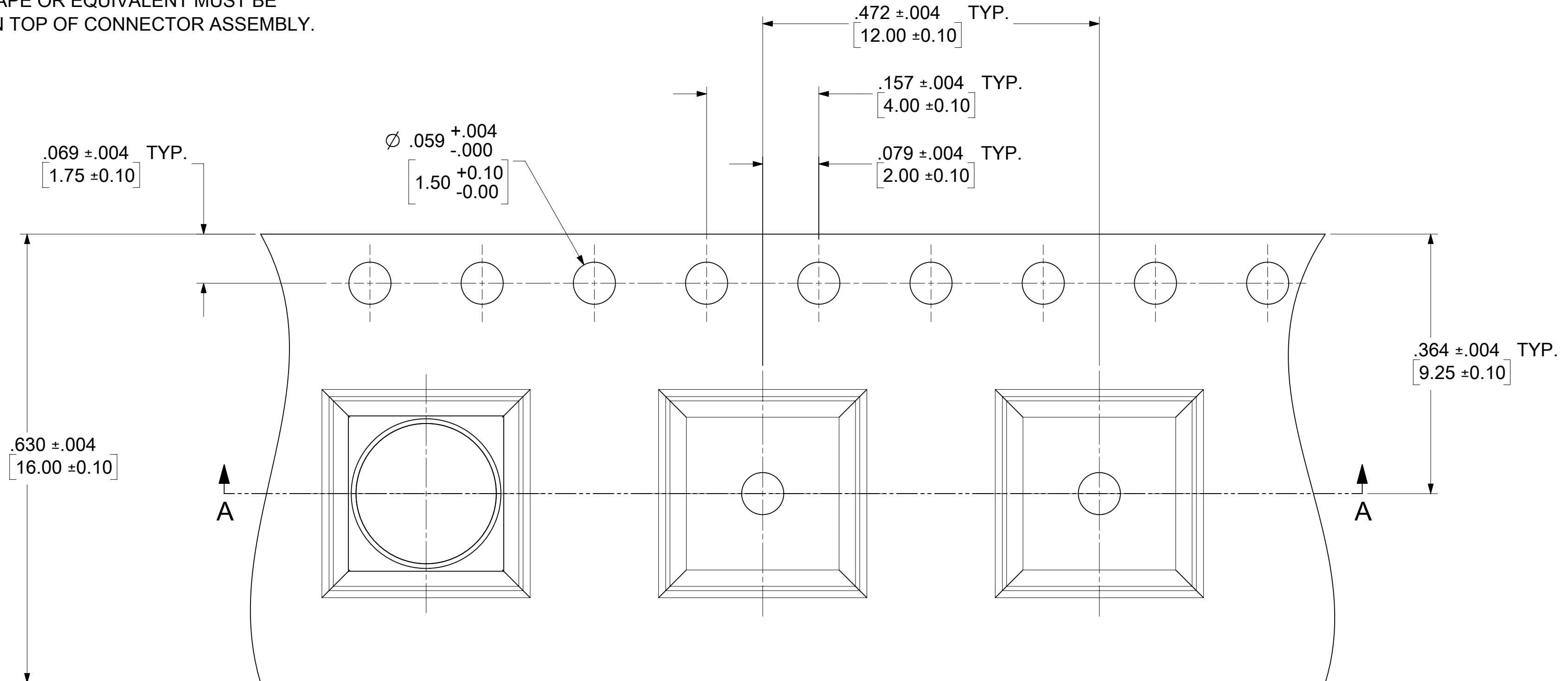
DOC TYPE
PSD

DOC PART
001

REVISION
A4

SHEET NUMBER
1 OF 3

NOTE:
 1. 10 PITCHES CUMULATIVE TOLERANCE ±0.20(.008)
 2. KAPTON TAPE OR EQUIVALENT MUST BE PLACED ON TOP OF CONNECTOR ASSEMBLY.



SECTION A-A

THIS DRAWING CONTAINS INFORMATION THAT IS PROPRIETARY TO MOLEX ELECTRONIC TECHNOLOGIES, LLC AND SHOULD NOT BE USED WITHOUT WRITTEN PERMISSION											
FUNCTIONAL SYMBOLS		DIMENSION UNITS		SCALE		CURRENT REV DESC: ADD 73415-5011 PER EWR# 15321-C					
FA = 0		INCH/MM		NTS		EC NO: 719080 DRWN: ELIN 2022/08/24 CHK'D: YCHENG 2022/08/29 APPR: YCHENG 2022/08/29 INITIAL REVISION: DRWN: YCHENG 2009/05/08 APPR: GMH 2004/06/10					
FC = 0		GENERAL TOLERANCES (UNLESS SPECIFIED)									
FP = 0		ANGULAR TOL ± 0.5°									
DIVISIONAL SYMBOLS		4 PLACES ±		3 PLACES ±		2 PLACES ± 0.25		1 PLACE ±		0 PLACES ±	
DRAFT WHERE APPLICABLE MUST REMAIN WITHIN DIMENSIONS		THIRD ANGLE PROJECTION		DRAWING		SERIES		MATERIAL NUMBER		CUSTOMER	
		C-SIZE		73415		SEE TABLE		GENERAL MARKET		SHEET NUMBER	

molex

SMP PLUG WITH LIMITED
 DETENT 50 OHMS EWR-2470 SMP-P/RA

PRODUCT CUSTOMER DRAWING

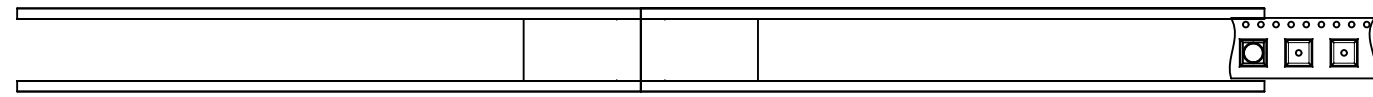
DOCUMENT NUMBER
SD-73415-501

DOC TYPE
PSD

DOC PART
001

REVISION
A4

DOCUMENT STATUS	P1	RELEASE DATE	2022/08/29	03:27:21
-----------------	----	--------------	------------	----------



HANDLING DIRECTION →

LABEL:
 - ORDER NO.
 - QUANTITY
 - PART NUMBER
 - LOT NO.

80mm EMPTY UNITS MIN.

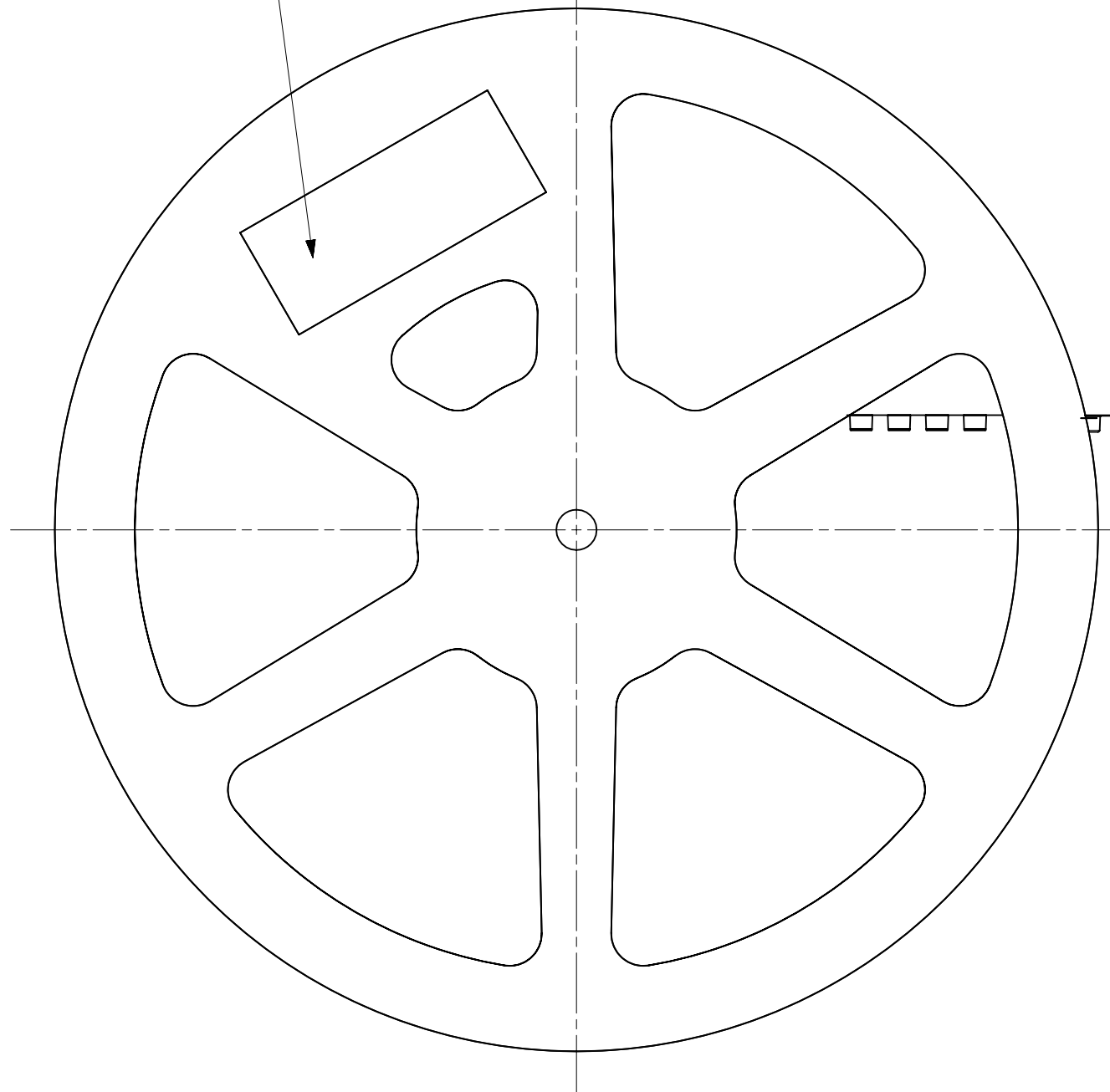
ORDER QUANTITY
 PACKED WITH 1000
 COMPONENTS

250mm EMPTY
 UNITS MIN.

.646 REF.
 [16.40]

∅ 12.993 REF.
 [330.02]

∅ 3.937 REF.
 [100.00]



9.055 MIN.
 [230.00]

HANDLING DIRECTION →

FUNCTIONAL SYMBOLS										THIS DRAWING CONTAINS INFORMATION THAT IS PROPRIETARY TO MOLEX ELECTRONIC TECHNOLOGIES, LLC AND SHOULD NOT BE USED WITHOUT WRITTEN PERMISSION																														
DIMENSION UNITS		SCALE		CURRENT REV DESC: ADD 73415-5011 PER EWR# 15321-C																																				
INCH/MM		NTS																																						
GENERAL TOLERANCES (UNLESS SPECIFIED)										EC NO: 719080																														
ANGULAR TOL ± 0.5°										DRWN: ELIN 2022/08/24																														
4 PLACES ±										CHK'D: YCHENG 2022/08/29																														
3 PLACES ±										APPR: YCHENG 2022/08/29																														
2 PLACES ± 0.25										INITIAL REVISION:																														
1 PLACE ±										DRWN: YCHENG 2009/05/08																														
0 PLACES ±										APPR: GMH 2004/06/10																														
DRAFT WHERE APPLICABLE MUST REMAIN WITHIN DIMENSIONS					THIRD ANGLE PROJECTION			DRAWING		SERIES		MATERIAL NUMBER		CUSTOMER		SHEET NUMBER																								
								C-SIZE		73415		SEE TABLE		GENERAL MARKET		3 OF 3																								
<table border="1"> <tr> <td>DOCUMENT STATUS</td> <td>P1</td> <td>RELEASE DATE</td> <td>2022/08/29</td> <td>03:27:21</td> </tr> </table>										DOCUMENT STATUS	P1	RELEASE DATE	2022/08/29	03:27:21	<table border="1"> <tr> <td>DOC TYPE</td> <td>DOC PART</td> <td>REVISION</td> </tr> <tr> <td>PSD</td> <td>001</td> <td>A4</td> </tr> </table>		DOC TYPE	DOC PART	REVISION	PSD	001	A4	<table border="1"> <tr> <td colspan="3">DOCUMENT NUMBER</td> <td colspan="3">MATERIAL NUMBER</td> </tr> <tr> <td colspan="3">SD-73415-501</td> <td colspan="3">SEE TABLE</td> </tr> </table>						DOCUMENT NUMBER			MATERIAL NUMBER			SD-73415-501			SEE TABLE		
DOCUMENT STATUS	P1	RELEASE DATE	2022/08/29	03:27:21																																				
DOC TYPE	DOC PART	REVISION																																						
PSD	001	A4																																						
DOCUMENT NUMBER			MATERIAL NUMBER																																					
SD-73415-501			SEE TABLE																																					