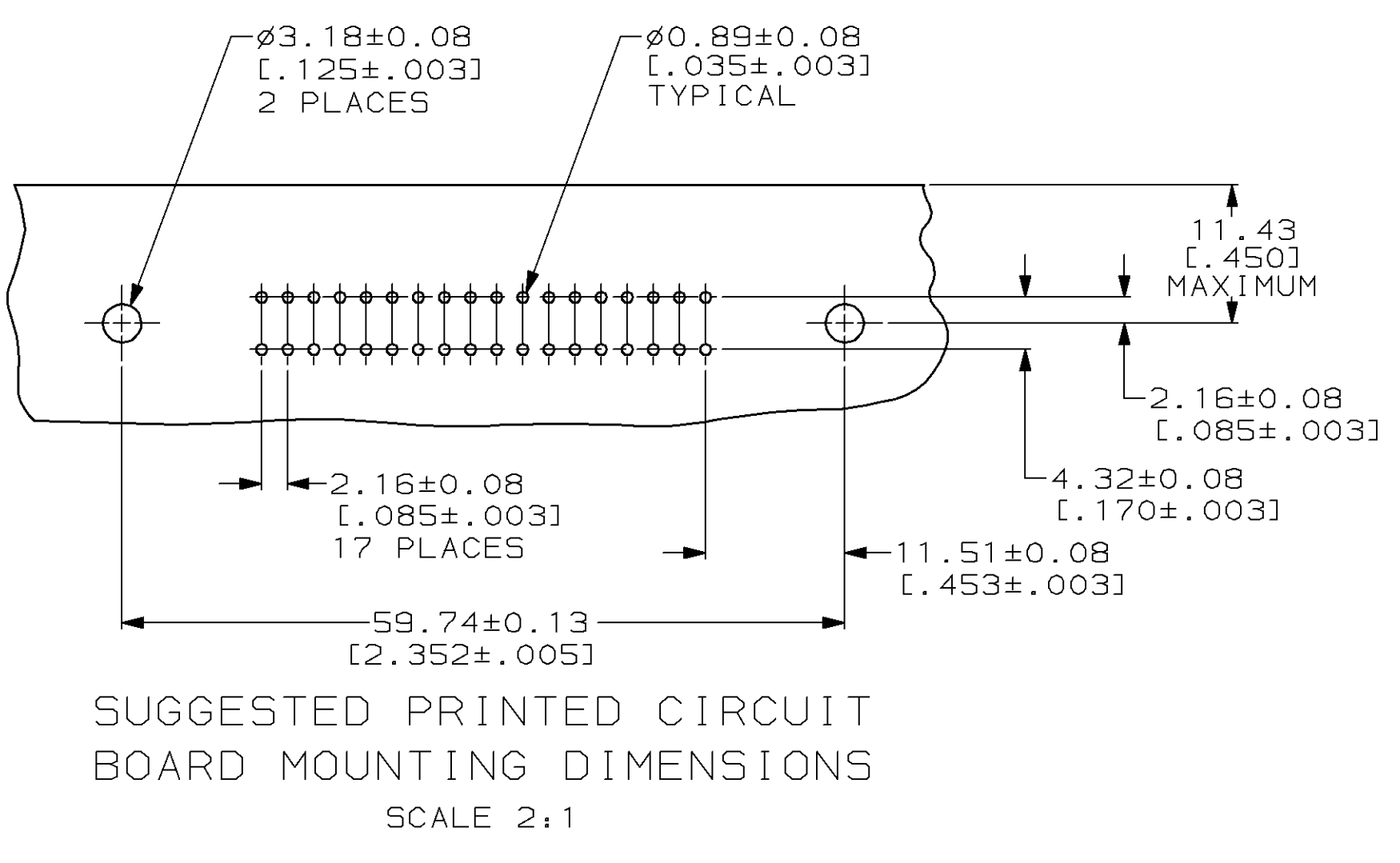
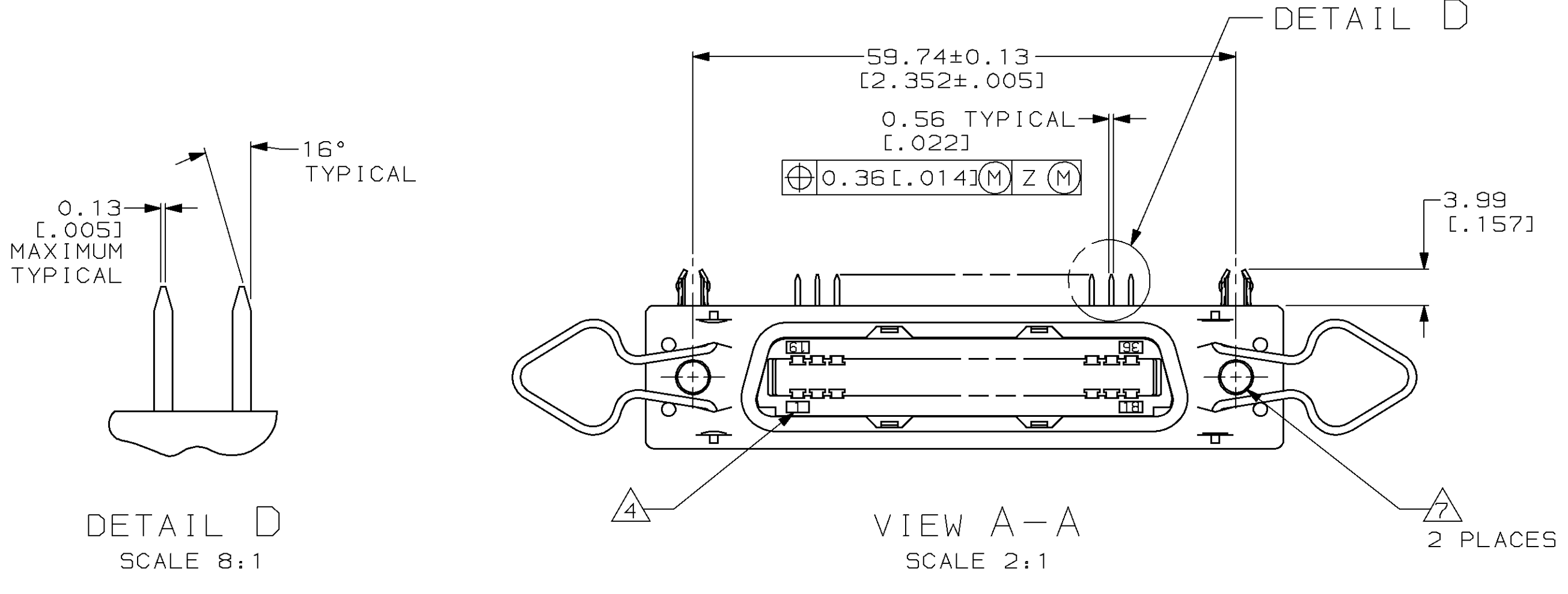
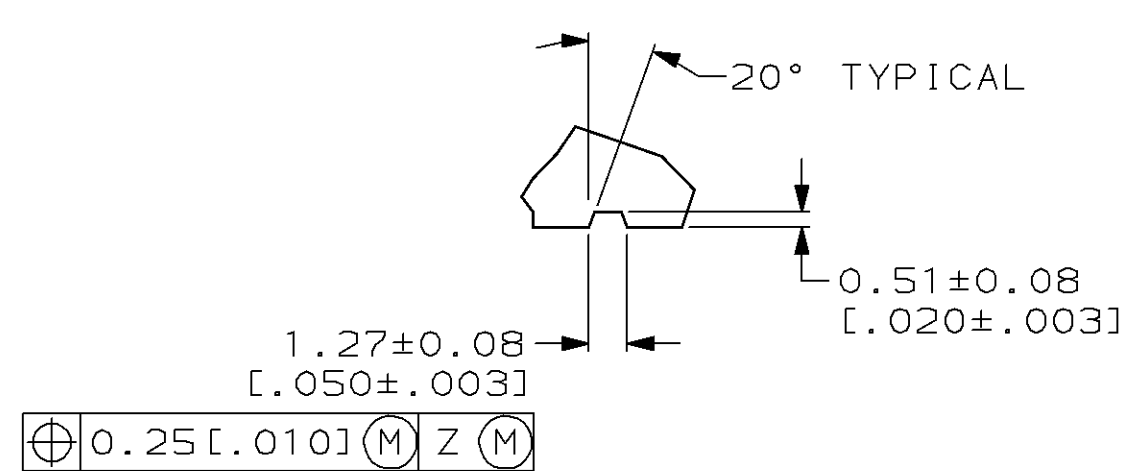
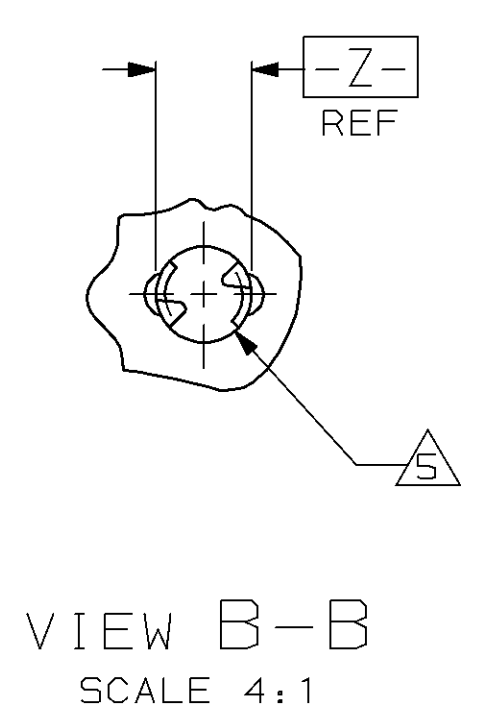
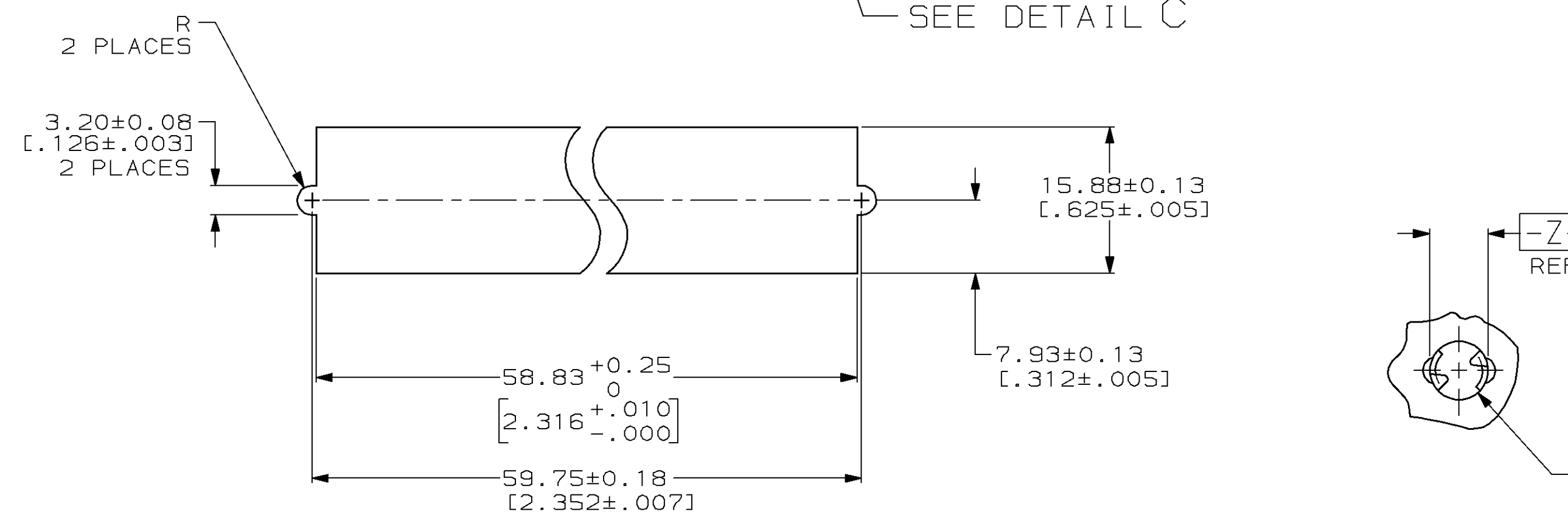
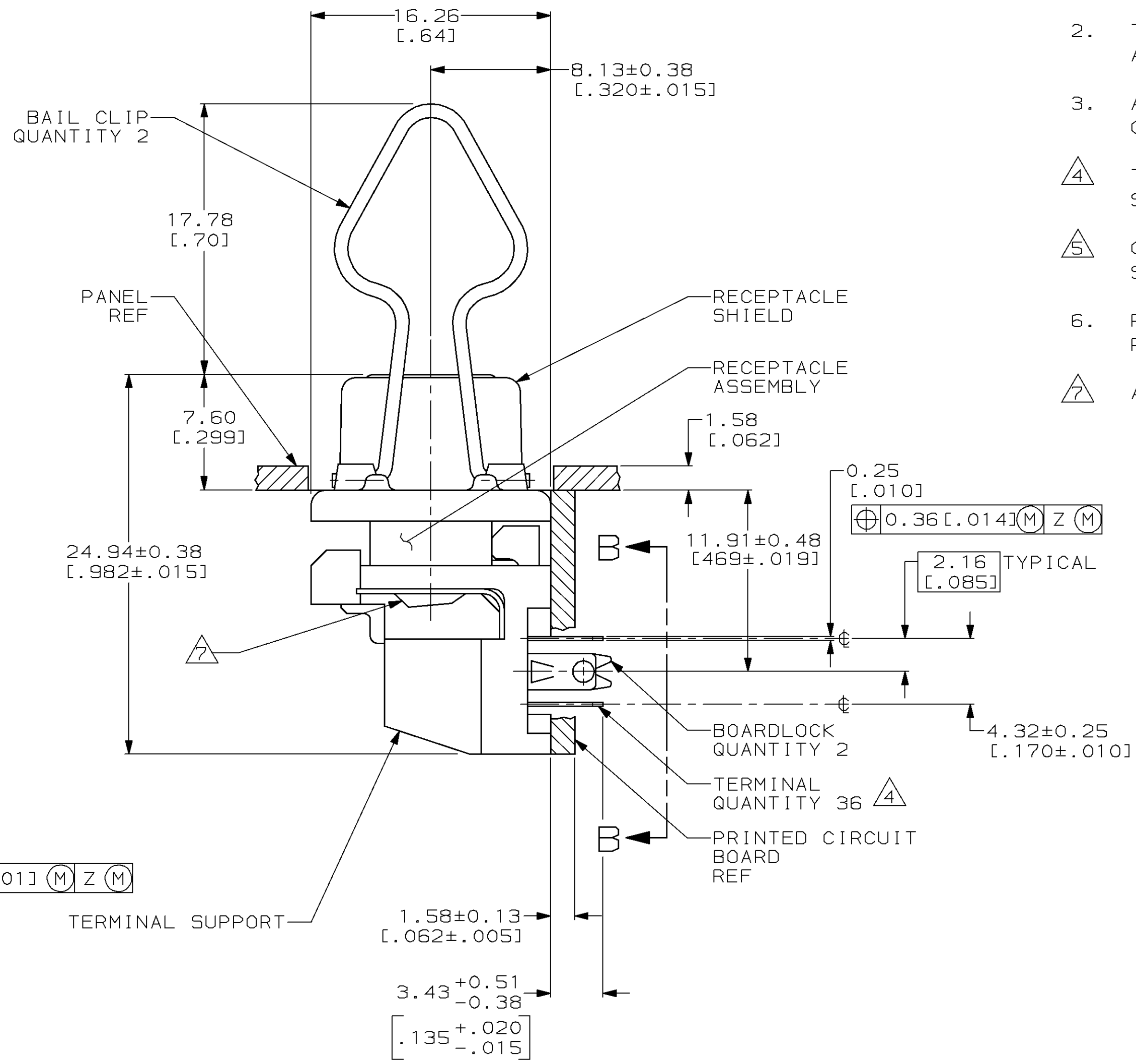
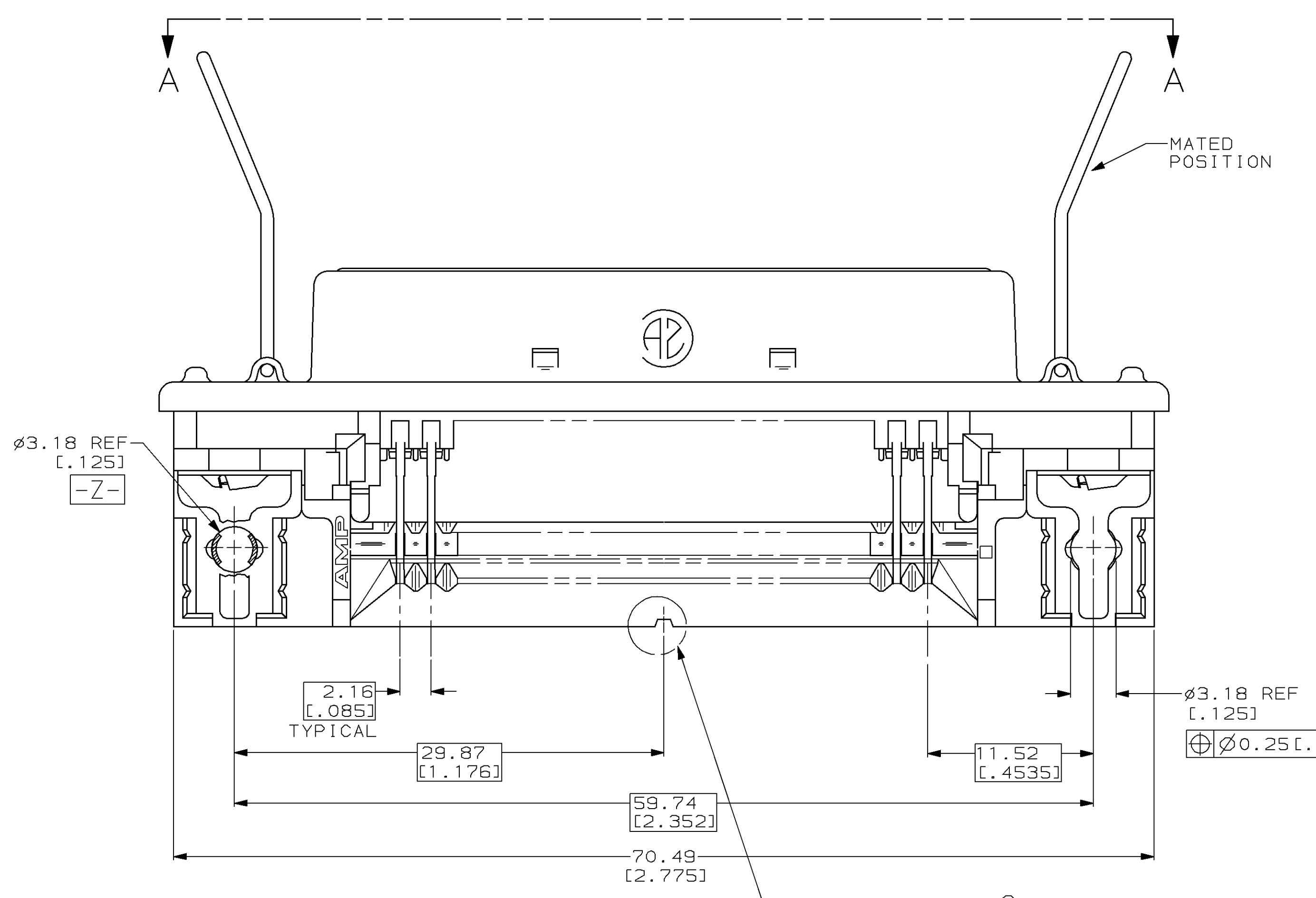


LOC	DIST	REVISIONS				
		REV	DESCRIPTION	DATE	OWN	APPROV
AA	20	R	REV; EC 0502-0441-97	02JUL97	GG	RF



- MATERIAL:
 TERMINAL SUPPORT - 94 V-0 HTN, BLACK, OR EQUIVALENT.
 HOUSING - 94 V-0 HTN, BLACK, OR EQUIVALENT.
 BAIL CLIPS - PASSIVATED STAINLESS STEEL.
 RECEPTACLE SHIELD - BRIGHT NICKEL OVER CARBON STEEL.
 TERMINAL TAILS - TIN LEAD OVER NICKEL PLATED HIGH STRENGTH COPPER ALLOY.
 MATING SURFACE - LOCALIZED GOLD OVER NICKEL PLATED HIGH STRENGTH COPPER ALLOY.
 BOARDLOCK - TIN LEAD PLATED CARBON STEEL.
- THE CONTACT SURFACES OF THE TERMINALS ARE COATED WITH LUBRICANT.
 - ALL DIMENSIONS SHOWN ARE MAXIMUM UNLESS OTHERWISE SPECIFIED.
 - TERMINAL 1 LOCATED IN THIS ROW FOR STANDARD ORIENTATION.
 - CYLINDRICAL SHAPE OFFERS 180° OF SOLDERING SURFACE.
 - PART WILL WITHSTAND INFRARED AND VAPOR PHASE REFLOW TEMPERATURE FOR 90 SECONDS.
 - ACCOMMODATES #4-40 UNC-2A THREAD.



555520-2
PART NUMBER

DIMENSIONS (INCHES)		TOLERANCES UNLESS OTHERWISE SPECIFIED		DRAWN		DATE		AMP Incorporated	
0 PLC	±	0	±	RAB/UTA	9-22-95	Harrisburg, PA 17105-3508			
1 PLC	±	1	±	CHK N. JONES	9-28-95				
2 PLC	±	2	±	APPROV R. FLAHERTY	10-4-95	NAME RCPT ASSY, SHIELDED, 36 POSN, RIGHT ANGLE, WITH THREADED BOARDLOCK, CHAMP ©			
3 PLC	±	3	±	PRODUCT SPEC		SIZE A1 CAGE CODE 00779 DRAWING NO. C-555520			
4 PLC	±	4	±	APPLICATION SPEC		WEIGHT - SCALE 4:1 SHEET 1 OF 1 REV R			
ANGLES	±		±			CUSTOMER DRAWING			
FINISH									