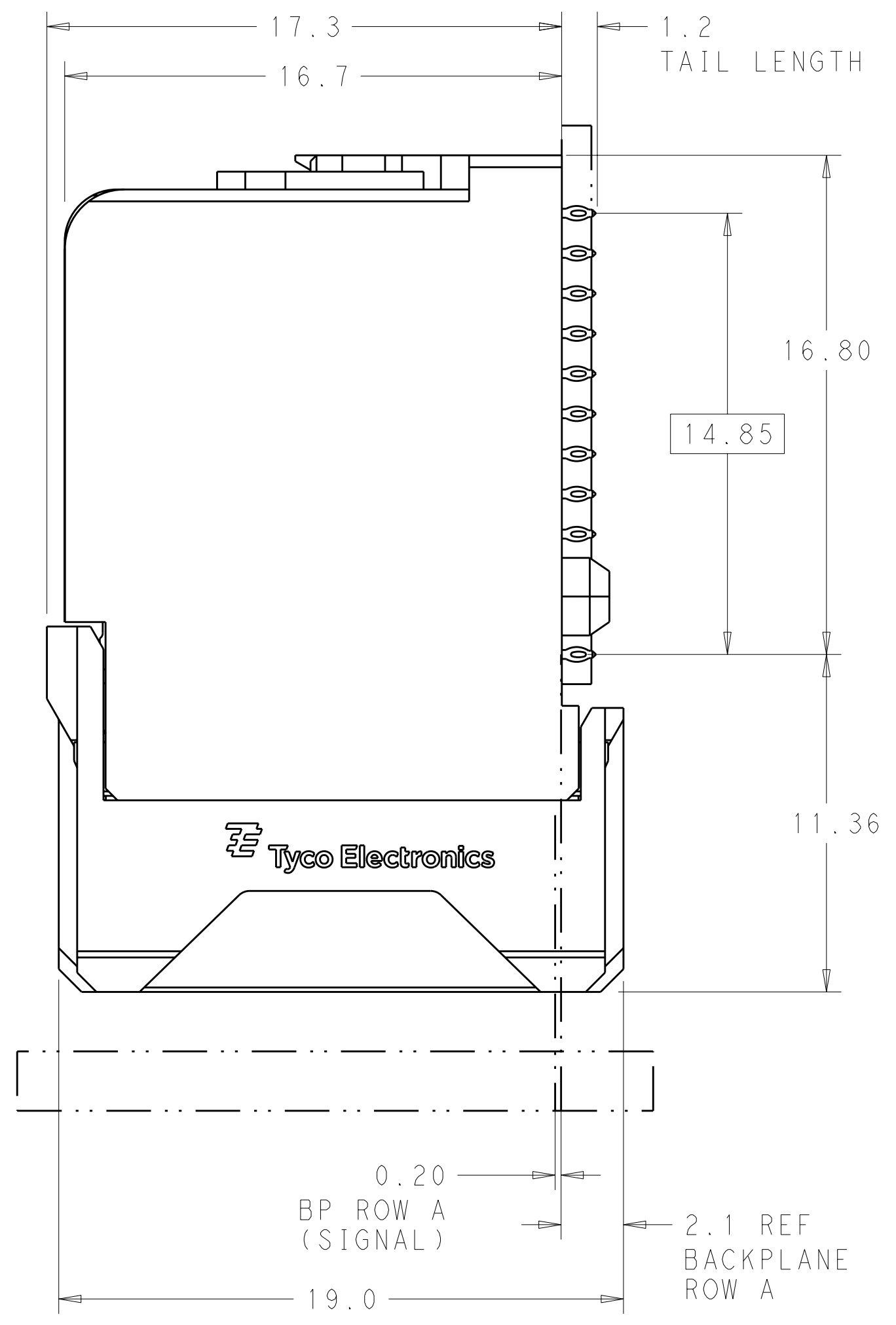
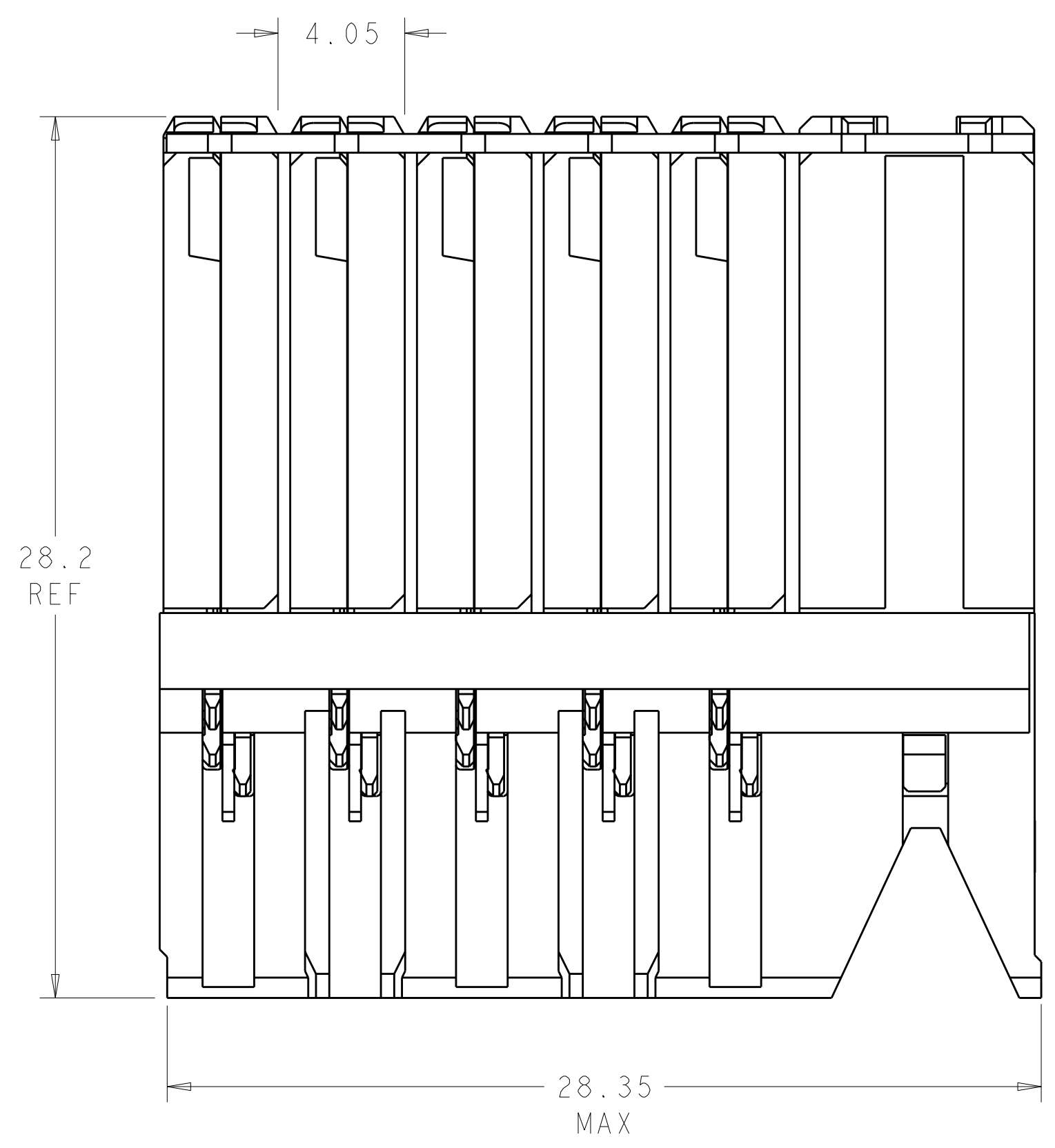
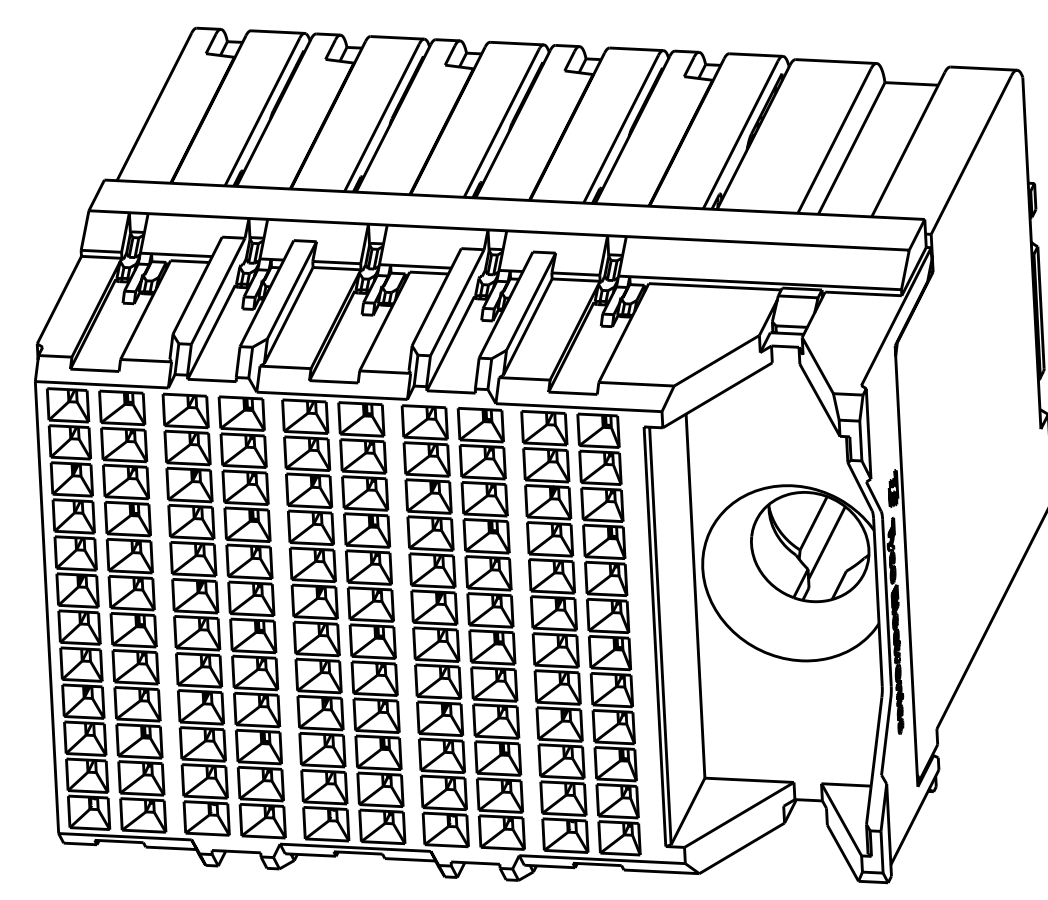


LOC		DIST		REVISIONS			
AD	00	REV	DATE	BY	CHK	APPV	
B			18JAN2012	KH	DD		
DESCRIPTION							
REVISED PER ECO-12-000423							

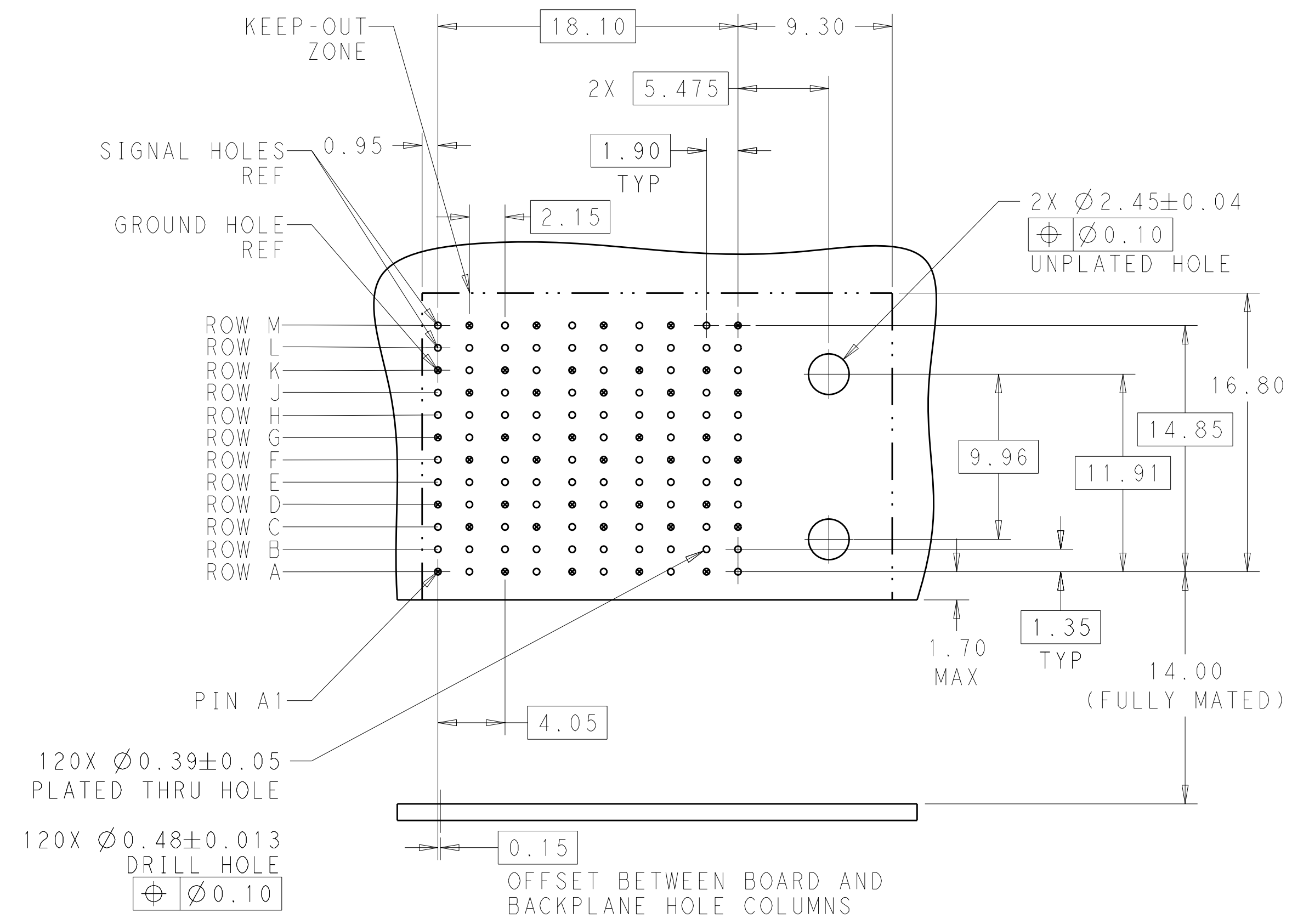
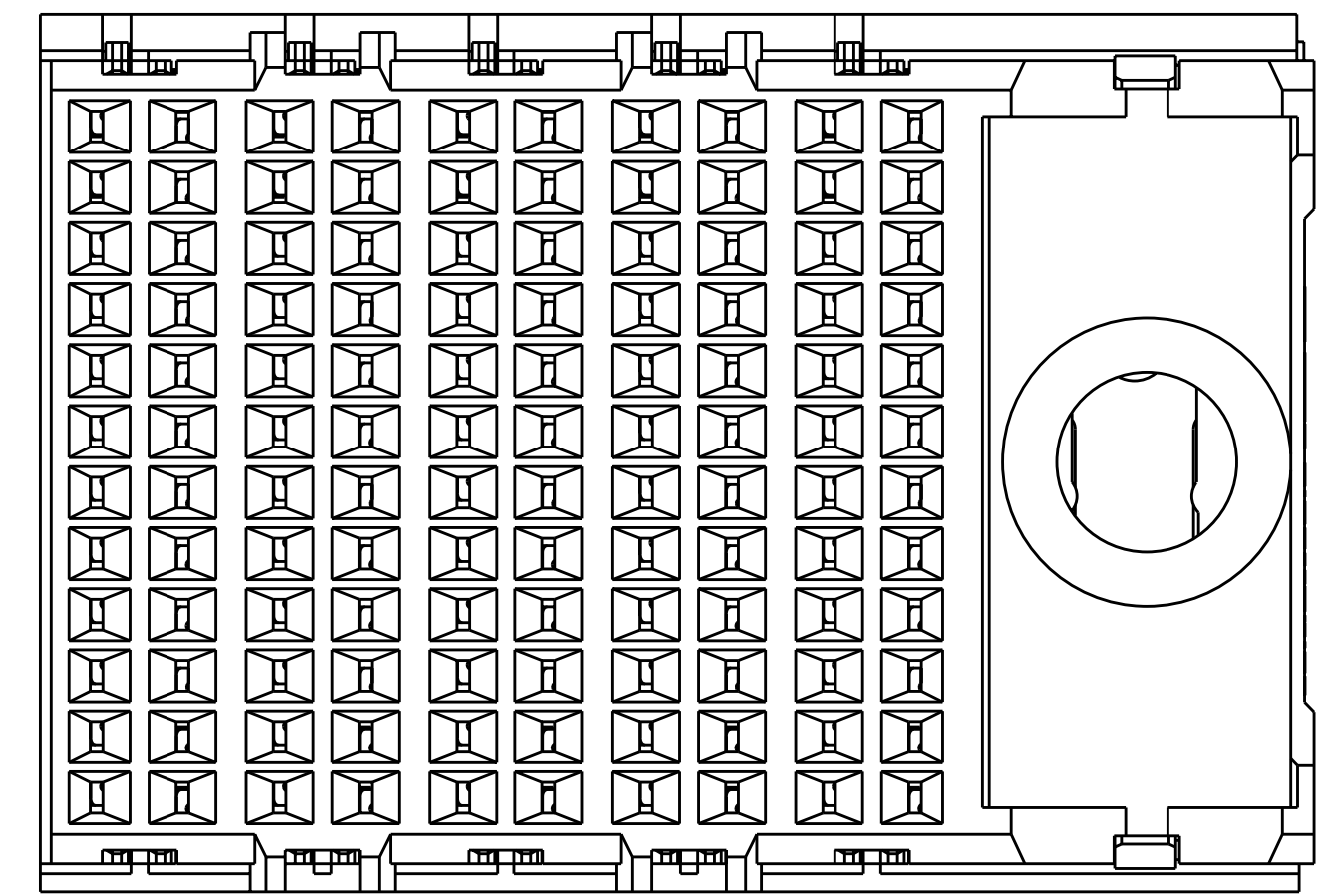


- 1 MATERIAL:
HOUSING: LCP, GLASS FILLED, UL94V-0.
TERMINALS: HIGH PERFORMANCE COPPER ALLOY.
- 2 FINISH:
30µ" SELECTIVE GOLD IN CONTACT AREA. SELECTIVE TIN ON PCB TAILS, NICKEL OVERALL.
- 3 FINISH:
30µ" SELECTIVE GOLD IN CONTACT AREA. SELECTIVE TIN-LEAD ON PCB TAILS, NICKEL OVERALL.
- 4. CONNECTORS SUPPLIED WITH MOUNTING SCREWS.



SCALE 4:1

REFER TO WWW.TE.COM FOR PRODUCT AVAILABILITY



RECOMMENDED PCB LAYOUT
 MIN BOARD THICKNESS 1.0

KEY POSITION	FINISH	PART NUMBER
NONE	3	2132468-5
NONE	2	2132468-1

THIS DRAWING IS A CONTROLLED DOCUMENT.		DWN 22JUN2011		TE Connectivity	
DIMENSIONS:		CHK D. DIXON 22JUN2011 <td colspan="2">NAME</td>		NAME	
TOLERANCES UNLESS OTHERWISE SPECIFIED:		APPV D. DIXON 22JUN2011 <td colspan="2">PRODUCT SPEC</td>		PRODUCT SPEC	
mm		PRODUCT SPEC		APPLICATION SPEC	
9 PLC ±		APPLICATION SPEC		SIZE CAGE CODE DRAWING NO RESTRICTED TO	
1 PLC ±0.25		WEIGHT		A100779C=2132468	
3 PLC ±0.15		CUSTOMER DRAWING		SCALE 6:1 SHEET 1 OF 1 REV B	
5 PLC ±					
4 PLC ±					
ANGLES ±					
FINISH SEE TABLE					