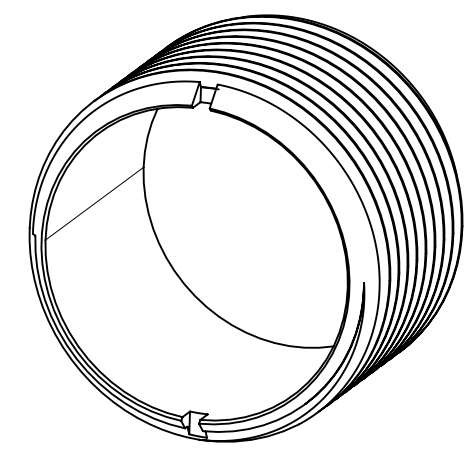
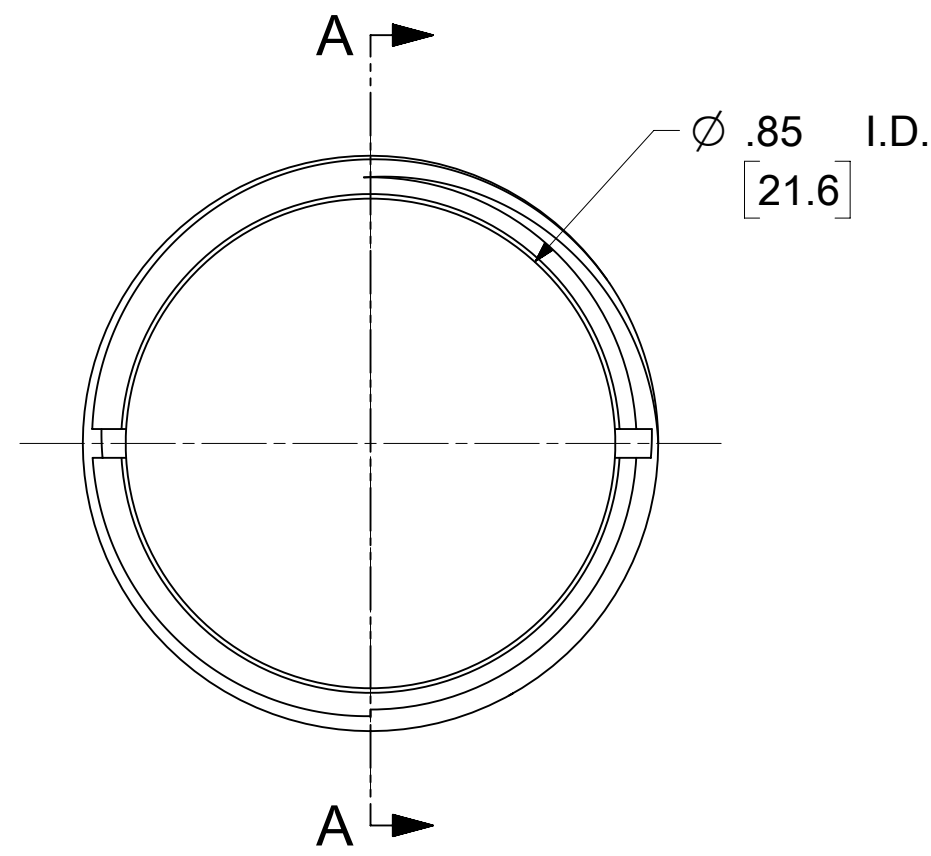
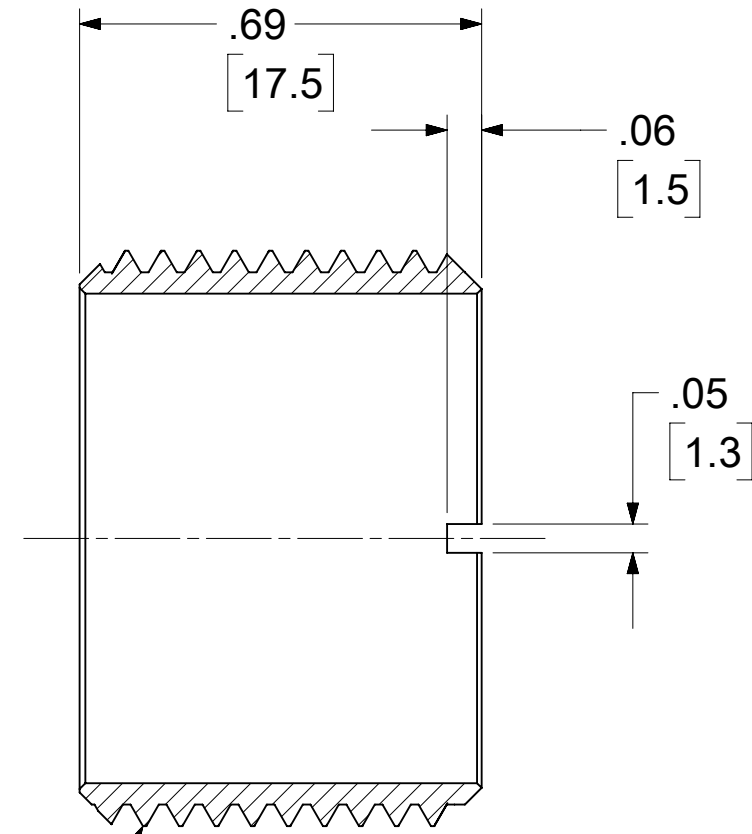


MATERIAL NO.	ENGINEERING NO.	FINISH	MATERIAL
1302011226	55-0466	CLEAR ANODIZE	ALUMINUM
1302011227	55-0466SS	PASSIVATED	ST. STEEL



SCALE 2:1

1-16 UN-2A THD
SECTION A-A

NOTE: (C)
ALL DIMENSIONS ARE FOR REFERENCE UNLESS TOLERANCED OR OTHERWISE NOTED

THIS DRAWING CONTAINS INFORMATION THAT IS PROPRIETARY TO MOLEX ELECTRONIC TECHNOLOGIES, LLC AND SHOULD NOT BE USED WITHOUT WRITTEN PERMISSION									
FUNCTIONAL SYMBOLS	DIMENSION UNITS	SCALE	CURRENT REV DESC: NOTE ADDED						
	INCH/MM	2:1	molex MINI-CHANGE THREADED ADAPTER B - SIZE, 1-16 THD						
GENERAL TOLERANCES (UNLESS SPECIFIED)									
DIVISIONAL SYMBOLS	4 PLACES	±	MM	INCH	EC NO: 701162	2022/01/12	PRODUCT CUSTOMER DRAWING DOCUMENT NUMBER: SD-130201-226 DOC TYPE: PSD DOC PART: 001 REVISION: C		
	3 PLACES	±			DRWN: AKABADI	2022/03/30			
	2 PLACES	±			CHKD: RSTONE	2022/04/08			
	1 PLACE	±			APPR: BWOODMAN				
	0 PLACES	±			INITIAL REVISION:	2009/08/24	MATERIAL NUMBER: SEE TABLE CUSTOMER: GENERAL MARKET SHEET NUMBER: 1 OF 1		
ANGULAR TOL	±	°		DRWN: BRUPERT	2009/08/27				
DRAFT WHERE APPLICABLE MUST REMAIN WITHIN DIMENSIONS			THIRD ANGLE PROJECTION	DRAWING	SERIES				
				B-SIZE	130201				

DOCUMENT STATUS	P1	RELEASE DATE	2022/04/08	14:05:57
-----------------	----	--------------	------------	----------