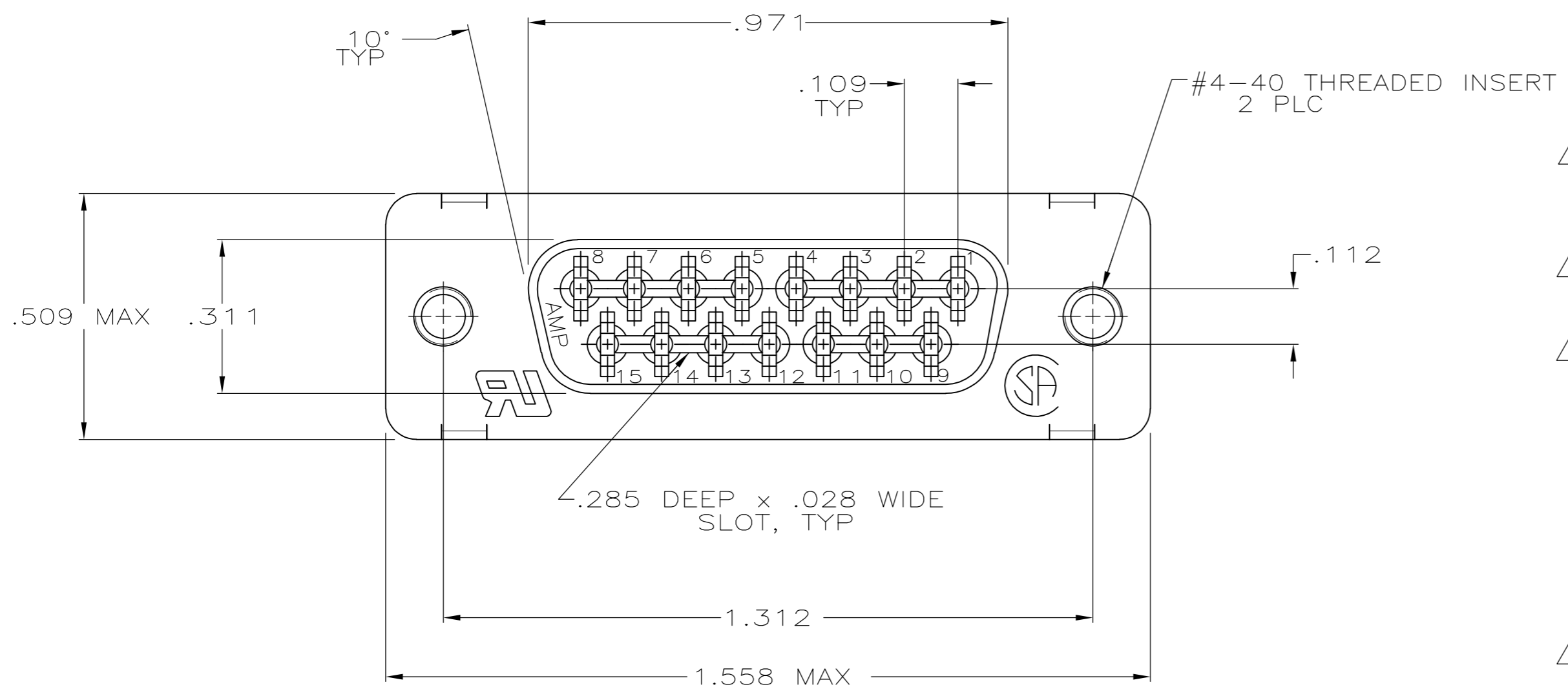
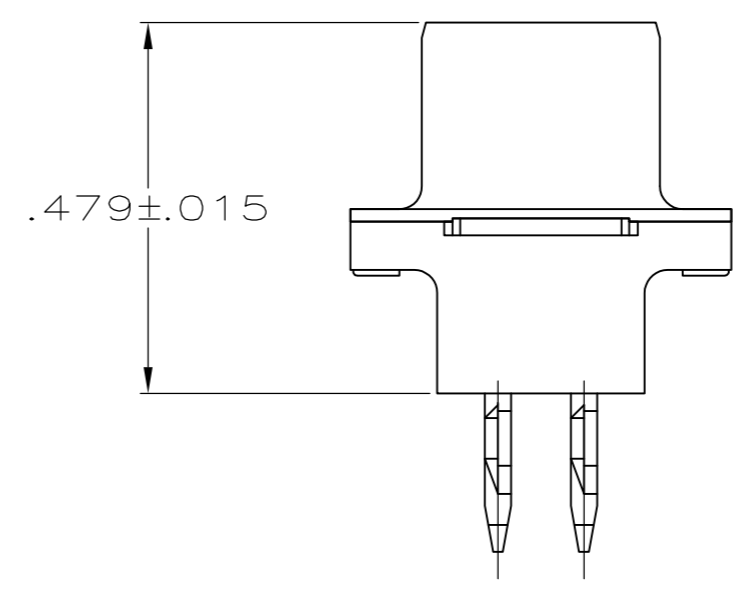
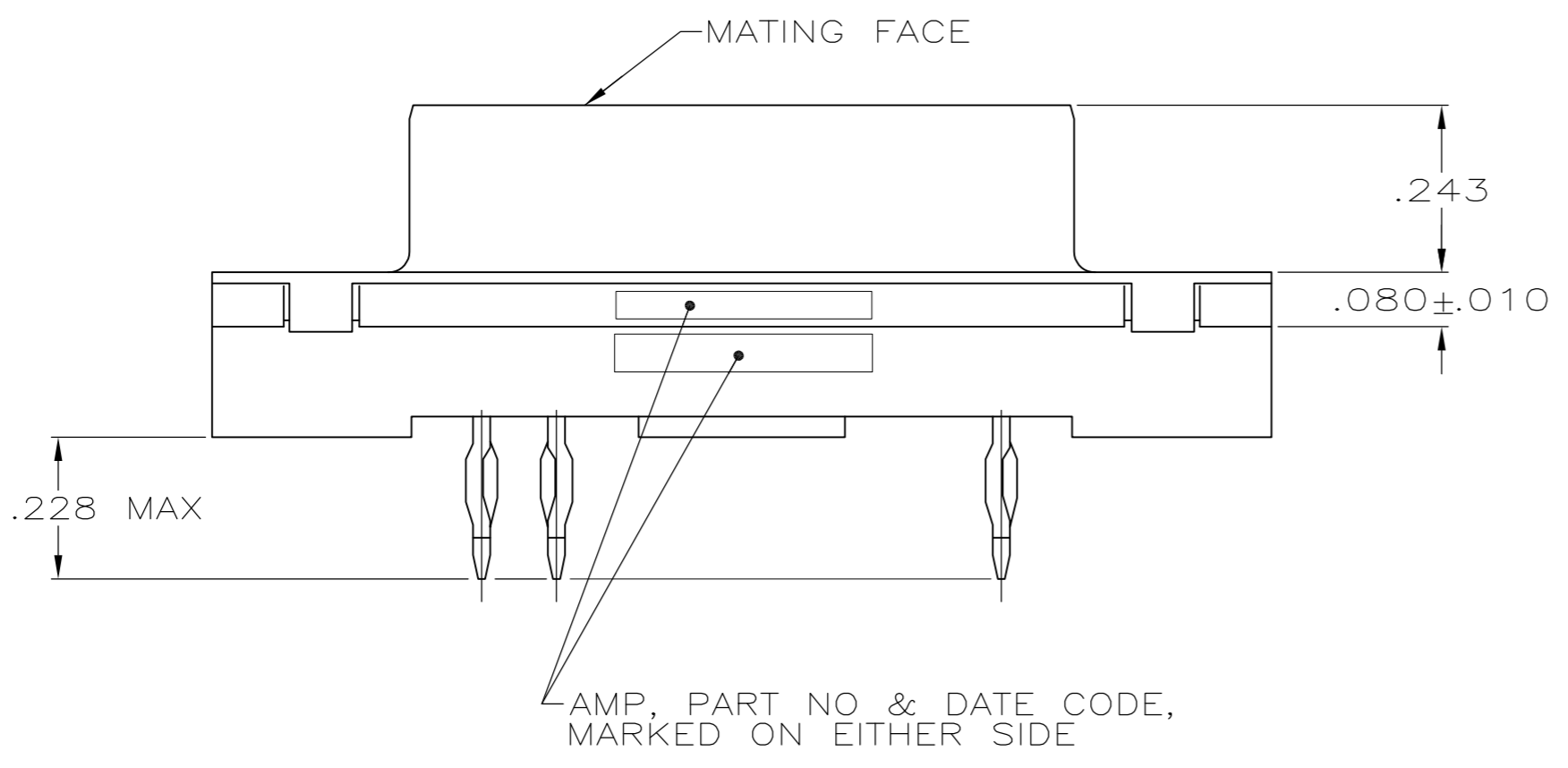


THIS DRAWING IS UNPUBLISHED. RELEASED FOR PUBLICATION
 © COPYRIGHT - By - ALL RIGHTS RESERVED.

LOC	DIST	REVISIONS					
GP	00	P	LTR	DESCRIPTION	DATE	DWN	APVD
		M		REV PER ECO-12-000090	1FEB2012	CJV	SLB



- ① FOR USE WITH .093 MINIMUM THICK PRINTED CIRCUIT BOARD. REFER TO APPLICATION SPECIFICATION FOR PRINTED CIRCUIT BOARD LAYOUT DIMENSIONS AND FINISH RECOMMENDATIONS.
- ② DUPLEX PLATED: GOLD FLASH ON MATING SURFACE, BRIGHT TIN OR BRIGHT TIN LEAD ON COMPLIANT PIN, ALL OVER NICKEL.
- ③ .000030 MINIMUM GOLD IN MATING AREA.
 .000100 MINIMUM TIN OR TIN-LEAD ON COMPLIANT PIN.
 ALL OVER .000050 MINIMUM NICKEL.
 OR
 GOLD FLASH OVER PALLADIUM NICKEL
 .000030 MINIMUM TOTAL IN MATING AREA.
 .000100 MINIMUM TIN OR TIN-LEAD ON COMPLIANT PIN.
 ALL OVER .000050 MINIMUM NICKEL.
- ④ PLATED .0002-.0004 BRIGHT TIN



SUPERSEDED BY 747141-2	③	747141-2
	②	747141-1
	CONTACT FINISH	FINISH

THIS DRAWING IS A CONTROLLED DOCUMENT. DIMENSIONING AND TOLERANCING PER ASME Y14.5M-2009		DWN D.HARDY 03-31-94	TE Connectivity	
DIMENSIONS: INCHES		CHK R.STONE 04-26-94	RCPT ASSY, SIZE 2, 15 POSN, AMPLIMITE™ HDP, MDM PROFILE, W/ ACTION PIN CONT & METAL SHELL. #4-40 THREADED INSERTS	
TOLERANCES UNLESS OTHERWISE SPECIFIED:		APVD -	NAME	RESTRICTED TO
0 PLC	± -	PRODUCT SPEC	108-40014	
1 PLC	± -	APPLICATION SPEC	114-40026 ①	
2 PLC	± -	SIZE	A2	
3 PLC	± .005	CAGE CODE	00779	
4 PLC	± -	DRAWING NO	C=747141	
ANGLES	± 2°	WEIGHT	-	
MATERIAL: HOUSING: FLAME RETARDANT 94V-0 RATED THERMOPLSTC; COLOR: BLACK CONTACTS: COPPER ALLOY SHELL: CARBON STEEL INSERT: BRASS	FINISH: CONTACTS: SEE TABLE SHELL: ④ INSERTS: UNPLATED	CUSTOMER DRAWING	SCALE 4:1	SHEET 1 of 1 REV M