



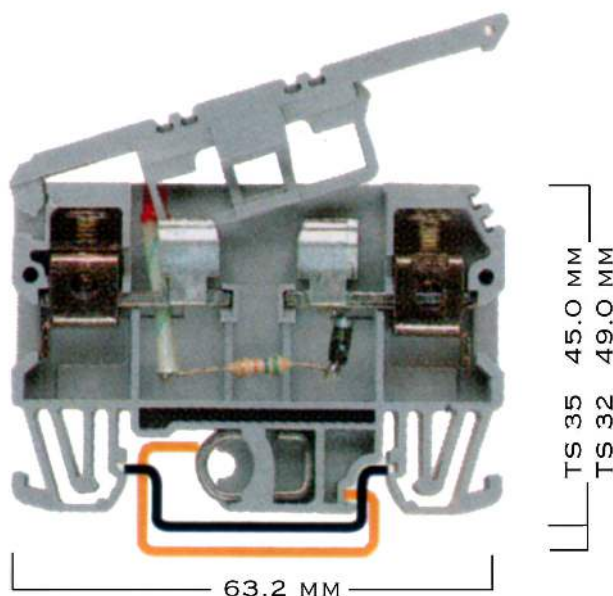
AMERICAN ELECTRICAL, INC.



INDUSTRIAL ELECTRICAL ACCESSORIES

425 SOUTHLAKE BLVD. • SUITE 9-B • RICHMOND, VA 23236 • (804) 379-2899 • FAX: (804) 379-8935

DIN RAIL MOUNTED FUSE BLOCKS

ASK 2 LD 110 VAC (FUSE BLOWN INDICATOR)



DESCRIPTION	AEI PART NO.	VOLTS	AMPS A	WIRE SIZE AWG	WIDTH MM
FUSE BLOCK FOR 5MM X 20MM & 5MM X 25MM FUSES	351510	110 VAC	6.3	26 ... 8	8
END BRACKET 	495040				8
END PLATE 	450040				1.5

