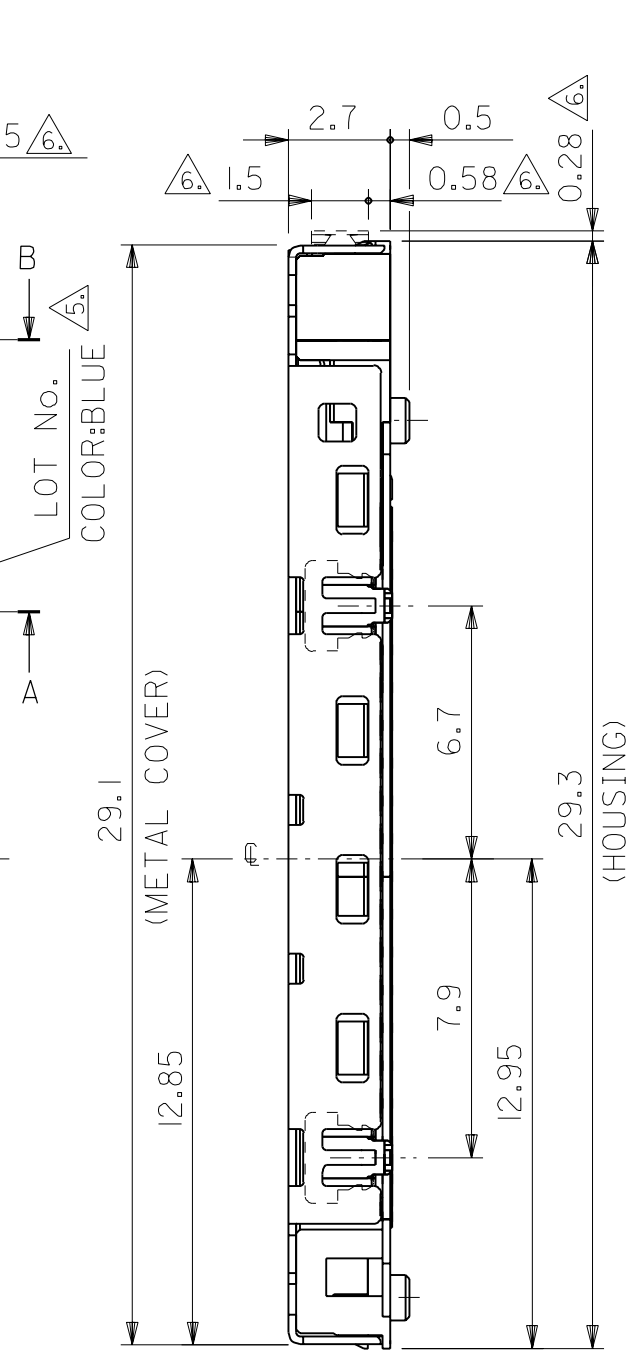
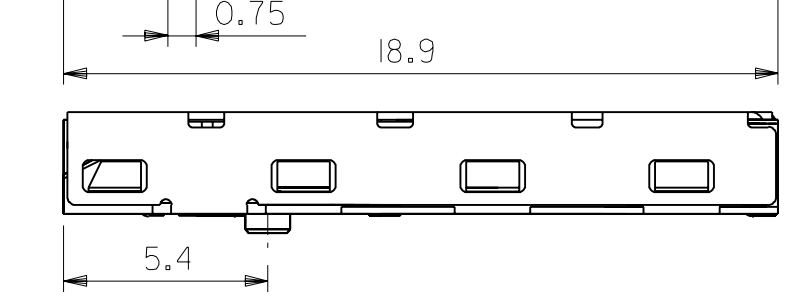
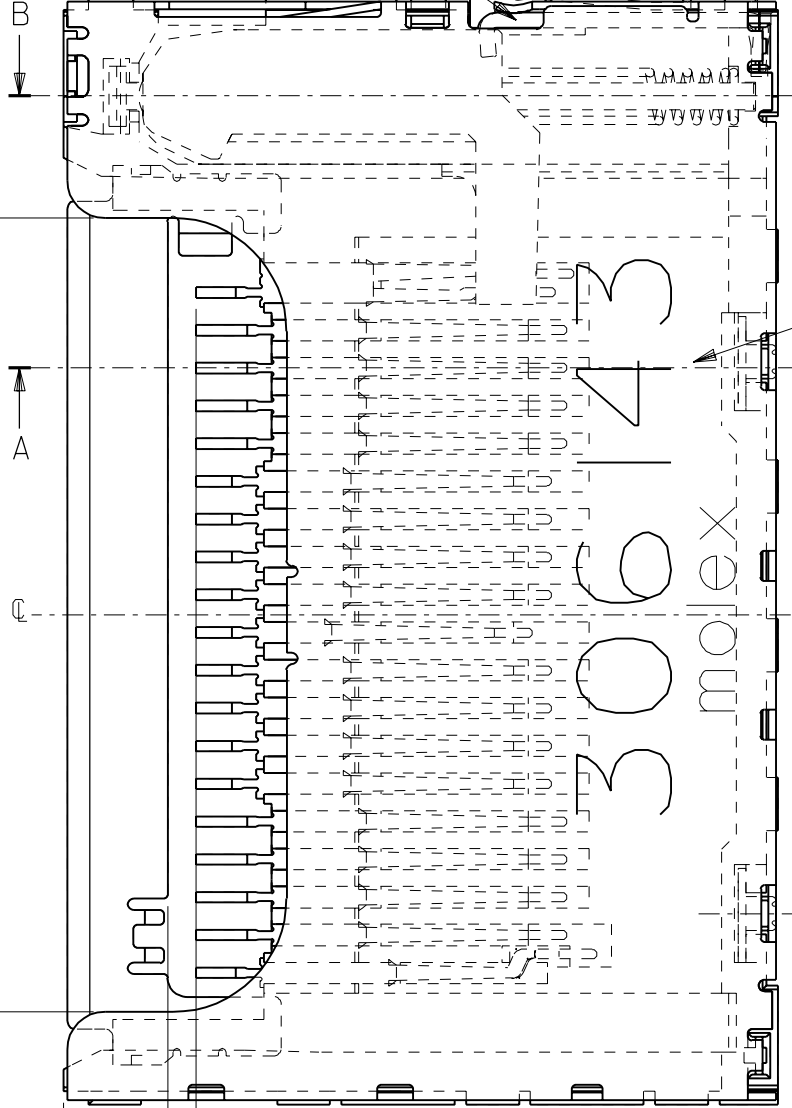
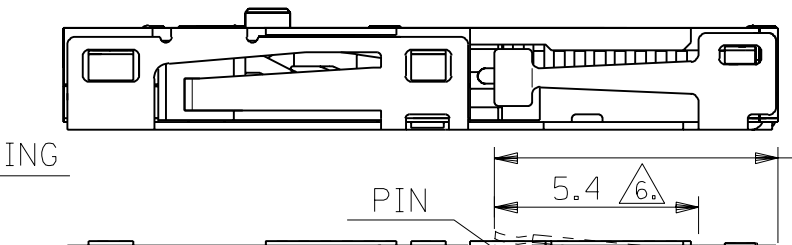
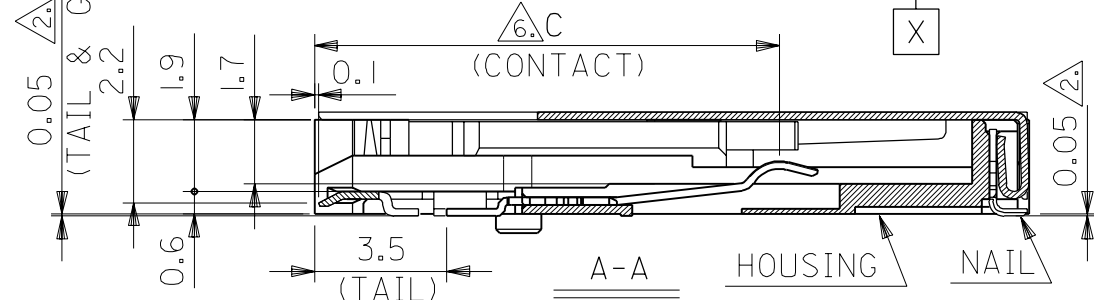
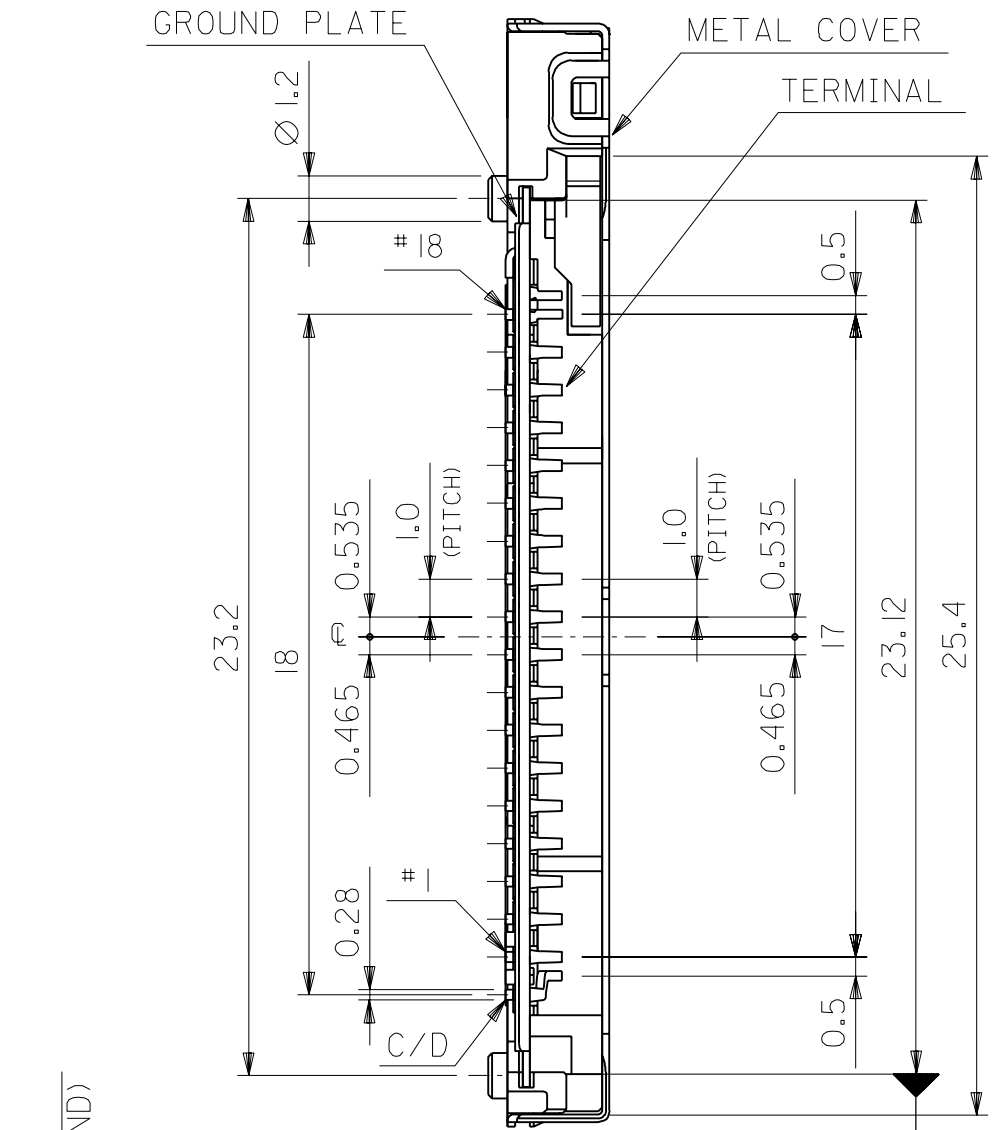
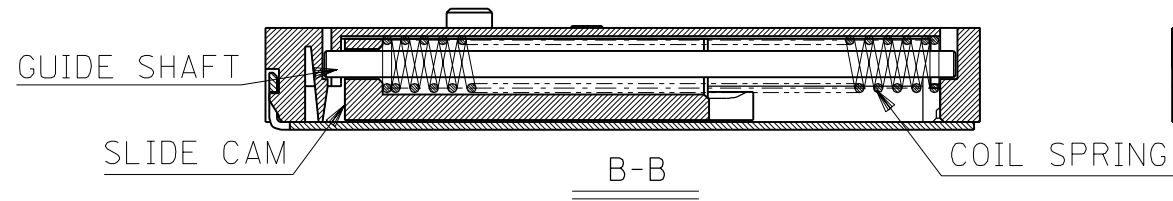


DWG. NO.
SD-500733-005



無鉛
LEAD FREE

DIMENSIONS	
CIRCUIT No.	C
#18	12, 12.5
#9	11.4
#5 ~ #8, #10 ~ #13	11.9
#1 ~ #4, #14 ~ #17	12.3
#0(C/D)	13.1

CIRCUITS	19
TAPE	500733-1991
	500733-1999
PACKAGING MATERIAL NO.	

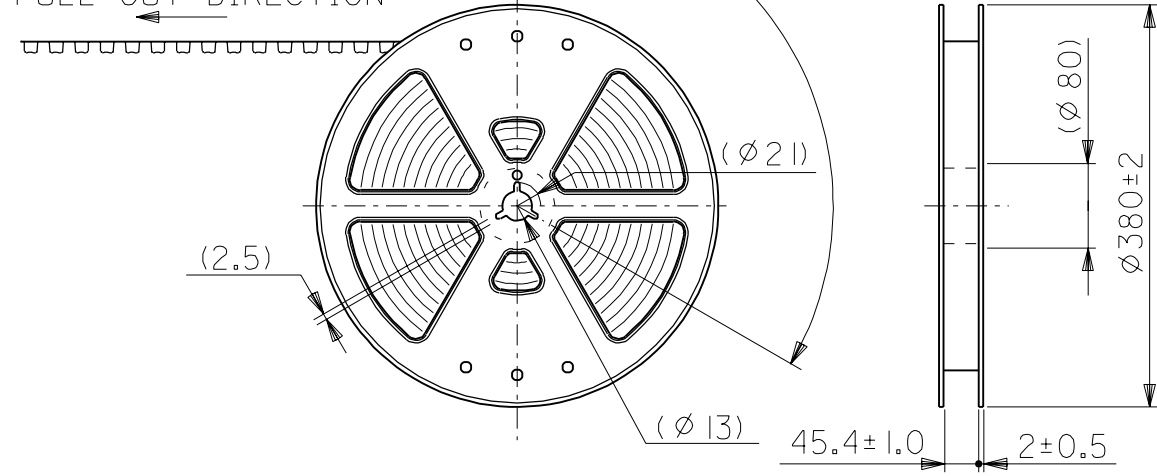
DO NOT SCALE DRAWING

EC NO. DRWN: CHK: APPR:	EC NO. DRWN: CHK: APPR:	EC NO. DRWN: CHK: APPR:	REVISED EC NO. J2004-2677 DRWN: Y.HASEGAWA '04/02/26 CHK: H.HIRATA '04/02/26 APPR: M.SASAO '04/02/26	RELEASED EC NO. J2004-2145 DRWN: Y.HASEGAWA '03/06/01 CHK: H.HIRATA '03/06/01 APPR: M.SASAO '03/06/01	DESCRIPTION
			A	O	
					MATERIAL 材料
					SEE NOTE 1.
					FINISH 仕上げ
					SEE NOTE 1.
					WIRE RANGE 適用電線範囲
					#
					INS. RANGE 被覆外径
					#

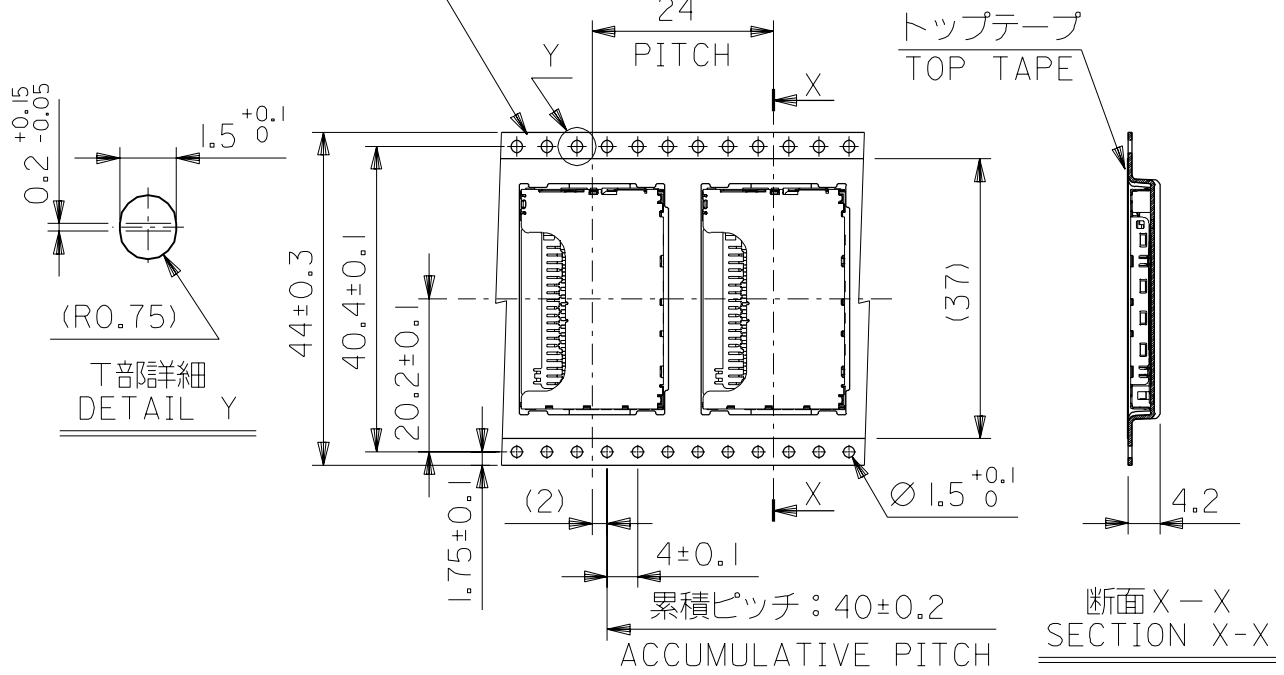
GENERAL TOLERANCES: (UNLESS SPECIFIED) 一般公差	SCALE 5-1	DESIGN UNITS <input checked="" type="checkbox"/> mm <input type="checkbox"/> INCH	THIRD ANGLE PROJECTION <input checked="" type="checkbox"/> <input type="checkbox"/>
10 UNDER 未満	±0.2	DRAWN BY & DATE Y.HASEGAWA '04/01/28	TITLE: XD PICTURE CARD SOCKET HOUSING ASS'Y (LOW PROFILE TYPE)
10 OVER 30 UNDER 以上 未満	±0.25	CHECKED BY & DATE H.HIRATA '04/01/28	MOLEX INCORPORATED
30 OVER 以上	±0.3	APPROVED BY & DATE M.SASAO '04/01/28	MATERIAL NO. SEE TABLE
ANGLE 角度	±3°	CAD FILENAME SD-500733-005.S01	DRAWING NO. SD-500733-005
		THIS DRAWING CONTAINS INFORMATION THAT IS PROPRIETARY TO MOLEX INCORPORATED AND SHOULD NOT BE USED WITHOUT WRITTEN PERMISSION.	
			SHEET NO. 1 OF 2
			SIZE B

DWG. NO.
SD-500733-006

引き出し方向
PULL OUT DIRECTION

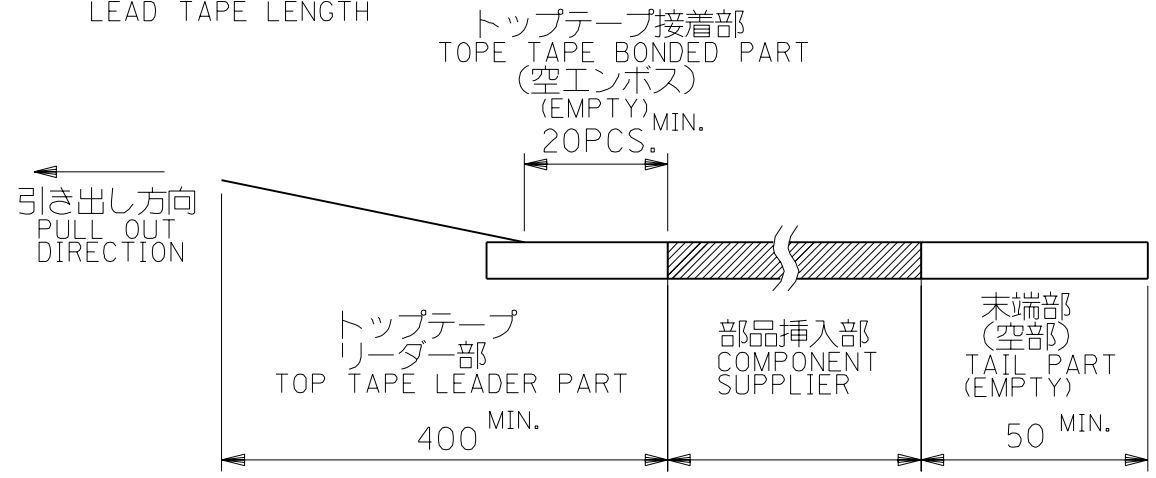


44巾テープ
44 WIDTH TAPE



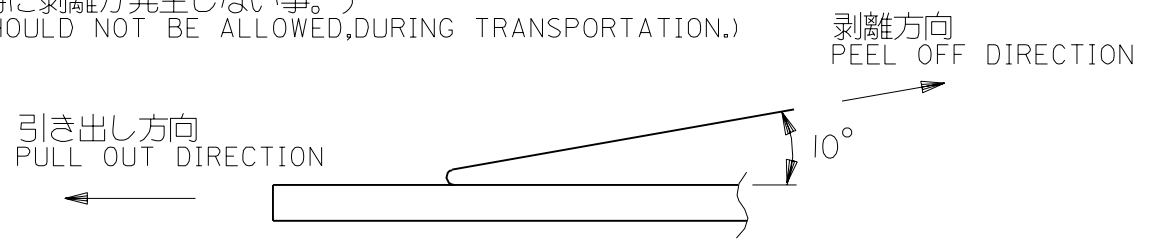
注)
NOTES

1. 製品番号500733-1999 詳細寸法については、製品単体図面を参照下さい。
IN THE PACKAGE PART NUMBER 500733-1999 DETAILED DIMENSIONS, SEE SALES DRAWING FOR CONNECTOR.
2. 梱包数量：900個/リール
NUMBER OF CONNECTORS:900 PCS/REEL.
3. リードテープ長さ
LEAD TAPE LENGTH



4. トップテープの剥離強度：(剥離方向は下図参照)
PEELING OFF FORCE OF TOP TAPE (PELLING DIRECTION AS SHOWN IN FOLLOWING FIGIRE.)
0.1~1.3N (10~130gf)

尚、本規格値は、出荷時に適用。
THIS REQUIREMENT SHOULD BE APPLIED AT SHIPMENT.
(但し、輸送時に剥離が発生しない事。)
(PEEL OFF SHOULD NOT BE ALLOWED,DURING TRANSPORTATION.)



MATERIAL
キャリアテープ：ポリプロピレン (PP)
CARRIER TAPE:POLYPROPYLENE(PP)
トップテープ：PET, PE, PEF
TOP TAPE:PET,PE,PEF
リール：ポリスチレン (黒色)
REEL:POLYSTYRENE(COLOR:BLACK)

無鉛
LEAD FREE

500733-1991	
MATERIAL NO.	
DIMENSIONS:	SHT REV
<input type="checkbox"/> mm <input type="checkbox"/> INCH	<input checked="" type="checkbox"/> mm ONLY
REVISE ON CAD ONLY	

DO NOT SCALE DRAWING

EC NO. DRWN: CH'K: APPR:	EC NO. DRWN: CH'K: APPR:	EC NO. DRWN: CH'K: APPR:	EC NO. DRWN: CH'K: APPR:	EC NO. DRWN: CH'K: APPR:	RELEASED '04/01/28 EC NO. J2004-2145 DRWN:Y.HASEGAWA CH'K: H.HIRATA APPR:M.SASAO	DESCRIPTION
						MATERIAL 材料
						FINISH 仕上げ
						WIRE RANGE 適用電線範囲
						INS. RANGE 被覆外径

GENERAL TOLERANCES: (UNLESS SPECIFIED) 一般公差	SCALE NONE	DESIGN UNITS <input checked="" type="checkbox"/> mm <input type="checkbox"/> INCH
10 UNDER 未満	±0.2	
10 OVER 以上 30 UNDER 未満	±0.25	
30 OVER 以上	±0.3	
ANGLE 角度	±3°	

DRAWN BY & DATE Y.HASEGAWA '04/01/28	TITLE: 500733 TAPING PACKAGE
CHECKED BY & DATE H.HIRATA '04/01/28	
APPROVED BY & DATE M.SASAO '04/01/28	
CAD FILENAME SD-500733-006.S01	

MOLEX INCORPORATED	
MATERIAL NO. SEE CHART	DRAWING NO. SD-500733-006
SHEET NO. 1 OF 1	
SIZE B	

THIS DRAWING CONTAINS INFORMATION THAT IS PROPRIETARY TO MOLEX INCORPORATED AND SHOULD NOT BE USED WITHOUT WRITTEN PERMISSION.