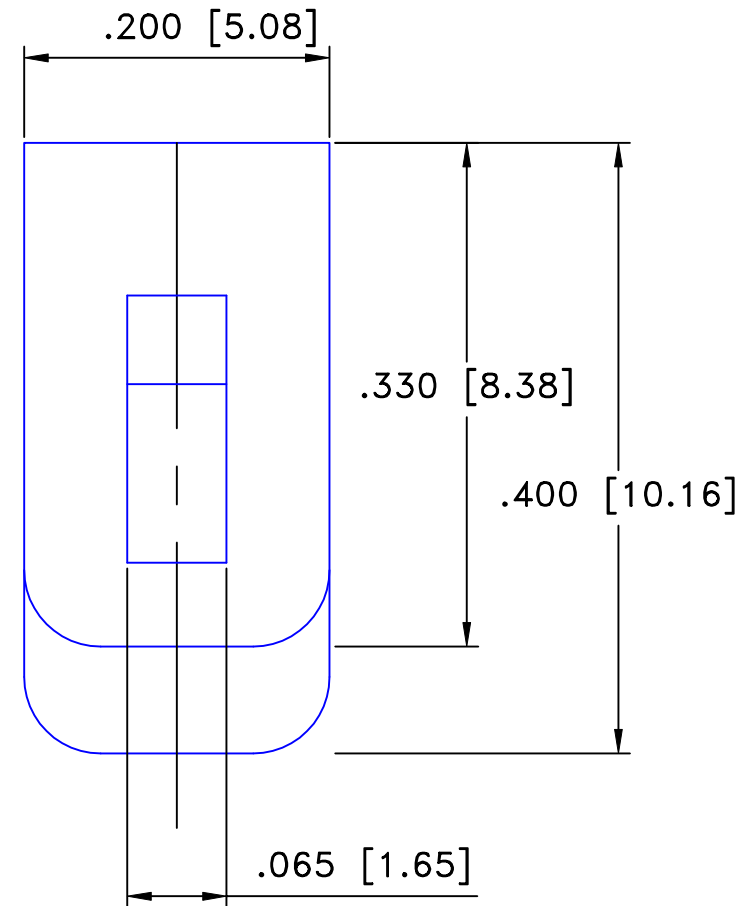
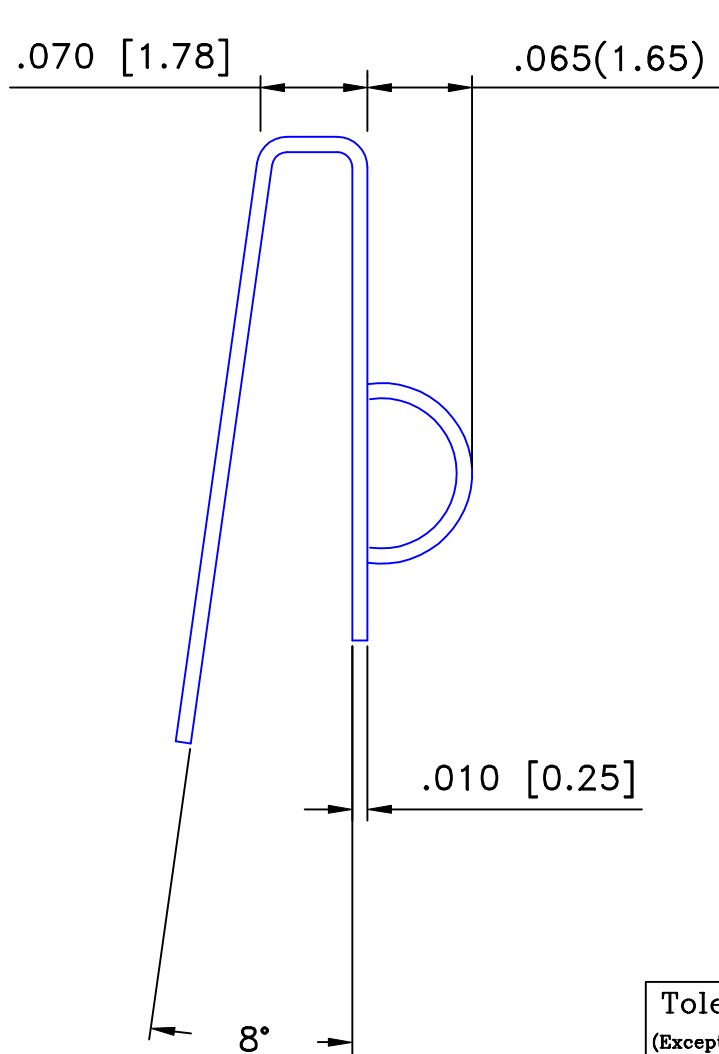



Date	SYM	REVISION RECORD	AUTH	DR.	CK.



MATERIAL:
 .010" SPRING STEEL, NICKEL PLATED

Tolerance (Except as noted)	 Memory protection Devices, Inc 200 Broad Hollow Road, Farmingdale, New York 11735
decimal ±.5 (.020)	
Fractional ± .8 (.030)	Title BATTERY CLIP
Angular ± 3°	Date 3/24/01
	Drawing Number F04
	Scale 8=1
	Drawn By T.S. Approved By T.B.