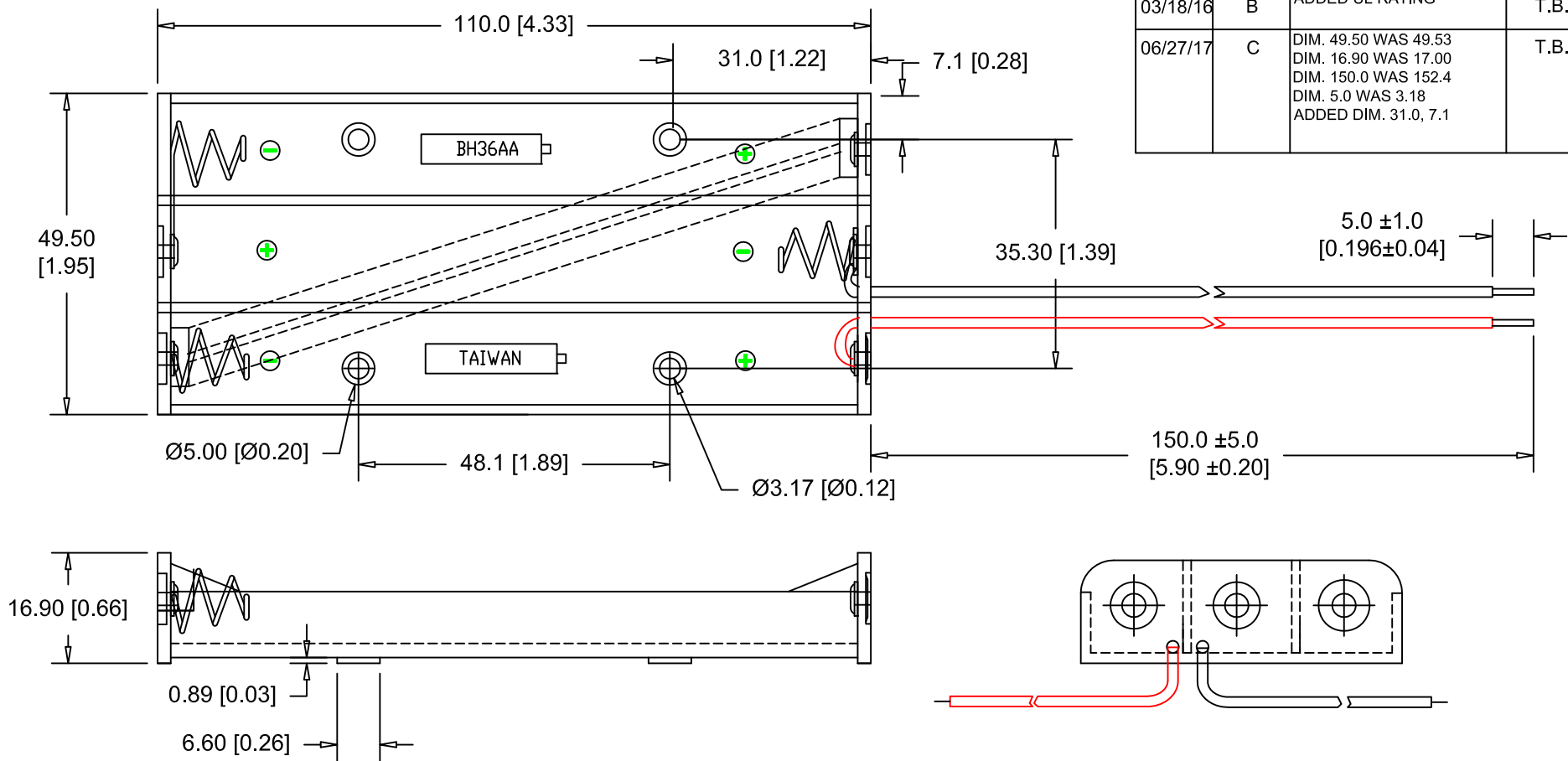



Date	SYM	REVISION RECORD	AUTH	DR.	CK.
07/19/13	A	UPDATED TO ROHS 2 COMPLIANT	T.B.	B.S.	
03/18/16	B	ADDED UL RATING	T.B.	B.S.	
06/27/17	C	DIM. 49.50 WAS 49.53 DIM. 16.90 WAS 17.00 DIM. 150.0 WAS 152.4 DIM. 5.0 WAS 3.18 ADDED DIM. 31.0, 7.1	T.B.	B.S.	



SPECIFICATIONS :

Plastic material - High impact ABS, Type PA-707, UL94-HB
 Springs - nickel plated spring steel
 Rivets - Brass, nickel plated
 Wire: 26AWG, UL1007, CSA, TR-64, 300V, 80°C
 Contact Resistance: Under 50mΩ for +/- contacts per EIA-540J000
 ROHS 2 COMPLIANT

Tolerance (Except as noted)	 Memory Protection Devices, Inc 200 Broad Hollow Road, Farmingdale, New York 11735		
decimal ±.5 (.020)	Scale	Drawn By B.S.	
Fractional ± .8 (.030)	Title SIX "AA" CELL HOLDER WITH WIRE LEADS		
Angular ± 3°	Date 06/27/17	Drawing Number BH36AAW	
		Approved By T.B.	