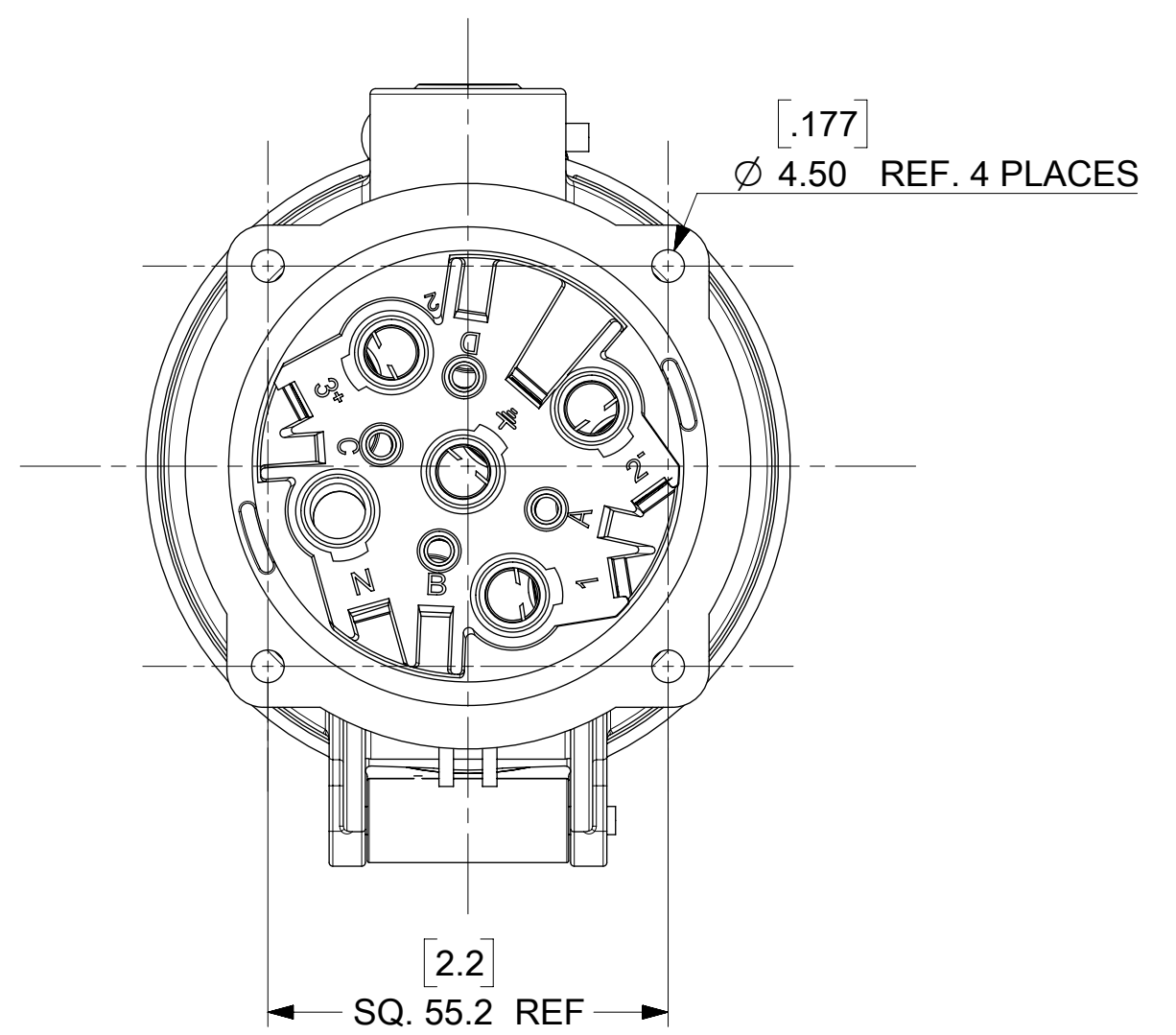
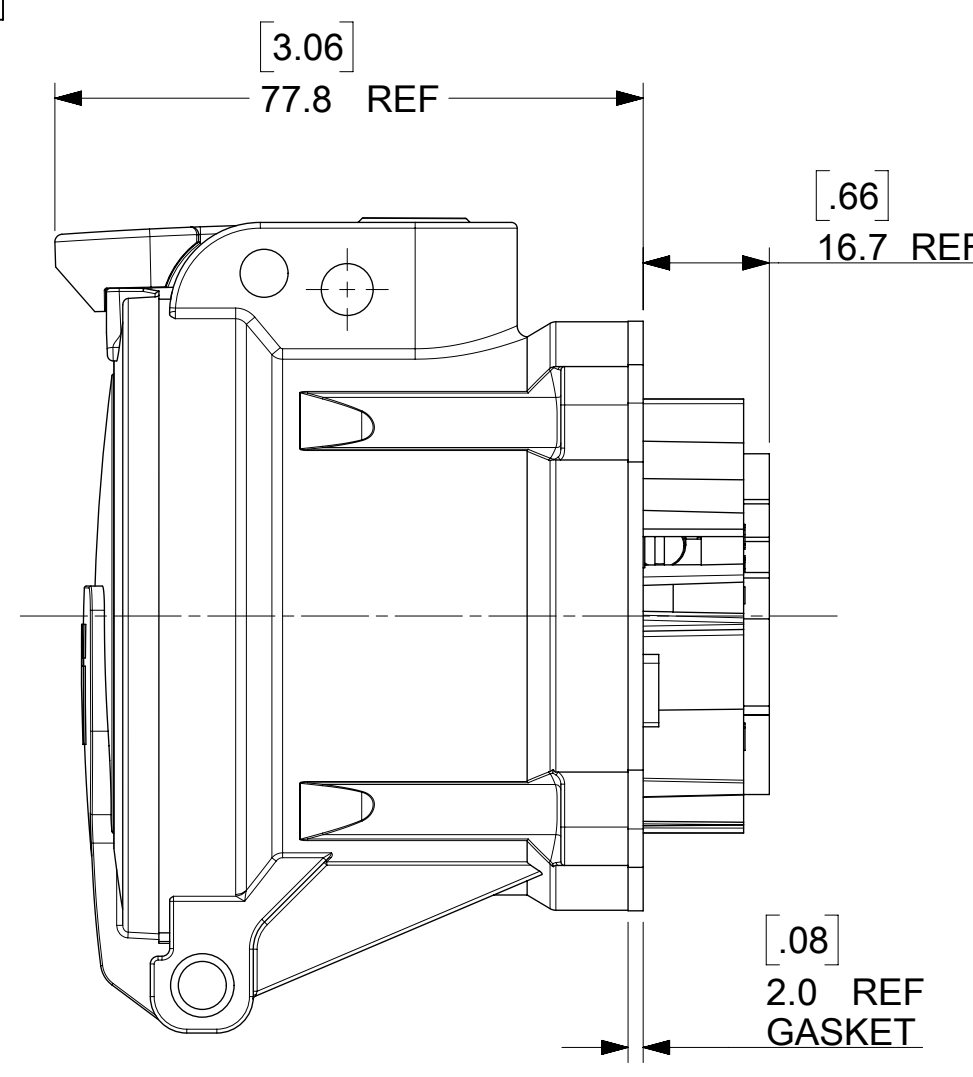
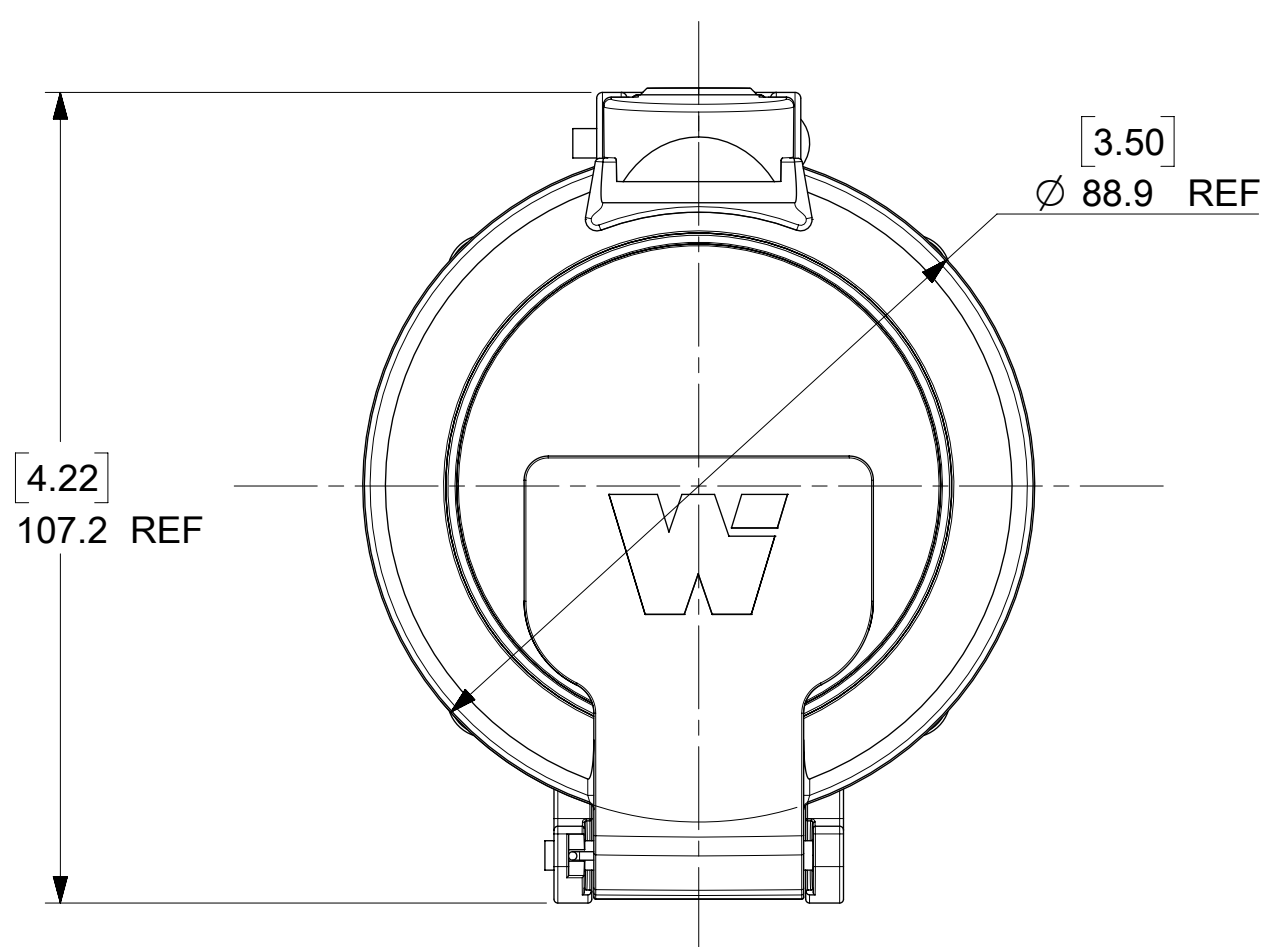
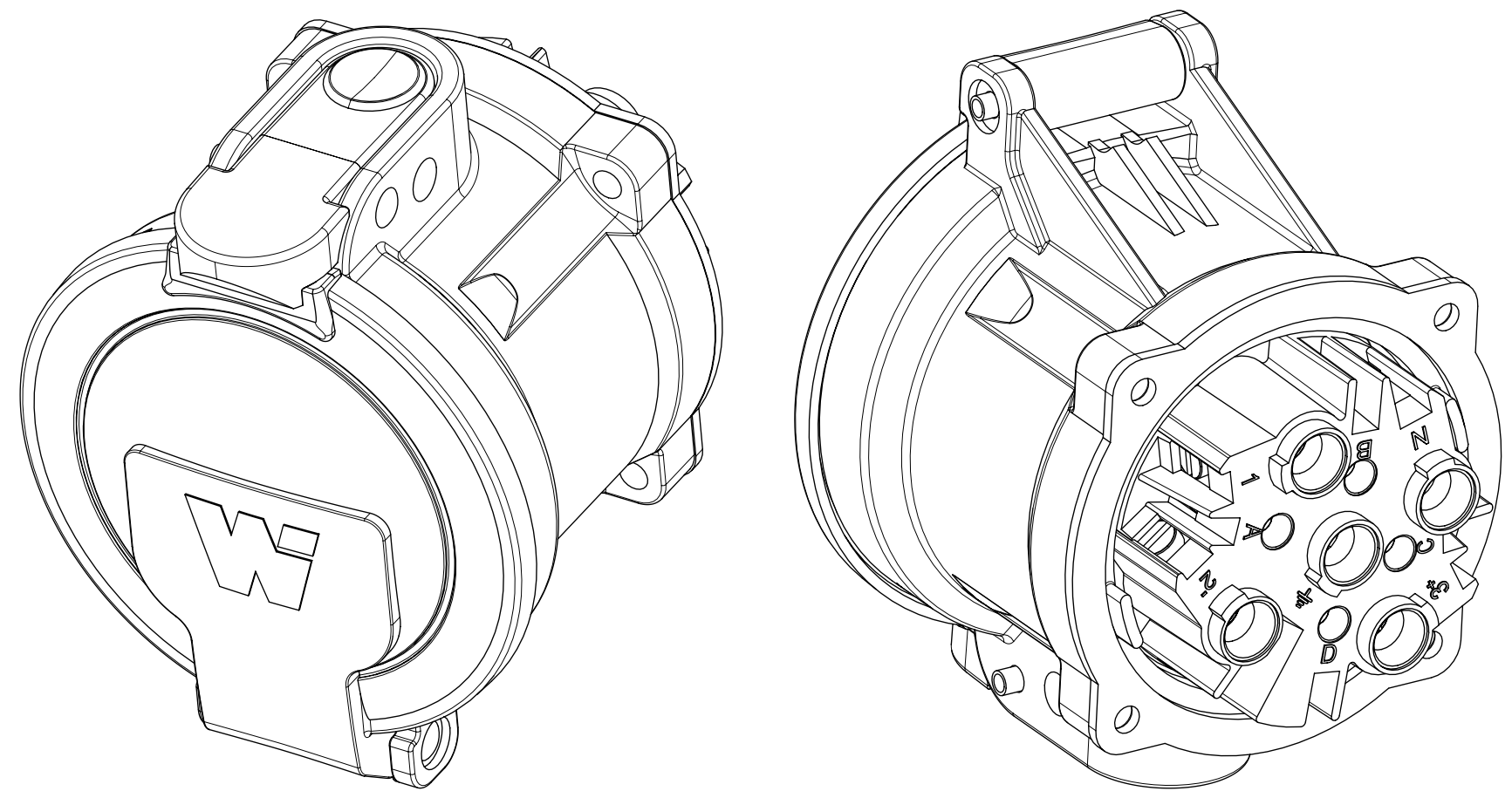


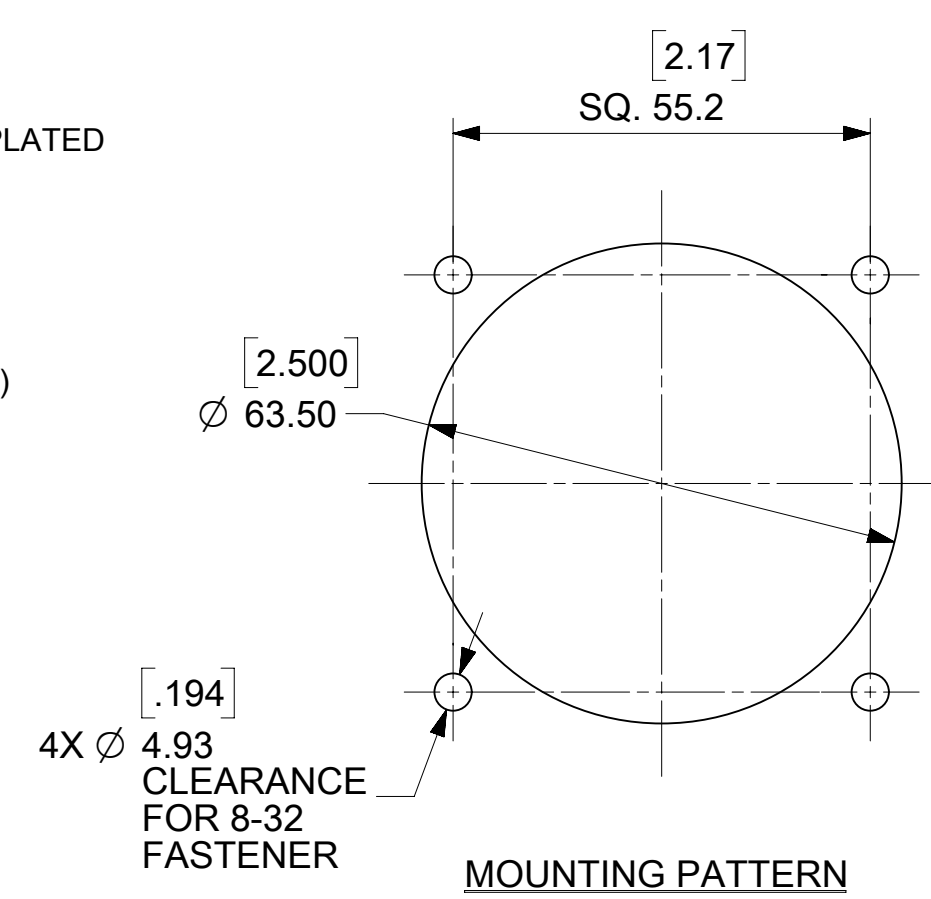
MATERIAL NUMBER	ENGINEERING NUMBER	DESCRIPTION	INSULATOR KEYING POSITION	HORSEPOWER RATING
1122170001	ARC60FA01	ARC 60A F 125VAC 1P+N+G	7	2 HP
1122170002	ARC60FB02	ARC 60A F 250VAC 2P+G		3 HP
1122170003	ARC60FB03	ARC 60A F 250VAC 3P+G		7.5 HP
1122170004	ARC60FAB04	ARC 60A F 125/250VAC 2P+N+G		NA
1122170005	ARC60FC02	ARC 60A F 208VAC 2P+G	16	NA
1122170006	ARC60FC03	ARC 60A F 208VAC 3P+G		7.5 HP
1122170007	ARC60FAC05	ARC 60A F 120/208VAC 3P+N+G		NA
1122170008	ARC60FD01	ARC 60A F 277VAC 1P+N+G	4	NA
1122170009	ARC60FE02	ARC 60A F 480VAC 2P+G		NA
1122170010	ARC60FE03	ARC 60A F 480VAC 3P+G		20 HP
1122170011	ARC60FDE05	ARC 60A F 277/480VAC 3P+N+G		NA
1122170012	ARC60FF02	ARC 60A F 600VAC 2P+G	14	NA
1122170013	ARC60FF03	ARC 60A F 600VAC 3P+G		20 HP
1122170014	ARC60FGF05	ARC 60A F 347/600VAC 3P+N+G		NA



**NOTES:**

**MATERIALS:**  
HOUSINGS AND INSULATORS: GLASS FILLED PBT  
CONTACTS: COPPER ALLOY WITH A SILVER NICKEL TIP, SILVER PLATED  
MOUNTING AND INTERFACE GASKETS: SILICONE

**RATINGS:**  
CURRENT: 60 AMPS  
VOLTAGE AND HORSEPOWER: SEE TABLE  
AMBIENT OPERATING TEMPERATURE: -25°C (-13°F) TO 60°C (140°F)  
(WITH MAX. 30°C RISE ABOVE AMBIENT)  
ENVIRONMENTAL: NEMA TYPE 4X & IP69K  
WIRING CAPACITY: 10 AWG MIN. TO 4 AWG MAX.  
TORQUE TERMINAL SCREWS TO 1.7 Nm (15 in-lbs)  
AGENCY: UL LISTING PENDING  
SCREW RATED RECEPTACLE/CONNECTOR  
BRANCH CIRCUIT DISCONNECT SWITCH  
MOTOR CIRCUIT DISCONNECT SWITCH IF HP RATED



**LASER MARKING FOR REF ONLY**  
REFER TO TABLE FOR PART NUMBER INFORMATION

**ELECTRICAL & ENVIRONMENTAL RATINGS**

**WORK ORDER NO.**

**Woodhead® ARC60FE03** ENGINEERING NO. **ARC60FE03 SHOWN**

60A, 480VAC, 3Φ  
20HP, TYPE 4X, IP69K

SWITCH RATED RECEPTACLE/CONNECTOR  
WXXXXXXXXXXXXX DOM: MM/DD/YY

DATE OF MANUFACTURER

THIS DRAWING CONTAINS INFORMATION THAT IS PROPRIETARY TO MOLEX ELECTRONIC TECHNOLOGIES, LLC AND SHOULD NOT BE USED WITHOUT WRITTEN PERMISSION									
DIMENSION UNITS		SCALE		CURRENT REV DESC: GENERAL MARKET RELEASE					
MM/INCH		1:1		<b>molex</b> 60A ARC ARREST RECEPTACLE / CONNECTOR PRODUCT CUSTOMER DRAWING DOCUMENT NUMBER: 1122170010 DOC TYPE: PSD DOC PART: 000 REVISION: A2 MATERIAL NUMBER: SEE TABLE CUSTOMER: GENERAL MARKET SHEET NUMBER: 1 OF 1					
GENERAL TOLERANCES (UNLESS SPECIFIED)									
	MM	INCH							
4 PLACES	±	±							
3 PLACES	±	± 0.01							
2 PLACES	± 0.25	± 0.02							
1 PLACE	± 0.5	± 0.04							
0 PLACES	± 1.0	±							
ANGULAR TOL		± 3.0 °		EC NO: 674097 DRWN: MJANTELEZIO 2021/08/17 CHK'D: WLEUNG 2021/08/17 APPR: WLEUNG 2021/08/17 INITIAL REVISION: DRWN: VBASUTHKARP 2018/02/21 APPR: JFMURPHY 2020/11/17					
DRAFT WHERE APPLICABLE MUST REMAIN WITHIN DIMENSIONS		THIRD ANGLE PROJECTION		DRAWING		SERIES		SHEET NUMBER	
		C-SIZE		112217		112217		1 OF 1	