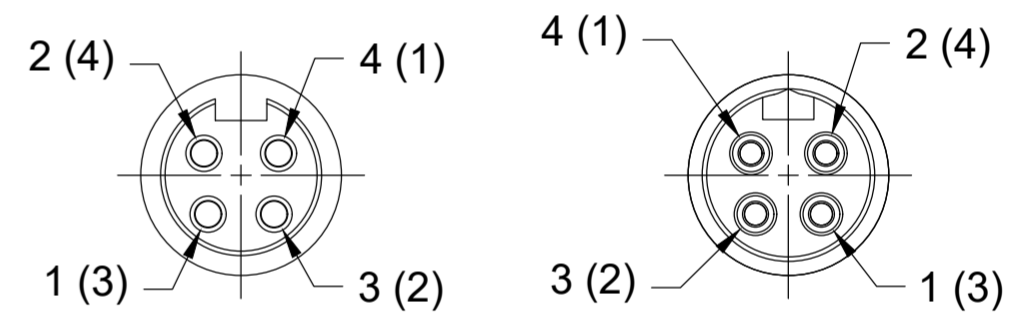
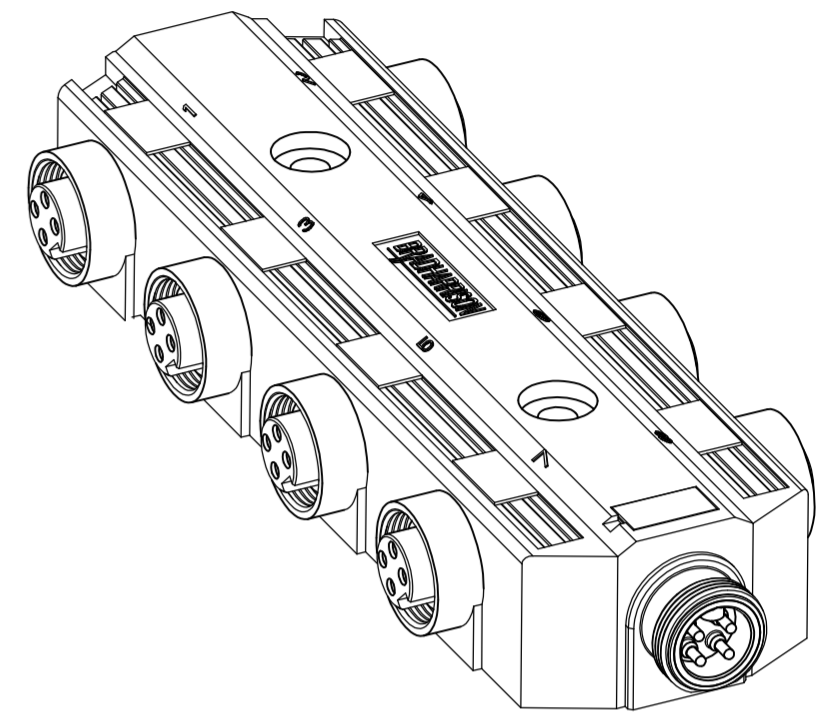


MATERIAL NUMBER	ENGINEERING NUMBER
1300600066	DNAUX8000



- NOTES:**
- MATERIAL: AS NOTED
 - FINISH: AS NOTED
 - ELECTRICAL:
VOLTAGE RATING: 600 VAC/VDC
CURRENT: 10A
 - TEMP RATING: 0° TO +60°C
 - PROTECTION: IP67 (WHEN MATED)
 - COUPLING THREAD- AS NOTED
 - UL LISTED FILE: E152210 (B)
 - ALL DIMENSIONS ARE FOR REFERENCE UNLESS TOLERANCED OR NOTED OTHERWISE
- CENELEC EN 50 044 PINOUT SHOWN
(SAE-J-1738A PINOUT SHOWN IN PARENTHESIS)

ITEM	COMPONENT	MATERIAL	FINISH
1	INSERT	TPE	YELLOW
2	CONTACT SOCKET	COPPER ALLOY	GOLD OVER NICKEL
3	CONTACT PIN	COPPER ALLOY	GOLD OVER NICKEL
4	RECEPTACLE SHELL	ZINC DIE CAST	BLACK E-COATED
5	HOUSING	PBT	YELLOW
6	LABEL	ABS	WHITE
	POTTING MATERIAL	EPOXY	TRANSLUCENT

FUNCTIONAL SYMBOLS				THIS DRAWING CONTAINS INFORMATION THAT IS PROPRIETARY TO MOLEX ELECTRONIC TECHNOLOGIES, LLC AND SHOULD NOT BE USED WITHOUT WRITTEN PERMISSION			
DIMENSION UNITS		SCALE		CURRENT REV DESC: ITEM# 1 WAS PVC. ADDED UL. ADDED DIM.			
INCH/MM		NTS					
GENERAL TOLERANCES (UNLESS SPECIFIED)				EC NO: 645633			
				DRWN: ABENJAMINLW 2020/09/09			
				CHK'D: RSTONE 2020/09/29			
				APPR: BWOODMAN 2020/10/23			
DIVISIONAL SYMBOLS				INITIAL REVISION:			
				DRWN: KJOZWIK 2010/01/25			
				APPR: JFMURPHY 2010/01/29			
ANGULAR TOL ± 0.5°				THIRD ANGLE PROJECTION		DRAWING SERIES	
DRAFT WHERE APPLICABLE MUST REMAIN WITHIN DIMENSIONS				C-SIZE		130060	
DOCUMENT NUMBER		DOC TYPE/DOC PART		REVISION			
SD-130060-011		PSD 001		B			
MATERIAL NUMBER		CUSTOMER		SHEET NUMBER			
SEE CHART		GENERAL MARKET		1 OF 1			