

PRODUCT SUMMARY

SKY87202: 3.5 A Constant On-Time, Step-Down DC-DC Converter

Applications

- Portable devices
- Access points
- Set top boxes

Features

- Input voltage range: 2.7 V to 6.0 V
- Two output voltage options:
 - Adjustable output voltage: 0.6 V to 3.3 V (SKY87202-11)
 - Fixed output voltage: 1.2 V (SKY87202-12)
- Up to 3.5 A continuous output current
- Switching frequency: 1.2 MHz
- 95% peak efficiency
- Typical switch on resistance: 50 mΩ PMOS, 40 mΩ NMOS
- 80% light load efficiency
- Power sequencing
- Cycle-by-cycle over-current protection
- Over-temperature protection
- Control loop stabilization with low ESR ceramic capacitors
- Soft start
- Low profile, QFN (12-pin, 2 mm × 2 mm) package (MSL1, 260 °C per JEDEC J-STD-020)

Description

The SKY87202 is a 1.2 MHz, 3.5 A constant on-time, synchronous step-down DC-DC converter. The device provides an output voltage from 0.6 V to 3.3 V from input voltage ranging from 2.7 V to 6.0 V, while keeping excellent line and load regulation and maximizing input efficiency.

The constant on-time control allows easy loop stabilization with minimal external components while providing fast transient response.

Power sequencing is controlled by the EN and PG pins.

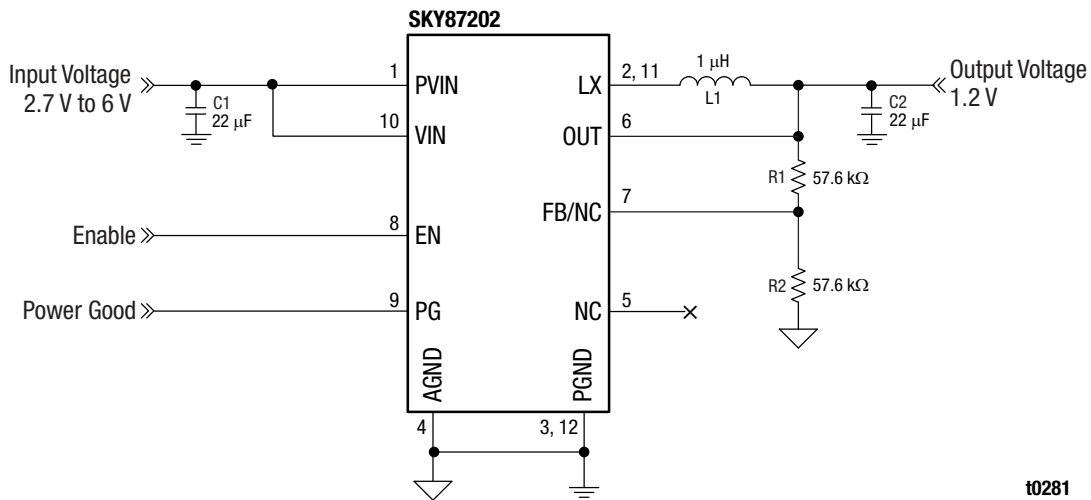
The SKY87202 has cycle-by-cycle current limits and thermal shutdown to protect against fault conditions.

The SKY87202 is available in a 12-pin, 2 mm × 2 mm Quad Flat No-Lead (QFN) package.

A typical application circuit is shown in Figure 1. The pin configuration and packages are shown in Figure 2. A functional block diagram of the SKY87202 is shown in Figure 3.

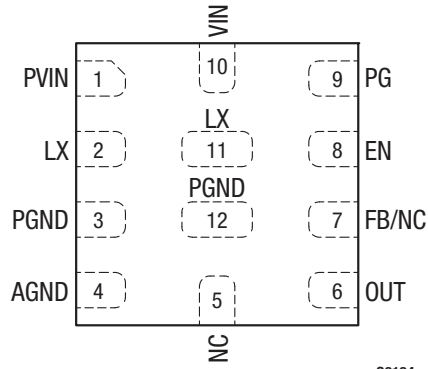


Skyworks Green™ products are compliant with all applicable legislation and are halogen-free. For additional information, refer to *Skyworks Definition of Green™*, document number SQ04-0074.



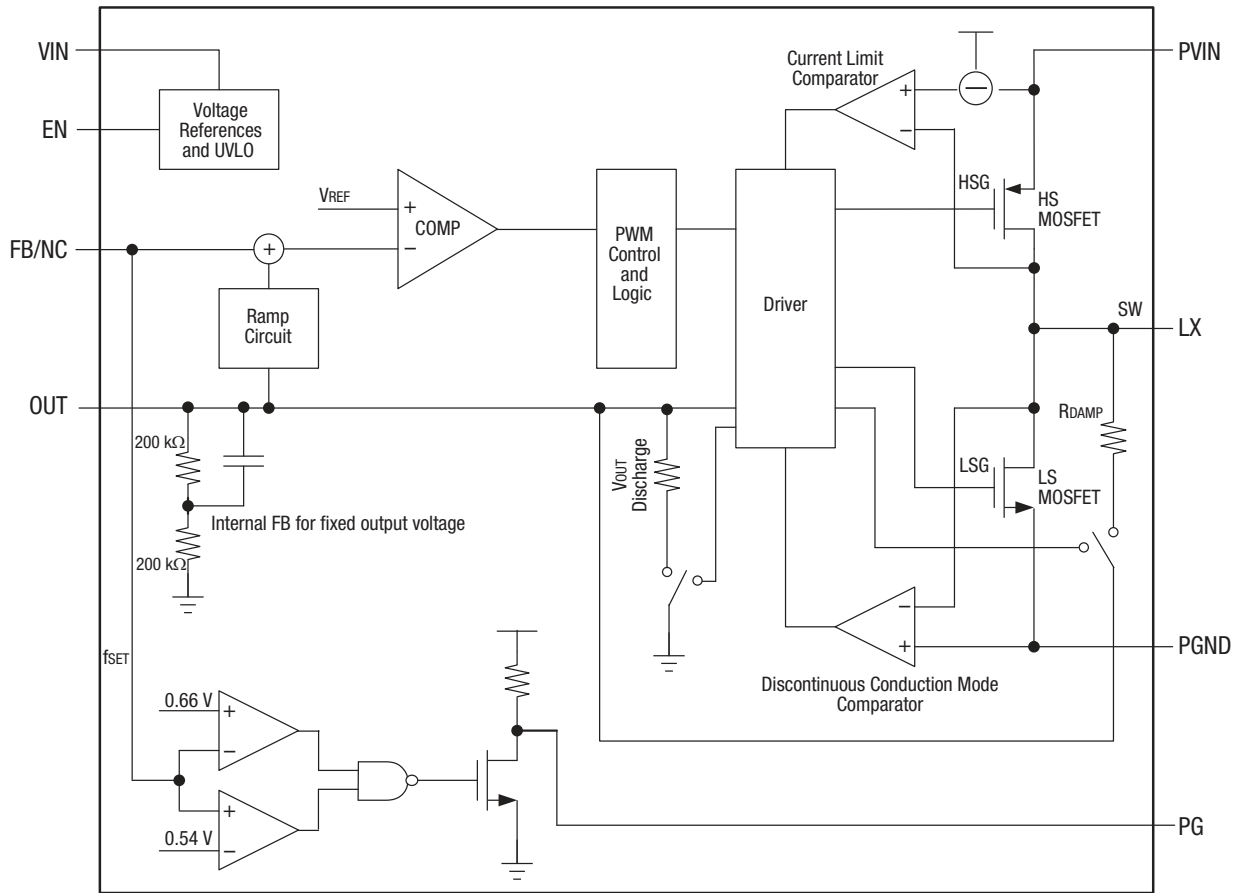
t0281

Figure 1. Typical Application Circuit



S3184

Figure 2. SKY87202-11/-12 Pinout – 12-Pin QFN Packages (Top View)



t0279

Figure 3. SKY87202 Functional Block Diagram

Ordering Information

Model Name	Manufacturing Part Number	Evaluation Board Part Number
SKY87202 step-down DC-DC converter	SKY87202-11-631LF (variable output voltage)	SKY87202-11-631LF-EVB
	SKY87202-12-631LF (fixed 1.2 V output voltage)	SKY87202-12-631LF-EVB

Copyright © 2012-2014 Skyworks Solutions, Inc. All Rights Reserved.

Information in this document is provided in connection with Skyworks Solutions, Inc. (“Skyworks”) products or services. These materials, including the information contained herein, are provided by Skyworks as a service to its customers and may be used for informational purposes only by the customer. Skyworks assumes no responsibility for errors or omissions in these materials or the information contained herein. Skyworks may change its documentation, products, services, specifications or product descriptions at any time, without notice. Skyworks makes no commitment to update the materials or information and shall have no responsibility whatsoever for conflicts, incompatibilities, or other difficulties arising from any future changes.

No license, whether express, implied, by estoppel or otherwise, is granted to any intellectual property rights by this document. Skyworks assumes no liability for any materials, products or information provided hereunder, including the sale, distribution, reproduction or use of Skyworks products, information or materials, except as may be provided in Skyworks Terms and Conditions of Sale.

THE MATERIALS, PRODUCTS AND INFORMATION ARE PROVIDED “AS IS” WITHOUT WARRANTY OF ANY KIND, WHETHER EXPRESS, IMPLIED, STATUTORY, OR OTHERWISE, INCLUDING FITNESS FOR A PARTICULAR PURPOSE OR USE, MERCHANTABILITY, PERFORMANCE, QUALITY OR NON-INFRINGEMENT OF ANY INTELLECTUAL PROPERTY RIGHT; ALL SUCH WARRANTIES ARE HEREBY EXPRESSLY DISCLAIMED. SKYWORKS DOES NOT WARRANT THE ACCURACY OR COMPLETENESS OF THE INFORMATION, TEXT, GRAPHICS OR OTHER ITEMS CONTAINED WITHIN THESE MATERIALS. SKYWORKS SHALL NOT BE LIABLE FOR ANY DAMAGES, INCLUDING BUT NOT LIMITED TO ANY SPECIAL, INDIRECT, INCIDENTAL, STATUTORY, OR CONSEQUENTIAL DAMAGES, INCLUDING WITHOUT LIMITATION, LOST REVENUES OR LOST PROFITS THAT MAY RESULT FROM THE USE OF THE MATERIALS OR INFORMATION, WHETHER OR NOT THE RECIPIENT OF MATERIALS HAS BEEN ADVISED OF THE POSSIBILITY OF SUCH DAMAGE.

Skyworks products are not intended for use in medical, lifesaving or life-sustaining applications, or other equipment in which the failure of the Skyworks products could lead to personal injury, death, physical or environmental damage. Skyworks customers using or selling Skyworks products for use in such applications do so at their own risk and agree to fully indemnify Skyworks for any damages resulting from such improper use or sale.

Customers are responsible for their products and applications using Skyworks products, which may deviate from published specifications as a result of design defects, errors, or operation of products outside of published parameters or design specifications. Customers should include design and operating safeguards to minimize these and other risks. Skyworks assumes no liability for applications assistance, customer product design, or damage to any equipment resulting from the use of Skyworks products outside of stated published specifications or parameters.

Skyworks, the Skyworks symbol, and “Breakthrough Simplicity” are trademarks or registered trademarks of Skyworks Solutions, Inc., in the United States and other countries. Third-party brands and names are for identification purposes only, and are the property of their respective owners. Additional information, including relevant terms and conditions, posted at www.skyworksinc.com, are incorporated by reference.