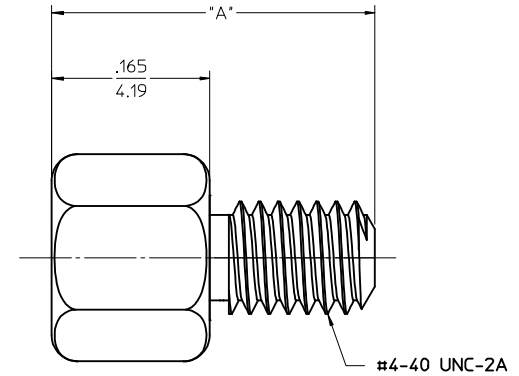
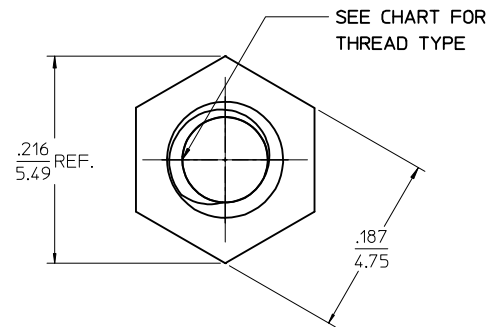
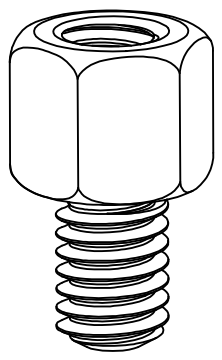


MAT'L NO.	INTERNAL THREAD	DIM. "A"	MATERIAL / PLATING
74962-0001	4-40 UNC-2B	.338 / 8.60	1215 STEEL
74962-0002	M3x0.5 CLASS 6H	.338 / 8.60	ZN CLEAR TRIVALENT CHROMATE
74962-0003	4-40 UNC-2B	.378 / 9.60	1215 STEEL
74962-0004	M3x0.5 CLASS 6H	.378 / 9.60	ZN CLEAR TRIVALENT CHROMATE

NOTES:
 1. PARTS ARE PACKAGED IN POLY BAGS CONSISTING OF 40 PIECES.
 2. INTERNAL AND EXTERNAL THREADS TO WITHSTAND A MINIMUM APPLIED TORQUE OF 5 lbf in/5.76 kgf cm.

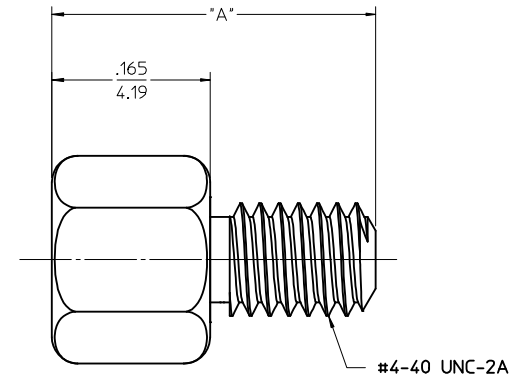
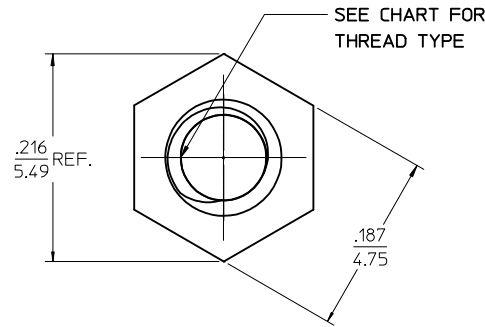
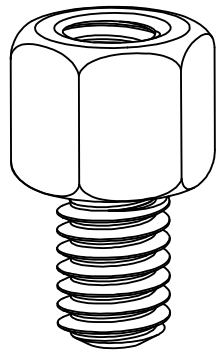


CHANGED MATERIAL EC NO: UCP2009-2659 DRWN: JIANTELEZ 4/28/09 CHKD: 2009/06/09 APPR: MBANAKIS2009/06/09	QUALITY SYMBOLS	GENERAL TOLERANCES (UNLESS SPECIFIED)	SCALE 10:1	DESIGN UNITS INCH	THIRD ANGLE PROJECTION	REVISE ON CAD ONLY															
	▼ - 0 ∇ - 0	<table border="1"> <thead> <tr> <th></th> <th>mm</th> <th>INCH</th> </tr> </thead> <tbody> <tr> <td>4 PLACES</td> <td>± ---</td> <td>± ---</td> </tr> <tr> <td>3 PLACES</td> <td>± ---</td> <td>± .010</td> </tr> <tr> <td>2 PLACES</td> <td>± 0.25</td> <td>± ---</td> </tr> <tr> <td>1 PLACE</td> <td>± ---</td> <td>± ---</td> </tr> </tbody> </table>		mm	INCH	4 PLACES	± ---	± ---	3 PLACES	± ---	± .010	2 PLACES	± 0.25	± ---	1 PLACE	± ---	± ---	DIMENSION STYLE IN/MM		TITLE TDP 3/16" HEX JACKPOST	
			mm	INCH																	
	4 PLACES	± ---	± ---																		
3 PLACES	± ---	± .010																			
2 PLACES	± 0.25	± ---																			
1 PLACE	± ---	± ---																			
DRAFT WHERE APPLICABLE MUST REMAIN WITHIN DIMENSIONS		DRAWN BY TMCLELL DATE 03/03/11 CHECKED BY DATE	MOLEX INCORPORATED MATERIAL NO. SEE CHART DOCUMENT NO. SD-74962-000 SHEET NO. 1 OF 1																		
		APPROVED BY MBANAKIS DATE 08/11/17		THIS DRAWING CONTAINS INFORMATION THAT IS PROPRIETARY TO MOLEX INCORPORATED AND SHOULD NOT BE USED WITHOUT WRITTEN PERMISSION																	

MAT'L NO.	INTERNAL THREAD	DIM. "A"	MATERIAL / PLATING
74962-1000	4-40 UNC-2B	.338 / 8.60	STAINLESS STEEL 303
74962-2000	M3x0.5 CLASS 6H	.338 / 8.60	
74962-3000	4-40 UNC-2B	.378 / 9.60	STAINLESS STEEL 303
74962-4000	M3x0.5 CLASS 6H	.378 / 9.60	
74962-0005	4-40 UNC-2B	.421 / 10.69	STAINLESS STEEL 303
74962-0006	M3x0.5 CLASS 6H	.421 / 10.69	

NOTES:

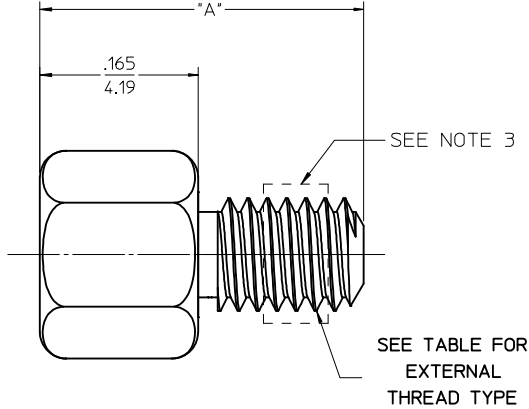
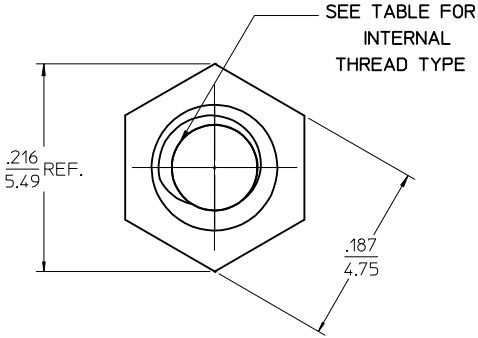
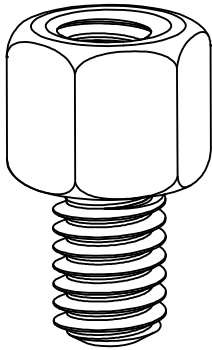
- PARTS ARE PACKAGED IN POLY BAGS CONSISTING OF 40 PIECES.
- INTERNAL AND EXTERNAL THREADS TO WITHSTAND A MINIMUM APPLIED TORQUE OF 5 lbf in/5.76 kgf cm.



INITIAL RELEASE EC NO: UCP2015-0921 DRWNT: IBARRA 2014/08/01 CHKD: MPOFF 2014/08/29 APPR: SMILLER 2014/09/04	QUALITY SYMBOLS 	GENERAL TOLERANCES (UNLESS SPECIFIED)		DIMENSION STYLE IN/MM	SCALE 10:1	DESIGN UNITS INCH	THIRD ANGLE PROJECTION		
		4 PLACES ± --- ± ---	3 PLACES ± --- ± .010	DRAWN BY TIBARRA	DATE 2014/08/01	TITLE TDP 3/16" HEX JACKPOST			
		2 PLACES ± 0.25 ± ---	1 PLACE ± --- ± ---	CHECKED BY MPOFF	DATE 2014/08/29				
		0 PLACE ± ±	ANGULAR ±1/2°	APPROVED BY SMILLER	DATE 2014/09/04	MATERIAL NO. SEE TABLE	DOCUMENT NO. SD-74962-1000	SHEET NO. 1 OF 1	
A	DRAFT WHERE APPLICABLE MUST REMAIN WITHIN DIMENSIONS	SIZE		THIS DRAWING CONTAINS INFORMATION THAT IS PROPRIETARY TO MOLEX INCORPORATED AND SHOULD NOT BE USED WITHOUT WRITTEN PERMISSION					

13	12	11	10	9	8	7	6	5	4	3	2	1
MAT'L NO.	INTERNAL THREAD	EXTERNAL THREAD	DIM. "A"	MATERIAL / PLATING								
74962-1110	4-40 UNC-2B	4-40 UNC-2A	.338 / 8.60	STAINLESS STEEL 303 / NYLON TORQUE PATCH								

- NOTES:
- PARTS ARE PACKAGED IN POLY BAGS CONSISTING OF 40 PIECES.
 - INTERNAL AND EXTERNAL THREADS TO WITHSTAND A MINIMUM APPLIED TORQUE OF 5 lbf in/5.76 kgf cm.
 - NYLOK® TORQUE PATCH LOCATED TO THE LEFT OF THE FIRST OR SECOND FULL THREADS AND COVERS 3 THREADS MINIMUM.



MOD NOTE 3 EC NO: UCP2016-1139 DRWN: TIBARRA CHKD: MCAN APPR: MILLER	2015/09/14 2015/09/14 2015/09/17	QUALITY SYMBOLS	GENERAL TOLERANCES (UNLESS SPECIFIED)		DIMENSION STYLE	SCALE	DESIGN UNITS	THIRD ANGLE PROJECTION
		▽=0	mm	INCH	IN/MM	10:1	INCH	TDP 3/16" HEX JACKPOST WITH TORQUE PATCH molex SD-74962-1110
		▽=0	4 PLACES ± .005	± .010	TIBARRA	2015/07/09	DRAWN BY DATE CHECKED BY DATE APPROVED BY DATE SMILLER 2015/08/14	
		▽=0	3 PLACES ± .005	± .010	DMORGAN	2017/07/09		
▽=0	2 PLACES ± 0.25	± .010	APPROVED BY DATE	SMILLER 2015/08/14				
REV	DESCRIPTION	ANGULAR ±1/2°	DRAFT WHERE APPLICABLE MUST REMAIN WITHIN DIMENSIONS		MATERIAL NO.	DOCUMENT NO.	SHEET NO.	
B					SEE TABLE	SD-74962-1110	1 OF 1	
THIS DRAWING CONTAINS INFORMATION THAT IS PROPRIETARY TO MOLEX INCORPORATED AND SHOULD NOT BE USED WITHOUT WRITTEN PERMISSION								