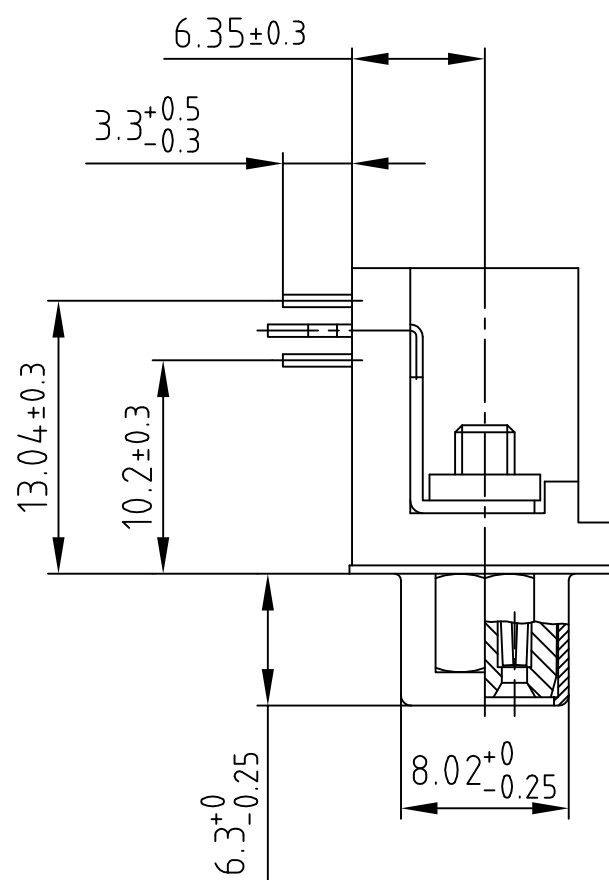
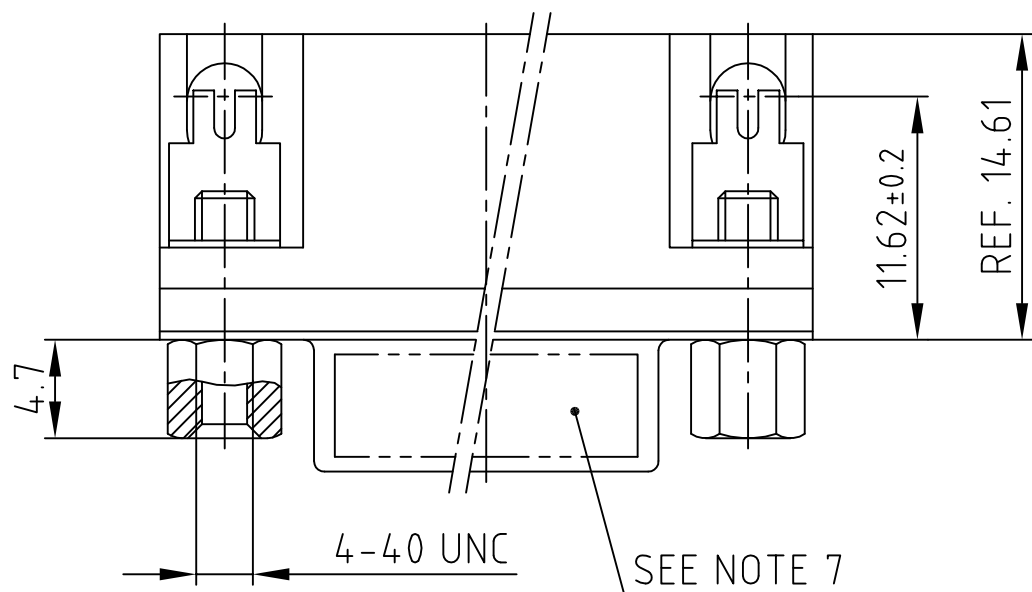
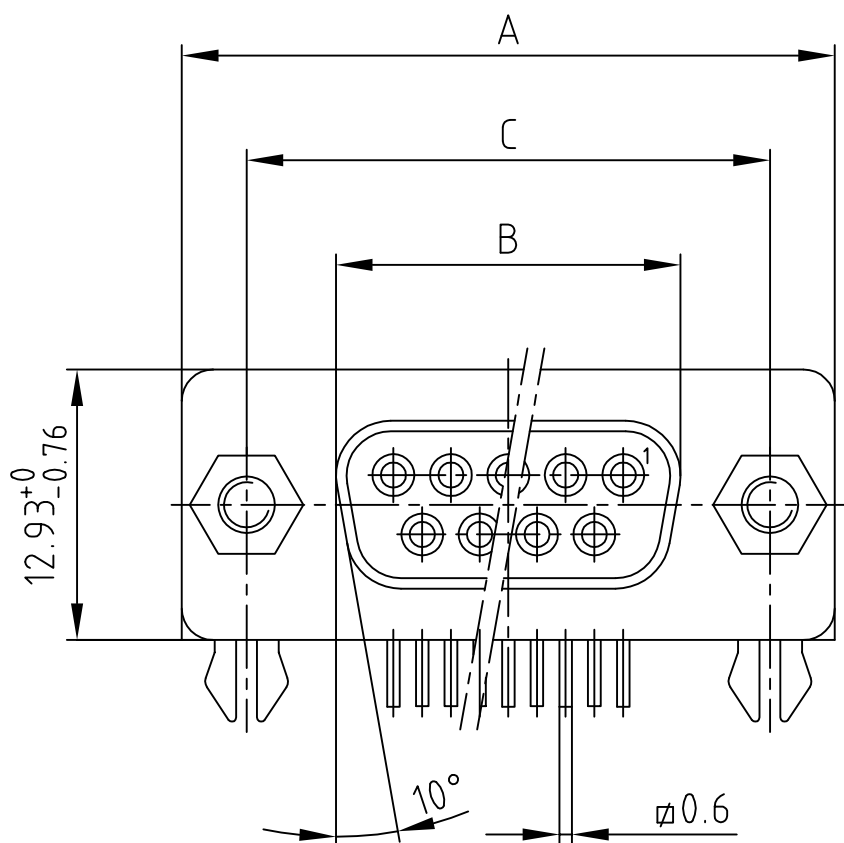


used for: D-SUB

POS.	A -0.76	B -0.25	C	Part NO.
9	31.19	16.46	25.00 $\begin{smallmatrix} +0.12 \\ -0.13 \end{smallmatrix}$	302A10779X
15	39.52	24.79	33.30 $\begin{smallmatrix} +0.15 \\ -0.1 \end{smallmatrix}$	302A10789X
25	53.42	38.50	47.04 ± 0.13	302A10799X
37	69.70	54.96	63.50 ± 0.13	302A10809X



NOTES:

1. METALSHELLS: STEEL; min. 320µin TIN
2. INSULATORS: PBT GF UL 94 V-0; BLACK
3. CONTACTS: COPPER ALLOY
PLATING: 8µin HARD GOLD over min. 50µin NICKEL
4. PCB-SNAP: COPPER ALLOY; min. 200µin TIN over 80µin NICKEL
PCB-HOLE: $\phi 3.1 \pm 0.1$; PCB THICKNESS 1.6mm
5. P.C.B. HOLE DRILLINGS ON DRAWING NO.: 16K111UA
6. MAXIMUM TORQUE VALUE FOR THREAD: 6 in.LB
7. CONNECTOR IS PART MARKED: PART-NO. CONEC ABC

Directive 2002/95/EC RoHS compliant

APPROVAL # FREIGABE # DEBLOCAGE # AUTORIZACION # APPROVAL	
CUSTOMER APPROVAL DATE:	
NAME:	TITLE:
COMPANY NAME:	
APPROVAL # FREIGABE # DEBLOCAGE # AUTORIZACION # APPROVAL	

THIS DRAWING MAY NOT BE COPIED OR REPRODUCED IN ANY WAY, AND MAY NOT BE PASSED ON TO A THIRD PARTY WITHOUT WRITTEN PERMISSION.
 OWNERSHIP AND COPYRIGHT OF CONEC GmbH
 DO NOT ALTER CAD DRAWING BY HAND

				tolerance		dim. in mm		scale: 2:1			
								material: SEE NOTES			
								title:			
				2004		date		D-SUB FEMALE 90° 9-37pos. stamped contacts with threaded lock and clip			
				drawn		04.05.				Schmidt	
				appd.		04.05.				Mickenbecker	
				norm							
				d-old							
				a		Origin		dwg no: AutoCAD 2004 16K1A1150 DIN-A 4 sh: 1/1			
				rev.		description				date	
				name				part no: SEE TABLE			

