

NOTES :

1. MATERIAL :  
 HOUSING : HIGH TEMPERATURE NYLON , GLASS FIBRE FILLED, UL94-V0 , COLOR: BLACK  
 TERMINAL : PHOSPHOR BRONZE  
 METAL SHELL : DEEP DRAWN STEEL

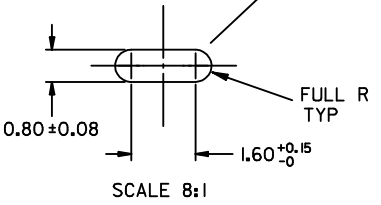
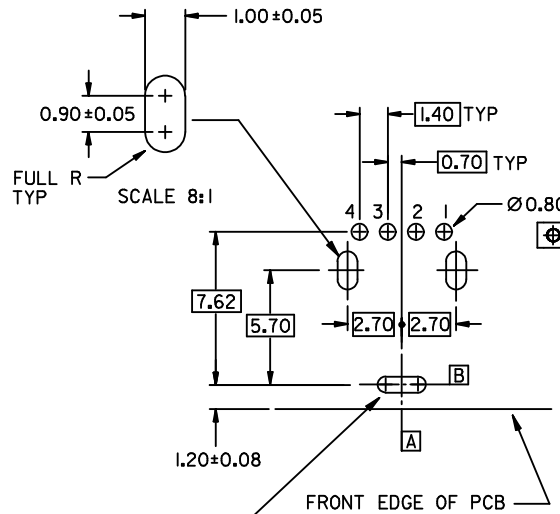
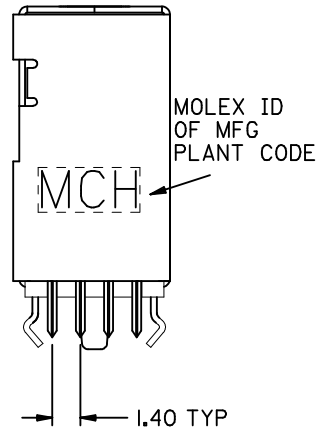
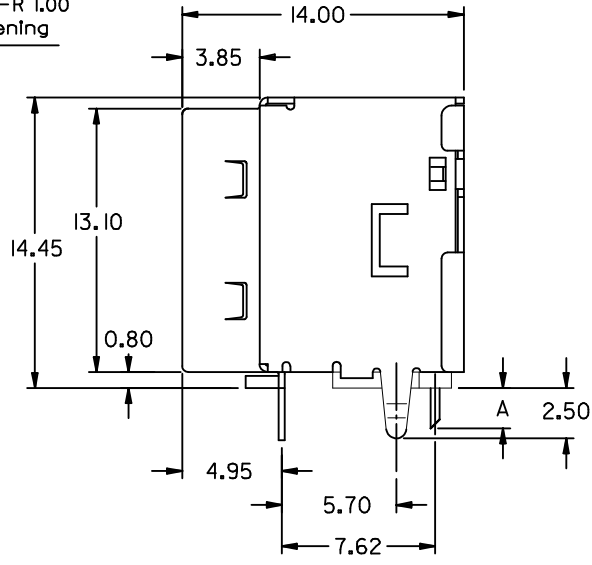
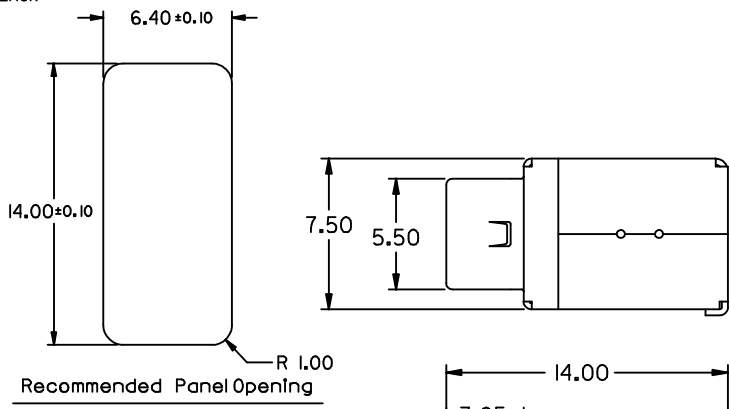
2. PLATING :  
 TERMINAL :  
 CONTACT AREA : (a) GOLD FLASH.  
 (b) GOLD (Au), THICKNESS = 30 MICROINCH MINIMUM.  
 SOLDER TAIL :  
 PURE TIN THICKNESS= 75 MICROINCH MINIMUM .  
 UNDER PLATE : NICKEL (Ni), THICKNESS= 50 MICROINCH MINIMUM.

METAL SHELL :  
 NICKEL (Ni) , THICKNESS= 80 MICROINCH MINIMUM.  
 UNDER PLATE : COPPER (Cu) , THICKNESS= 100 MICROINCH MINIMUM.

3 RECOMMENDED PCB THICKNESS : 1.20±0.05 mm

4 PRODUCT SPECIFICATION : REFER TO PS-89485

DIMENSION "A"	P/N LEGEND:	
2.00 <sup>+0.35</sup> <sub>-0.15</sub>	89485-8030	GOLD FLASH PLATING ON CONTACT AREA
	89485-8031	30 MICRO INCH GOLD PLATING ON CONTACT AREA



NEW RELEASE EC NO: SH2005-0132 DRWN: DAVID HU 2004/10/28 CHKD: 2004/12/02 APPR: YIYAP 2004/12/02 REV:	QUALITY SYMBOLS ▽=0 ◻=0	GENERAL TOLERANCES (UNLESS SPECIFIED) <table border="1"> <tr> <th></th> <th>mm</th> <th>INCH</th> </tr> <tr> <td>4 PLACES</td> <td>± ---</td> <td>± ---</td> </tr> <tr> <td>3 PLACES</td> <td>± ---</td> <td>± ---</td> </tr> <tr> <td>2 PLACES</td> <td>± 0.25</td> <td>± .010</td> </tr> <tr> <td>1 PLACE</td> <td>± 0.25</td> <td>± .010</td> </tr> <tr> <td colspan="3">ANGULAR ± 3°</td> </tr> </table>		mm	INCH	4 PLACES	± ---	± ---	3 PLACES	± ---	± ---	2 PLACES	± 0.25	± .010	1 PLACE	± 0.25	± .010	ANGULAR ± 3°			DIMENSION STYLE MM ONLY DRAWN BY: DAVID HU DATE: 2004/10/28 CHECKED BY: _____ DATE: _____ APPROVED BY: _____ DATE: _____	SCALE 4:1 DESIGN UNITS METRIC THIRD ANGLE PROJECTION	TITLE SINGLE PORT UP-RIGHT USB CONNECTOR(FOR PCB ±=1.2mm) (LEAD-FREE)
		mm	INCH																				
	4 PLACES	± ---	± ---																				
	3 PLACES	± ---	± ---																				
2 PLACES	± 0.25	± .010																					
1 PLACE	± 0.25	± .010																					
ANGULAR ± 3°																							
DRAFT WHERE APPLICABLE MUST REMAIN WITHIN DIMENSIONS	MATERIAL NO. SEE TABLE	DOCUMENT NO. SD-89485-009	SHEET NO. 1 OF 1	MOLEX INCORPORATED																			
SIZE A3	THIS DRAWING CONTAINS INFORMATION THAT IS PROPRIETARY TO MOLEX INCORPORATED AND SHOULD NOT BE USED WITHOUT WRITTEN PERMISSION																						
A																							