

Materials

1. Insulator: Nylon PA46, black
2. Center terminal: C5191 brass, 2 μm nickel plated
3. Shell: C2700 brass, 2 μm nickel plated
4. Ground terminal: C2680 brass, 2 μm nickel plated

Electrical Requirements

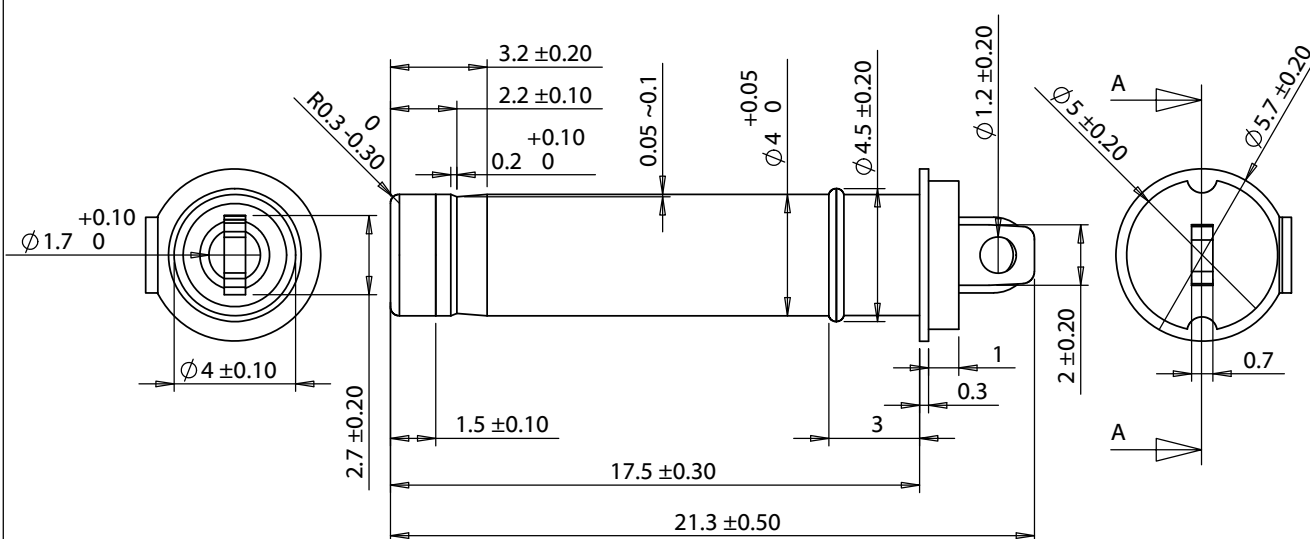
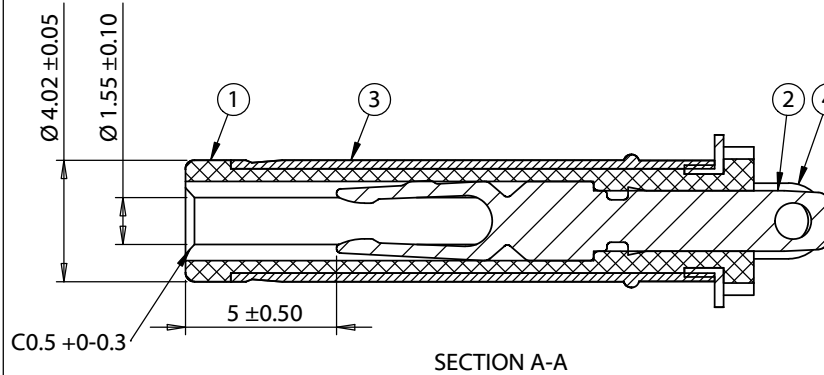
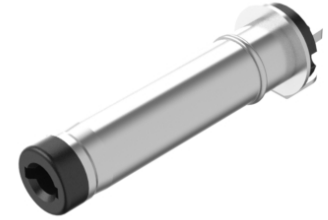
Dielectric strength: 1 min @ 500 Vac
 Insulation resistance: 100 MΩ @ 500 Vdc
 Contact resistance: 30 mΩ or less

Mechanical Requirements

Insertion force: 0.3-3 kgf
 Withdrawal force: 0.3-3 kgf
 Life cycle: 5000 mating cycles while maintaining 0.3 kgf min. insertion force, 0.2 kgf min. withdrawal force and less than 100 mΩ contact resistance.

Environmental Requirements

Heat test: 70 °C, relative humidity 70-85% for 96 hours while maintaining contact resistance: 100 mΩ or less, insulation resistance: 50 MΩ @ 500 Vdc, without looseness or deformation
 Humidity test: 40 °C, relative humidity 90-100% for 96 hours while maintainng dielectric strength: 1 min @ 500 Vac, insulation resistance: 50 MΩ @ 500 Vdc, contact resistance: 100 mΩ or less
 Salt spray test: 35 °C, relative humidity 90-95%, 5% NaCl mist for 24 hrs. Wash parts after test. Maintain mechanical requirements and a contact resistance of less than 80 mΩ.



Revision:	Date:	Description:
A	4/17/2019	Initial release

Prepared:	Notes:
GL <small>Digitally signed by GL Date: 2019.05.29 11:42:42 -07'00'</small>	RoHS compliant
Verified:	Function test: no open, no short circuit, no intermittent
AW <small>Digitally signed by AW Date: 2019.05.29 11:51:00 -07'00'</small>	Description:
Dimensions are in millimeters. Tolerances: X: ± 0.3 mm X.X: ± 0.1 mm X.XX: ± 0.1 mm	Connector, dc plug, 4.0x1.7x21.3 mm, dual solder tabs, spring contacts, nickel plated, 105 °C

TENSILITY
 tel 1.541.323.3228 800 877.670.7118
 fax 1.541.323.4202 web tensility.com

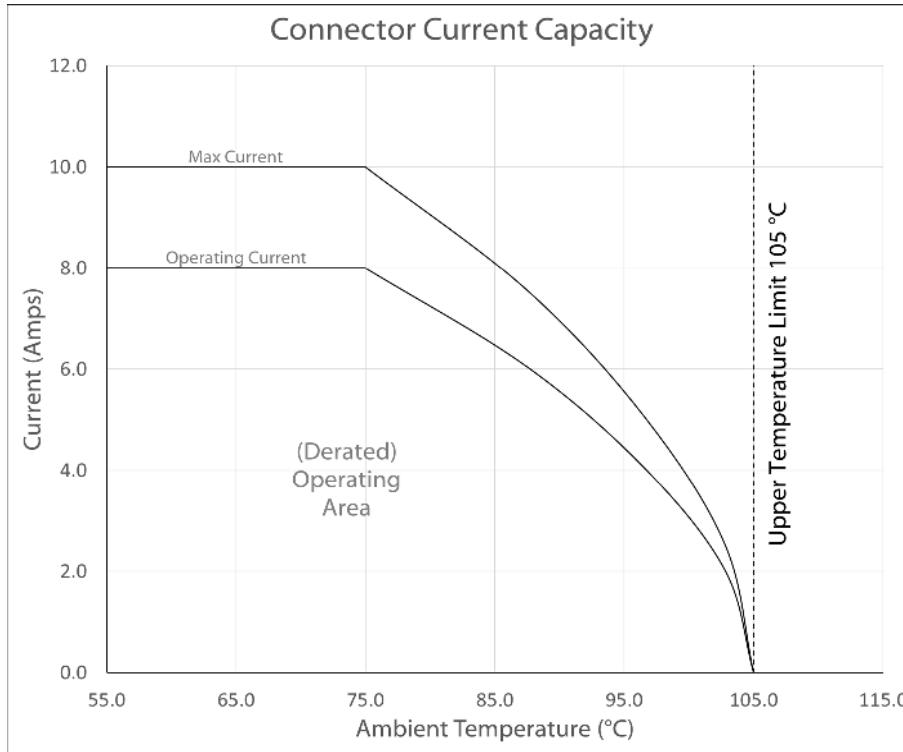
Size:	Part number:
A	50-00621
Scale: 4:1	Sheet 1 of 2

Ratings

Maximum Operating Voltage: 48 Vdc
 Maximum Operating Current: 8.0 A

Operating Temperature Range

-25° to 105 °C, relative humidity of 85% or less



Testing based on IEC 60512-5-2. Max current curve generated with isolated test article under controlled environmental conditions, and does not take into account external factors such as housings, mating cables, or other circuitry. Operating current curve (derated by 20% of maximum values) accounts for external factors, and manufacturing variation.

Revision:	Date:	Description:	Prepared:	Notes:	<h1>TENSILITY</h1> <p>tel 1.541.323.3228 800 877.670.7118 fax 1.541.323.4202 web tensility.com</p>
A	4/17/2019	Initial release	GL <small>Digitally signed by GL Date: 2019.05.29 11:42:58 -07'00'</small>	RoHS compliant	
			Verified: AW <small>Digitally signed by AW Date: 2019.05.29 11:51:10 -07'00'</small>	Function test: no open, no short circuit, no intermittent	Size: Part number:
			Dimensions are in millimeters. Tolerances: X: ± 0.3 mm X.X: ± 0.1 mm X.XX: ± 0.05 mm	Description: Connector, dc plug, 4.0x1.7x21.3 mm, dual solder tabs, spring contacts, nickel plated, 105 °C	A 50-00621
					Scale: 4:1 Sheet 2 of 2