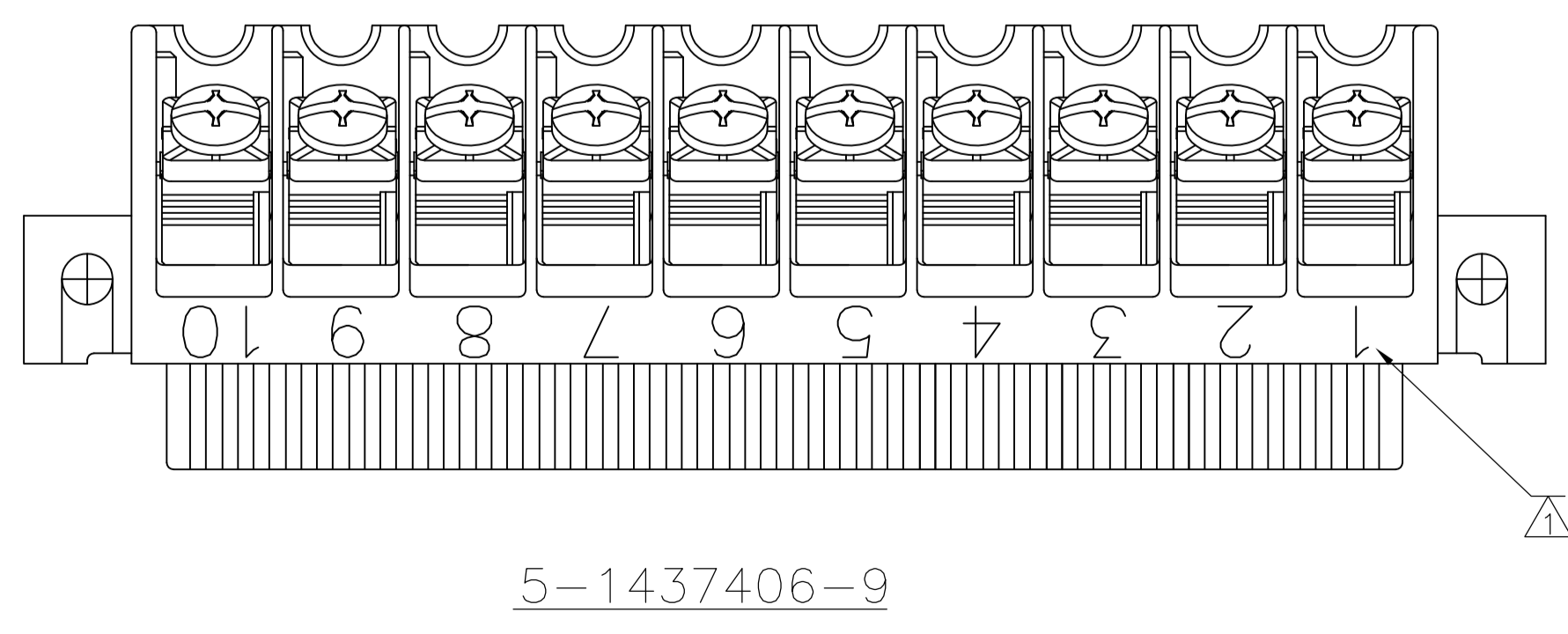
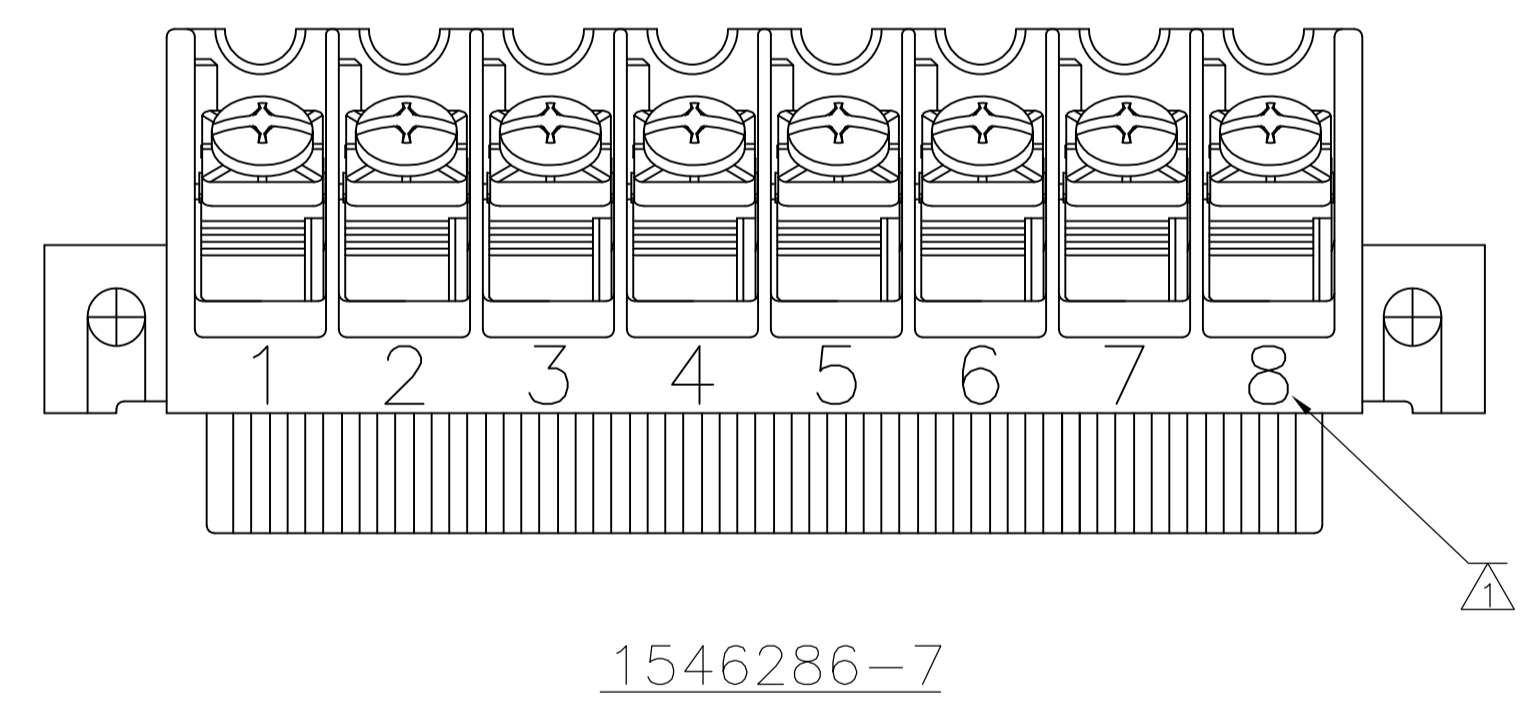
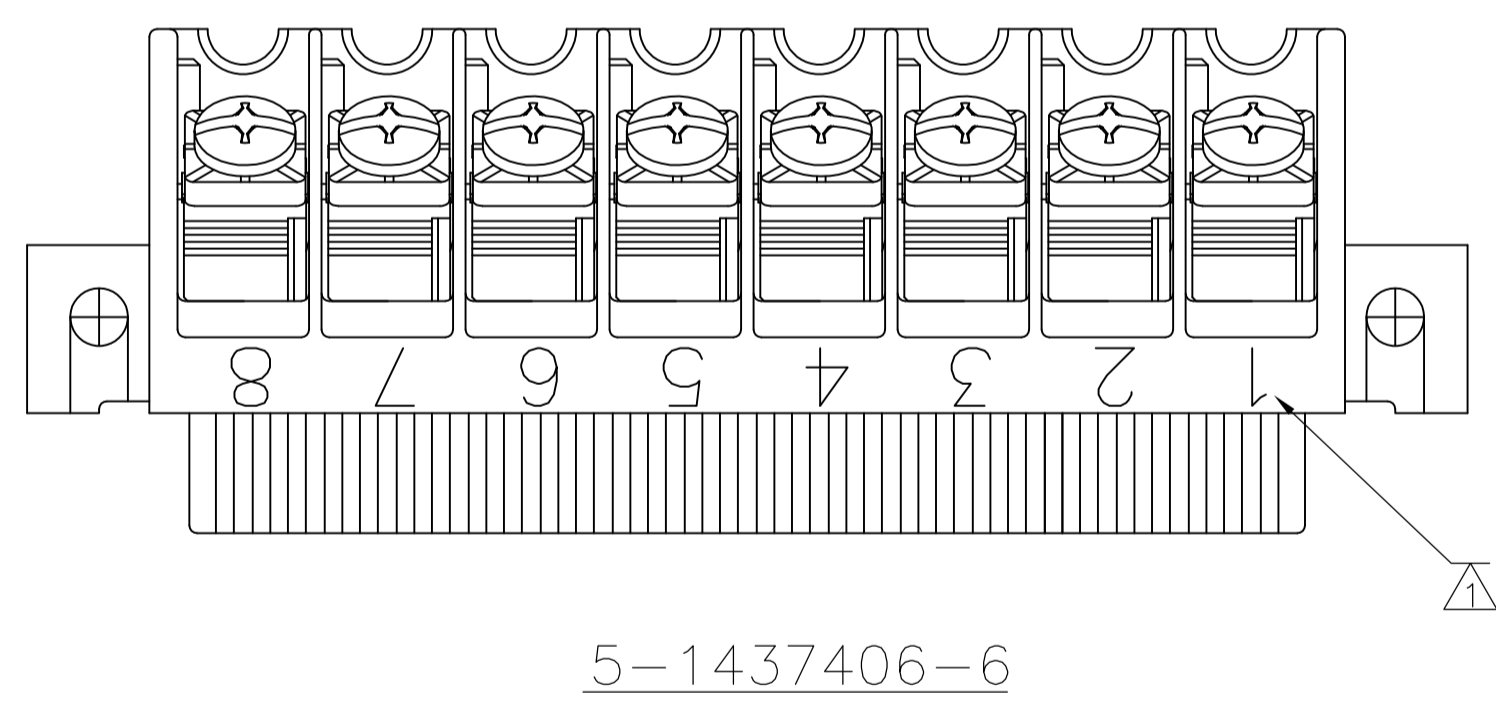
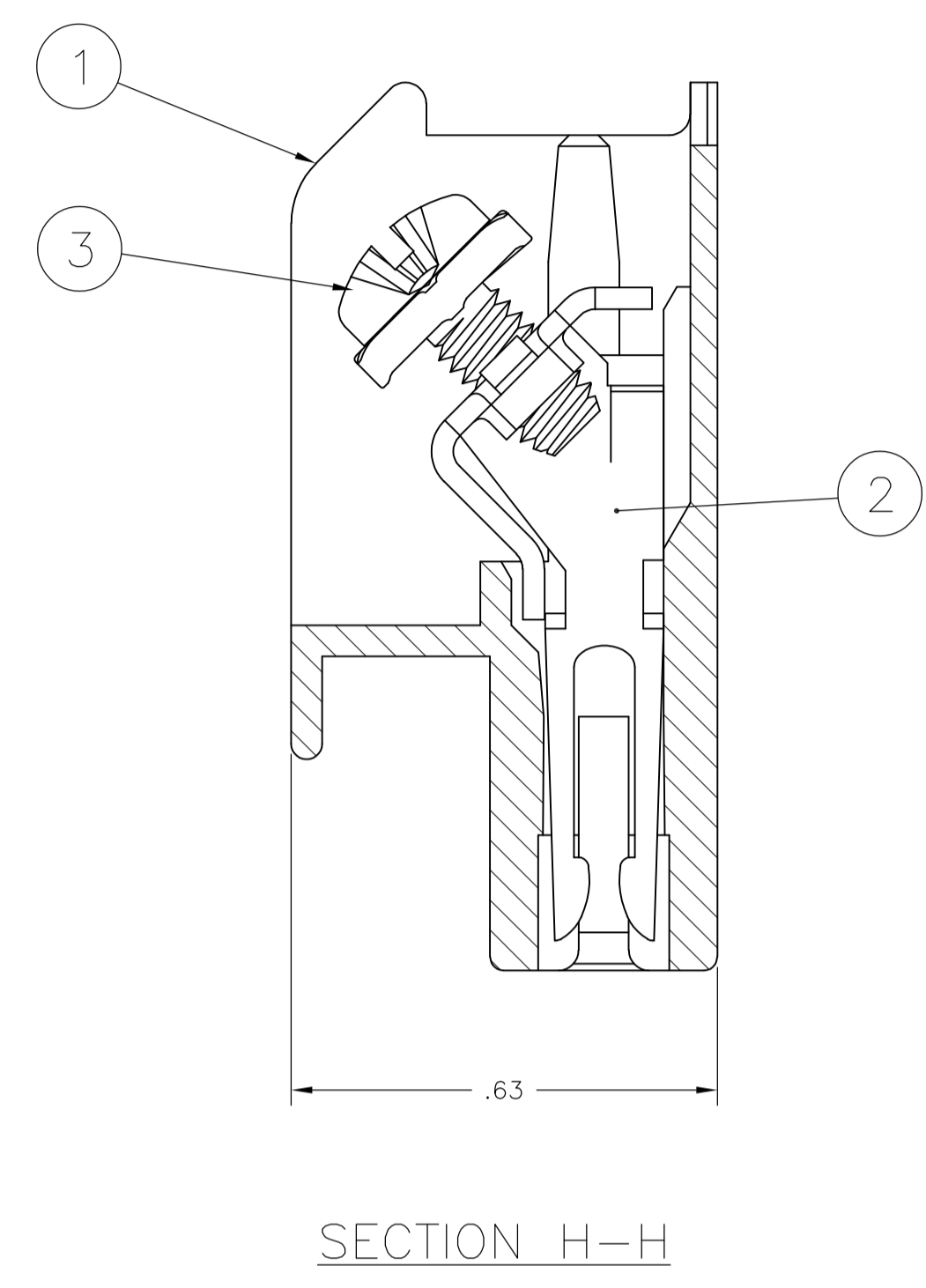
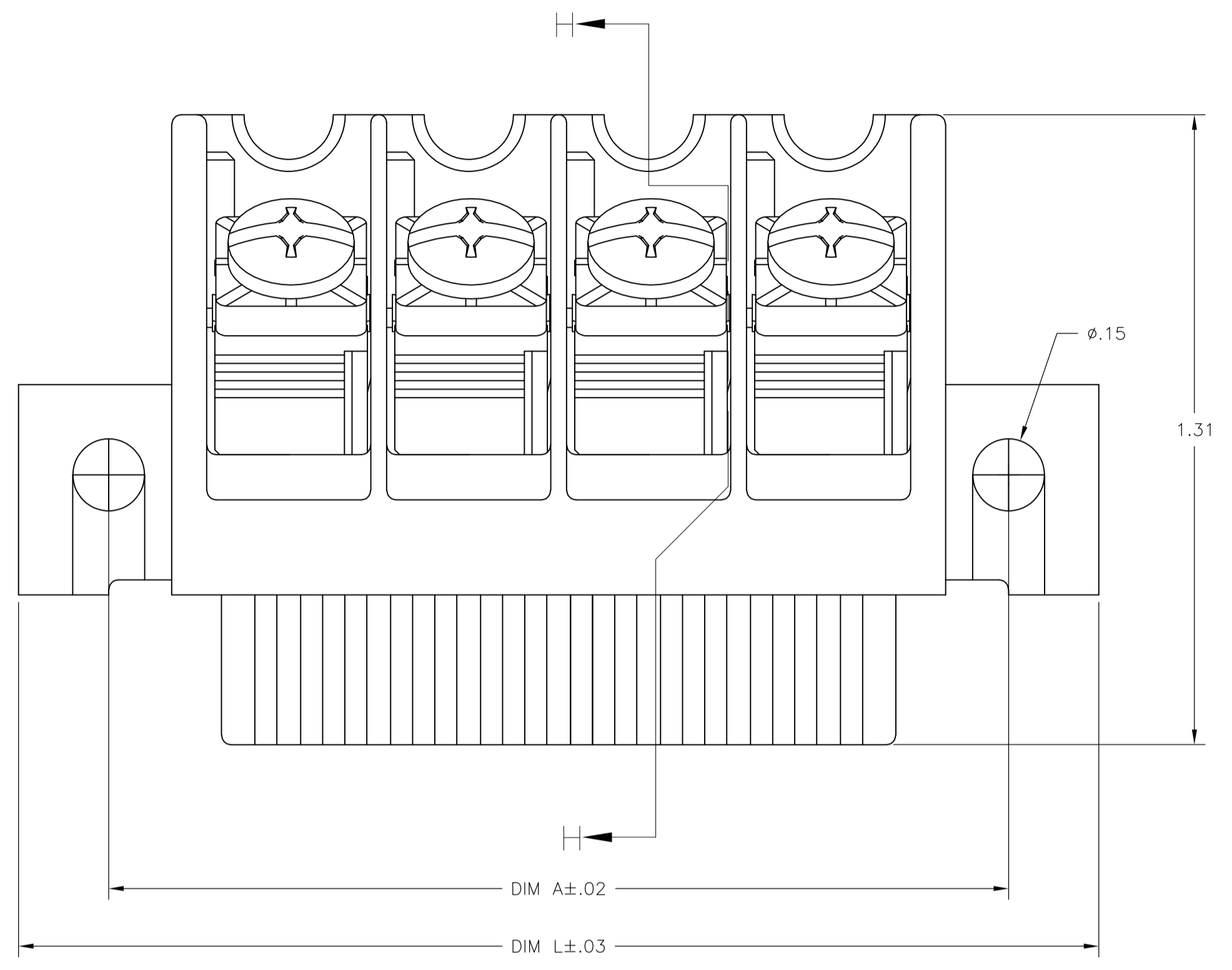


LOC		DIST		REVISIONS			
P	LTR	DESCRIPTION	DATE	DNW	APVD		
B2		REVISED PER ECO-08-001729	1/22/08	SS	SRY		

WHITE LETTERING APPROX .14 HIGH.



REVISION	DATE	DESCRIPTION	BY	CHKD	APVD
OBSELETE	10.501	PSB4KC26A	7-1437406-3		
	9.751	PSB4KD24A	1546286-5		
	9.751	PSB4KC24S	7-1437406-2		
	9.751	PSB4KC24A	7-1437406-1		
	9.001	PSB4KC22S	1546286-4		
	9.001	PSB4KC22A	7-1437406-0		
	8.251	PSB4KC20S	6-1437406-9		
	8.251	PSB4KC20A	6-1437406-8		
	7.501	PSB4KC18S	6-1437406-7		
	7.501	PSB4KC18A	6-1437406-6		
	6.751	PSB4KD16A	1546286-6		
	6.751	PSB4KC16S	6-1437406-5		
	6.751	PSB4KC16A	6-1437406-4		
	6.001	PSB4KC14S	6-1437406-3		
	6.001	PSB4KC14A	6-1437406-2		
	5.251	PSB4KC12S	6-1437406-1		
	5.251	PSB4KC12A	6-1437406-0		
	4.501	PSB4KD10A	7-1437406-4		
SPL MARKING	4.501	PSB4KC10SNN25	5-1437406-9		
	4.501	PSB4KC10S	5-1437406-8		
	4.501	PSB4KC10A	1546286-1		
SPL MARKING	3.751	PSB4KC08SNN21	1546286-7		
	3.751	PSB4KC08S	5-1437406-7		
SPL MARKING	3.751	PSB4KC08ANN25	5-1437406-6		
	3.751	PSB4KC08A	5-1437406-5		
	3.001	PSB4KC06S	5-1437406-4		
	3.001	PSB4KC06A	5-1437406-3		

NOTES	DIM L	CATALOG NO.	PART NO.

THIS DRAWING IS A CONTROLLED DOCUMENT.

DIMENSIONS: INCHES	TOLERANCES UNLESS OTHERWISE SPECIFIED:	DIN S SCHLEGEL 10/28/05	10/28/05	Tyco Electronics Corporation Harrisburg, PA 17105-3608	
0 PLC ± -	1 PLC ± -	CHK S YODER	10/28/05	NAME	
2 PLC ± .01	3 PLC ± .005	APVD S YODER 10/28/05	10/28/05	PRODUCT SPEC	
4 PLC ± -	ANGLES ± 1°			APPLICATION SPEC	
MATERIAL	FINISH	SIZE	CAGE CODE	DRAWING NO.	RESTRICTED TO
		WEIGHT		A1 00779	5-1437406-3
CUSTOMER DRAWING			SCALE	SHEET	REV
			4:1	1 of 1	B2