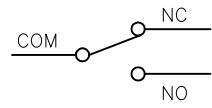
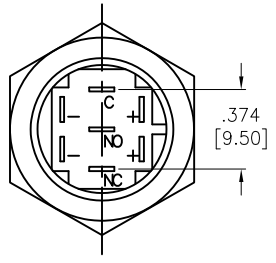
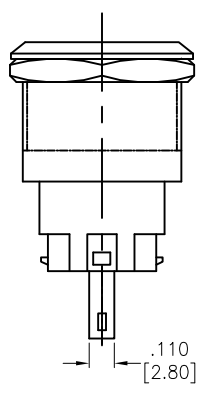
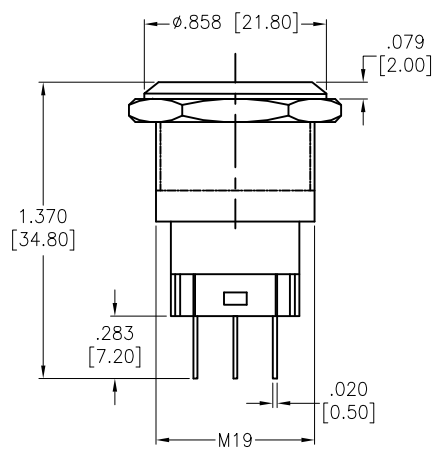
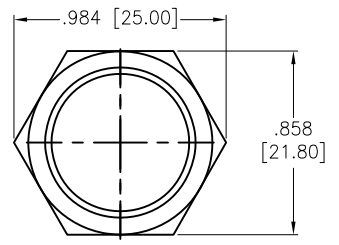
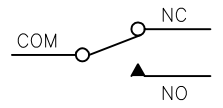


Rev	AWO #	Description	Date	Appr
-		RELEASED	11/25/20	

APPROVED: _____
DATE: _____ TITLE: _____



CIRCUIT DIAGRAM (SPDT) LATCHING



CIRCUIT DIAGRAM (SPDT) MOMENTARY

SW-PB2-2EX-A-L1A
— S= Momentary
— Z= Latching

SPECIFICATIONS:
Material:
The crust material: Stainless steel, Copper plated Nickel
Electrical:
Switch Rating: 5A, 250VAC
Contact resistance: 30 mΩ max
Insulation resistance: 100 Mohms min (500VDC)
Dielectric withstanding voltage: 2000 VAC
Temperature Rating:
Operating temperature: -25°C to +55°C
Environmental:
Lead free, RoHS compliant



UNLESS OTHERWISE SPECIFIED ALL DIMENSIONS ARE INCHES [MM] TOLERANCES: EXCEPT AS NOTED		
INCHES HOLES		
.X ± .10	Ø.X ± .10	
.XX ± .020	Ø.XX ± .015	
.XXX ± .015	Ø.XXX ± .010	
APPROVALS		DATE
DRAWN	OW	11/25/20
CHECKED	AC	11/25/20
APPROVED		

ADAM TECH 909 Rahway Avenue,
Union, NJ 07083
Phone: 908-687-5000
Fax: 908-687-5710

TITLE: SWITCH, PUSH BUTTON, PLASTIC WATERPROOF SPDT, 1NO-1NC, SOLDER TYPE

SIZE X	PART NO. SW-PB2-2EX-A-L1A	REV. -
REF: -	SCALE: NTS	SHEET 1 OF 1