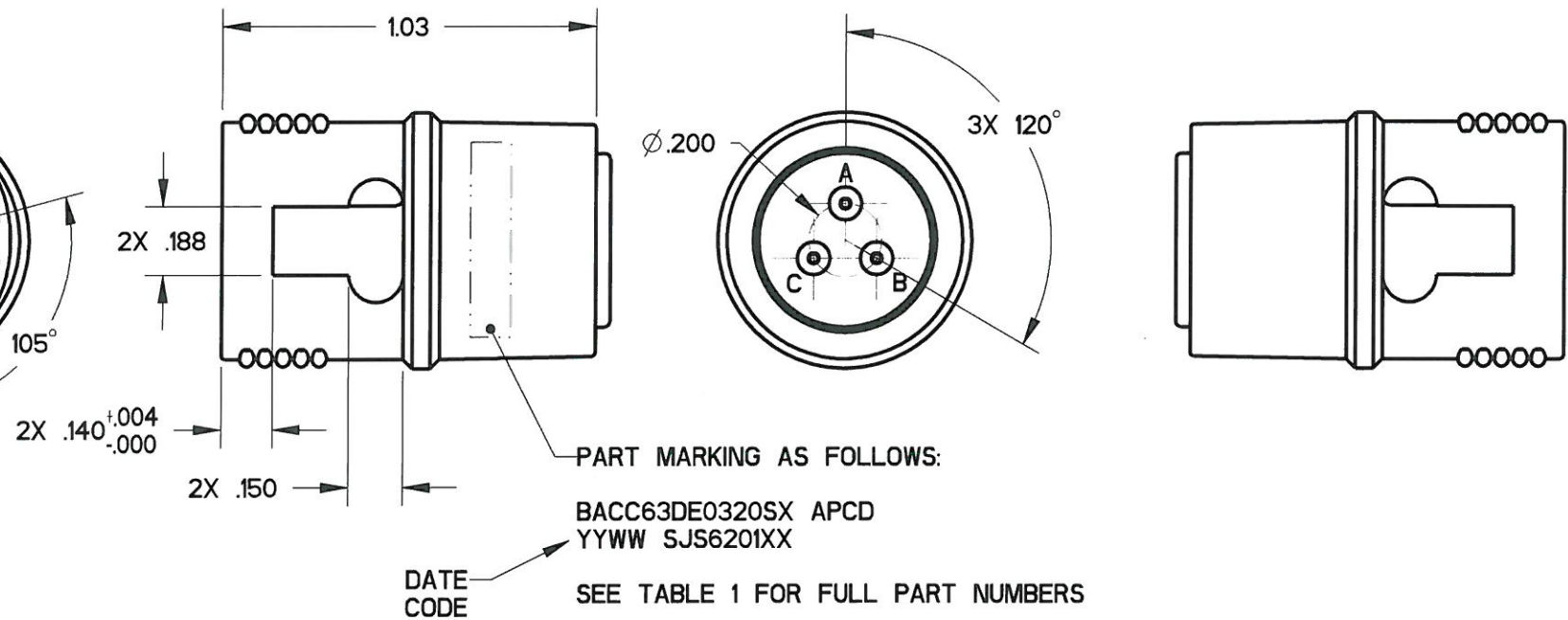
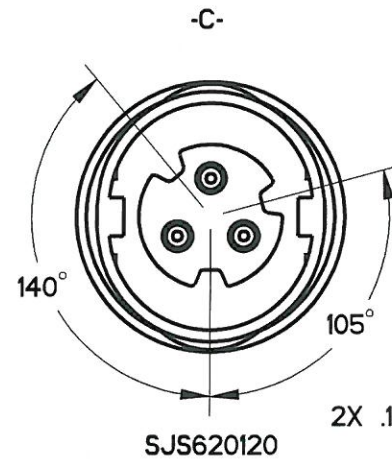
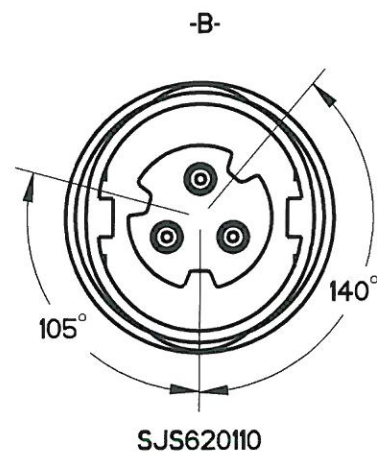
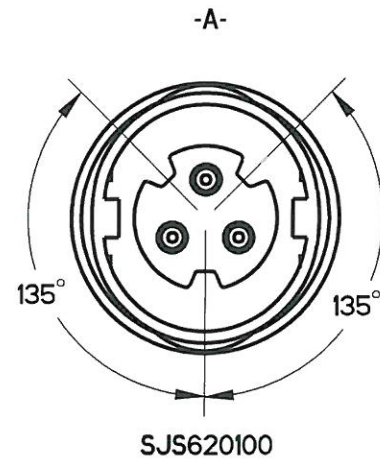
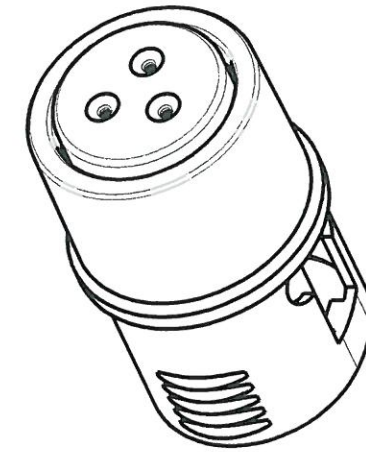
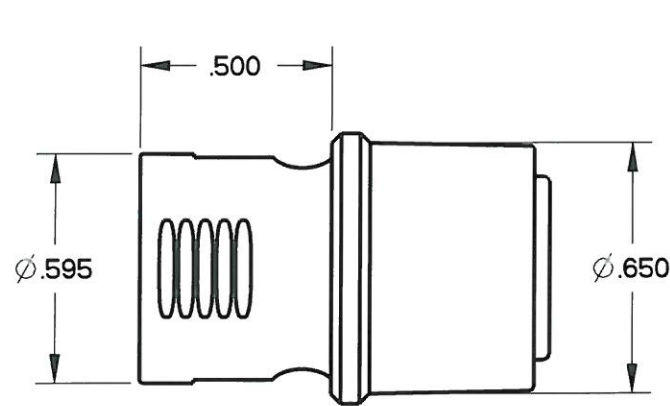


REV	ECN	APP'D
-	5663	J. TON
A	5706	J. TON
B	5796	J. TON
C	5951	J. TON
D	6102	J. TON
E	6589	<i>J. TON 12/10</i>

NOTES:

- MATERIALS:
HOUSING: PA 6/6
CONTACT RETAINER: STAINLESS STEEL
GROMMET: SILICONE RUBBER PER A-A-59588
- OPERATING RANGE:
TEMPERATURE: -55 °C TO 95 °C
INSULATION RESISTANCE: 5000 MEGOHMS MINIMUM
DIELECTRIC WITHSTANDING VOLTAGE: 1500 VRMS SEA LEVEL
600 VRMS @ 45,000 FT. ALTITUDE
- CURRENT RATING: 7.5 AMPS
VIBRATION: PER EIA-364D METHOD 28, TEST CONDITION V.
- ACCEPTS (3) M39029/56-351 SOCKET CONTACT (NOT INCLUDED)
- CONTACT RETENTION - 20 LBS EACH



KEY CONFIGURATION SEE TABLE 1

APCD PART#	BACC PART#	KEY	COLOR
SJS620100	BACC63DE0320SA	A	RED
SJS620110	BACC63DE0320SB	B	WHITE
SJS620120	BACC63DE0320SC	C	BLUE

DIMENSIONS ANSI Y14.5M UNITS: INCHES Pro/E FILE	TOLERANCES .XX ±0.01 .XXX ±0.005 ANGLES ±1.0°	PROJECTION 	Amphenol Pcd SPECIFICATION DRAWING		TITLE IN-LINE JUNCTION TRIPLE WIRE, SIZE 20 PLUG		
			ENGR S. STONE 10/19/05	CHKD <i>[Signature]</i> 10/12/10	APPD <i>[Signature]</i> 12/10	SIZE B	DWG NO. SJS620100
ORIGINAL 	THIS DOCUMENT CONTAINS PROPRIETARY INFORMATION WHICH IS THE CONFIDENTIAL PROPERTY OF AMPHENOL PCD INC., BEVERLY, MA			CODE: 58982	SCALE: 2:1	SHEET 1 OF 1	

SJS620100

SJS620100