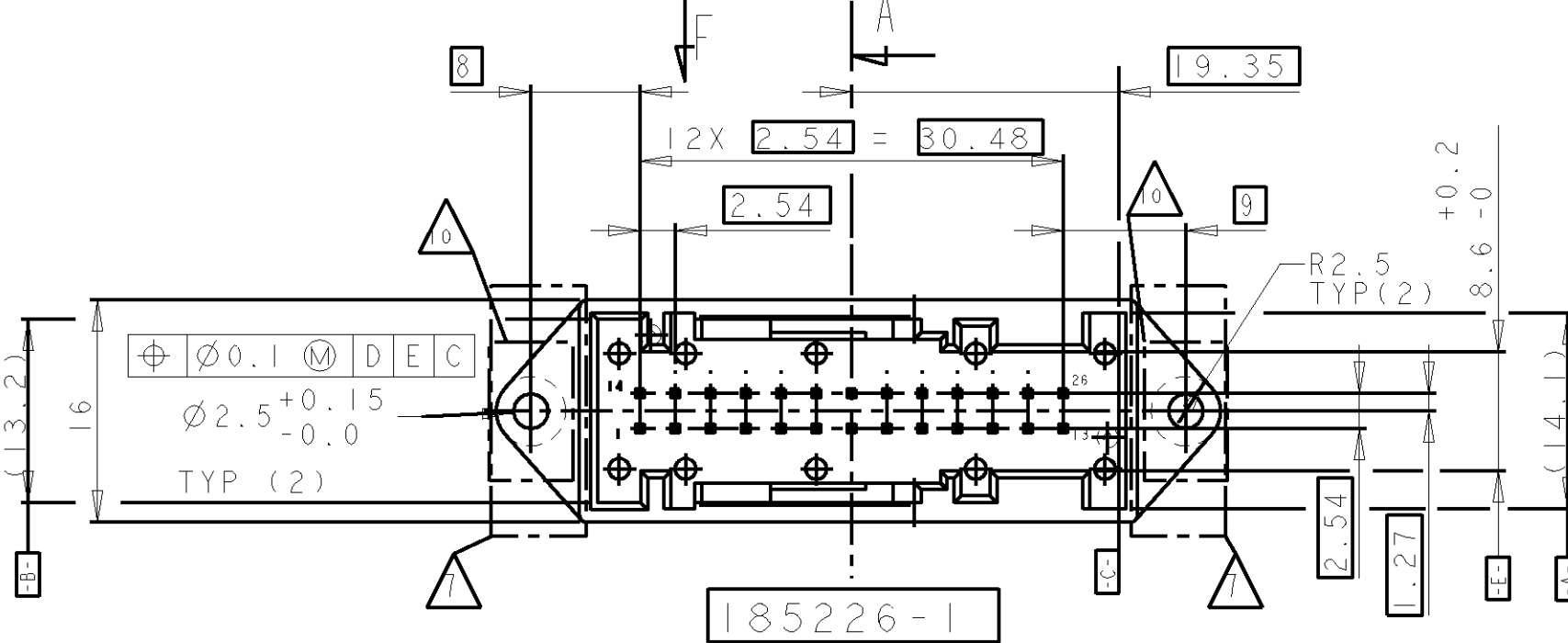
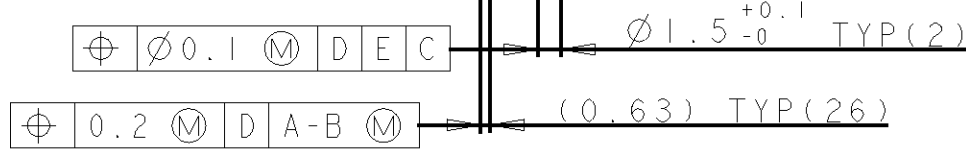
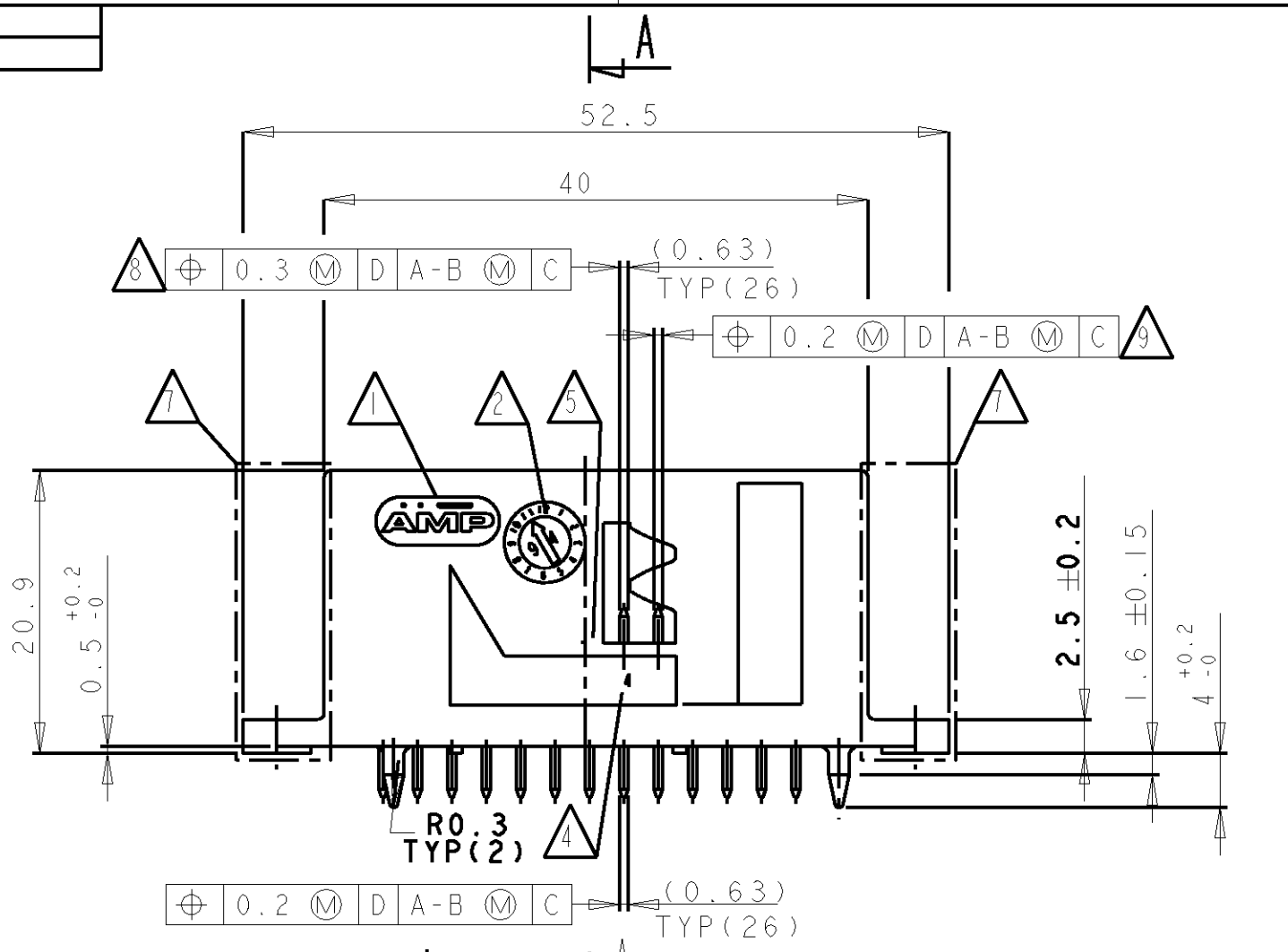
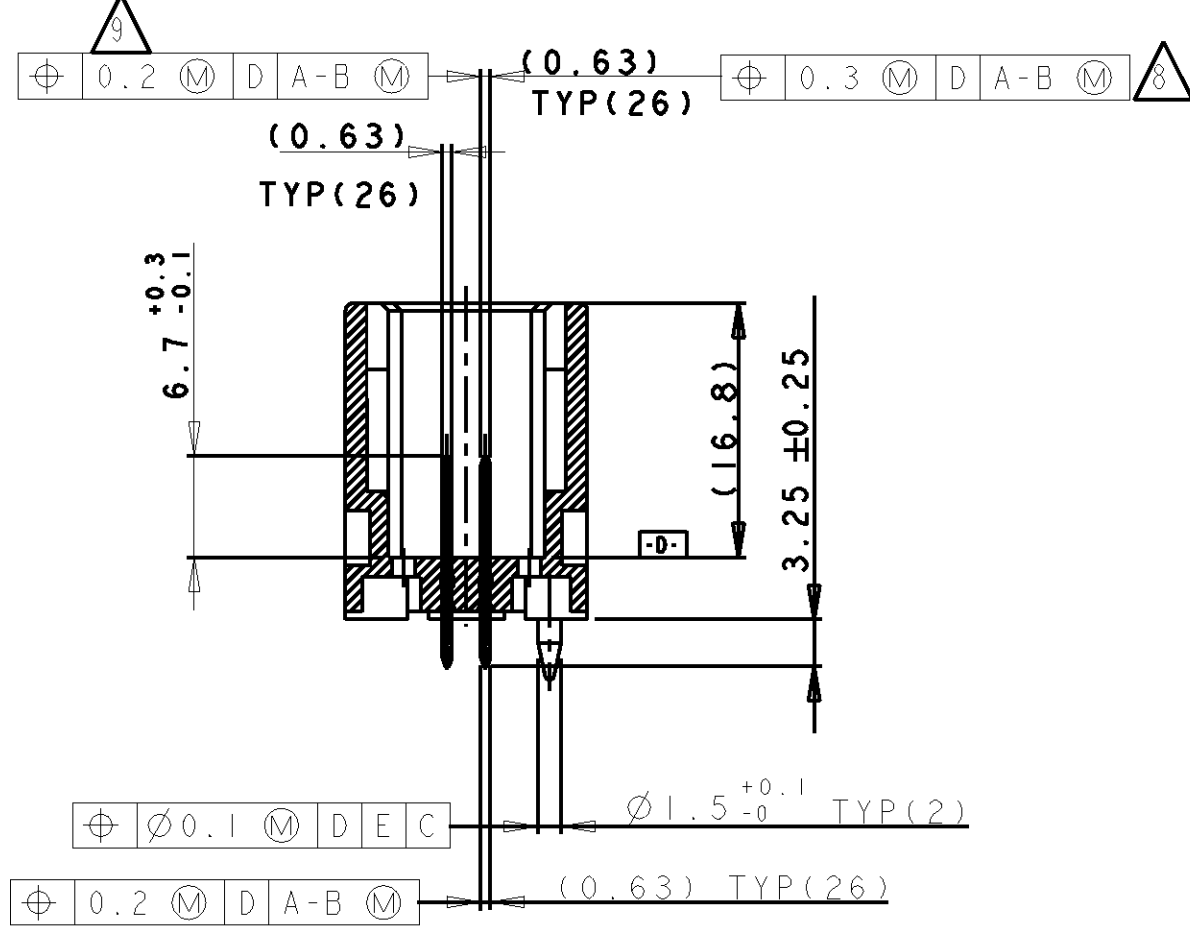


THIS DRAWING IS UNPUBLISHED. RELEASED FOR PUBLICATION 20
 © COPYRIGHT BY ALL RIGHTS RESERVED.

| LOC | | | DIST | | | REVISIONS | | | |
|-----|-----|------------------------------|---------|-----|------|-----------|--|--|--|
| P | LTR | DESCRIPTION | DATE | DWN | APVD | | | | |
| F | 7 | H1 REVISED PER ECO-11-005150 | 28APR11 | RK | HMR | | | | |

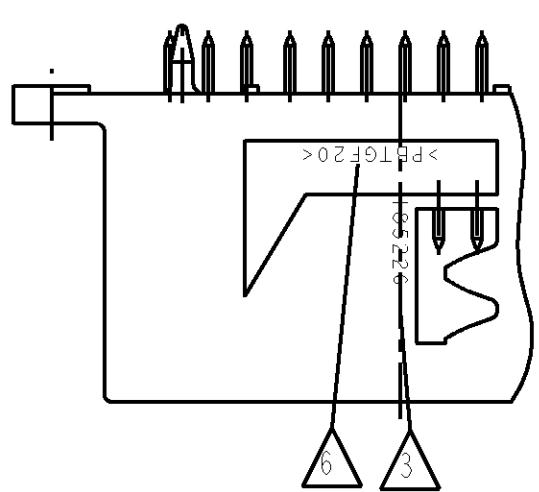
COUPE AA



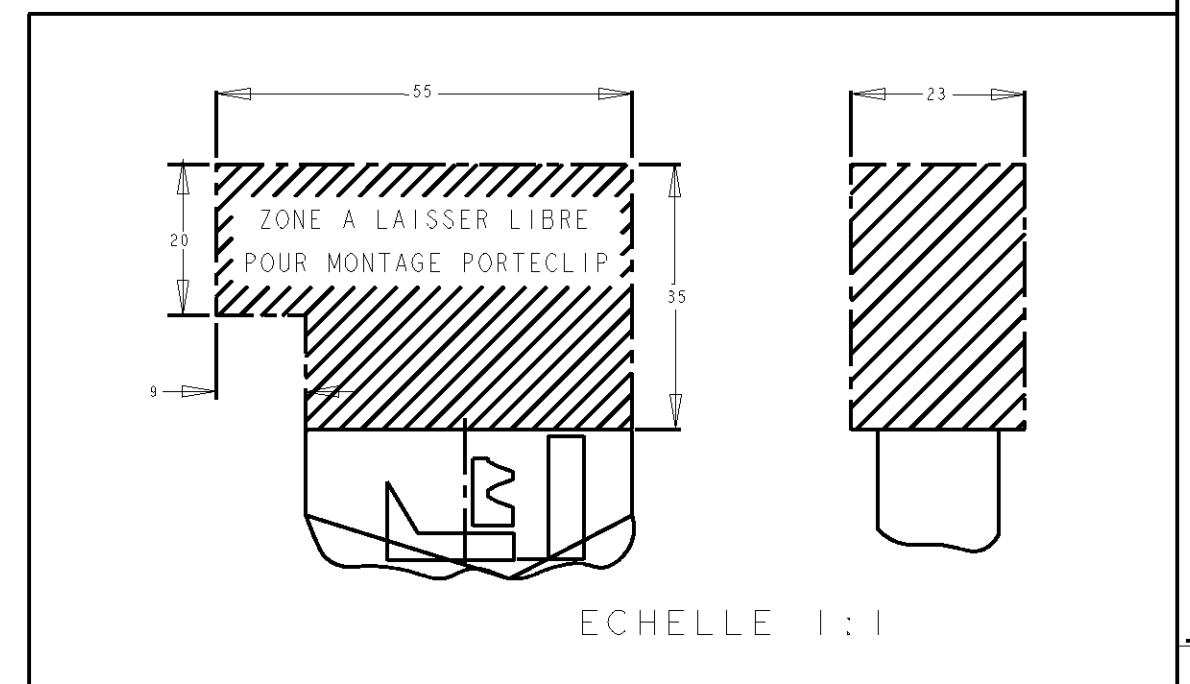
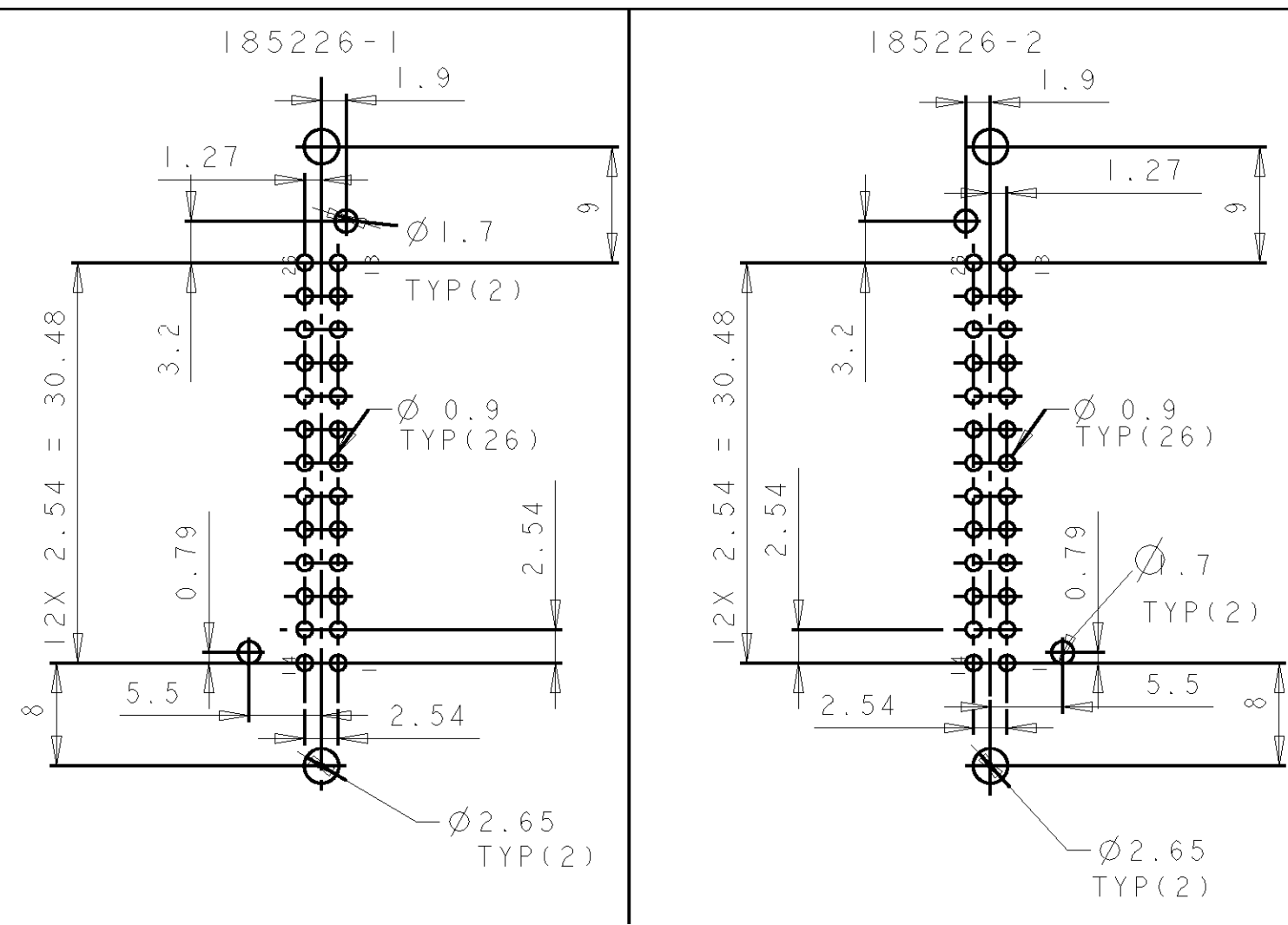
NOTES:

- 1 LOGO D' "AMP"
- 2 DATE CODE
- 3 REFERENCE DU PRODUIT ASSEMBLE
- 4 N° D'EMPREINTE DU MOULE
- 5 REVISION DU MOULE
- 6 MATIERE
- 7 ZONE POUR D'AUTRES SYSTEMES DE FIXATION
- 8 TOLERANCE AU SOMMET DE LA LANGUETTE
- 9 TOLERANCE A LA BASE DE LA LANGUETTE
- 0 ZONE POUR MONTAGE RIVET DE FIXATION

VUE F



POSITIONNEMENT DES ELEMENTS BROCHE (COTES NOMINALES, VUE DE DESSUS)



| | | |
|-----------------------------------|-----------------|----------------------------------|
| THERMOPLASTIQUE AVEC CHARGE VERRE | ALLIAGE CUIVRE | PRE-ETAME SUR SOUS COUCHE NICKEL |
| MATIERE EMBASE | MATIERE CONTACT | FINITION |

| | |
|-------------|--|
| DIMENSIONS: | TOLERANCES UNLESS OTHERWISE SPECIFIED: |
| mm | 0 PLC ± |
| | 1 PLC ± |
| | 2 PLC ±0.3 |
| | 3 PLC ± |
| | 4 PLC ± |
| | ANGLES ±5° |
| MATERIAL | FINISH |
| SEE TABLE | SEE TABLE |

| | | | | |
|----------------------------|-----------|---|------------|---------------|
| DWN T. NGUYEN 27-OCT-94 | | EMBASE 26V MQS POUR CIRCUIT IMPRIME 26W MQS HEADER FOR PCB | | |
| CHK T. MEZIN 17-JAN-95 | | | | |
| APVD Y. PETRONIN 17-JAN-95 | | | | |
| PRODUCT SPEC 108-15106 | | | | |
| APPLICATION SPEC | SIZE | CAGE CODE | DRAWING NO | RESTRICTED TO |
| WEIGHT 6.5 g | A200779 | C-185226 | | |
| CUSTOMER DRAWING | SCALE 2:1 | SHEET 1 OF 1 | REV H1 | |