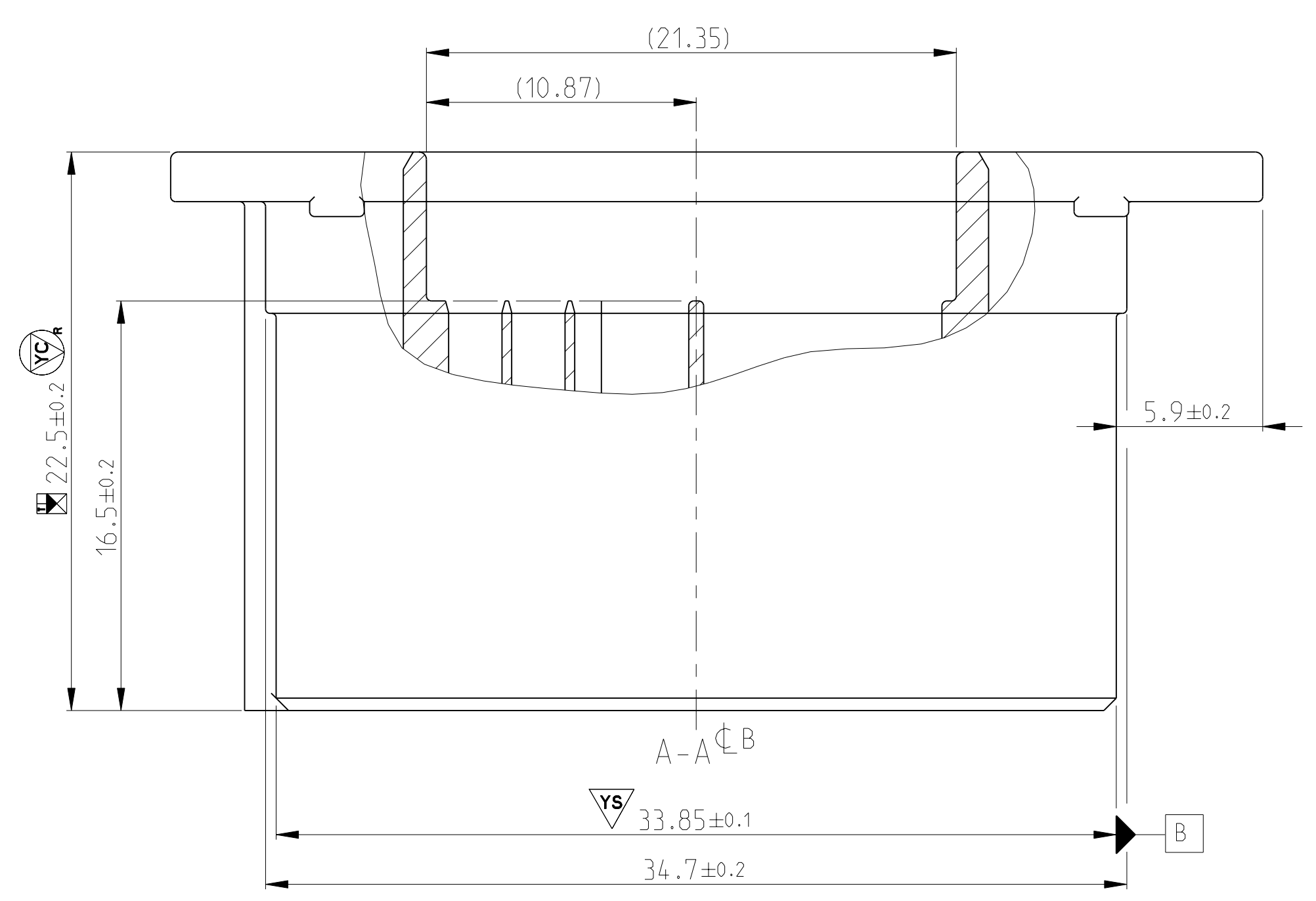
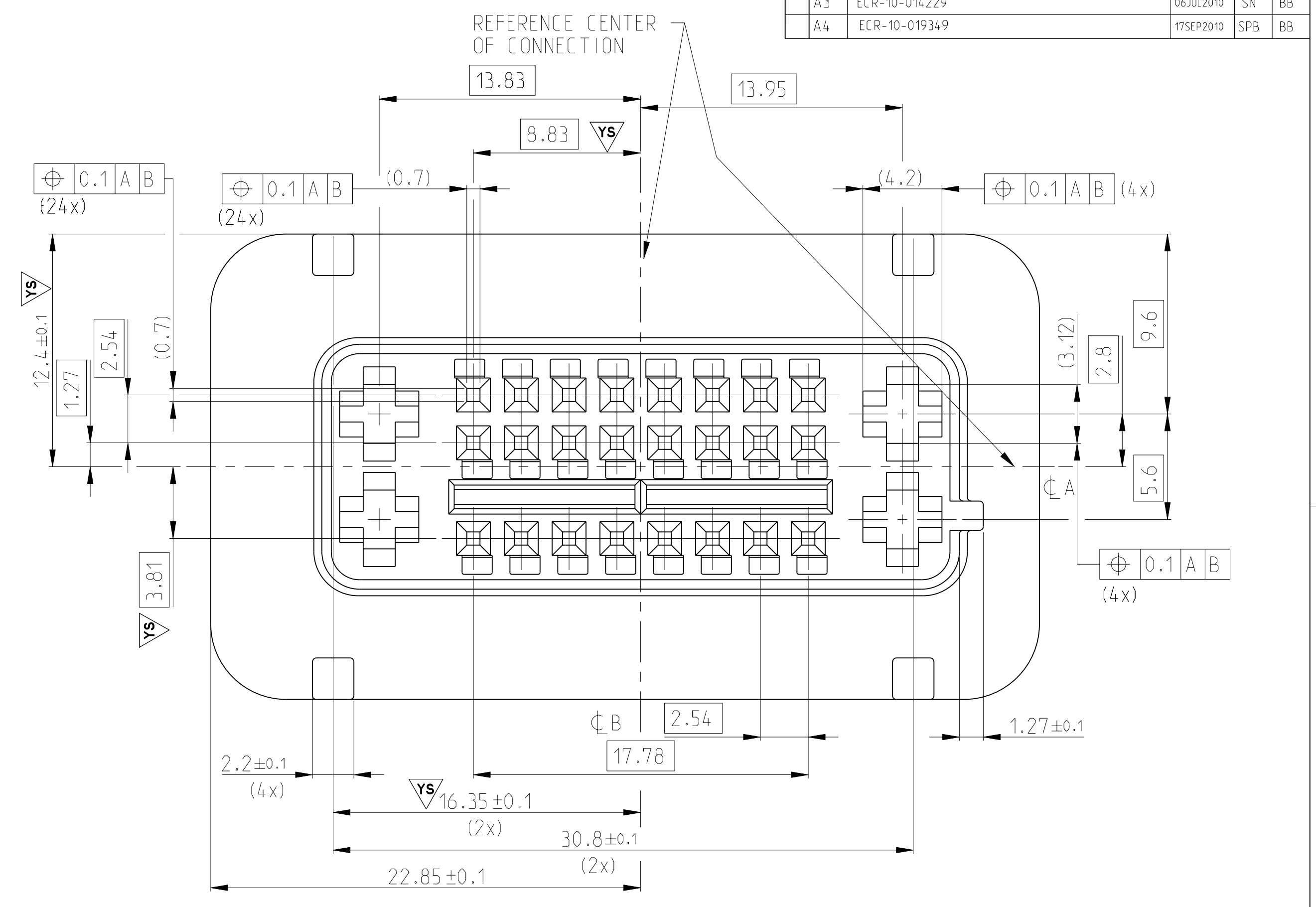
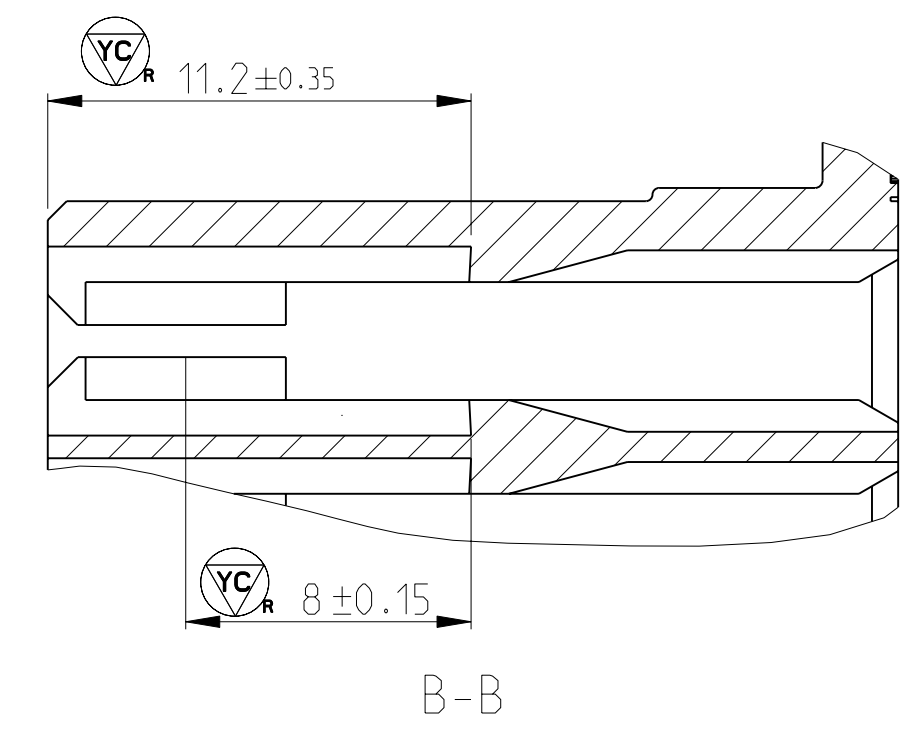
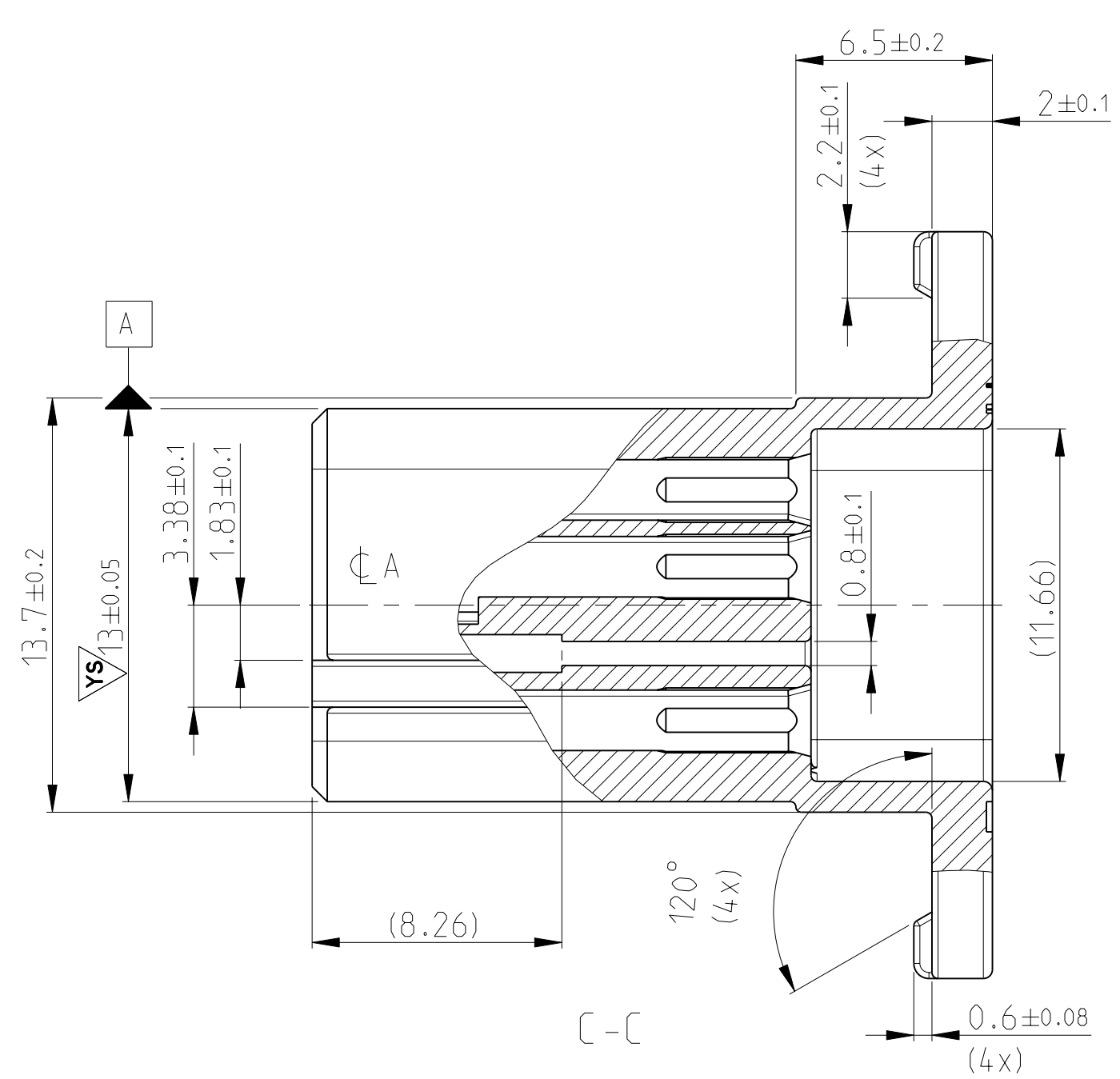
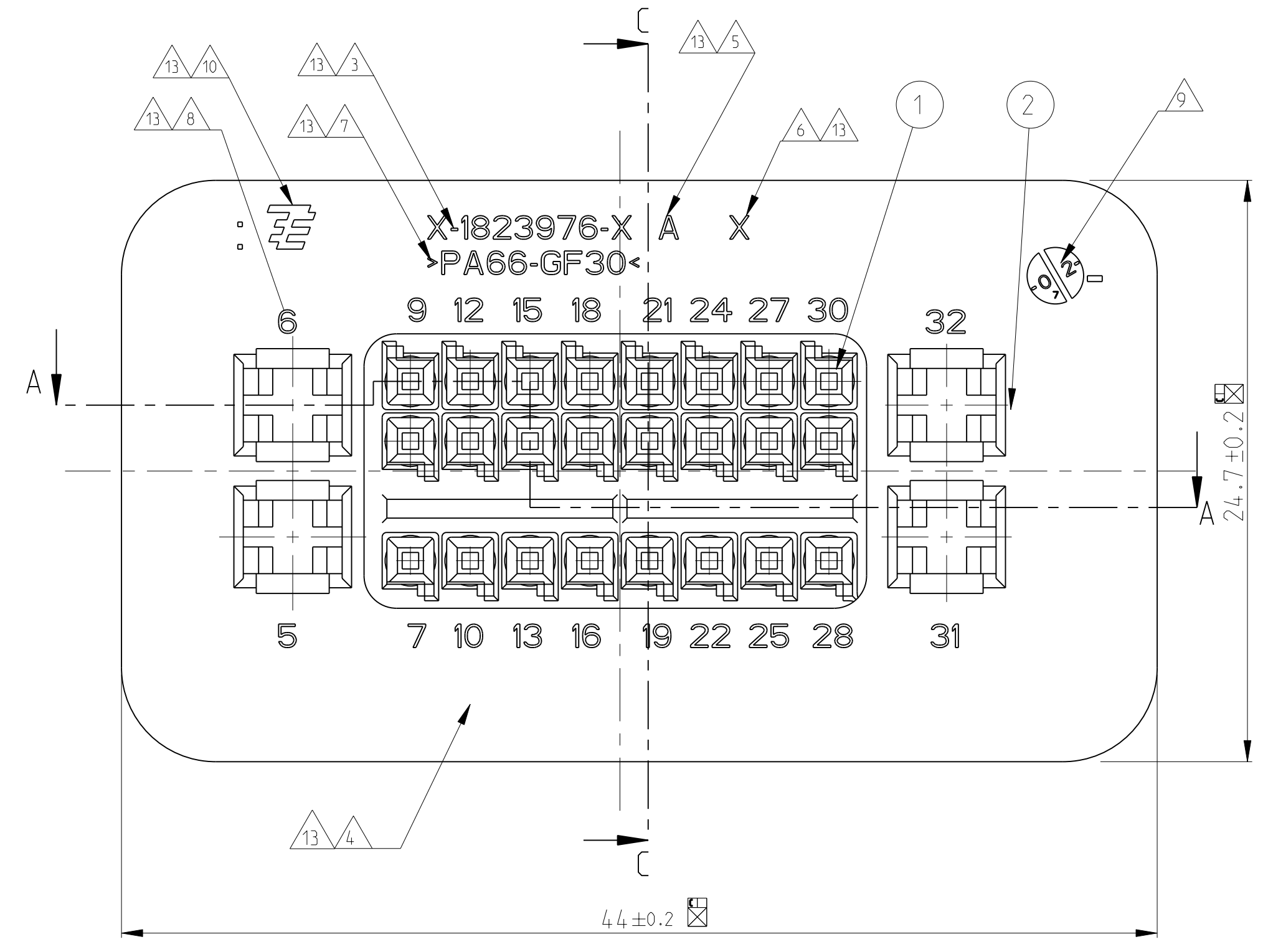
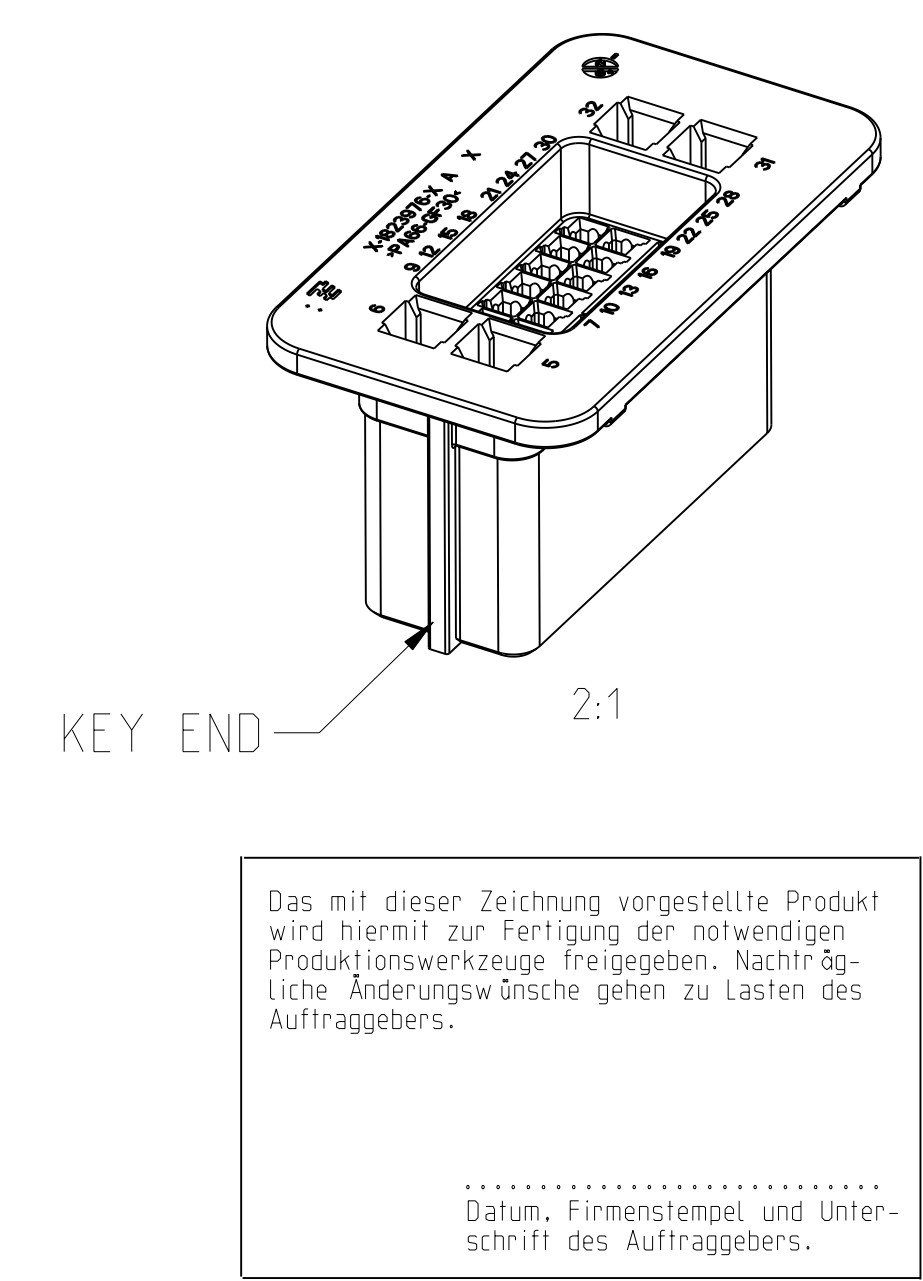


LOC	DIST	REV	DATE	BY	APPV
A1	-	1	01DEC2009	SPB	BB
A2	-	2	06MAY2010	SN	BB
A3	-	3	06JUL2010	SN	BB
A4	-	4	17SEP2010	SPB	BB

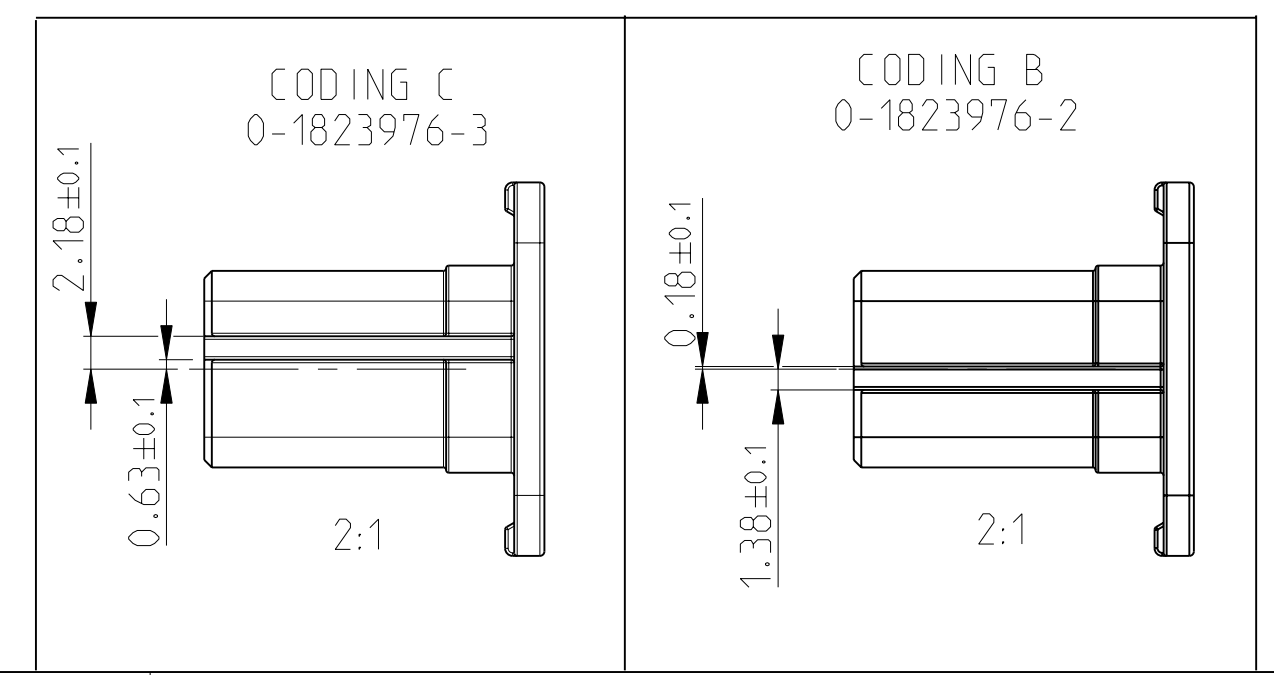


SYMBOLS DEFINITION

DESIGNATION	SYMBOL
DIMENSION LABEL	(X)
DIMENSION FOR INFORMATION ONLY	>X<
SPECIAL CHARACTERISTIC (ACCORDING TO FMEA-LO11 N0805-208-001)	YC/R, YS



- NOTES
- 1 FOR CONTACTS SEE THE DRAWINGS: MICRO QUADLOK SYSTEM: 929454 JUNIOR POWER TIMER: 1355047
 - 2 ALL RADII R0.5 EXCEPT AS NOTED
 - 4 TE PART NO. (SEE TABLE)
 - 5 ALERT PART NO. (SEE TABLE)
 - 6 REVISION (SEE TABLE)
 - 7 TOOLING CAVITY MARKING (NOT USED FOR PILOT TOOLING)
 - 8 MATERIAL IDENTIFICATION (SEE TABLE)
 - 1 CAVITY IDENTIFICATION
 - 9 PRODUCTION DATE WITH DATE INSERT, Ø3, SUNK 0.2mm
 - 10 TE-LOGO PN 1-15994-1 ACCORDING TO THE DRAWING 15994, SUNK 0.2mm
 - 11 VOLUME 6133mm³
 - 12 REGRIND MAX. 15%
 - 13 CHARACTERS ACC. TO DIN 1451, SUNK 0.2mm
 - 14 MATERIAL: PA66-GF30. COLOR: BLACK



CODING A
 Kodierung A
 -01 AS SHOWN
 wie gezeigt

ITEM NO.	DESCRIPTION	ITEM NO.	DESCRIPTION
0-1823976-3	SOCKET HOUSING	1823940-2	
0-1823976-2	SOCKET HOUSING	1823940-3	
0-1823976-1	SOCKET HOUSING	1823940-1	

Passend zu: Stiftwanne
 SUITABLE FOR: PIN HEADER
 TE

TE PART NUMBER	SURFACE MATERIAL	BASE MATERIAL	CONTACT TYPE	CAVITY POSITION
	TIN	CuSn4	JPT	2
	TIN	NOT DEFINED	MQS	1

DATE: 21MAY2009	BY: SHASHIDHARA N	APPV: BOB BAKER
PRODUCT SPEC: JPT/MQS SOCKET HOUSING 4+24POS	APPLICATION SPEC: JPT/MQS Buchsengehäuse 4+24pol.	SCALE: 5:1
WEIGHT: -	CAGE CODE: A1	DRAWING NO: 00779
CUSTOMER DRAWING		REV: A4