

Infineon® LITIX™ Power

1.8A DC/DC Step-Down Converter

TLD5085EJ

Infineon® LITIX™ Power

1.8A DC/DC Step-Down Converter

Data Sheet

Revision 1.1

2015-03-10

Automotive Power

Table of Contents

	Table of Contents	2
1	Overview	3
2	Block Diagram	4
3	Pin Configuration	5
3.1	Pin Assignment	5
3.2	Pin Definitions and Functions	5
4	General Product Characteristics	7
4.1	Absolute Maximum Ratings	7
4.2	Functional Range	8
4.3	Thermal Resistance	8
5	Electrical Characteristics	10
5.1	Description	10
5.2	Electrical Characteristics	11
6	Enable, Thermal Shutdown and PWM Dimming Function	13
6.1	Description	13
6.2	Electrical Characteristics Enable, Bias, Thermal Shutdown and PWM Dimming	14
7	Oscillator	15
7.1	Description	15
7.2	Electrical Characteristics Oscillator	15
8	Application Information	16
8.1	Frequency Compensation	16
8.2	Compensating a Tantalum Buck Capacitor C_{BU1}	16
8.3	Freewheeling Diode	16
8.3.1	Constant Output Voltage Mode for LED Applications	17
8.3.2	Constant Current Mode for LED Applications	18
9	Package Outlines	19

TLD5085EJ

Infineon® LITIX™ Power



1 Overview

- Wide Input Voltage Range from 4.75V to 45V
- Constant Current or Constant Voltage Regulation
- Drives LEDs in Buck Topology
- Very low shutdown current consumption (typ. 0.1µA)
- 370 kHz switching frequency
- PWM Dimming
- Integrated power-switch (output current up to 1.8A)
- Internal Soft-Start function
- ± 2% output current tolerance (± 4% for full load current range)
- Small thermally enhanced exposed heatslug package
- Over Temperature Shutdown
- AEC Qualified
- Green Product (RoHS Compliant)



PG-DSO-8 (e-Pad)

Description

The TLD5085EJ is a smart LED buck converter with an integrated power-switch, capable of driving up to 1.8A load current with excellent line and load regulation. The main function of this device is to step-down the input voltage and regulating a constant LED current. The constant current regulation is especially beneficial for LED color accuracy and longer lifetime. The TLD5085EJ also has a PWM input which can be used for LED dimming. The switching frequency of 370kHz allows to use small and inexpensive passive components. An Enable function is implemented to reduce the shut-down current consumption to typ. 0.1µA. This IC is suited for use in the harsh automotive environments and provides protection functions such as current limitation and overtemperature shutdown. The integrated soft-start feature avoids a current and voltage overshoot at the output during start-up of the device.

Application

- Automotive Lighting (Reading Light, Dome Light, Dashboard Backlighting)
- High LITIX™ PowerApplications
- Constant Current and Voltage Source

Type	Package	Marking
TLD5085	PG-DSO-8 (e-Pad)	TLD5085

Block Diagram

2 Block Diagram

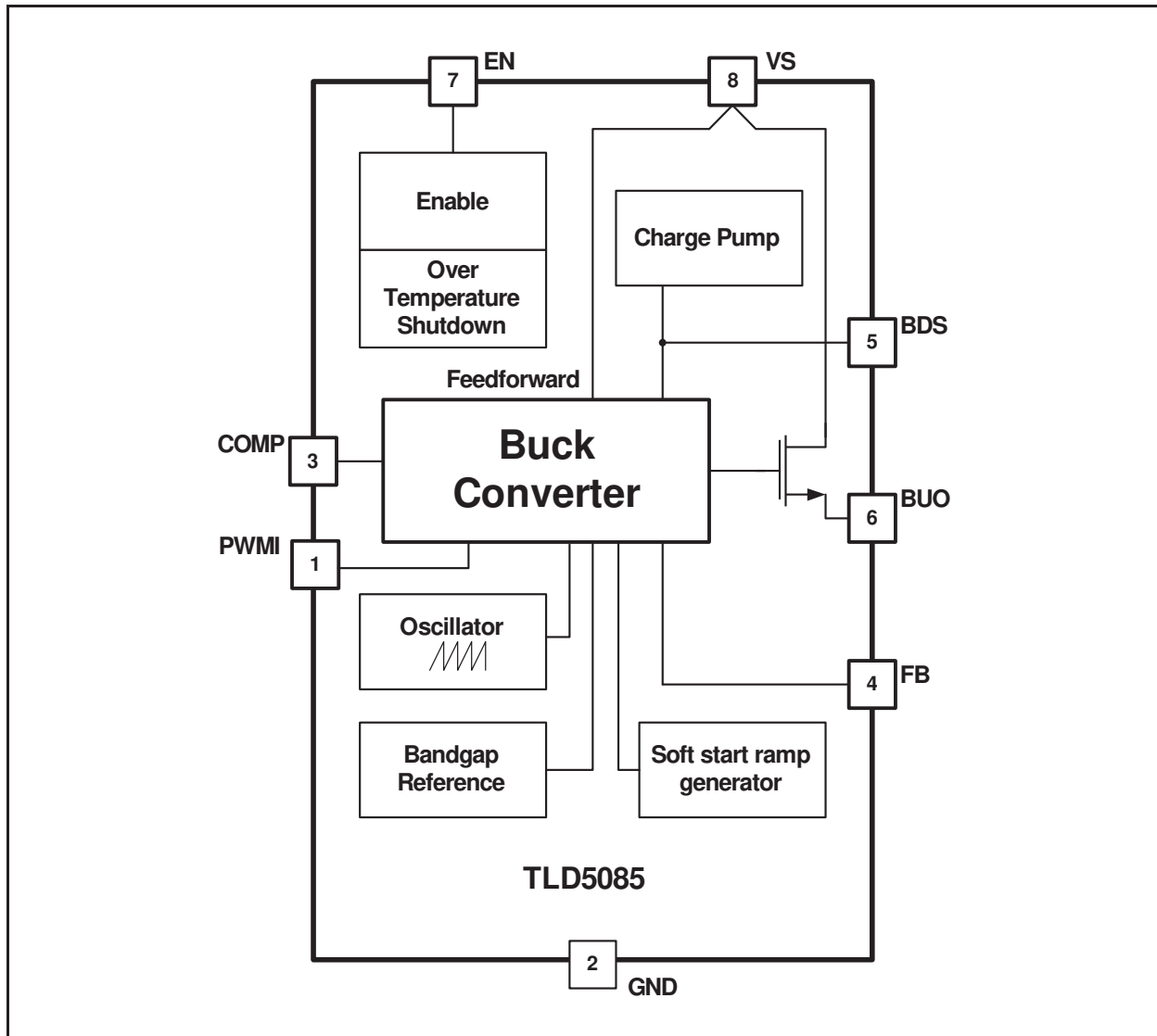


Figure 2-1 Block Diagram TLD5085EJ

3 Pin Configuration

3.1 Pin Assignment

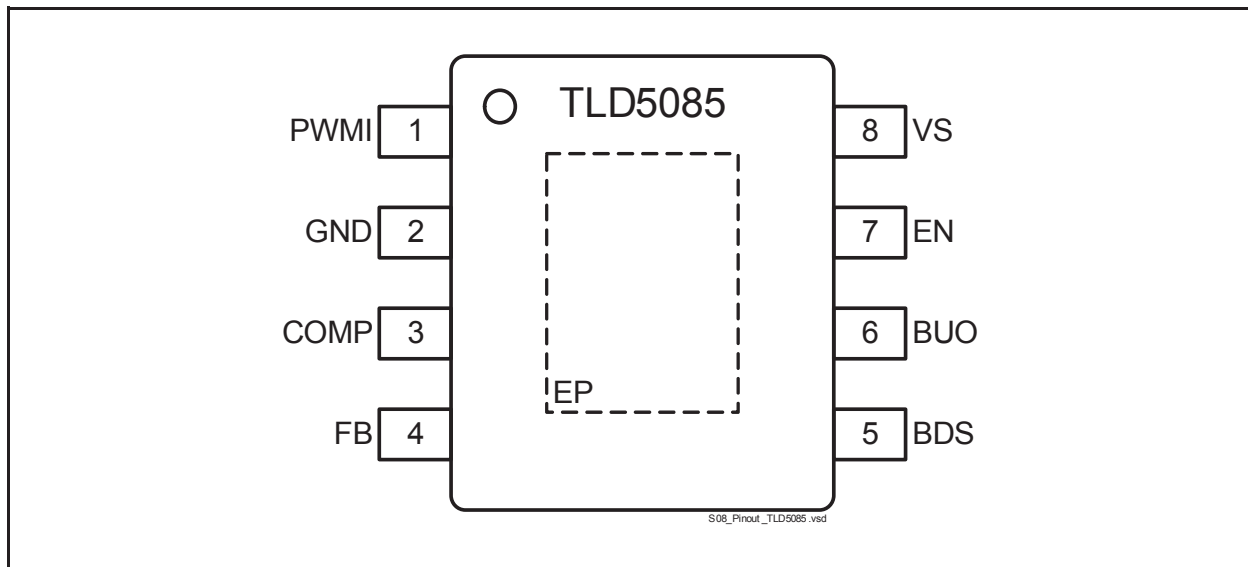


Figure 3-1 Pin Configuration TLD5085EJ

3.2 Pin Definitions and Functions

Table 3-1 Pin Definition and Function

#	Name	Direction	Type	Function
1	PWMI			PWM Input for; Provides LED dimming option. If not used connect to VS.
2	GND			Ground; Connect to system ground.
3	COMP			Compensation Input; Frequency compensation for regulation loop stability. Connect R and C network to pin for stability.
4	FB			Feedback Input; Connect a defined power resistor ($R_{FB}=0.6V/I_{LED}$) to get the needed LED output current. For adjustable output voltages connect this pin via a voltage divider in parallel to the output capacitor.
5	BDS			Buck Driver Supply Input; Connect the bootstrap capacitor between this pin and pin BUO.

Pin Configuration

Table 3-1 Pin Definition and Function

#	Name	Direction	Type	Function
6	BUO			Buck Switch Output; Source of the integrated power-switch. Connect directly to the cathode of external freewheeling diode and the buck circuit inductance.
7	EN			Enable Input; Apply logic high signal to enable the device. A pull down resistor is integrated.
8	VS			Supply Voltage Input; Connect to supply voltage source.
9	EP			Exposed Pad; Connect to heatsink area and GND by low inductance wiring.

4 General Product Characteristics

4.1 Absolute Maximum Ratings

T_j = -40°C to +150°C; all voltages with respect to ground (unless otherwise specified)

Table 4-1 Absolute Maximum Ratings¹⁾

Parameter	Symbol	Values			Unit	Note or Test Condition	Number
		Min.	Typ.	Max.			
Voltages							
PWMI (Pin1) PWM Input	V _{PWMI}	-0.3		45	V		P_4.1.1
COMP (Pin 3) Compensation Input	V _{COMP}	-0.3		5.5	V		P_4.1.2
COMP (Pin 3) Compensation Input	V _{COMP}	-0.3		6.2	V	t < 10s ²⁾	P_4.1.3
FB (Pin 4) Feedback Input	V _{FB}	-0.3		5.5	V		P_4.1.4
BDS (Pin 5) Buck Driver Supply Input	V _{BDS}	V _{BUO} - 0.3		V _{BUO} + 5.5	V		P_4.1.5
BUO (Pin 6) Buck Switch Output	V _{BUO}	-2.0		V _{VS} + 0.3	V		P_4.1.6
EN (Pin 7) Enable Input	V _{EN}	-40		45	V		P_4.1.7
VS (Pin 8) Supply Voltage Input	V _S	-0.3		45	V		P_4.1.8

Temperatures

Junction Temperature	T _j	-40		150	°C		P_4.1.9
Storage Temperature	T _{stg}	-55		150	°C		P_4.1.10

ESD Susceptibility

ESD Resistivity all Pins to GND	V _{ESD}	-2		2	kV	HBM ³⁾	P_4.1.11
---------------------------------	------------------	----	--	---	----	-------------------	----------

- 1) Not subject to production test, specified by design.
- 2) Exposure to those absolute maximum ratings for extended periods of time (t > 10s) may affect device reliability
- 3) ESD susceptibility HBM according to EIA/JESD 22-A 114B (1.5kΩ, 100pF).

Note:

1. Stresses above the ones listed here may cause permanent damage to the device. Exposure to absolute maximum rating conditions for extended periods may affect device reliability.
2. Integrated protection functions are designed to prevent IC destruction under fault conditions described in the data sheet. Fault conditions are considered as “outside” normal operating range. Protection functions are not designed for continuous repetitive operation.

General Product Characteristics

4.2 Functional Range

Table 4-2 Functional Range

Parameter	Symbol	Values			Unit	Note or Test Condition	Number
		Min.	Typ.	Max.			
Supply Voltage	V_S	4.75		45	V		P_4.2.1
Output Voltage adjust range	V_{CC}	0.60		16	V	see Figure 8-2	P_4.2.2
External buck inductor	L_{BU}	18		56	μH	see Figure 8-2 and Figure 8-3	P_4.2.3
External buck capacitor	C_{BU1}	33		120	μF	see Figure 8-2 and Figure 8-3	P_4.2.4
External buck capacitor ESR	ESR_{BU1}	–		0.3	Ω	¹⁾	P_4.2.5
Junction Temperature	T_j	-40		150	°C		P_4.2.6

1) See section [Chapter 8](#) for loop compensation requirements.

Note: Within the functional range the IC operates as described in the circuit description. The electrical characteristics are specified within the conditions given in the related electrical characteristics table.

4.3 Thermal Resistance

Note: This thermal data was generated in accordance with JEDEC JESD51 standards. For more information, go to www.jedec.org.

Table 4-3 Thermal Resistance

Parameter	Symbol	Values			Unit	Note or Test Condition	Number
		Min.	Typ.	Max.			
Junction to Case	R_{thJC}			10	K/W	¹⁾²⁾	P_4.3.1
Junction to Ambient (2s2p)	R_{thJA}		42		K/W	¹⁾³⁾	P_4.3.2

1) Not subject to production test, specified by design.

2) Specified R_{thJC} value is simulated at natural convection on a cold plate setup (all pins and the exposed pad are fixed to ambient temperature). $T_a=25^\circ\text{C}$, Power Switch and freewheeling diode are dissipating 1W.

3) Specified R_{thJA} value is according to Jedec JESD51-2,-7 at natural convection on FR4 2s2p board; The Product (Chip+Package) was simulated on a 76.2 x 114.3 x 1.5 mm board with 2 inner copper layers (2 x 70μm Cu, 2 x 35μm Cu). According to JESD51-5 a thermal via array under the exposed pad contacted the first inner copper layer. $T_a=25^\circ\text{C}$, Power Switch and freewheeling diode are dissipating 1W.

5 Electrical Characteristics

T_j = -40°C to +150°C, all voltages with respect to ground (unless otherwise specified)

5.1 Description

The gate of the power-switch is driven by the Gate driver which is supplied by the external capacitor connected to pin BDS (Buck Driver Supply) using the bootstrap principle.

BDS is the supply pin for the integrated gate driver of the internal power-switch. The power-switch has to be in the RDSon region. If VGS is not high enough, the power-switch can not operate in the RDSon region, which means high power dissipation. An integrated under voltage lockout function (BDS UV-Comparator) supervising the 'bootstrap' capacitor voltage ensures that the device is always driven with a sufficient bootstrap voltage in order to prevent from extensive heat up of the power-switch.

An integrated charge pump supports the gate driver in case of low input supply voltage, small differential voltage between input supply and output voltage at low current and during startup. In order to minimize emission, the charge pump is switched off if the input voltage is sufficient for supplying the bootstrap.

The soft start function generates a defined ramp of the reference voltage during the first 0.5 ms (typ.) after device initialization and if the Device is autorestarting after a thermal shutdown. This function is disabled during the dimming operation via the PWMI-pin.

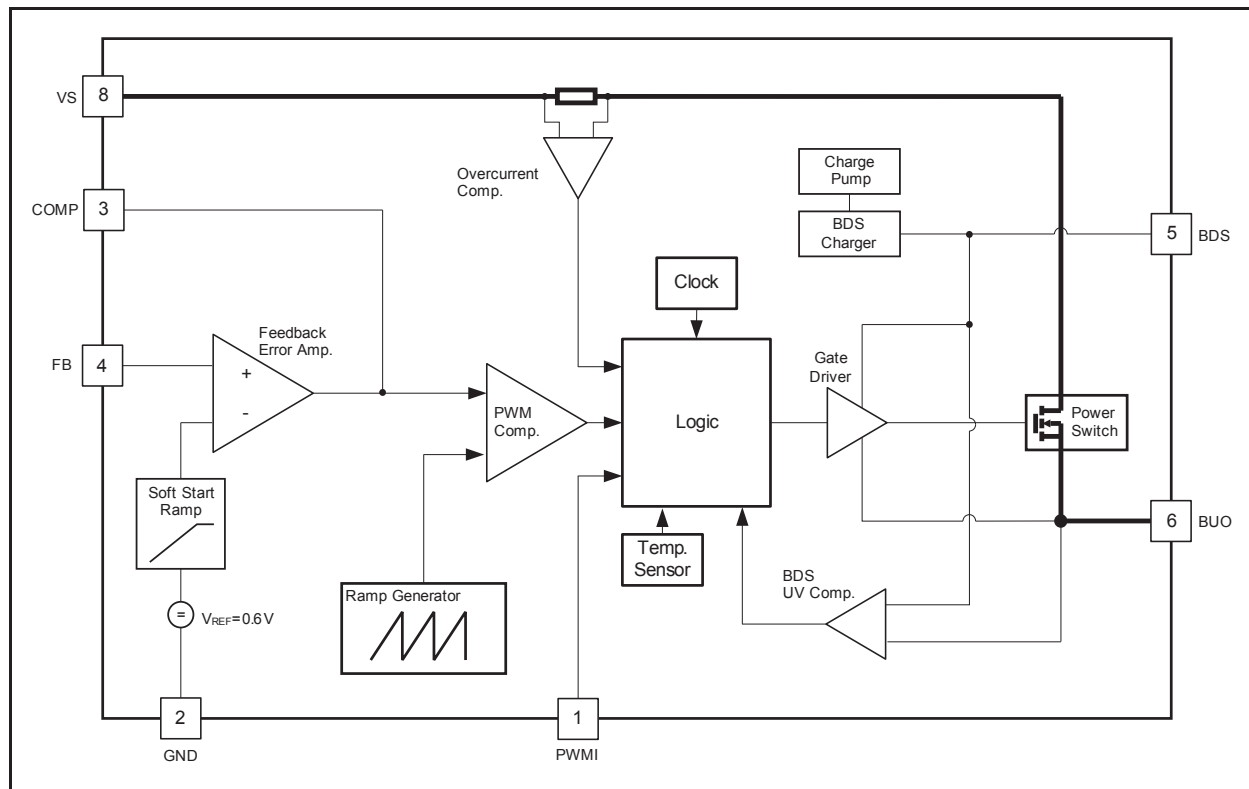


Figure 5-1 Block Diagram Buck Regulator

5.2 Electrical Characteristics

Table 5-1 Electrical Characteristics: Buck Regulator

Parameter	Symbol	Values			Unit	Note or Test Condition	Number
		Min.	Typ.	Max.			
FB input voltage	V_{FB}	0.588	0.60	0.612	V	$V_{EN} = V_S$; $V_S = 12V$ $0.1A < I_{CC} < 1.0A$	P_5.2.1
FB input voltage	V_{FB}	V_{FB}	0.576	0.60	0.624	$V_{EN} = V_S$; $V_S = 12V$ $1mA < I_{CC} < 1.8A$	P_5.2.2
FB input current	I_{FB}	-1	-0.1	0	μA	$V_{FB} = 0.6V$	P_5.2.3
Power-Switch on-resistance	$R_{DS(ON)}$	-	-	500	m Ω	$I_{CC}=300\text{ mA}$; $T_J = 150\text{ }^\circ\text{C max.}$	P_5.2.4
Current transition rise/fall time	t_r	-	50	-	ns	$I_{CC}=1\text{ A}^{1)}$	P_5.2.5
Buck peak over current limit	I_{BUOC}	2.2	-	3.6	A		P_5.2.6
Bootstrap under voltage lockout, turn-off threshold	$V_{BDS,off}$	$V_{BUO} + 3.3$	-	-	V	Bootstrap voltage decreasing	P_5.2.7
Charge pump current	I_{CP}	2	-	-	mA	$V_S = 12V$; $V_{BUO} = V_{BDS} = GND$	P_5.2.8
Charge pump switch-off threshold	$V_{BDS} - V_{BUO}$	-	-	5	V	$(V_{BDS} - V_{BUO})$ increasing	P_5.2.9
Maximum duty cycle	D_{max}	-	-	100	%	¹⁾²⁾	P_5.2.10
Soft start ramp	t_{start}	350	500	750	μs		P_5.2.11
Input under voltage shutdown threshold	$V_{S,off}$	3.75	-	-	V		P_5.2.12
Input voltage startup threshold	$V_{S,on}$	-	-	4.75	V		P_5.2.13
Input under voltage shutdown hysteresis	$V_{S,hyst}$	150	-	-	mV		P_5.2.14

1) Not subject to production test; specified by design.

2) Consider "Chapter 4.2"

6 Enable, Thermal Shutdown and PWM Dimming Function

6.1 Description

Enable Function

With the enable pin (EN) the device can be set in off-state reducing the current consumption to typ. 0.1µA. The enable function features an integrated pull down resistor which ensures that the IC is shut down and the power-switch is off in case the pin EN is not connected.

Device Wake Up Behavior

The device initialization is triggered either by the EN voltage level crossing the turn-on threshold, rising supply voltage (during EN=H), and also when the device restarts after a thermal shutdown. The softstart ramp starts after the BDS external capacitor is charged.

Overtemperature Behaviour

The integrated thermal shutdown function turns the power-switch off in case of overtemperature. The typ. junction shutdown temperature is 175°C, with a min. of 150°C. After cooling down the IC will automatically restart operation. The thermal shutdown is an integrated protection function designed to prevent IC destruction when operating under fault conditions. It must not be used for normal operation.

PWM Dimming Function

The PWMI signal directly controls the gate driver of the integrated power-switch by overriding the internal control signals.

6.2 Electrical Characteristics Enable, Bias, Thermal Shutdown and PWM Dimming

$V_S = 6\text{ V to }40\text{ V}$, $T_j = -40^\circ\text{C to }+150^\circ\text{C}$, all voltages with respect to ground (unless otherwise specified)

Table 6-1 Electrical Characteristics: Enable, Bias, Thermal Shutdown and PWM Dimming

Parameter	Symbol	Values			Unit	Note or Test Condition	Number
		Min.	Typ.	Max.			
Current Consumption, shut down mode	$I_{q,OFF}$	–	0.1	2	μA	$V_{EN} = 0.8\text{V}$; $T_j < 105^\circ\text{C}$; $V_S = 16\text{V}^{1)}$	P_6.2.1
Current Consumption, active mode	$I_{q,ON}$	–	–	7	mA	$V_{EN} = 5.0\text{V}$; $I_{CC} = 0\text{mA}$; $V_S = 16\text{V}$	P_6.2.2
Current Consumption, active mode	$I_{q,ON}$	–	–	10	mA	$V_{EN} = 5.0\text{V}$; $I_{CC} = 1.8\text{A}$; $V_S = 16\text{V}^{1)}$	P_6.2.3
Enable high signal valid	$V_{EN,hi}$	3	–	–	V		P_6.2.4
Enable low signal valid	$V_{EN,lo}$	–	–	0.8	V		P_6.2.5
Enable hysteresis	$V_{EN,HY}$	50	200	400	mV	¹⁾	P_6.2.6
Enable high input current	$I_{EN,hi}$	–	–	30	μA	$V_{EN} = 16\text{V}$	P_6.2.7
Enable low input current	$I_{EN,lo}$	–	0.1	1	μA	$V_{EN} = 0.5\text{V}$	P_6.2.8
PWMI high threshold ²⁾	$V_{PWMI,hi}$	3	–	–	V		P_6.2.9
PWMI low threshold	$V_{PWMI,lo}$	–	–	0.8	V		P_6.2.10
PWMI turn-on delay	$t_{PWM,ON}$	–	–	5	μs	³⁾	P_6.2.11
PWMI turn-off delay	$t_{PWM,OFF}$	–	–	5	μs		P_6.2.12
Over temperature shutdown	$T_{j,sd}$	150	175	190	$^\circ\text{C}$	¹⁾	P_6.2.13
Over temperature shutdown hysteresis	$T_{j,sd,hyst}$	–	15	–	K	¹⁾	P_6.2.14

1) Specified by design. Not subject to production test.

2)

3) At startup current flowing in C_{BU1} , recommended max. PWM frequency $1\text{kHz}@370\text{kHz } f_{sw}$

Oscillator

7 Oscillator

7.1 Description

The oscillator turns on the power-switch with a constant frequency while the buck regulating circuit turns the power-switch off in every cycle with an appropriate time gap depending on the output and input voltage.

The internal sawtooth signal used for the PWM generation has an amplitude proportional to the input supply voltage (feedforward).

7.2 Electrical Characteristics Oscillator

$V_s = 6\text{ V to }40\text{ V}$, $T_j = -40^\circ\text{C to }+150^\circ\text{C}$, all voltages with respect to ground (unless otherwise specified)

Table 7-1 Electrical Characteristics: Buck Regulator

Parameter	Symbol	Values			Unit	Note or Test Condition	Number
		Min.	Typ.	Max.			
Oscillator Frequency	f_{osc}	330	370	420	kHz		P_7.2.1

8 Application Information

Note: The following information is given as a hint for the implementation of the device only and shall not be regarded as a description or warranty of a certain functionality, condition or quality of the device.

8.1 Frequency Compensation

The stability of the output voltage can be achieved with a simple RC connected between pin COMP and GND. The standard configuration using the switching frequency of the internal oscillator is a ceramic capacitor $C_{COMP} = 22\text{nF}$ and $R_{COMP} = 22\text{k}\Omega$. By slight modifications to the compensation network the stability can be optimized for different types of buck capacitors (ceramic or tantalum).

The compensation network is essential for the control loop stability. Leaving pin COMP open might lead to an instable operation.

8.2 Compensating a Tantalum Buck Capacitor C_{BU1}

The TLD5085EJ control loop is optimized for ceramic buck capacitors CBU. In order to maintain stability also for tantalum capacitors with ESR up to $300\text{m}\Omega$, an additional compensation capacitance C_{COMP2} at pin COMP to GND is required. Its value is calculated as follows:

(8.1)

$$C_{COMP2} = \frac{C_{BU} \cdot ESR(C_{BU})}{R_{COMP}}$$

whereby C_{COMP2} needs to stay below 5nF .

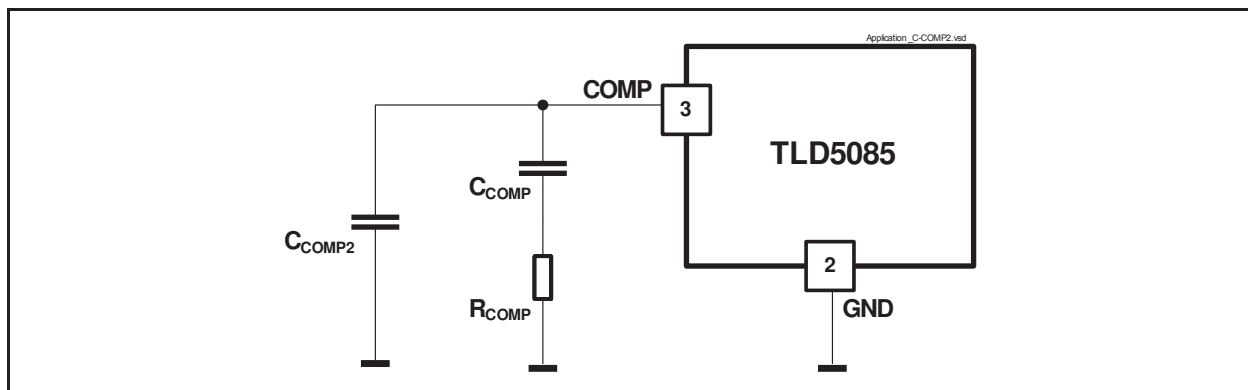


Figure 8-1 High-ESR Buck Capacitor Compensation

8.3 Freewheeling Diode

In order to minimize losses and for fast recovery, a Schottky freewheeling diode is required. Disconnecting the freewheeling diode during operation might lead to destruction of the IC.

8.3.1 Constant Output Voltage Mode for LED Applications

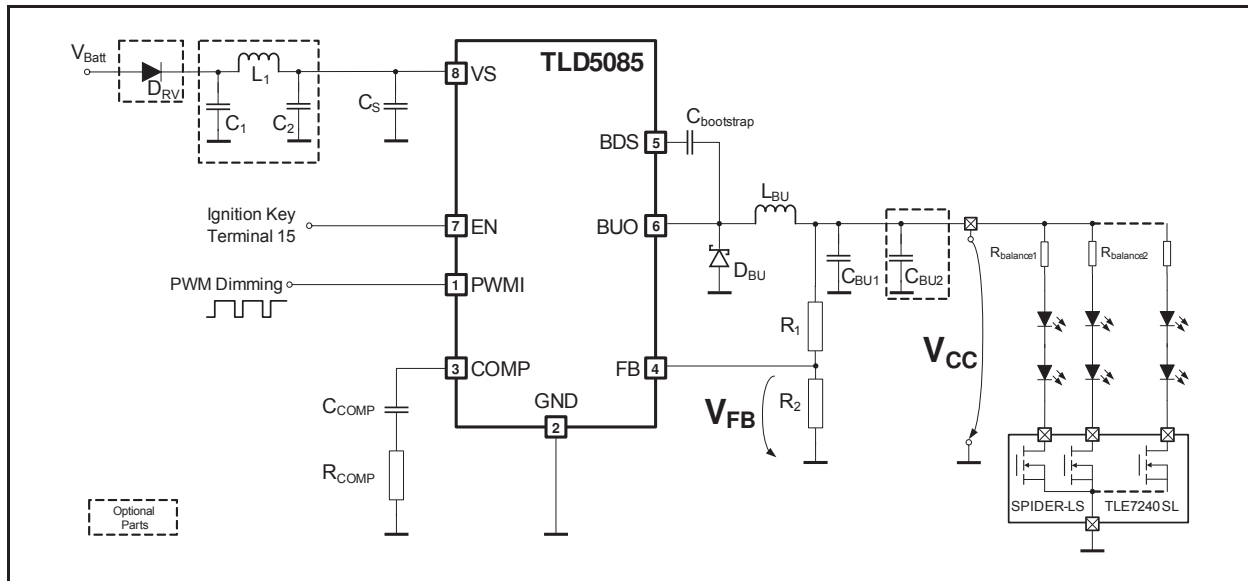


Figure 8-2 Application Diagram (constant voltage mode)

Note: This is a very simplified example of an application circuit. The function must be verified in the real application

The output voltage of the TLD5085EJ can be programmed by a voltage divider connected to the feedback pin FB. The divider cross current should be 300 μ A at minimum, therefore the maximum R_2 is calculated as follows:

$$R_2 \leq \frac{V_{FB}}{I_{R2}} \rightarrow R_2 \leq \frac{0.6V}{300 \mu A} = 2 k\Omega \quad (8.2)$$

For the desired output voltage level V_{CC} , R_1 is calculated thus (neglecting the small FB input current):

$$R_1 = R_2 \left(\frac{V_{CC}}{V_{FB}} - 1 \right) \quad (8.3)$$

8.3.2 Constant Current Mode for LED Applications

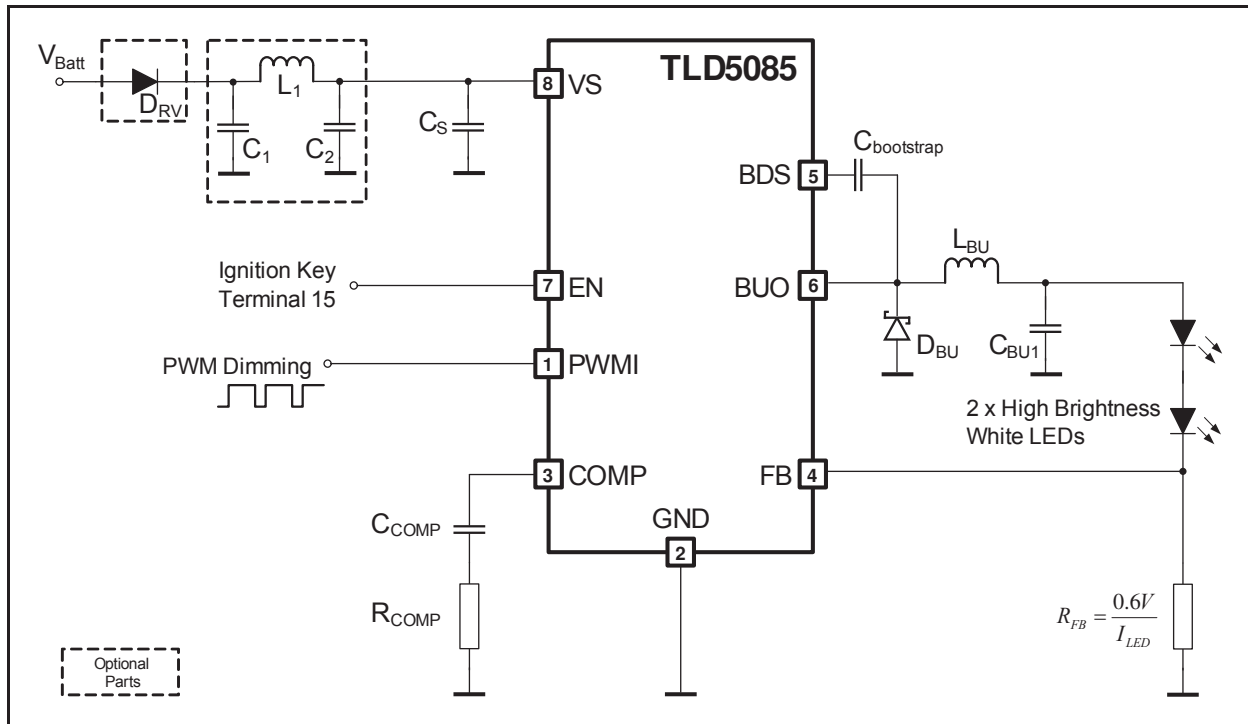


Figure 8-3 Application Diagram TLD5085 as LITIX™ Power(constant current mode)

Note: This is a very simplified example of an application circuit. The function must be verified in the real application

9 Package Outlines

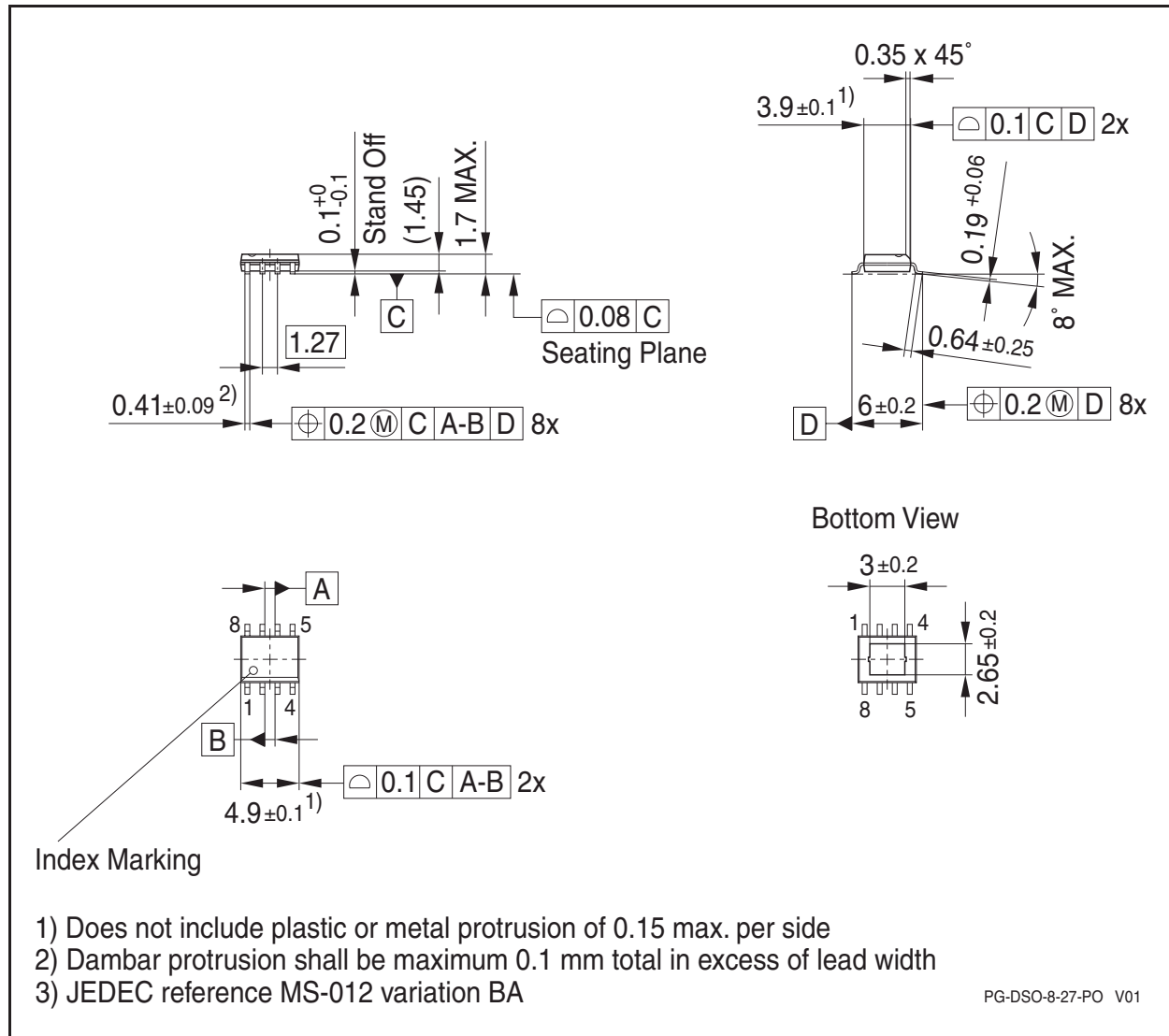


Figure 9-1 Outline PG-DSO-8 (e-Pad)

Green Product (RoHS Compliant)

To meet the world-wide customer requirements for environmentally friendly products and to be compliant with government regulations the device is available as a green product. Green products are RoHS-Compliant (i.e. Pb-free finish on leads and suitable for Pb-free soldering according to IPC/JEDEC J-STD-020).

Revision History			
Revision 1.1, 2015-03-10			
Page or Item	Subjects (major changes since previous revision)	Responsible	Date
Rev1.1	Initial Data Sheet for TLD5085EJ		2009-12-16

Trademarks of Infineon Technologies AG

AURIX™, C166™, CanPAK™, CIPOS™, CoolGaN™, CoolMOS™, CoolSET™, CoolSiC™, CORECONTROL™, CROSSAVE™, DAVE™, DI-POL™, DrBLADE™, EasyPIM™, EconoBRIDGE™, EconoDUAL™, EconoPACK™, EconoPIM™, EiceDRIVER™, eupec™, FCOS™, HITFET™, HybridPACK™, Infineon™, ISOFACE™, IsoPACK™, i-Wafer™, MIPAQ™, ModSTACK™, my-d™, NovalithIC™, OmniTune™, OPTIGA™, OptiMOS™, ORIGA™, POWERCODE™, PRIMARION™, PrimePACK™, PrimeSTACK™, PROFET™, PRO-SIL™, RASIC™, REAL3™, ReverSave™, SatRIC™, SIEGET™, SIPMOS™, SmartLEWIS™, SOLID FLASH™, SPOC™, TEMPFET™, thinQ!™, TRENCHSTOP™, TriCore™.

Other Trademarks

Advance Design System™ (ADS) of Agilent Technologies, AMBA™, ARM™, MULTI-ICE™, KEIL™, PRIMECELL™, REALVIEW™, THUMB™, µVision™ of ARM Limited, UK. ANSI™ of American National Standards Institute. AUTOSAR™ of AUTOSAR development partnership. Bluetooth™ of Bluetooth SIG Inc. CAT-ig™ of DECT Forum. CIPURSE™ of OSPT Alliance. COLOSSUS™, FirstGPS™ of Trimble Navigation Ltd. EMV™ of EMVCo, LLC (Visa Holdings Inc.). EPCOS™ of Epcos AG. FLEXGO™ of Microsoft Corporation. HYPERTERMINAL™ of Hilgraeve Incorporated. MCS™ of Intel Corp. IEC™ of Commission Electrotechnique Internationale. IrDA™ of Infrared Data Association Corporation. ISO™ of INTERNATIONAL ORGANIZATION FOR STANDARDIZATION. MATLAB™ of MathWorks, Inc. MAXIM™ of Maxim Integrated Products, Inc. MICROTEC™, NUCLEUS™ of Mentor Graphics Corporation. MIPI™ of MIPI Alliance, Inc. MIPS™ of MIPS Technologies, Inc., USA. muRata™ of MURATA MANUFACTURING CO., MICROWAVE OFFICE™ (MWO) of Applied Wave Research Inc., OmniVision™ of OmniVision Technologies, Inc. Openwave™ of Openwave Systems Inc. RED HAT™ of Red Hat, Inc. RFMD™ of RF Micro Devices, Inc. SIRIUS™ of Sirius Satellite Radio Inc. SOLARIS™ of Sun Microsystems, Inc. SPANSION™ of Spansion LLC Ltd. Symbian™ of Symbian Software Limited. TAIYO YUDEN™ of Taiyo Yuden Co. TEAKLITE™ of CEVA, Inc. TEKTRONIX™ of Tektronix Inc. TOKO™ of TOKO KABUSHIKI KAISHA TA. UNIX™ of X/Open Company Limited. VERILOG™, PALLADIUM™ of Cadence Design Systems, Inc. VLYNQ™ of Texas Instruments Incorporated. VXWORKS™, WIND RIVER™ of WIND RIVER SYSTEMS, INC. ZETEX™ of Diodes Zetex Limited.

Trademarks Update 2014-11-12

www.infineon.com

Edition 2015-03-10

Published by

**Infineon Technologies AG
81726 Munich, Germany**

© 2014 Infineon Technologies AG.

All Rights Reserved.

Do you have a question about any aspect of this document?

Email: erratum@infineon.com

**Document reference
Doc_Number**

Legal Disclaimer

The information given in this document shall in no event be regarded as a guarantee of conditions or characteristics. With respect to any examples or hints given herein, any typical values stated herein and/or any information regarding the application of the device, Infineon Technologies hereby disclaims any and all warranties and liabilities of any kind, including without limitation, warranties of non-infringement of intellectual property rights of any third party.

Information

For further information on technology, delivery terms and conditions and prices, please contact the nearest Infineon Technologies Office (www.infineon.com).

Warnings

Due to technical requirements, components may contain dangerous substances. For information on the types in question, please contact the nearest Infineon Technologies Office. Infineon Technologies components may be used in life-support devices or systems only with the express written approval of Infineon Technologies, if a failure of such components can reasonably be expected to cause the failure of that life-support device or system or to affect the safety or effectiveness of that device or system. Life support devices or systems are intended to be implanted in the human body or to support and/or maintain and sustain and/or protect human life. If they fail, it is reasonable to assume that the health of the user or other persons may be endangered.