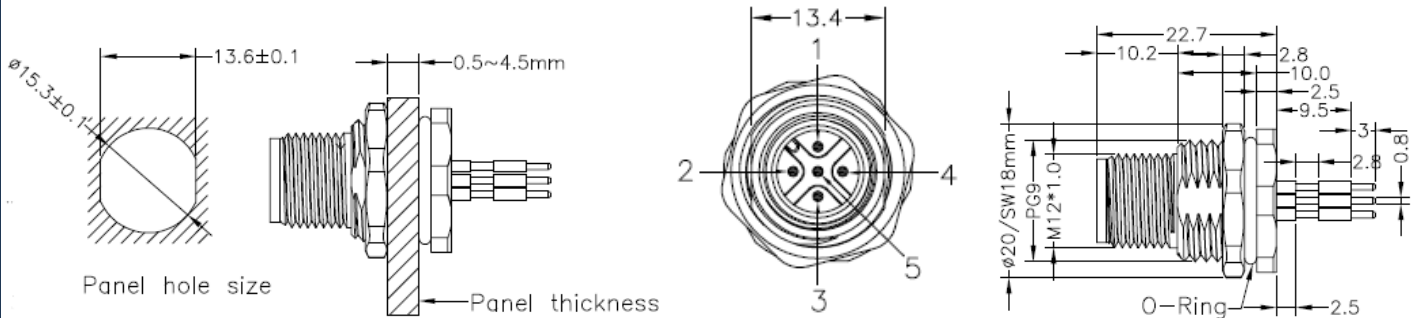


AI-T00209

(Receptacle PCB Mount M12 Rear Mount, 5-Position Male Straight, PG9 Threads)



- Mueller's AI-T00209 is a PCB mountable connector that has a 5-position rear mount M12 Male receptacle.
- Shell size for connector: M12 (A Coding)
- Shell: 18x21.5mm PG9 threaded rear mount
 - Material: Nickel Plated Brass
- Solder Pins – gold plated brass
- Rating:
 - Voltage: 60V AC/DC
 - Current: 4 Amps
 - Ambient Temperature: -40°C to 85°C
- Standard: IEC 61076-2-101
- Waterproof: IP67/IP68
- RoHS 3 Compliant