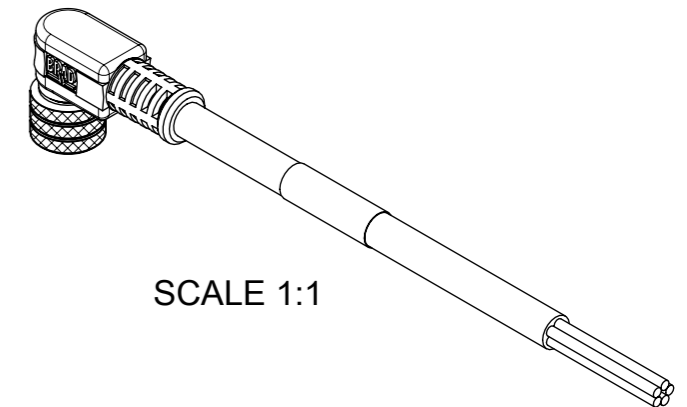
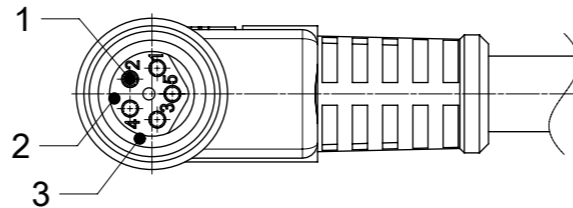
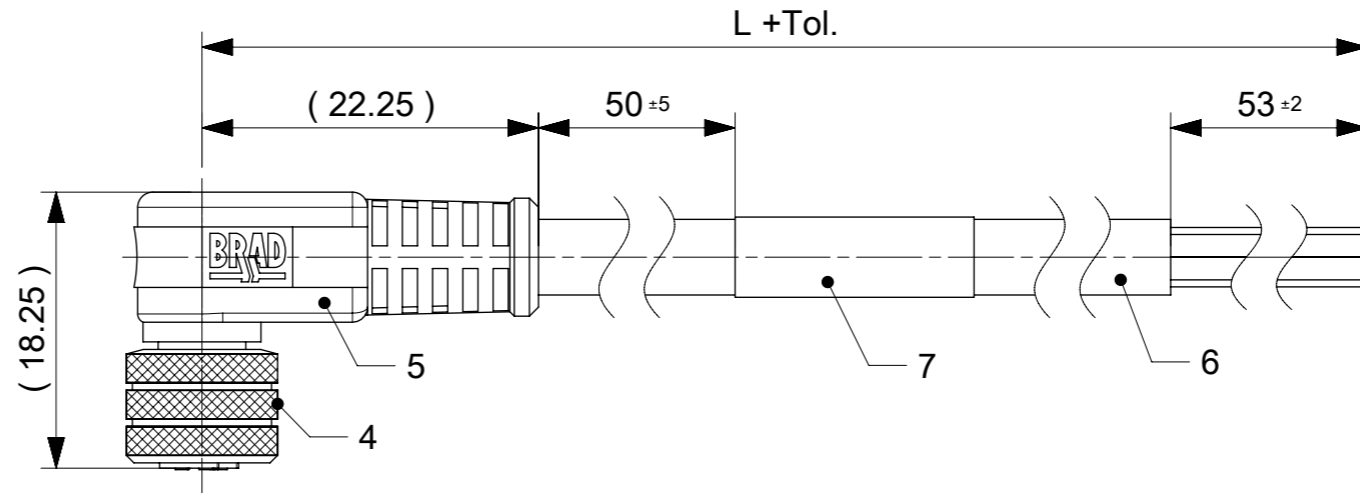
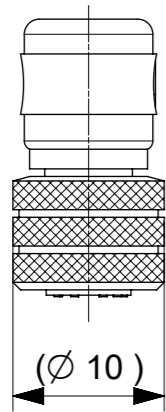


FEMALE PLUG M8 90° ANGLED



NOTES:
 RATED VOLTAGE: 3 contacts 60V AC/DC
 4 and 5 contacts 30V AC/DC
 CURRENT RATING: 3, 4, 5 contacts 3A
 PROTECTION CLASS: IP 67
 TEMPERATURE: -25°C / +80°C

CONTACT POSITION FRONT VIEW:

3 CONTACTS		4 CONTACTS		5 CONTACTS	
PIN 3	PIN 1	PIN 3	PIN 1	PIN 3	PIN 1
PIN 4	PIN 2	PIN 4	PIN 2	PIN 4	PIN 2
PIN 5				PIN 5	
PIN	WIRE	PIN	WIRE	PIN	WIRE
1	BROWN	1	BROWN	1	BROWN
2	-	2	WHITE	2	WHITE
3	BLUE	3	BLUE	3	BLUE
4	BLACK	4	BLACK	4	BLACK
				5	GREY

CODING ACCORDING TO IEC 61076-2-104

FOR OPTIONS SEE - NUMERICAL CODE - ON SHEET 2

ITEM	QTY.	DESCRIPTION	MATERIAL	FINISH
7	1	LABEL	VINYL	-
	-	PRINTING FOR CABLES IXX	-	-
6	-	CABLE	SEE SHEET 2	-
5	-	OVERMOULDING BLACK	TPU	-
4	1	NUT M8 FEMALE	BRASS	NICKEL
3	1	O-RING RED	FKM	-
2	1	INSERT FEMALE BLACK	TPU	-
1	3 / 4 / 5	CONTACT M8 FEMALE	BRASS	SELECTIVE Au OVER Ni

THIS DRAWING CONTAINS INFORMATION THAT IS PROPRIETARY TO MOLEX ELECTRONIC TECHNOLOGIES, LLC AND SHOULD NOT BE USED WITHOUT WRITTEN PERMISSION

DIMENSION UNITS	SCALE	CURRENT REV DESC: REMOVED OBSOLETE PART NUMBERS AS PER PCN#510807.		molex	
mm	2:1				
GENERAL TOLERANCES (UNLESS SPECIFIED)		EC NO: 726454		CSE M8 XP AC BC RA XM SE	
ANGULAR TOL ± 1.0°		DRWN: LIKITV 2022/10/26		PRODUCT CUSTOMER DRAWING	
4 PLACES ±		CHK'D: GGA 2022/11/30		DOCUMENT NUMBER	
3 PLACES ±		APPR: GGA 2022/11/30		1200868179	
2 PLACES ± 0.05		INITIAL REVISION:		DOC TYPE	
1 PLACE ± 0.3		DRWN: FGAIK 2016/11/02		PSD	
0 PLACES ± 0.5		APPR: RSILLER 2016/11/14		DOC PART	
DRAFT WHERE APPLICABLE MUST REMAIN WITHIN DIMENSIONS		THIRD ANGLE PROJECTION		REVISION	
		DRAWING		A5	
		SERIES		SHEET NUMBER	
		A3-SIZE 120086		1 OF 3	
		MATERIAL NUMBER		CUSTOMER	
		GENERAL MARKET			

ENGINEERING NO. - NUMERICAL CODE (Available parts see PART LIST table. Other parts available upon request).

OPTIONS

4 0 X 0 0 1 X X X M X X X X X

40=Nano-Change
M8x1
Single ended

Poles:
3=3 Contacts
4=4 Contacts
5=5 Contacts

Head style:
001=Plug Female Angled

Cable type: See Table

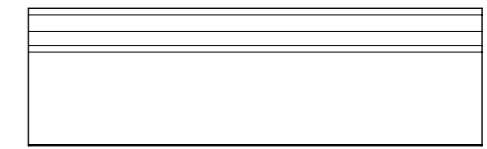
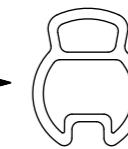
Units:
M=Meter

Length
Examples:
005=0.5 unit
010=1 unit
100=10 units

Overmold color:
Blank (Standard)=Black
G=Black / Y=Yellow
For cables K05, A10 = Yellow

Nut:
Blank (standard)=Knurled Brass Ni Plated
1=Stainless Steel
7=Teflon coat

H= 2 pcs. of I/D Carrier PVC Transparent
(Cables Ixx & P82 always with
2 pcs. of I/D Carrier)



CABLE INFORMATION

CABLE TYPE	NO. OF WIRES	CROSS SECTION	CABLE JACKET	UL	CSA	TEMP. RATING	STATIC: TEMP. / BENDING RADIUS	DYNAMIC: TEMP. / BENDING RADIUS	DRAG CHAIN	SHIELD
A10	4	0.25mm ²	PVC YELLOW	UL 2661/1731	I/II A/B 105°C/300V	105°C	-	-	-	NO
E02	3 / 4 / 5	0.25mm ²	PVC BLACK	UL 2464/1729	C22.2 I/II A/B 80°C/300V	-	-30°C to +80°C, 10xO.D.	-10°C to +80°C, 15xO.D.	-	NO
H08	3 / 4 / 5	0.25mm ²	PUR BLACK LS0H	UL 21198/10493	C22.2 I/II A/B 80°C/300V	-	-40°C to +80°C, 5xO.D.	-25°C to +80°C, 10xO.D.	2 000 000 cycles, Temp max 60°C	NO
H09	4	0.34mm ²	PUR BLACK LS0H	UL 21198/10493	C22.2 I/II A/B 80°C/300V	-	-40°C to +80°C, 5xO.D.	-25°C to +80°C, 10xO.D.	2 000 000 cycles, Temp max 60°C	NO
I02	3 / 4	0.25mm ²	PVC (CEI) GREY	-	-	-	-30°C to +70°C	-5°C to +70°C	-	NO
K05	3	0.34mm ²	TPE YELLOW	UL ITC OR PLTC	I/II A/B 90°C/300V	105°C	-	-	-	NO
P02	3 / 4 / 5	0.25mm ²	PUR / PVC BLACK	-	-	-	-30°C to +80°C, 7xO.D.	-5°C to +80°C, 15xO.D.	-	NO
P82	3 / 4	0.34mm ²	PUR ORANGE	-	-	-50°C to +105°C	-	-	-	NO

CABLE LENGTH TOLERANCES

OVER [mm]	UP TO AND INCLUDING [mm]	TOLERANCES [mm]
0	305	+19
305	915	+45
915	1830	+56
1830	3660	+89
3660	7320	+165
7320	14640	+317
14640	30500	+610
30500	>	+2% of finished length

THIS DRAWING CONTAINS INFORMATION THAT IS PROPRIETARY TO MOLEX ELECTRONIC TECHNOLOGIES, LLC AND SHOULD NOT BE USED WITHOUT WRITTEN PERMISSION

DIMENSION UNITS	SCALE	CURRENT REV DESC: REMOVED OBSOLETE PART NUMBERS AS PER PCN#510807.		molex	
mm	1:1				
GENERAL TOLERANCES (UNLESS SPECIFIED)		EC NO: 726454		CSE M8 XP AC BC RA XM SE	
ANGULAR TOL	± 1.0 °	DRWN: LIKITV 2022/10/26		PRODUCT CUSTOMER DRAWING	
4 PLACES	±	CHK'D: GGA 2022/11/30		DOCUMENT NUMBER	
3 PLACES	±	APPR: GGA 2022/11/30		1200868179	
2 PLACES	± 0.05	INITIAL REVISION:		DOC TYPE	
1 PLACE	± 0.3	DRWN: FGAIK 2016/11/02		PSD	
0 PLACES	± 0.5	APPR: RSILLER 2016/11/14		DOC PART	
DRAFT WHERE APPLICABLE MUST REMAIN WITHIN DIMENSIONS		THIRD ANGLE PROJECTION		REVISION	
		DRAWING		A5	
		SERIES		SHEET NUMBER	
		A3-SIZE 120086		2 OF 3	
		MATERIAL NUMBER		CUSTOMER	
		GENERAL MARKET			

PART LIST

No.	MOLEX PN	Engineering No.	L [mm]
1	1200270097	403001I02M030	3000
2	1200270098	403001I02M050	5000
3	1200270161	404001I02M030	3000
4	1200270162	404001I02M050	5000
5	1200270163	404001I02M100	10000
6	1200270474	403001I02M100	10000
7	1200271062	403001P82M050	5000
8	1200271181	403001P82M020	2000
9	1200271333	403001H08M020G	2000
10	1200271415	403001H08M050G	5000
11	1200860177	404001A10M040	4000
12	1200860178	404001A10M050	5000
13	1200860180	404001A10M100	10000
14	1200860352	403001K05M100	10000
15	1200868004	403001H08M100	10000
16	1200868021	403001E02M030	3000
17	1200868044	403001P82M0107	1000
18	1200868054	403001H08M050	5000
19	1200868055	404001H08M010	1000
20	1200868057	404001E02M150	15000
21	1200868062	403001P02M100	10000
22	1200868077	404001H08M100	10000
23	1200868082	403001P02M150	15000
24	1200868091	403001H08M030	3000
25	1200868155	403001P02M020	2000
26	1200868159	404001P02M020	2000
27	1200868160	404001P02M100	10000
28	1200868178	405001E02M020	2000
29	1200868179	405001E02M050	5000
30	1200868180	405001E02M100	10000
31	1200868208	404001I02M020	2000
32	1200868210	403001H08M015	1500
33	1200868211	404001H08M050	5000

No.	MOLEX PN	Engineering No.	L [mm]
34	1200868223	405001P02M050	5000
35	1200868293	403001E02M010	1000
36	1200868294	403001E02M060	6000
37	1200868295	403001E02M150	15000
38	1200868296	403001E02M200	20000
39	1200868297	403001E02M250	25000
40	1200868298	403001I02M005	500
41	1200868299	403001I02M006	600
42	1200868300	403001I02M010	1000
43	1200868301	403001I02M025	2500
44	1200868356	404001E02M010	1000
45	1200868357	404001E02M0201	2000
46	1200868359	404001E02M050H	5000
47	1200868360	404001E02M200	20000
48	1200868361	404001E02M030	3000
49	1200868362	404001E02M050G	5000
50	1200868363	404001H08M030	3000
51	1200868364	404001I02M150	15000
52	1200868365	404001P02M150	15000
53	1200868391	405001P02M020	2000
54	1200868396	405001H08M020	2000
55	1200868406	405001H08M050	5000
56	1200868407	405001H08M100	10000
57	1200868422	403001E02M0501	5000
58	1200868441	403001I02M020Y	2000
59	1200868448	403001E02M050Y	5000
60	1200868449	403001E02M100Y	10000
61	1200868457	404001E02M050Y	5000
62	1200868458	404001E02M100Y	10000
63	1200868459	404001I02M050Y	5000
64	1200868462	403001P82M050Y	5000
65	1200868464	403001H08M100Y	10000
66	1200868465	403001P82M0107Y	1000
67	1200868466	403001H08M050Y	5000

No.	MOLEX PN	Engineering No.	L [mm]
68	1200868484	403001I02M050Y	5000
69	1200868485	403001I02M100Y	10000
70	1200868497	403001H08M010	1000
71	1200868516	403001E02M300	30000
72	1200868519	403001P02M010	1000
73	1200868533	404001P02M010	1000
74	1200868589	403001P02M1001	10000
75	1200868592	403001P02M003	300
76	1200868593	403001P02M006	600
77	1200868594	403001P02M009	900
78	1200868597	403001H08M010Y	1000
79	1200868727	404001H09M100	10000
80	1200868728	404001H09M200	20000
81	1200868830	404001H09M050	5000
82	1200868848	405001H08M010	1000
83	1200868856	405001E02M010	1000
84	1200270090	403001E02M020	2000
85	1200270092	403001E02M050	5000
86	1200270093	403001E02M100	10000
87	1200270152	404001E02M020	2000
88	1200270153	404001E02M050	5000
89	1200270154	404001E02M100	10000
90	1200271328	404001H08M020	2000
91	1200868007	403001P82M010	1000
92	1200868052	403001H08M020	2000
93	1200868081	404001P02M050	5000
94	1200868089	403001P02M050	5000

No.	MOLEX PN	Engineering No.	L [mm]

DOCUMENT STATUS	P1	RELEASE DATE	2022/11/30	11:33:53
-----------------	----	--------------	------------	----------

THIS DRAWING CONTAINS INFORMATION THAT IS PROPRIETARY TO MOLEX ELECTRONIC TECHNOLOGIES, LLC AND SHOULD NOT BE USED WITHOUT WRITTEN PERMISSION

DIMENSION UNITS	SCALE	CURRENT REV DESC: REMOVED OBSOLETE PART NUMBERS AS PER PCN#510807.		molex		
mm	1:1			CSE M8 XP AC BC RA XM SE		
GENERAL TOLERANCES (UNLESS SPECIFIED)				PRODUCT CUSTOMER DRAWING		
ANGULAR TOL	±	1.0 °				
4 PLACES	±		EC NO: 726454			
3 PLACES	±		DRWN: LIKITV	2022/10/26		
2 PLACES	±	0.05	CHK'D: GGA	2022/11/30		
1 PLACE	±	0.3	APPR: GGA	2022/11/30		
0 PLACES	±	0.5	INITIAL REVISION:			
DRAFT WHERE APPLICABLE MUST REMAIN WITHIN DIMENSIONS			DRWN: FGAIK	2016/11/02	DOCUMENT NUMBER	1200868179
			APPR: RSILLER	2016/11/14	DOC TYPE	PSD
			THIRD ANGLE PROJECTION	DRAWING	DOC PART	000
			⊕	SERIES	REVISION	A5
				MATERIAL NUMBER		
				CUSTOMER		
						SHEET NUMBER
						3 OF 3