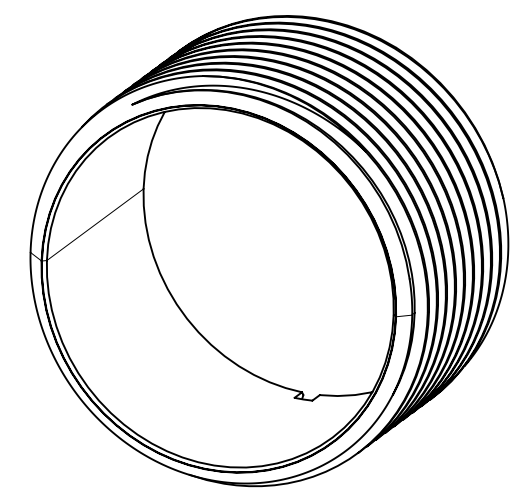
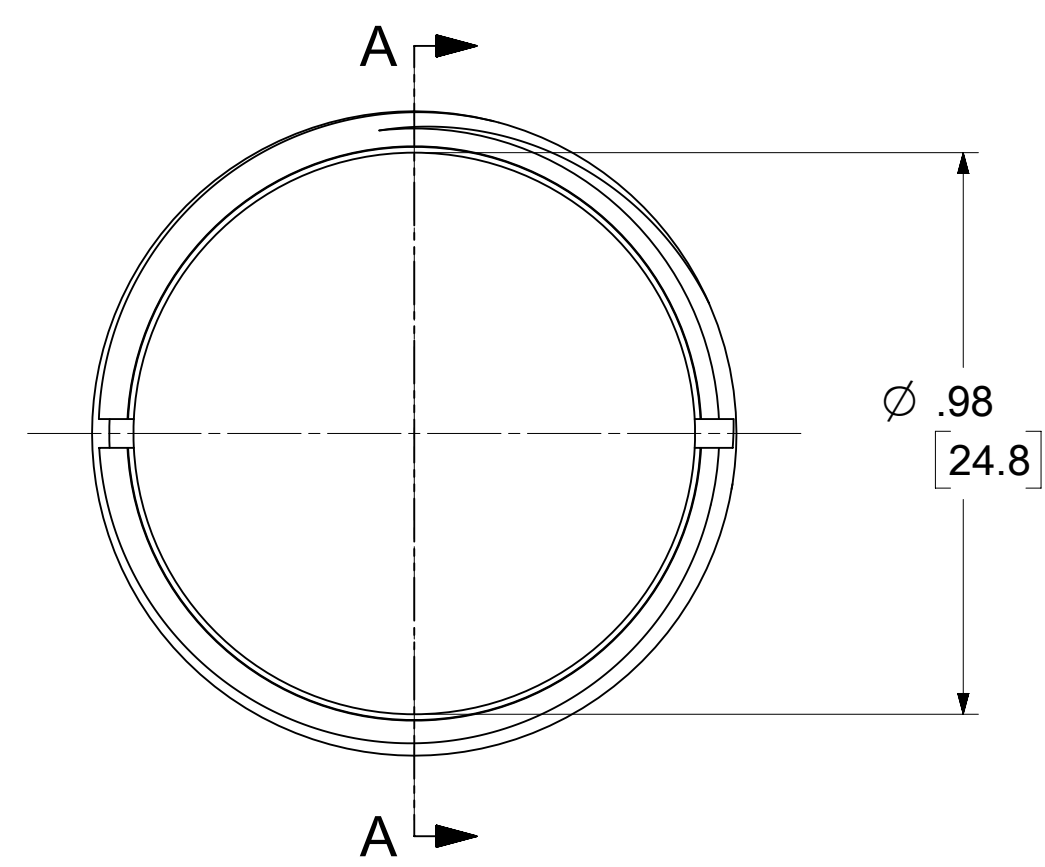
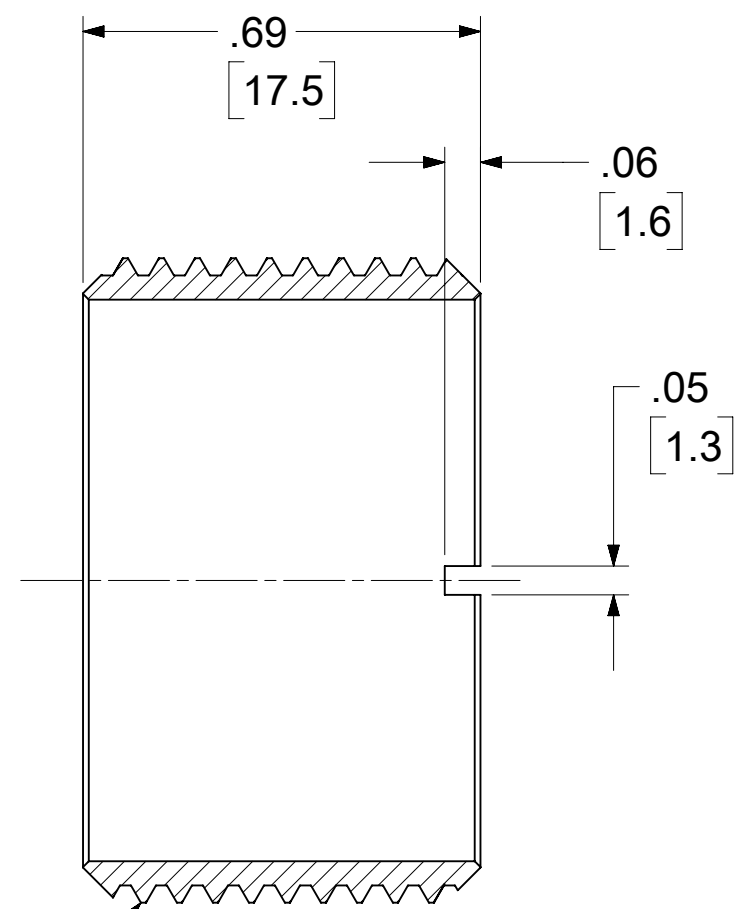


MATERIAL NO.	ENGINEERING NO.	FINISH	MATERIAL
1302011228	55-0496	CLEAR ANODIZE	ALUMINUM
1302011229	55-0496SS	PASSIVATED	ST. STEEL



SCALE 2:1



SECTION A-A

1 1/8-16 UN-2A

NOTE: (C)  
ALL DIMENSIONS ARE FOR REFERENCE UNLESS TOLERANCED OR OTHERWISE NOTED

THIS DRAWING CONTAINS INFORMATION THAT IS PROPRIETARY TO MOLEX ELECTRONIC TECHNOLOGIES, LLC AND SHOULD NOT BE USED WITHOUT WRITTEN PERMISSION									
FUNCTIONAL SYMBOLS	DIMENSION UNITS	SCALE	CURRENT REV DESC: NOTE ADDED						
$\frac{E}{A} = 0$	INCH/MM	2:1	<b>molex</b> MINI-CHANGE THREADED ADAPTER C-SIZE, 1-1/8 THD PRODUCT CUSTOMER DRAWING						
$\frac{E}{E} = 0$	GENERAL TOLERANCES (UNLESS SPECIFIED)								
$\frac{E}{P} = 0$	MM	INCH							
DIVISIONAL SYMBOLS	4 PLACES ±	±							
	3 PLACES ±	±	EC NO: 701162	2022/01/13	DOCUMENT NUMBER: SD-130201-228 DOC TYPE: PSD DOC PART: 001 REVISION: C				
	2 PLACES ±	±	DRWN: AKABADI	2022/03/30					
	1 PLACE ±	±	CHKD: RSTONE	2022/04/08					
	0 PLACES ±	±	APPR: BWOODMAN	2022/04/08					
	ANGULAR TOL ± °		INITIAL REVISION:		MATERIAL NUMBER: SEE TABLE CUSTOMER: GENERAL MARKET SHEET NUMBER: 1 OF 1				
	DRAFT WHERE APPLICABLE MUST REMAIN WITHIN DIMENSIONS		DRWN: BRUPERT	2009/08/24					
			APPR: JFMURPHY	2009/08/27					
			THIRD ANGLE PROJECTION	DRAWING	SERIES				
				B-SIZE	130201				

DOCUMENT STATUS	P1	RELEASE DATE	2022/04/08	14:05:57
-----------------	----	--------------	------------	----------